



Electronic Service Manuals

This electronic document is provided as a service to our customers. We do not create the contents of the information contained in this document. Should you have detailed questions pertaining to the information contained in this document, you may contact Michco, or the manufacturer which provided the original information in this electronic deliverable. Michco's only part in this electronic deliverable was the electronic assembly process. By providing this manual on line we are not guaranteeing parts availability.

You may contact Michco through the following methods:

Phone (517) 484-9312 or (800) 331-3339

2011 N. High St. -- Lansing, Michigan -- 48906

Fax: (517) 484-9836

Email: CustServe@Michco.com

Web site: www.Michco.Com

Parts Web site: www.FloorMachineParts.Com

Order Parts on Line at:

www.FloorMachineParts.Com

Directly to Parts & Service:

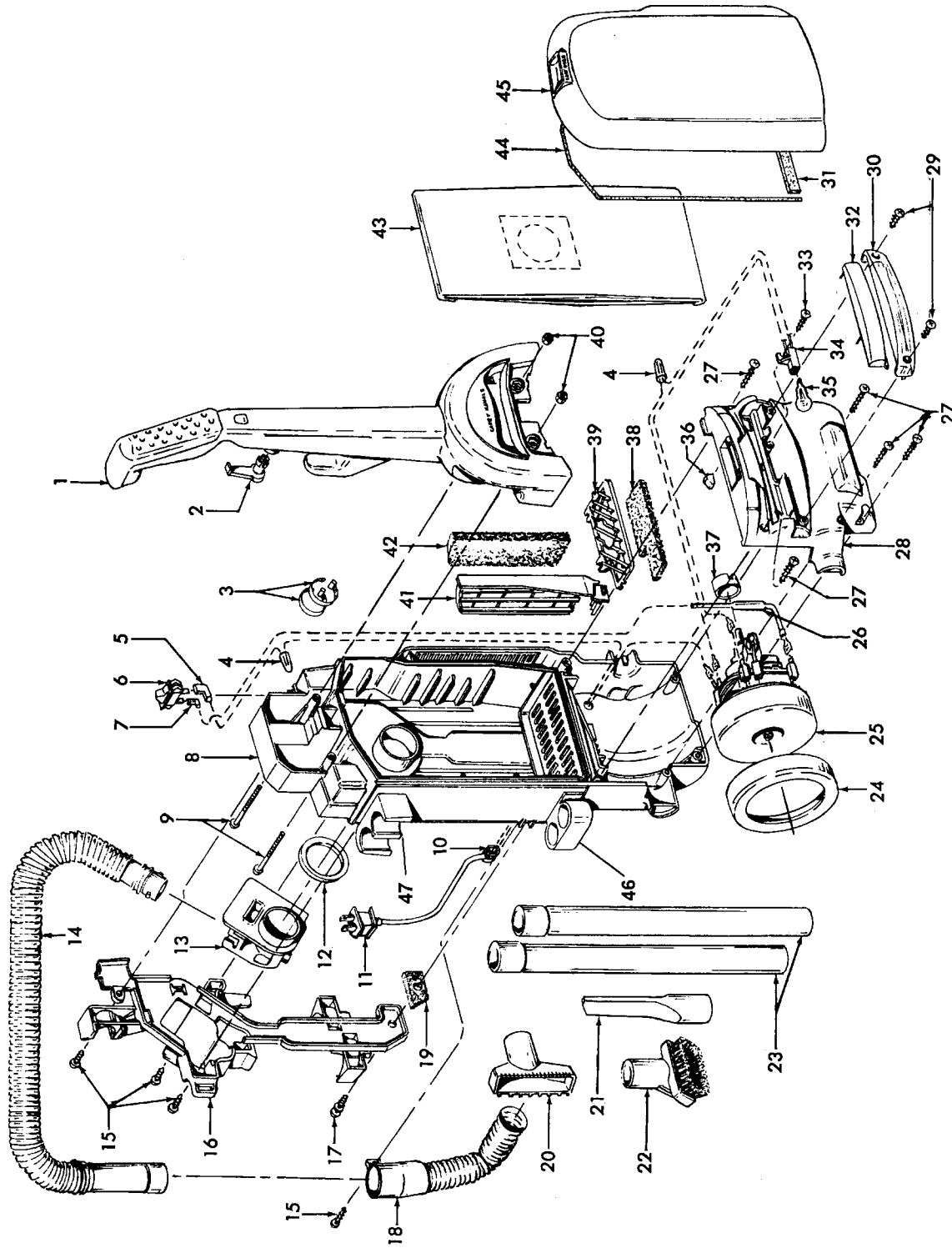
By Email: **Shop@Michco.com**

By Fax: (517) 702-2041

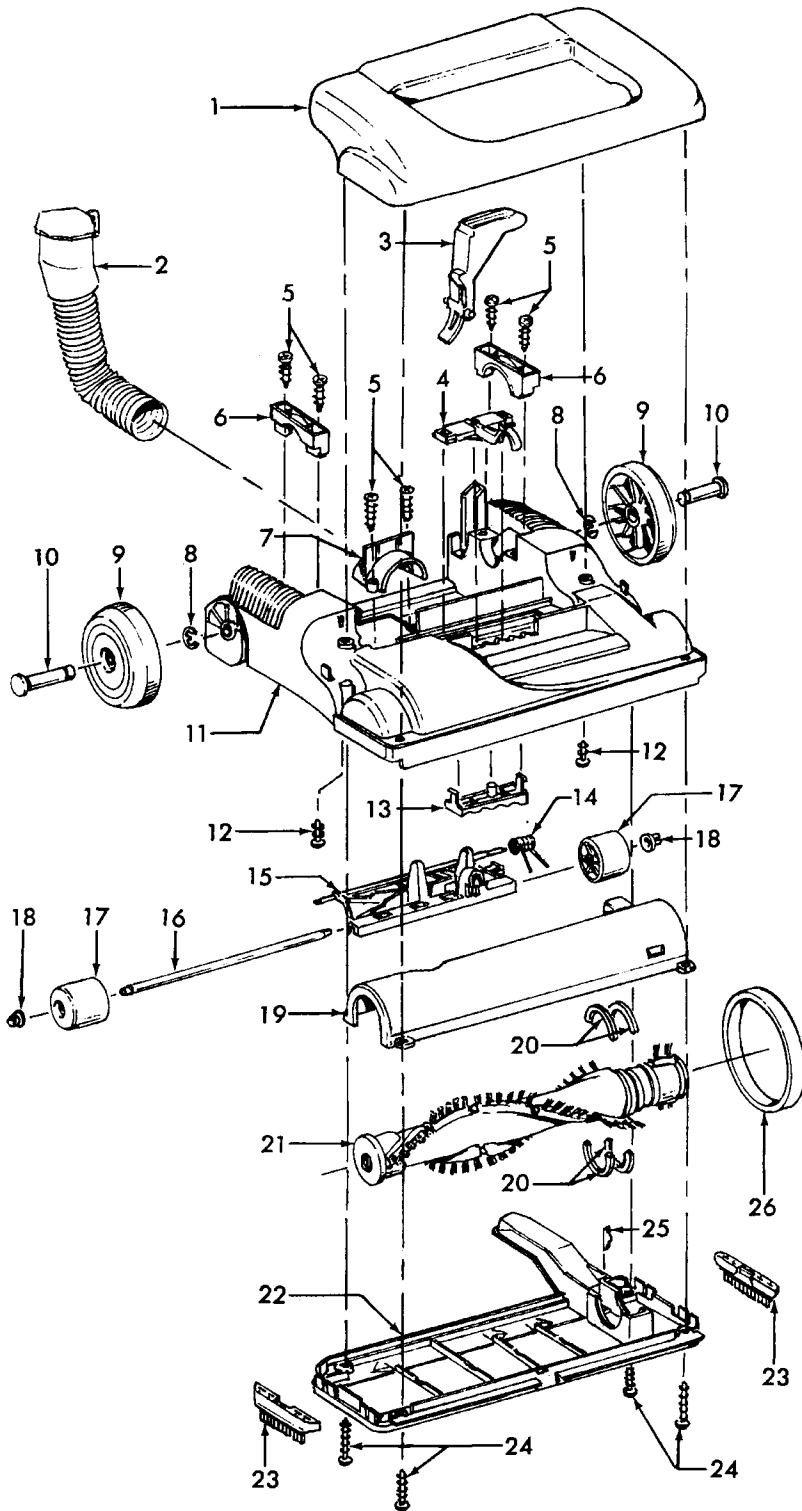
By Voice: Use numbers above.

Serving the Cleaning Industry Since 1922

Notice: All copyrighted material remains property of original owners, all trademarks are property of respective owners. Manuals are subject to Manufacturer's reproduction limitations. Originals or reproductions were provided by manufacturers through a request. We make no warranty as to the correctness of information provided in this document and you assume all risk. By placing these manuals on line we are not declaring our corporation to be an manufacturer authorized dealer or provider, please check our web site for authorized manufacturers we represent.



| Ref. No. | Part No. | Description | Ref. No. | Part No. | Description |
|----------|----------|------------------------------------|----------|----------|--|
| 1 | 48663207 | Upper Handle Assm. (Inc. item 2) | 31 | 34123050 | Bag Door Gasket - Bottom |
| 2 | 39442043 | Cord Wrap | 32 | 37944010 | Cover |
| 3 | 27479307 | * Wire Tie | 33 | 21447072 | * Screw |
| 4 | 27618508 | * Wire Connector | 34 | 47173023 | Wiring Harness |
| 5 | N/A | Terminal | 35 | 27313101 | Dirt Finder Lamp |
| 6 | 28161067 | Switch | 36 | 34131019 | Wire Opening Plug |
| 7 | N/A | Terminal | 37 | 36322030 | Motor Mount - Small |
| 8 | 40309039 | Bag Housing - (Includes item 28) | 38 | 38765019 | Secondary Filter |
| 9 | 40201149 | Handle Hardware | 39 | 36426034 | Secondary Filter Retainer |
| 10 | 27482231 | Strain Relief | 40 | 21641558 | * Hex Nut (2) |
| 11 | 46583058 | Cord - AAW - 40' | 41 | 36426039 | Filter Holder |
| 12 | 31178017 | Hose Connector Gasket | 42 | 43613006 | Cartridge Filter |
| 13 | 38641005 | Hose Connector (also order it. 12) | 43 | 4010051Y | Throw away bag (3 Pk.) |
| 14 | 43434031 | Hose Assembly | 44 | 38781057 | Bag Door Gasket |
| 15 | 21447242 | Screw (4) | 45 | 37254215 | Bag Housing Door - (Inc. items 31, 44) |
| 16 | 36433112 | Tool / Hose Holder | 46 | 43457024 | Nozzle Hose Ext. w/ Door |
| 17 | 23149002 | Screw | 47 | 36433117 | Upper Wand Holder |
| 18 | 43431005 | Angled Connector Assembly | 48 | 36433116 | Lower Wand Holder |
| 19 | 34311004 | Wire Opening Seal | 49 | 27478456 | Attachment Cord Clamp |
| 20 | 3861401E | Furniture Nozzle | | 56511B69 | Owner Manual |
| 21 | 38617027 | Crevice Tool | | 58174102 | Carton |
| 22 | 43414162 | Dusting Brush Assembly | | | |
| 23 | 38634078 | Extension Tube - (2) | | | |
| 24 | 36322035 | Motor Mount - Large | | | |
| 25 | 43576180 | Motor Assembly | | | |
| | 41311017 | Motor Brushes (2) | | | |
| | 43566016 | Motor Suction Fan | | | |
| 26 | 28382086 | Thermal Protector | | | |
| 27 | 21447230 | * Screw (5) | | | |
| 28 | 37196159 | Motor Cover | | | |
| 29 | 21447228 | * Screw (2) | | | |
| 30 | 39383107 | Lens | | | |



| Ref. No. | Part No. | Description |
|----------|----------|--|
| 1 | 37253A14 | Hood |
| 2 | 43431005 | Angled Hose Conn. Assem. |
| 3 | 38458043 | Handle Release Lever |
| 4 | 40309004 | Nozzle Adj. Lever / Cam |
| 5 | 21447072 | * Screw Self Tapping |
| 6 | 36131094 | Trunnion Cover |
| 7 | 36171044 | Hose Clamp |
| 8 | 160017 | * Retaining Ring |
| 9 | 43244004 | Rear Wheel |
| 10 | 32434008 | Rear Axle |
| 11 | 37242124 | Main Body |
| 12 | 21447228 | * Screw Self Tapping |
| 13 | 40309004 | Nozzle Adj. Lever / Cam |
| 14 | 38355010 | Torsion Spring |
| 15 | 36432027 | Front Wheel Support |
| | 43248057 | Front Wheel Assembly (Inc. items 15, 16, 17, 18) |
| 16 | 32541003 | Wheel Shaft |
| 17 | 38521004 | Front Wheel |
| 18 | 36131056 | * Wheel Retainer |
| 19 | 40309025 | Bottom Plate / Duct Cover Assem. |
| 20 | 38781053 | * Agitator Pulley Seal |
| 21 | 48414110 | Agitator Assembly |
| 22 | 40309025 | Bottom Plate / Duct Cover Assem. |
| 23 | 39511006 | Litter Picker (2) |
| 24 | 21447121 | * Screw Self Tapping |
| 25 | 13261AY | * Rug Nozzle Rib Shoe |
| 26 | 38528033 | Belt |

* = expense item. Sold in quantities of 12 only