



Electronic Service Manuals

This electronic document is provided as a service to our customers. We do not create the contents of the information contained in this document. Should you have detailed questions pertaining to the information contained in this document, you may contact Michco, or the manufacturer which provided the original information in this electronic deliverable. Michco's only part in this electronic deliverable was the electronic assembly process. By providing this manual on line we are not guaranteeing parts availability.

You may contact Michco through the following methods:

Phone (517) 484-9312 or (800) 331-3339

2011 N. High St. -- Lansing, Michigan -- 48906

Fax: (517) 484-9836

Email: CustServe@Michco.com

Web site: www.Michco.Com

Parts Web site: www.FloorMachineParts.Com

Order Parts on Line at:

www.FloorMachineParts.Com

Directly to Parts & Service:

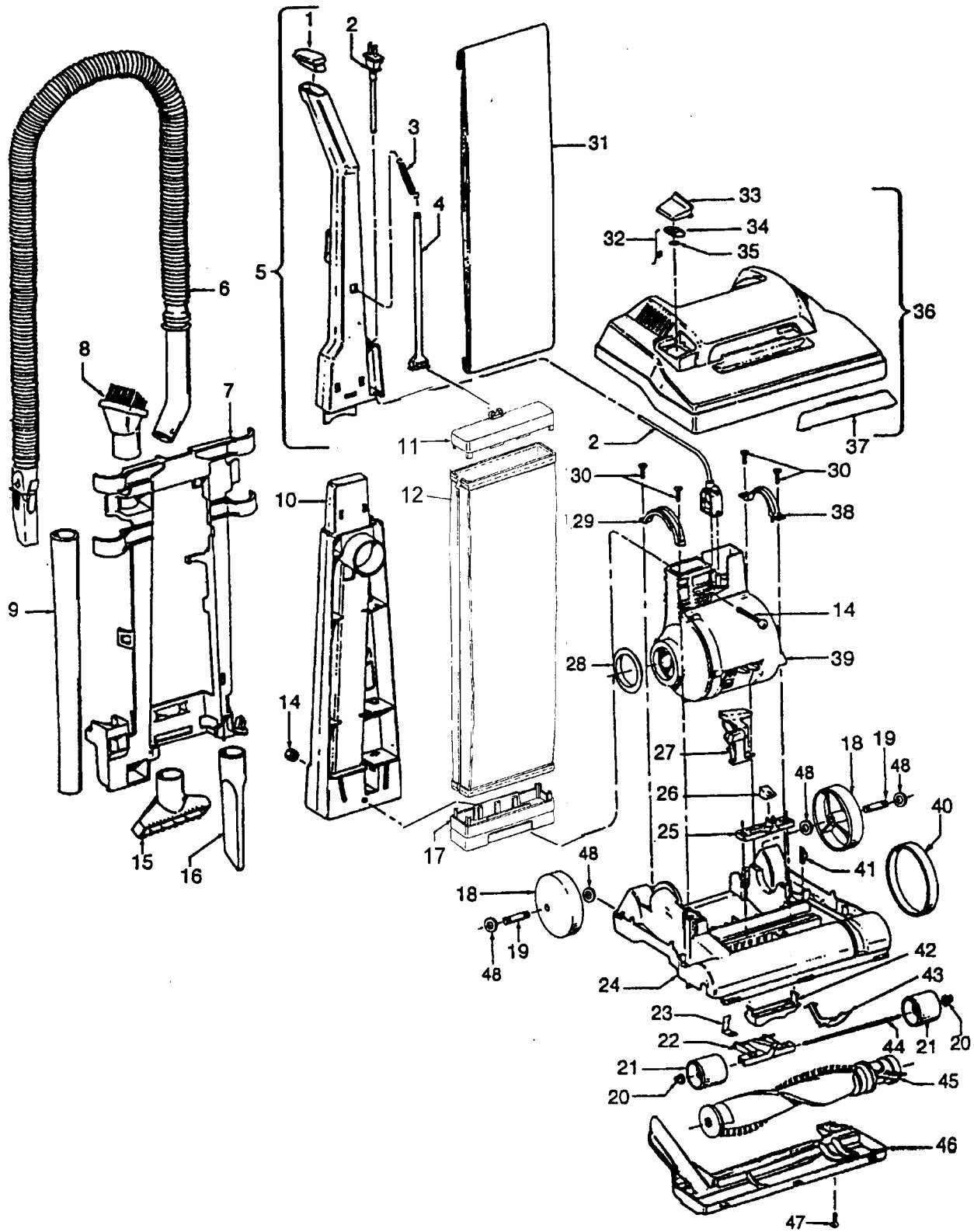
By Email: **Shop@Michco.com**

By Fax: (517) 702-2041

By Voice: Use numbers above.

Serving the Cleaning Industry Since 1922

Notice: All copyrighted material remains property of original owners, all trademarks are property of respective owners. Manuals are subject to Manufacturer's reproduction limitations. Originals or reproductions were provided by manufacturers through a request. We make no warranty as to the correctness of information provided in this document and you assume all risk. By placing these manuals on line we are not declaring our corporation to be an manufacturer authorized dealer or provider, please check our web site for authorized manufacturers we represent.



Ref. No.	Part No.	Description
1	37911079	Handle Cap
2	46388045	Attachment Cord - AAW - 40'
3	38335020	Bag Strap Spring
4	36425072	Bag Strap
5	48663149	Upper Handle Assembly
6	43434237	Hose Assembly
7	36433098	Tool Rack
8	43414145	Dusting Brush
9	38634078	Extension Tube
10	39464005	Lower Handle
11	36425067	Jacket Support - Upper
12	43686242	Outer Jacket Assem. (Inc.items 11, 17)
13	38456036	Switch Control Rod
14	40201085	Nut & Bolt
15	38614029	Furniture Nozzle
16	38617024	Crevice Tool
17	36425063	Jacket Support - Lower
18	38522011	Rear Wheel
19	31531008	Rear Wheel Shaft
20	36131056 *	Wheel Retainer
21	not available	Wheel (Use 43248054 wheel assembly)
22	43248059	Front Wheel Assem. (Incl. lt. 21,43,44)
23	34572002	Cam Actuator Spring
24	42243002	Main Body Assm. (Incl. Items 18,19,27,41)
25	38567008	Cam Actuator
26	38421070	Indicator Knob
27	38458022	Handle Release Lever
28	38784016	Seal

Ref. No.	Part No.	Description
29	36131057	Motor Retainer Cap - R.H.
30	21447217 *	Screw - Self Tapping
31	4010051A	Throw Away Bag (3 Pk.)
32	38351013	Spring
33	37257143	Door
34	not applicable	Seal
35	not applicable *	Speed Nut
36	42252B64	Hood Assembly
37	37246130	Panel
38	36131090	Motor Retainer Cap - L.H.
39	43576201	Motor
40	38528040	Belt
41	13261AY *	Rug Nozzle Rib Shoe
42	38563011	Nozzle Height Adj. Cam
43	not available	Lever- (Use 43248059 wheel assem)
44	not available	Wheel Shaft - AY (Use 43248059 wheel assembly)
45	48414118	Agitator Complete
46	37245017	Bottom Plate
47	21447121 *	Screw - Self Tapping
48	21312787 *	Washer

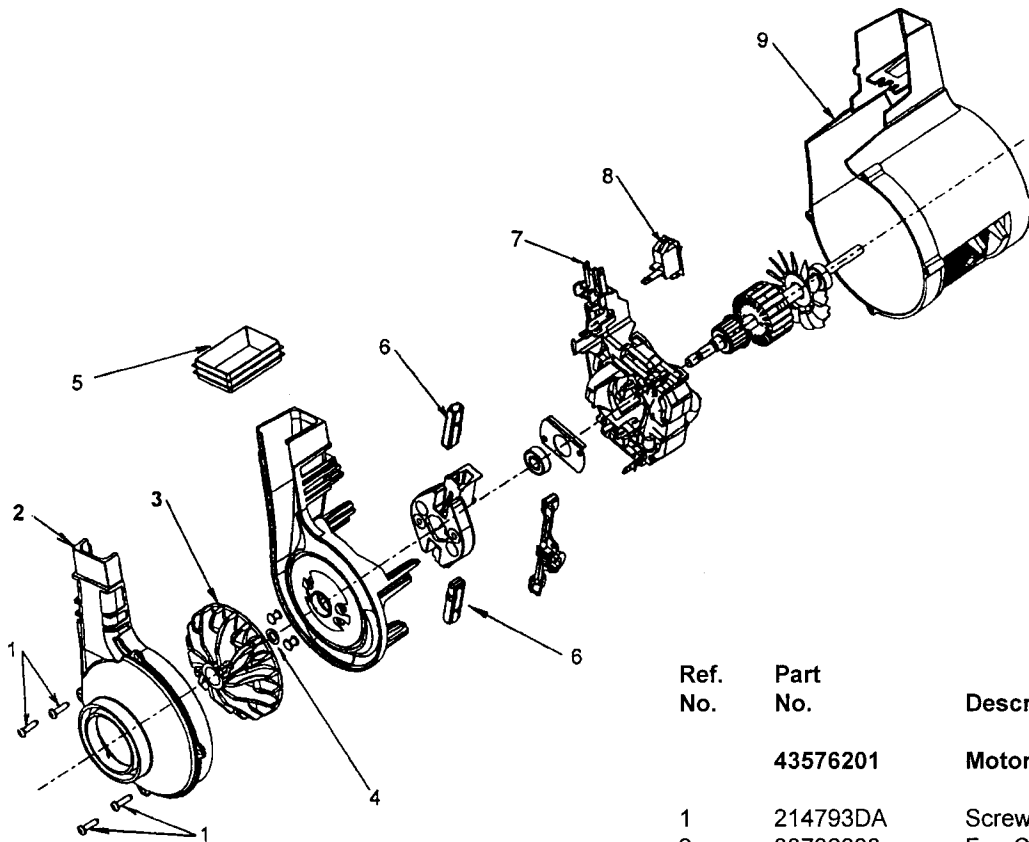
ITEMS NOT ILLUSTRATED

40201151	Hardware Kit - Optional Service item. -(inc. items 18,19,27, 41,48)
----------	---

PACKAGING MATERIAL

56511B67	Owner Manual
59814116	Carton

*= expense item. Sold in package quantities of 12.



Ref. No.	Part No.	Description
	43576201	Motor Assembly Complete
1	214793DA	Screw-Self Tapping (4)
2	38736033	Fan Chamber
3	43565006	Fan / Nut Assembly
4	21312793	* Washer
5	38783020	Duct Seal
6	41311022	Motor Brush Assembly (2)
7	36914006	Switch Bus Bar
8	28161068	Switch Assembly
9	37194046	Motor End Cap Assembly

Agitator - #48414118

Ref. No.	Part No.	Description
1	36423016	Thread Guard - RH
2	43267002	Agitator Bearing Assm. (2)
3	21347003	* Conical Washer (2)
4	36422022	Agitator End (2)
5	N/A	Agitator Body
6	N/A	Agitator Shaft
7	36423017	Thread Guard - LH - AG

