



# Electronic Service Manuals

This electronic document is provided as a service to our customers. We do not create the contents of the information contained in this document. Should you have detailed questions pertaining to the information contained in this document, you may contact Michco, or the manufacturer which provided the original information in this electronic deliverable. Michco's only part in this electronic deliverable was the electronic assembly process.

You may contact Michco through the following methods:  
Phone (517) 484-9312 or (800) 331-3339 MI, OH, IN only  
2011 N. High St. -- Lansing, Michigan -- 48906  
Fax: (517) 484-9836  
Email: [CustServ@Michco.com](mailto:CustServ@Michco.com)  
Web site: [www.Michco.Com](http://www.Michco.Com)  
Parts Web site: [www.FloorMachineParts.Com](http://www.FloorMachineParts.Com)

Order Parts on Line at:  
**[www.FloorMachineParts.Com](http://www.FloorMachineParts.Com)**

Directly to Parts & Service:  
By Email: **[Shop@Michco.com](mailto:Shop@Michco.com)**  
By Fax: (517) 702-2041  
By Voice: Use numbers above.

**Serving the Cleaning Industry Since 1922**

Notice: All copyrighted material remains property of original owners, all trademarks are property of respective owners. Manuals are subject to Manufacturer's reproduction limitations. Originals or reproductions were provided by manufacturers through a request. We make no warranty as to the correctness of information provided in this document and you assume all risk.

# ScrubMaster 30R

## Parts List and Service Manual

---

The contents of this manual are based on the latest product information available at the time of publication. Pacific Steamex reserves the right to make changes or improvements to its machines without notice.

For new books write to:

***Pacific***

*2259 S. Sheridan*

*Muskegon, MI 49442-6252*

**FOR YOUR CONVENIENCE, RECORD THE FOLLOWING INFORMATION:**

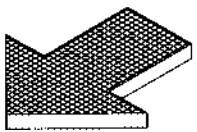
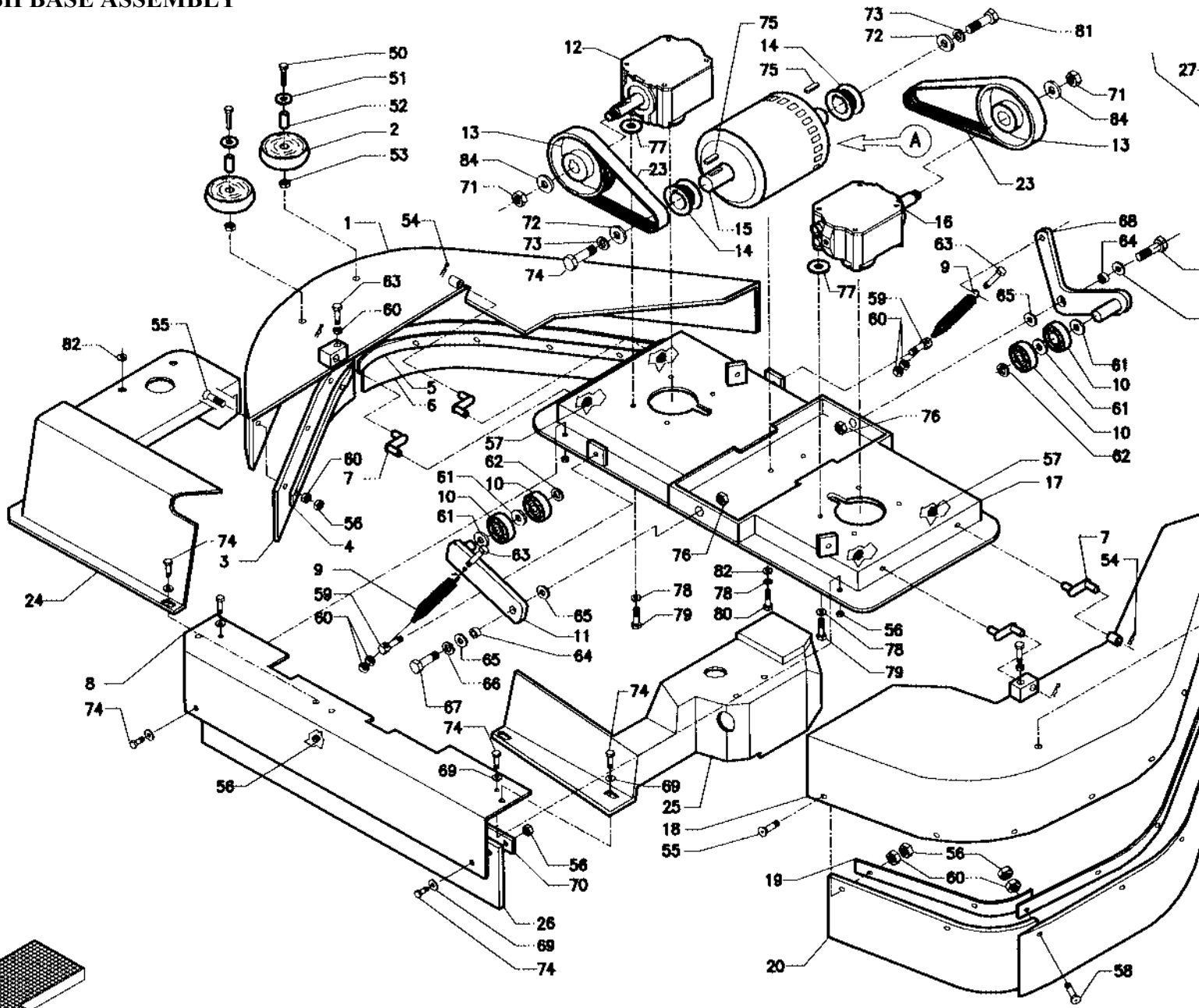
**MODEL** \_\_\_\_\_

**SERIAL NUMBER** \_\_\_\_\_

**PART NUMBER** \_\_\_\_\_

**DATE PURCHASED** \_\_\_\_\_

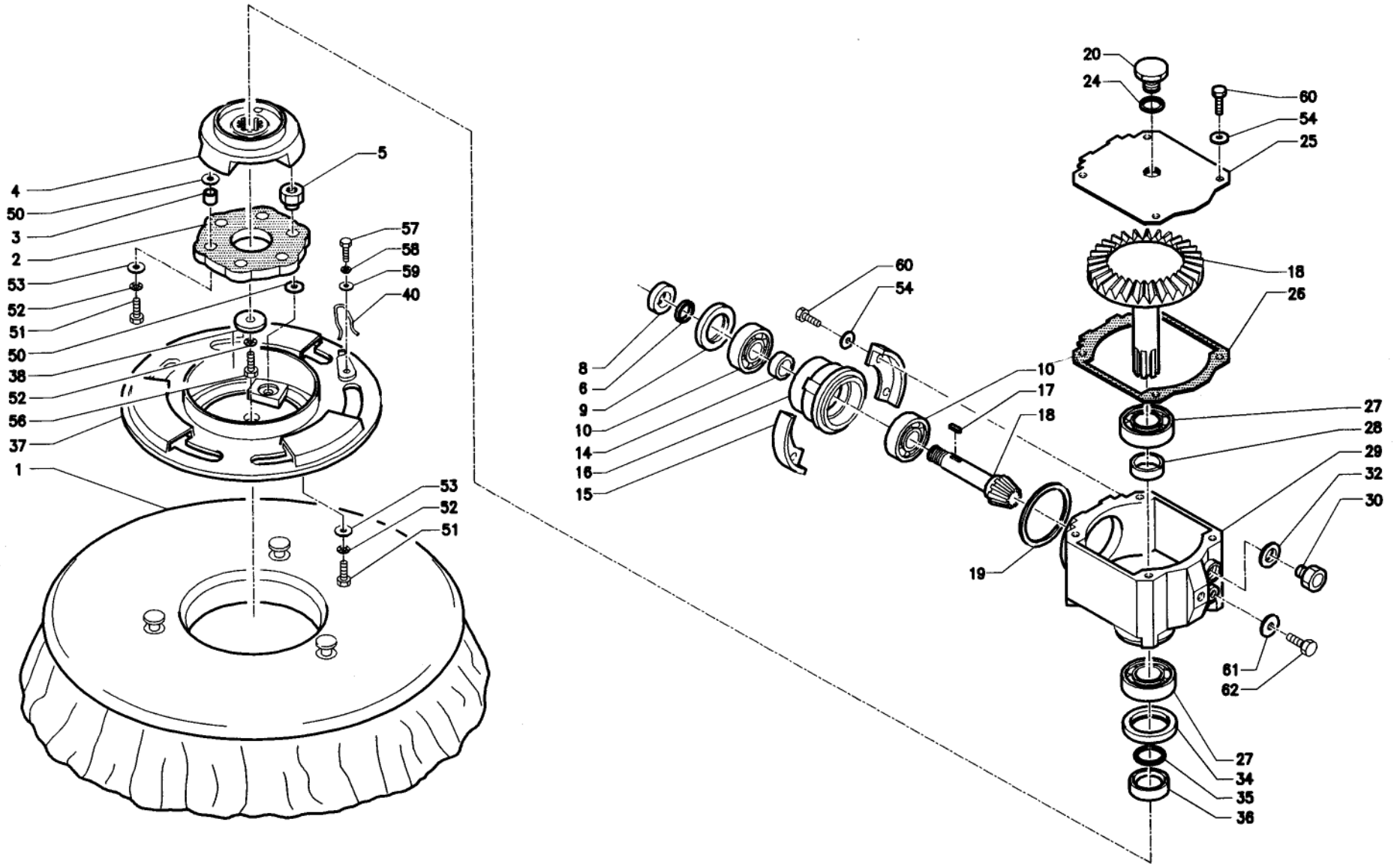
BRUSH BASE ASSEMBLY



## 30R - DRAWING 01

Item	Part Number	Description	Qty.
1	42201100	Support	1
2	67020030	Wheel	3
3	67622080	Splash Guard	1
4	68822090	Front Right Blade	1
5	68822070	Rear Right Blade	1
6	67622060	Splash Guard	1
7	42201050	Hinge	4
8	42201040	Front Cover	1
9	69220190	Spring	2
10	902032	Bearing	4
11	42201020	Tightener	1
12	A2050012	Reduction Gear	1
13	69420240	Pulley	2
14	69420210	Pulley	2
15	68230240	Motor (starting w/SN#00010202)	1
16	A2050011	Reduction Gear	1
17	69822010	Base	1
18	42201090	Support	1
19	68822080	Front Left Blade	1
20	67622090	Splash Guard	1
21	68822060	Rear Left Blade	1
22	67622070	Splash Guard	1
23	70130007	Belt	2
24	42246050	Cover Right	1
25	42246040	Cover Left	1
26	67622050	Splash Guard	1
27	72901001	Spring	4
28	72901015	Carbon Brush Holder Assembly	1
29	71710181	Carbon Brush Mtr. (for 68230240)	4
50	70910814	Screw	
51	980039	Washer	
52	69102110	Bushing	3

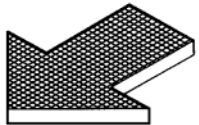
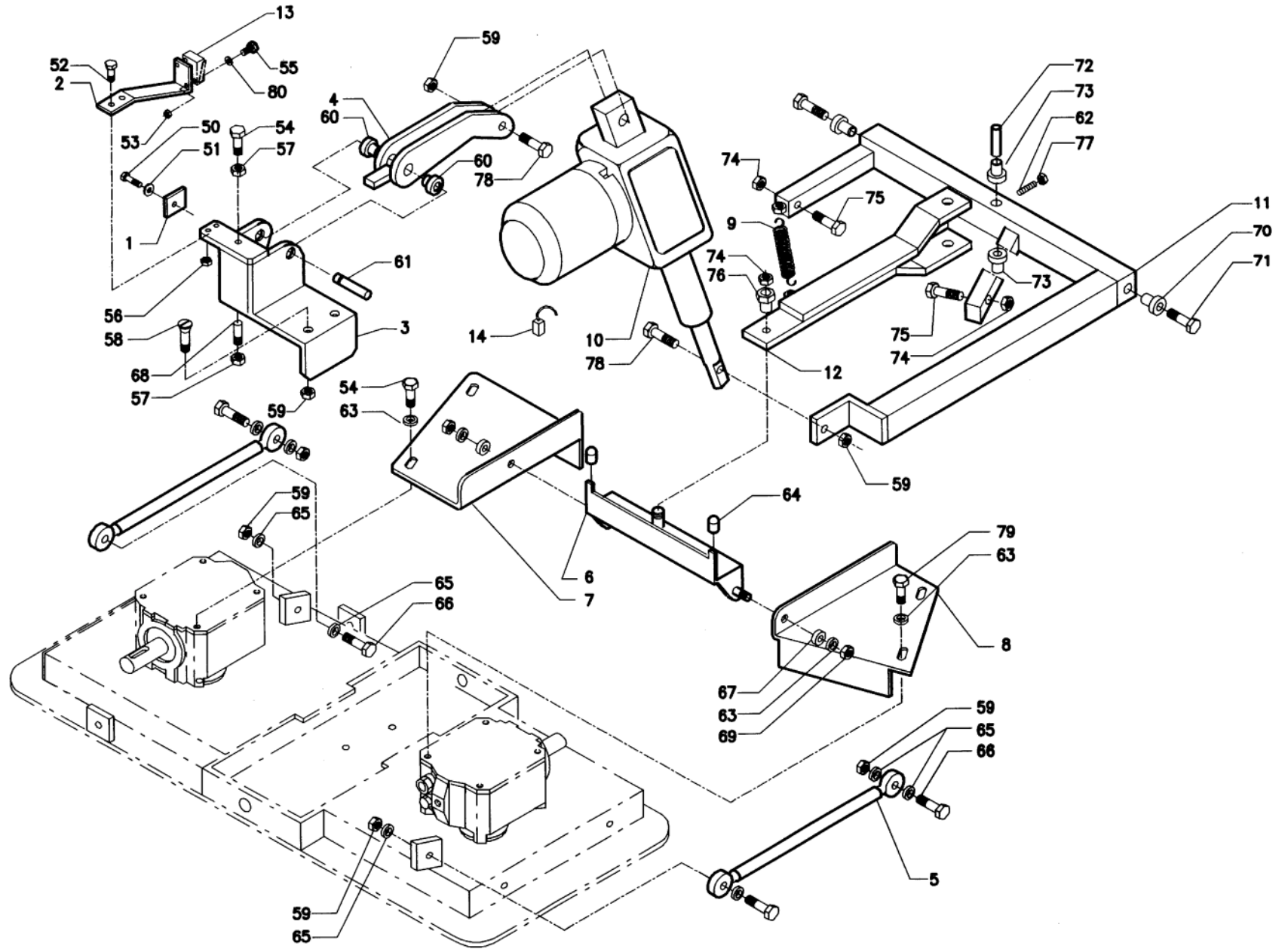
Item	Part Number	Description	Qty.
53	924025	Nut	
54	71600003	Clip	4
55	70980603	Screw	
56	924050	Lock Nut	
57	70230008	Seeger Ring	4
58	964094	Screw	
59	40704010	Special Screw	2
60	71010605	Nut	
61	980622	Washer	
62	70220009	Seeger Ring	2
63	70910619	Screw	
64	69105030	Bushing	2
65	71110005	Washer	
66	71110007	Washer	
67	964119	Screw	
68	42201010	Tightener	1
69	980062	Washer	
70	68822050	Front Blade	1
71	71021601	Lock Nut	
72	40607110	Washer	
73	71106009	Washer	
74	964064	Screw	
75	70406064	Key	2
76	924055	Lock Nut	
77	41007270	Washer	
78	980069	Washer	
79	964090	Screw	
80	70910803	Screw	
81	70910605	Screw	
82	980039	Washer	
84	924030	Washer	



## 30R - DRAWING 02

Item	Part Number	Description	Qty.
1	880990	Brush - Poly	
	880991	Brush - Grit Scrub	
	885990	Pad Driver	
	885991	Pad Driver - Poly Bristle	
2	41001100	Flexible Coupling	2
3	69009010	Spacer	6
4	41201040	Flange	2
5	69102030	Bushing	6
6	70800007	O-Ring	2
8	69011010	Spacer	2
9	70730471	Oil Seal	2
10	70511702	Bearing	4
14	69001120	Spacer	2
15	40205120	Holdfast	4
16	41205020	Support	2
17	70405053	Key	1
18	69350100	Bevel Gear Pair	1
18A	69350110	Bevel Gear Pair	1
19	67400410	Gasket	2
20	74550002	Breather	2
24	883451	Gasket	2
25	40205130	Cover	2
26	67400420	Gasket	2

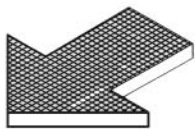
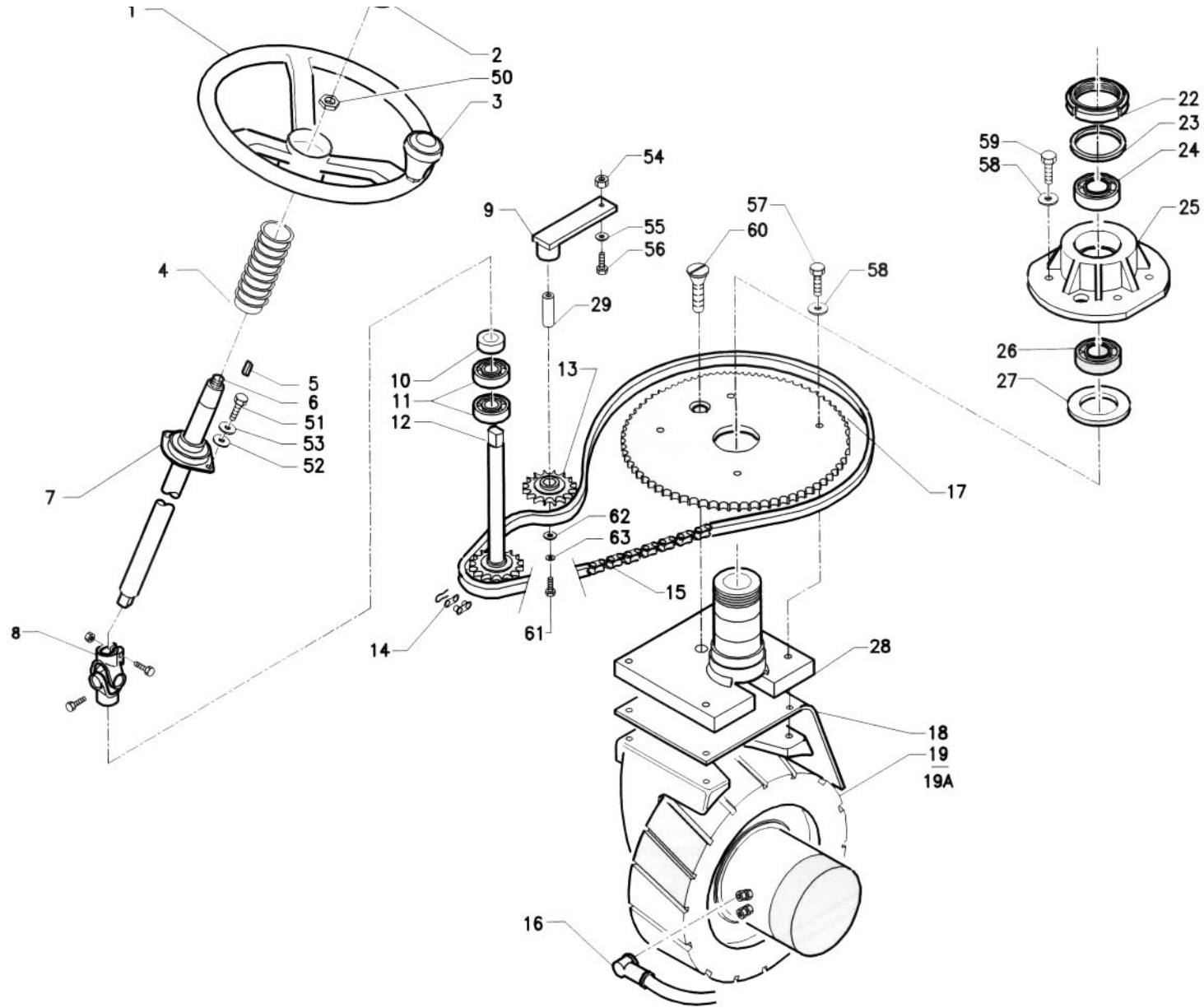
Item	Part Number	Description	Qty.
27	70512501	Bearing	4
28	69001130	Spacer	2
29	41205010	Reduction Gear Box	2
30	74550006	Level Plug	2
32	67400180	Gasket	2
34	70738521	Oil Seal	2
35	70800006	O-Ring	2
36	69001100	Spacer	2
37	41201050	Plate	2
38	40205080	Special Washer	2
40	69230010	Spring	2
50	71308004	Washer	
51	964085	Screw	
52	980069	Washer	
53	980044	Washer	
54	71308002	Washer	
56	70930801	Screw	
57	70910602	Screw	
58	71106009	Washer	
59	980065	Washer	
60	964086	Screw	
61	71110001	Washer	
62	70911001	Screw	



## 30R - DRAWING 03

Item	Part Number	Description	Qty.
1	42203170	Plate	1
2	42203060	Support	1
3	42203030	Support	1
4	42203020	Coupling	1
5	42203090	Lever	2
6	42203120	Support	1
7	42203100	Coupling	1
8	42203110	Coupling	1
9	69220160	Spring	1
10	66200340	Actuator	1
11	42203010	Lever	1
12	42203130	Arm	1
13	911170	Microswitch	1
14	71706092	Carbon Brush Motor	2
50	70910414	Screw	
51	980058	Lock Washer	
52	70910407	Screw	
53	924041	Nut	
54	964085	Screw	
55	964101	Screw	
56	924029	Lock Nut	
57	924035	Nut	
58	70981002	Screw	

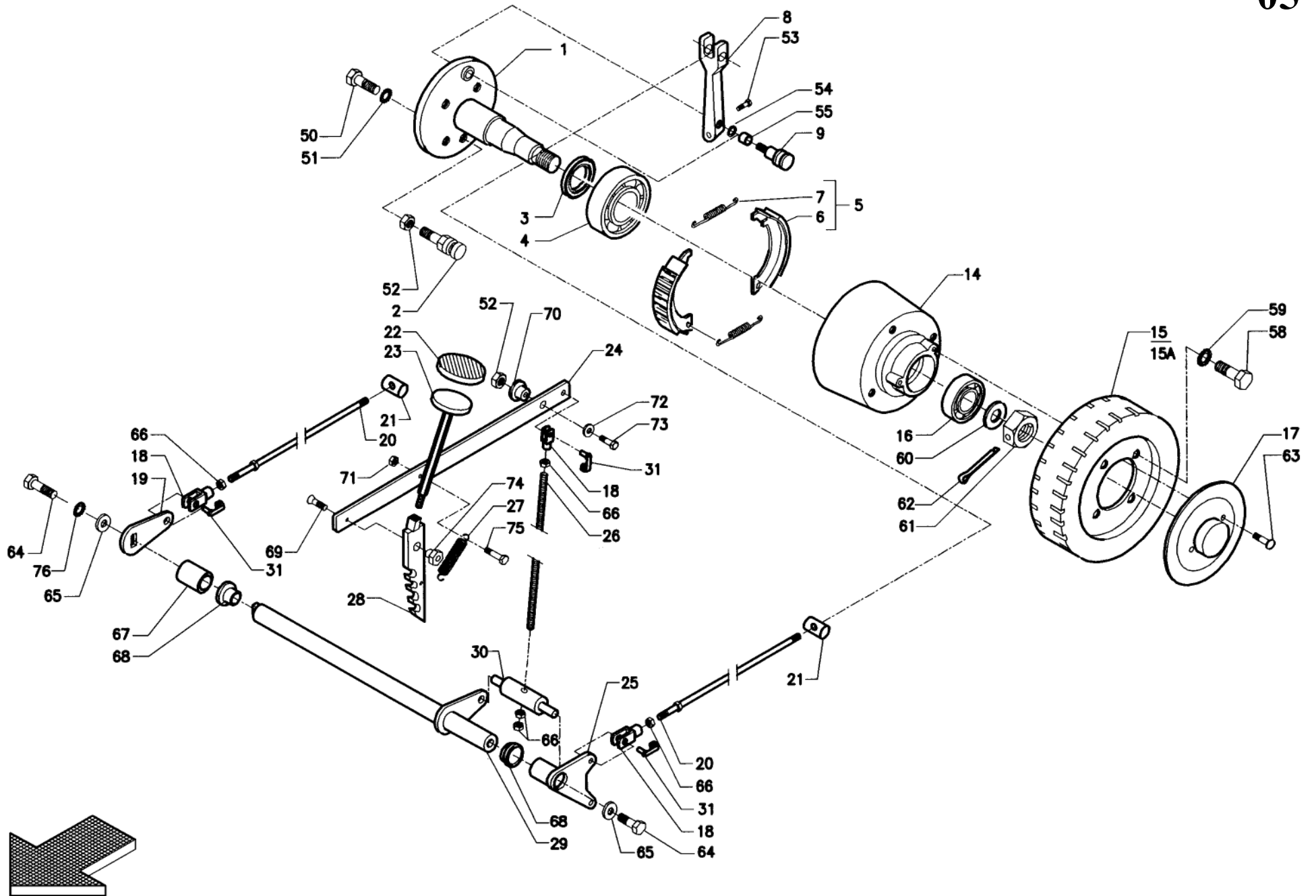
Item	Part Number	Description	Qty.
59	924055	Lock Nut	
60	69121040	Bushing	2
61	42203050	Pin	1
62	70960602	Dowel	
63	980039	Washer	
64	72915006	Cap	2
65	42203160	Spacer	8
66	964125	Screw	
67	69102020	Bushing	2
68	70960804	Dowel	
69	71020804	Lock Nut	
70	69109050	Bushing	2
71	964119	Screw	
72	42203140	Fulcrum	1
73	69102060	Bushing	2
74	924053	Nut	
75	70911012	Screw	
76	69121030	Bushing	1
77	924048	Nut	
78	70911015	Screw	
79	964086	Screw	
80	980054	Washer	



## 30R - DRAWING 04

Item	Part Number	Description	Qty.
1	69512010	Steering Wheel	1
2	72913009	Plug	1
3	74008007	Knob	1
4	67533010	Bellows	1
5	885030	Key	1
6	42227090	Shaft	1
7	70542501	Support	1
8	74807003	Universal Joint	1
9	42227030	Support	1
10	69009080	Spacer	1
11	70512001	Bearing	2
12	42227010	Pinion	1
13	42227020	Pinion	1
14	70300004	Joint Chain	1
15	70300017	Chain	1
16	72908006	Pipe	4
17	69330120	Crown Gear	1
18	42227050	Splash Guard	1
19	68200250	Traction Wheel & Motor (CIMA)	1
	889790	Wheel Only for CIMA Motor	
	68230920	CIMA Motor	
19A	68200310	Traction Wheel & Motor (MR)	
	67030660	Wheel Only for MetalRota Motor	
	68230930	MetalRota Motor	

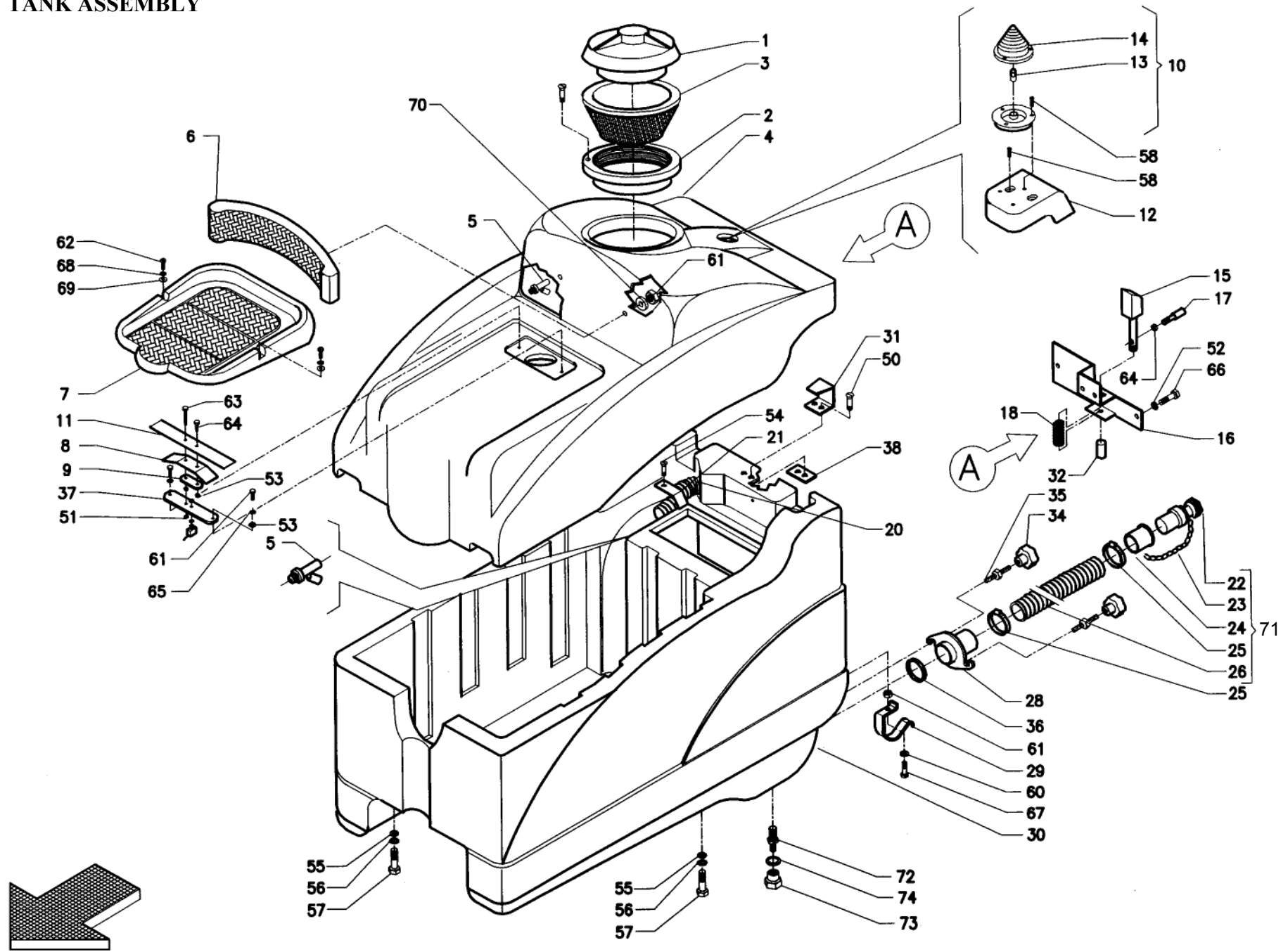
Item	Part Number	Description	Qty.
22	71025001	Ring Nut	1
23	69009060	Spacer	1
24	70515001	Bearing	1
25	42227070	Hub for Shaft	1
26	70525001	Bearing	1
27	70758801	Oil Seal	1
28	42227060	Shaft	1
29	69109070	Bushing	1
50	40627180	Special Nut	1
51	964090	Screw	
52	980039	Washer	
53	980069	Washer	
54	924033	Lock Nut	
55	980039	Washer	
56	964085	Screw	
57	70911015	Screw	
58	980053	Lock Washer	
59	70911003	Screw	
60	70980802	Screw	
61	70910605	Screw	
62	980065	Washer	
63	71106009	Washer	



## 30R - DRAWING 05

Item	Part Number	Description	Qty.
1	68922010	Axle Shaft	2
2	42217010	Pin	2
3	70730521	Oil Seal	2
4	70522501	Bearing	2
5	74803043	Block Assy With Springs	2
6	74803052	Block	2
7	74803053	Spring	2
8	74803045	Lever	2
9	74803044	Pin	2
14	66920180	Wheel Hub	2
15	67030490	Rubber Wheel	2
15A	67030460	Antiskid Wheel	2
16	70522001	Bearing	2
17	42217020	Cover	2
18	74610005	Fork	3
19	42218100	Tie Rod	1
20	42218010	Rod	2
21	42218130	Pin	2
22	42218020	Pedal Cover	1
23	42218040	Pedal	1
24	42218060	Lever	1
25	42218090	Tie Rod	1
26	42218030	Tie Rod	1
27	888336	Spring	1
28	42218050	Lever	1
29	42218120	Shaft	1
30	42218080	Rod	1

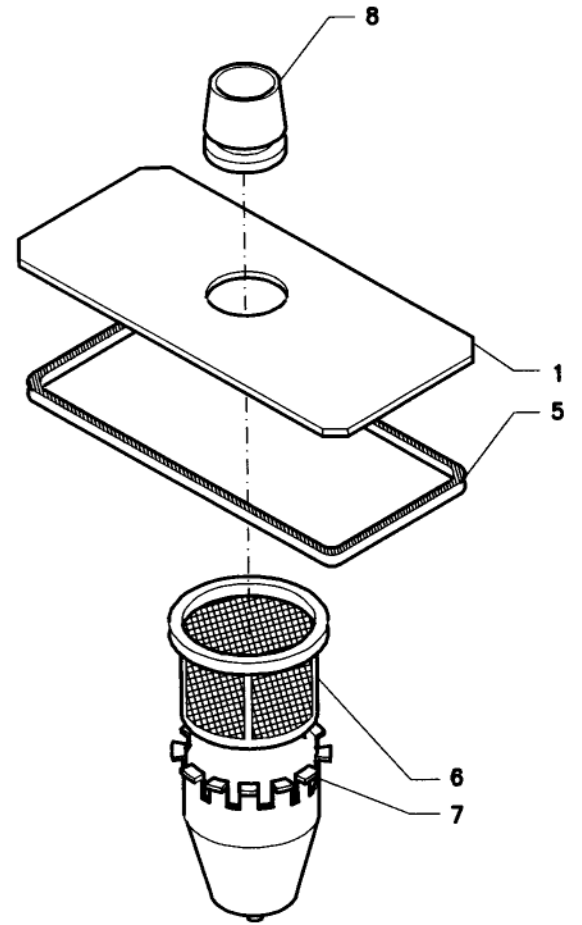
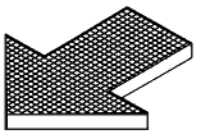
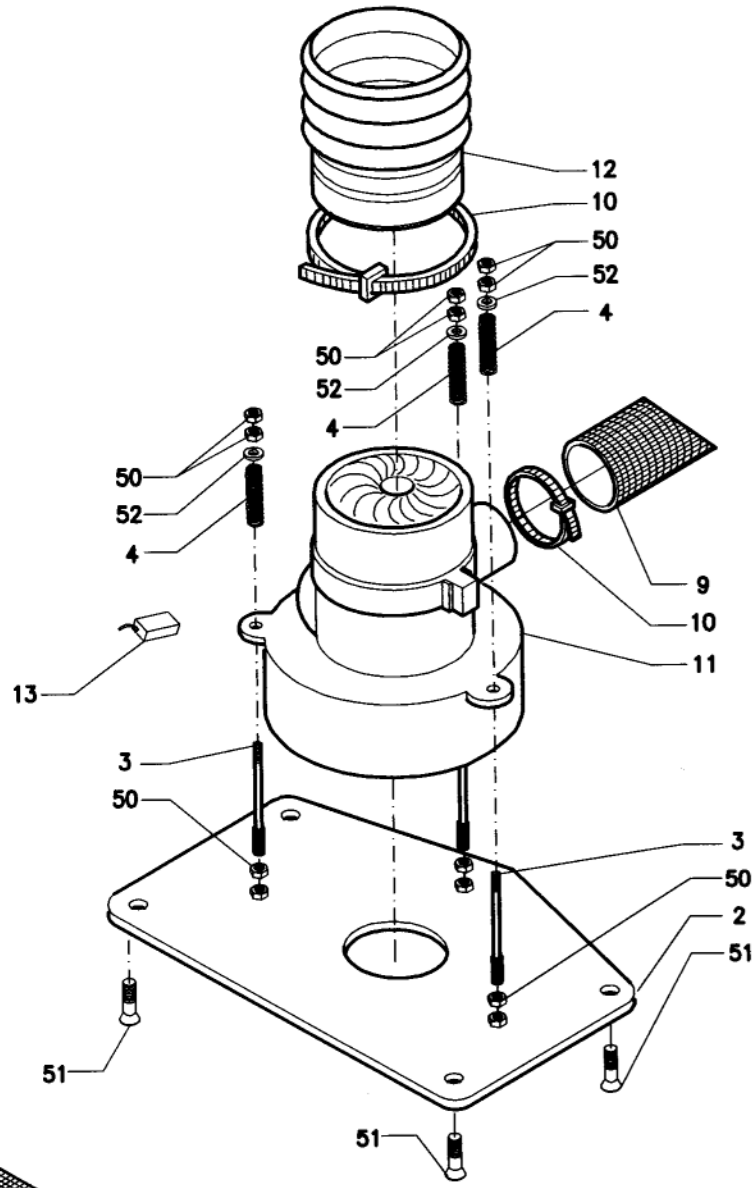
Item	Part Number	Description	Qty.
31	74620006	Fork Pin	2
50	70911003	Screw	
51	71110007	Washer	
52	924055	Lock Nut	
53	964116	Screw	
54	70800001	O-Ring	2
55	69102220	Bushing	2
58	964111	Screw	
59	71310001	Washer	
60	71116003	Washer	
61	71041601	Nut	2
62	71504002	Spilt Pin	2
63	964133	Screw	
64	70910803	Screw	
65	40205080	Washer	
66	924035	Nut	
67	42218110	Spacer	1
68	69105070	Bushing	2
69	70980801	Screw	
70	69121010	Bushing	1
71	924060	Nut	
72	980064	Washer	
73	70911015	Screw	
74	69121020	Bushing	1
75	964062	Screw	
76	980069	Lock Washer	



## 30R - DRAWING 06

Item	Part Number	Description	Qty.
1	41836040	Cover	1
2	41036040	Ring	1
3	66500180	Filter	1
4	69722040	Solution Tank	1
5	72199004	Float Switch	2
6	42246030	Seat Back	1
7	42246130	Seat	1
8	42236190	Leaf Spring	1
9	42236200	Plaque	1
10	72905024	Flashing Light	1
11	42246140	Plaque	1
12	42236090	Support	1
13	72300016	Electric Bulb	1
14	72905028	Plastic Orange Cover	1
15	42236140	Pin	1
16	42236120	Support	1
17	42236150	Pin	1
18	69210270	Spring	1
20	67512270	Hose	1
21	42236080	Plaque	1
22	41036060	Plug	1
23	41036080	Chain	1
24	67300080	Coupling	1
25	74220059	Clamp	2
26	67512530	Drain Hose	1
28	42236180	Fitting	1
29	41836060	Link	2
30	69722030	Recovery Tank	1
31	42236130	Link	1
32	881145	Bushing	1

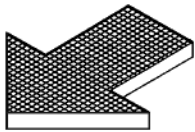
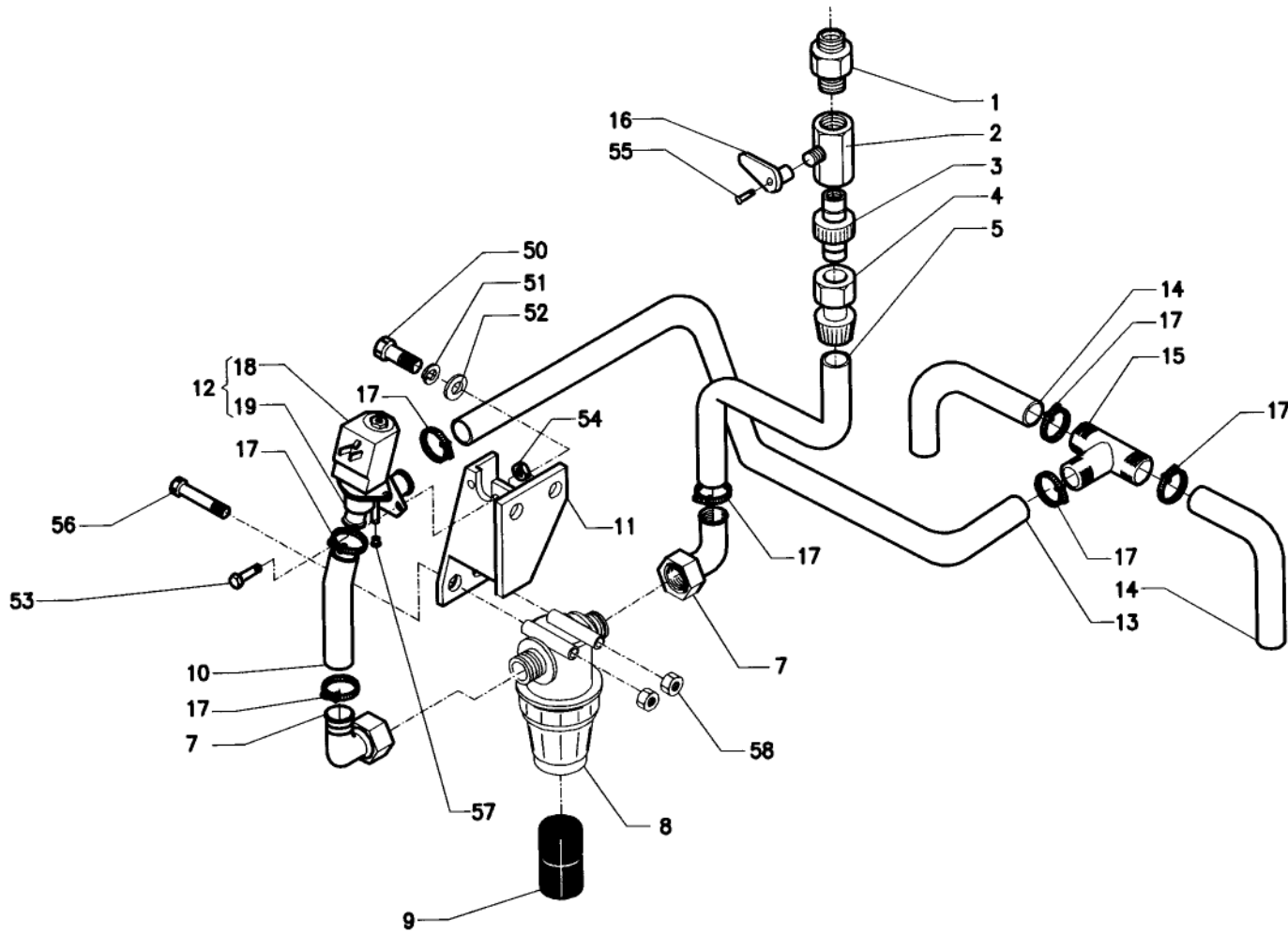
Item	Part Number	Description	Qty.
34	74008001	Knob	2
35	42236220	Stud Bolt	2
36	70800021	O-Ring	1
37	42236210	Support	1
38	42236230	Plaque	1
50	964094	Screw	
51	70910601	Screw	
52	71106009	Lock Washer	
53	924063	Nut	
54	70980605	Screw	
55	71110003	Washer	
56	71110001	Washer	
57	70911003	Screw	
58	964063	Screw	
59	964112	Screw	
60	71106006	Washer	
61	964082	Screw	
62	70610603	Screw	
63	964095	Screw	
64	70910605	Screw	
65	980041	Lock Washer	
66	70970603	Screw	
67	964109	Screw	
68	980045	Lock Washer	
69	71106009	Washer	
70	980062	Washer	
71	67523020	Drain Hose Assembly	1
72	74560013	Fitting	1
73	74550001	Plug	1
74	67406070	Gasket	1



## 30R - DRAWING 07

Item	Part Number	Description	Qty.
1	42241030	Plate	1
2	42241020	Support	1
3	888440	Stud Bolt	3
4	69210400	Spring	3
5	67406060	Gasket	1
6	66500140	Filter	1
7	888551	Float Protection	1
8	67406020	Ring	1

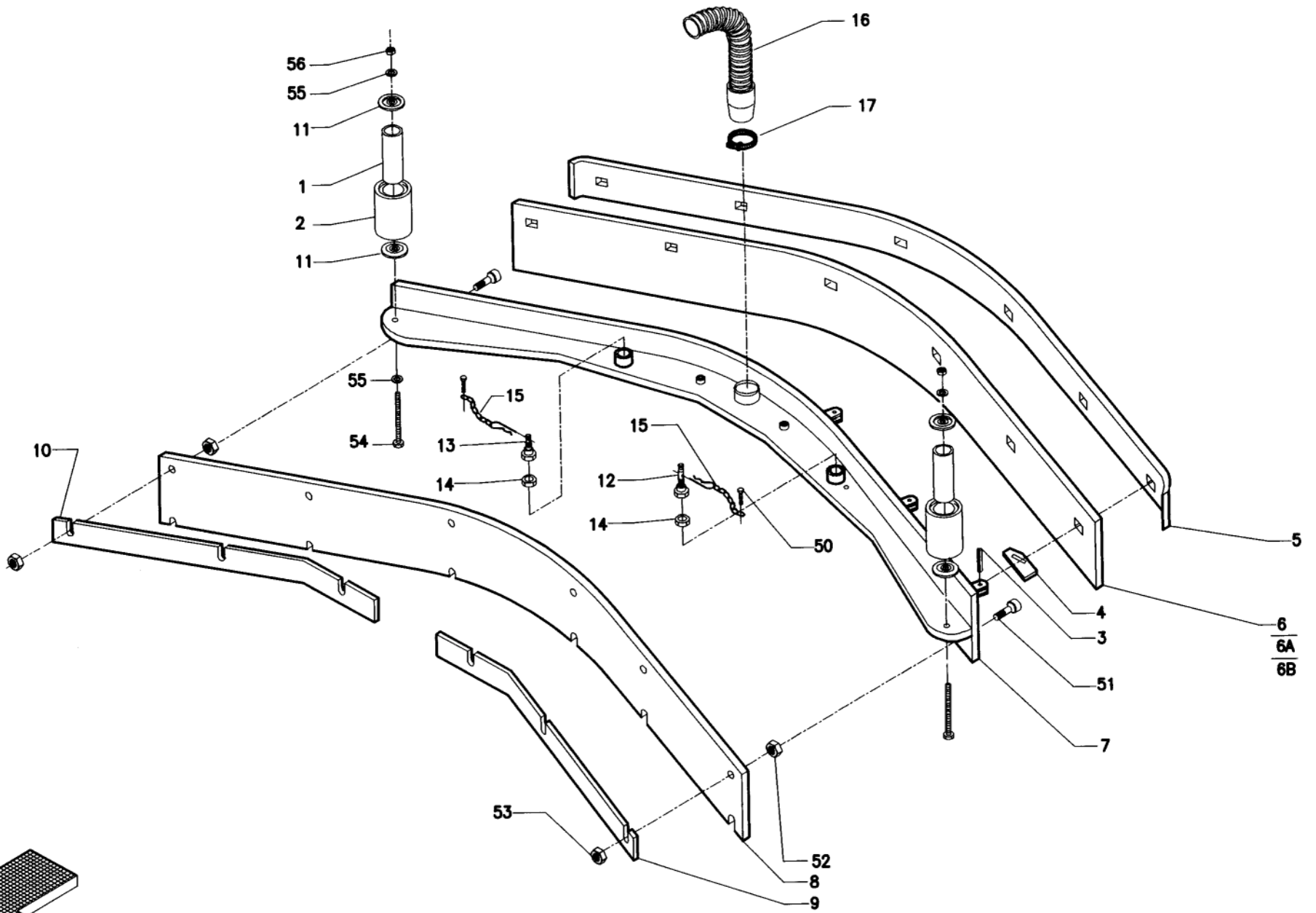
Item	Part Number	Description	Qty.
9	67532110	Deadening Hose	1
10	882030	Clamp	
11	68130330	Vacuum Motor	1
12	67401050	Gasket	1
13	880951	Carbon Brush Motor	2
50	71010605	Nut	
51	70980605	Screw	
52	980062	Washer	



## 30R - DRAWING 08

Item	Part Number	Description	Qty.
1	74560009	Nipple	1
2	74510001	Cock	1
3	74570005	Coupling	1
4	74570004	Fitting	1
5	67522950	Hose	1
7	74520011	Connector	2
8	66500480	Filter Cover	1
9	66500150	Filter Cartridge	1
10	67522960	Hose	1
11	42237010	Support	1
12	68533010	Solenoid Valve	1
13	67522970	Hose	1
14	67522980	Hose	2
15	74530003	Fitting	1

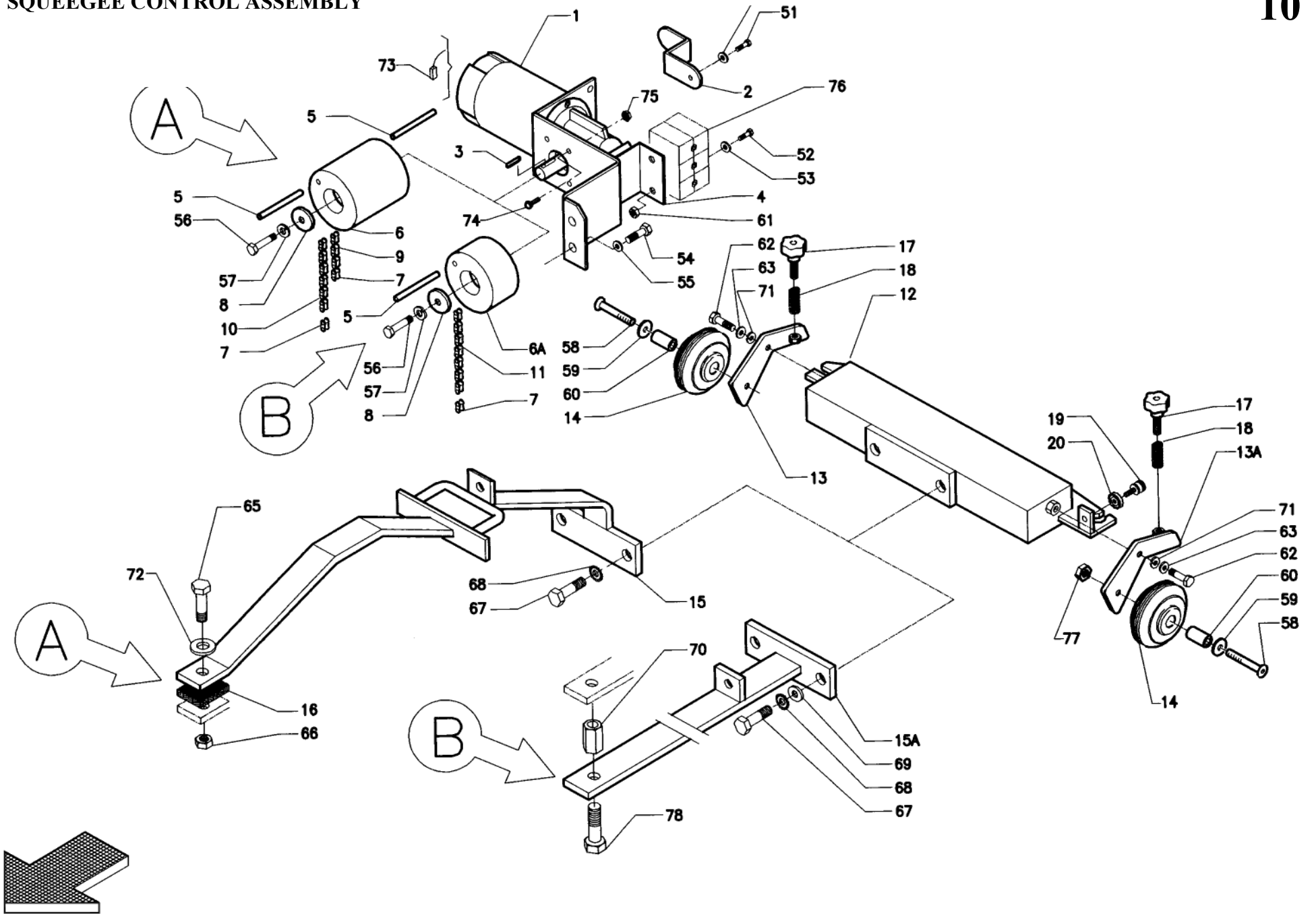
Item	Part Number	Description	Qty.
16	40237030	Lever	1
17	74210001	Clamp	7
18	68533020	Coil	1
19	68510060	Body	1
50	70910808	Screw	4
51	71108009	Washer	4
52	71108003	Washer	4
53	70910401	Screw	2
54	71020401	Nut	2
55	70920411	Screw	1
56	70910820	Screw	2
57	72913010	Cap	1
58	71020803	Lock Nut	



## 30R - DRAWING 09

Item	Part Number	Description	Qty.
*1	40411010	Pin	2
*2	67020080	Wheel	2
*3	71405002	Spring Pin	6
*4	41811060	Plaque	6
*5	68807070	Blade	1
*6	67707130	Rear Rubber 33 Shore	1
6A	67707140	Rear Rubber 40 Shore	1
6B	67707180	Squeegee Body	1
7	69607060	Pin	2
*8	67707120	Front Rubber	1
*9	68807070	Left Blade	1
*10	68807050	Right Blade	1
*11	40411020	Special Washer	4
*12	40311030	Stud Bolt	1

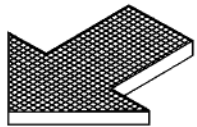
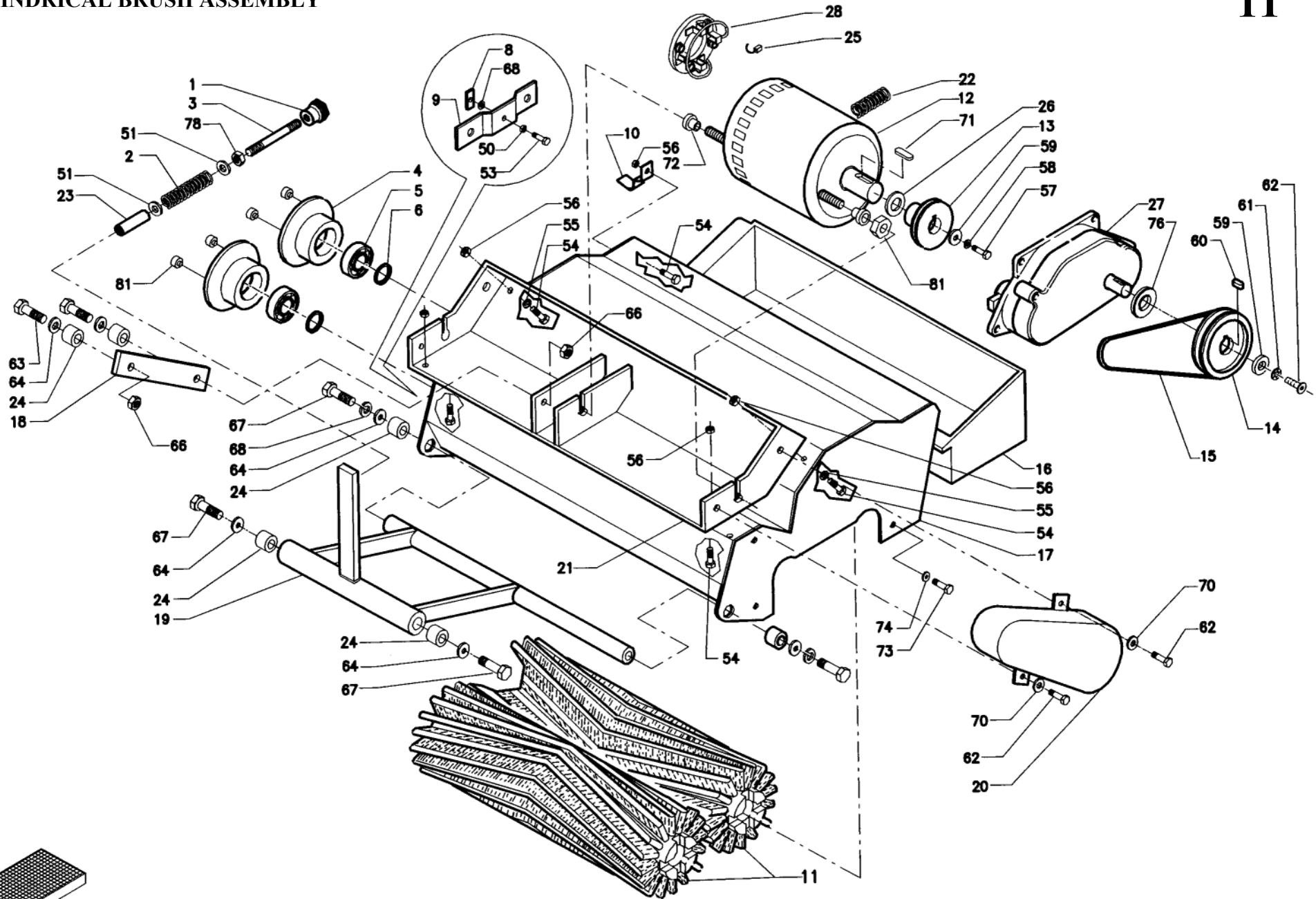
Item	Part Number	Description	Qty.
*13	40711010	Stud Bolt	1
*14	40311020	Nut	2
*15	40711030	Chain w/clip	2
16	67512270	Vacuum Hose	1
17	882030	Clamp	1
*50	964133	Screw	
*51	964110	Screw	
*52	924054	Nut	
*53	71020603	Lock Nut	
*54	70911030	Screw	
*55	980064	Washer	
*56	924055	Lock Nut	2
*	A9607003	Squeegee Assembly	



## 30R - DRAWING 10

Item	Part Number	Description	Qty.
1	68230550	Geared Motor	1
2	42212080	Lever	1
3	885030	Key	1
4	41212030	Bracket	1
5	71404003	Spring Pin	2
6	42212060	Roller	1
6A	41212040	Roller	1
7	70300004	Joint Chain	2
8	980065	Washer	1
9	70300009	Chain	1
10	70300016	Chain	1
11	70300018	Chain	1
12	42212030	Coupling	1
13	42212040	Lever	1
13A	42212050	Lever	1
14	67010140	Wheel	2
15	42212020	Arm	1
15A	42212010	Arm	1
16	42212070	Rubber	1
17	74008010	Handwheel	2
18	69210270	Spring	2
19	40312180	Adjuster	1
20	40312190	Adjuster Nut	1
51	70910602	Screw	1
52	70940403	Screw	2
53	980043	Washer	6

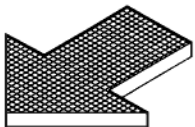
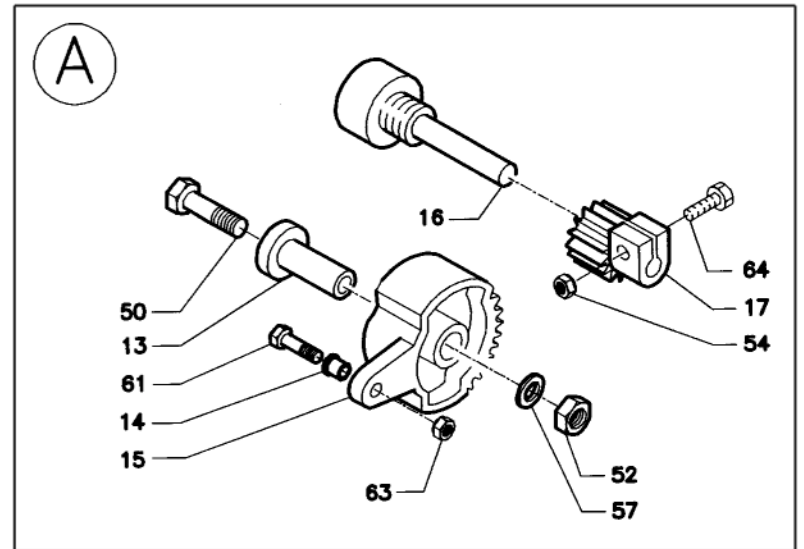
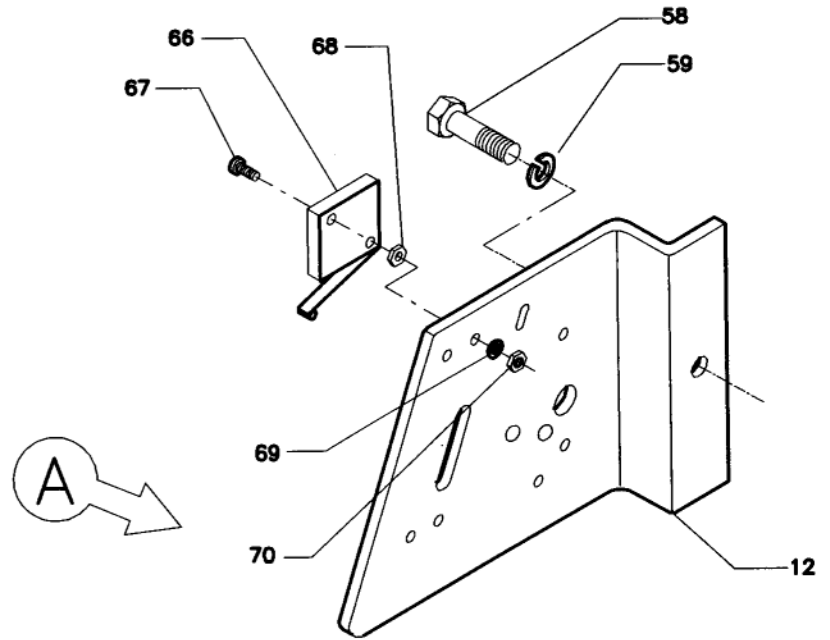
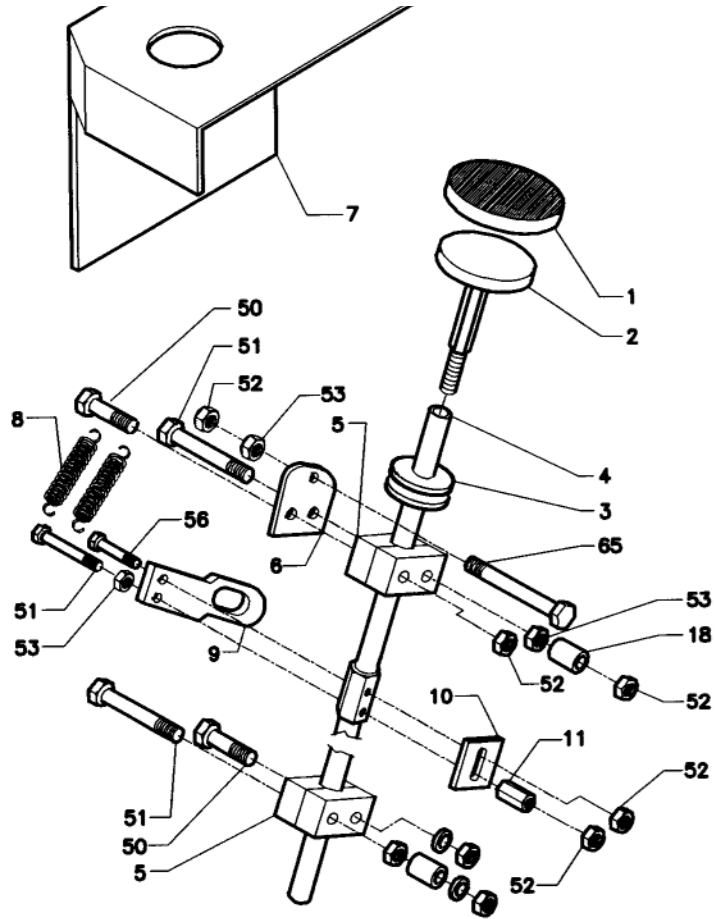
Item	Part Number	Description	Qty.
54	964111	Screw	2
55	71110007	Washer	2
56	964107	Screw	1
57	71106009	Washer	2
58	70911021	Screw	2
59	71110006	Washer	4
60	69104070	Bushing	2
61	924029	Lock Nut	2
62	964121	Screw	2
63	980039	Washer	
64	924055	Lock Nut	2
65	70911203	Screw	1
66	924042	Nut	1
67	70911206	Screw	2
68	980048	Lock Washer	2
69	980046	Washer	2
70	69121060	Bushing	1
71	71112003	Cupped Washer	
72	980046	Washer	
73	71706092	Carbon Brush Motor	2
74	70910511	Screw	
75	924032	Lock Nut	
76	72105003	Microswitch	2
77	924055	Lock Nut	
78	70911211	Screw	



## 30R - DRAWING 11

Item	Part Number	Description	Qty.
1	74008006	Knob	1
2	69210460	Spring	1
3	42207090	Shaft	1
4	888530	Right Support	2
5	902028	Bearing	2
6	887630	Oil Seal	2
8	924024	Wing Nut	1
9	885132	Cross Beam	1
10	69230450	Spring	1
11	66822010	Brush	2
12	68230910	Motor	1
13	69410180	Pulley	1
14	886931	Pulley	1
15	70110014	Belt	1
16	42207010	Hopper	1
17	42207020	Tunnel	1
18	42207050	Arm	1
19	42207040	Arm	1
20	42207060	Cover	1
21	42207030	Support	1
22	69210490	Spring	1
23	69021060	Spacer	1
24	69105100	Bushing	4
25	71706092	Carbon Brush Motor	2
26	69021070	Spacer	1
27	883530	Reduction Gear Assembly	1
28	72901033	Carbon Brush Holder	1
50	924025	Nut	

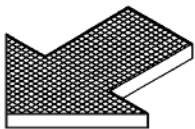
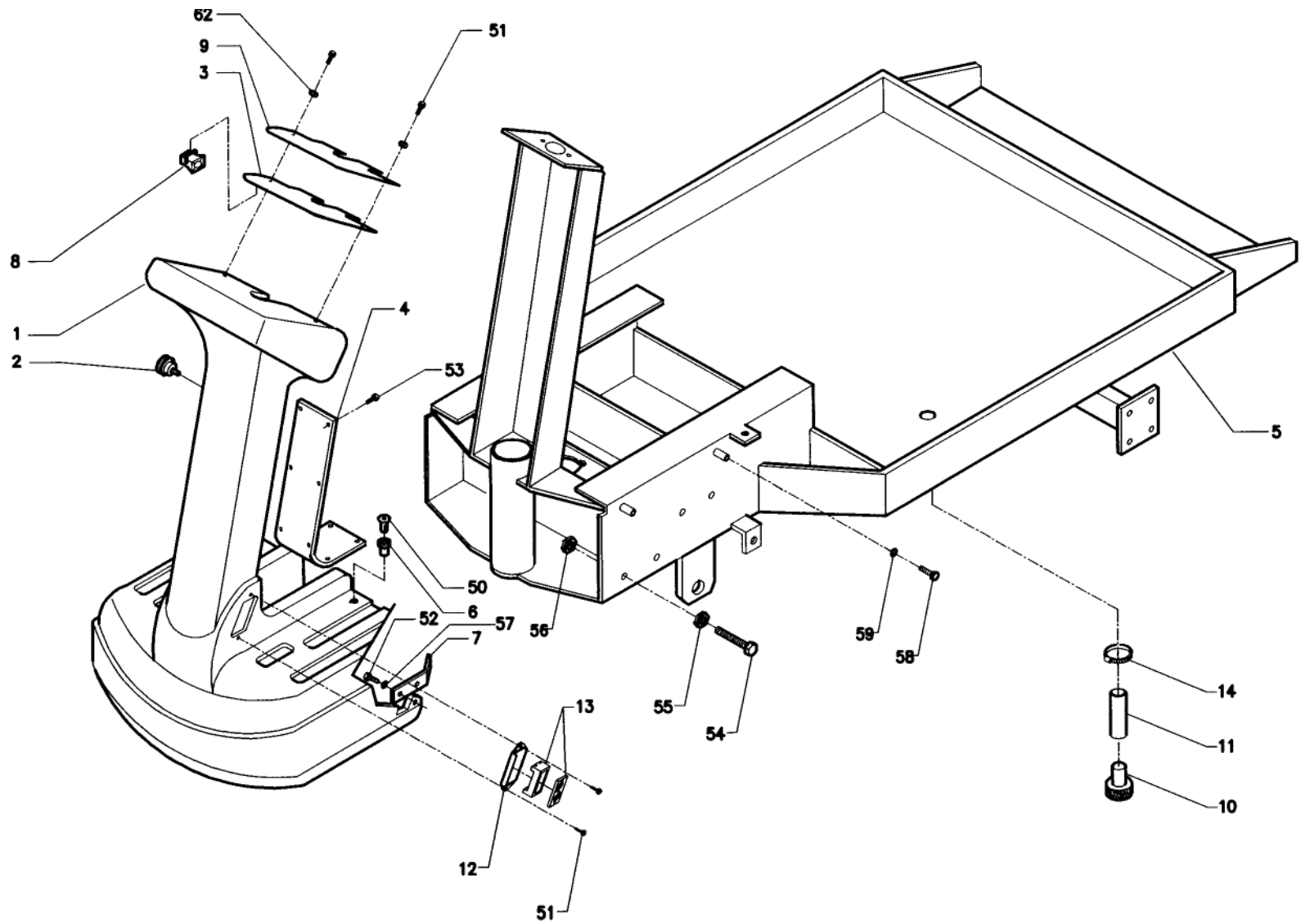
Item	Part Number	Description	Qty.
51	980044	Washer	
53	964060	Screw	
54	964080	Screw	
55	980062	Washer	
56	924050	Nut	
57	964116	Screw	
58	71106009	Washer	
59	980038	Washer	
60	885031	Key	1
61	71105006	Washer	
62	964082	Screw	
63	70910811	Screw	
64	71108005	Washer	
66	71020804	Lock Nut	
67	964060	Screw	
68	980069	Washer	
70	980071	Washer	
71	885030	Key	1
72	42207080	Bushing	2
73	964064	Screw	
74	71306002	Lock Washer	
75	980039	Washer	
76	888230	Spacer	1
77	924035	Nut	
78	70910602	Screw	
79	924051	Nut	
80	886851	Cap	4



## 30R - DRAWING 12

Item	Part Number	Description	Qty.
1	42218020	Pedal Cover	1
2	42228060	Pedal Cover	1
3	883840	Fair-Lead	1
4	42228010	Rod	1
5	882043	Clamp	4
6	42228030	Support	1
7	42228110	Cover	1
8	888336	Spring	2
9	42228050	Plaque	1
10	42228040	Plaque	1
11	69021050	Spacer	1
12	42228020	Support	1
13	69115070	Bushing	1
14	69121050	Bushing	1
15	41628010	Cam Wheel	1
16	72108002	Potentiometer	1
17	41628020	Pinion	1
18	69021040	Spacer	2

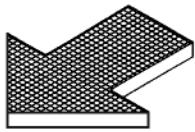
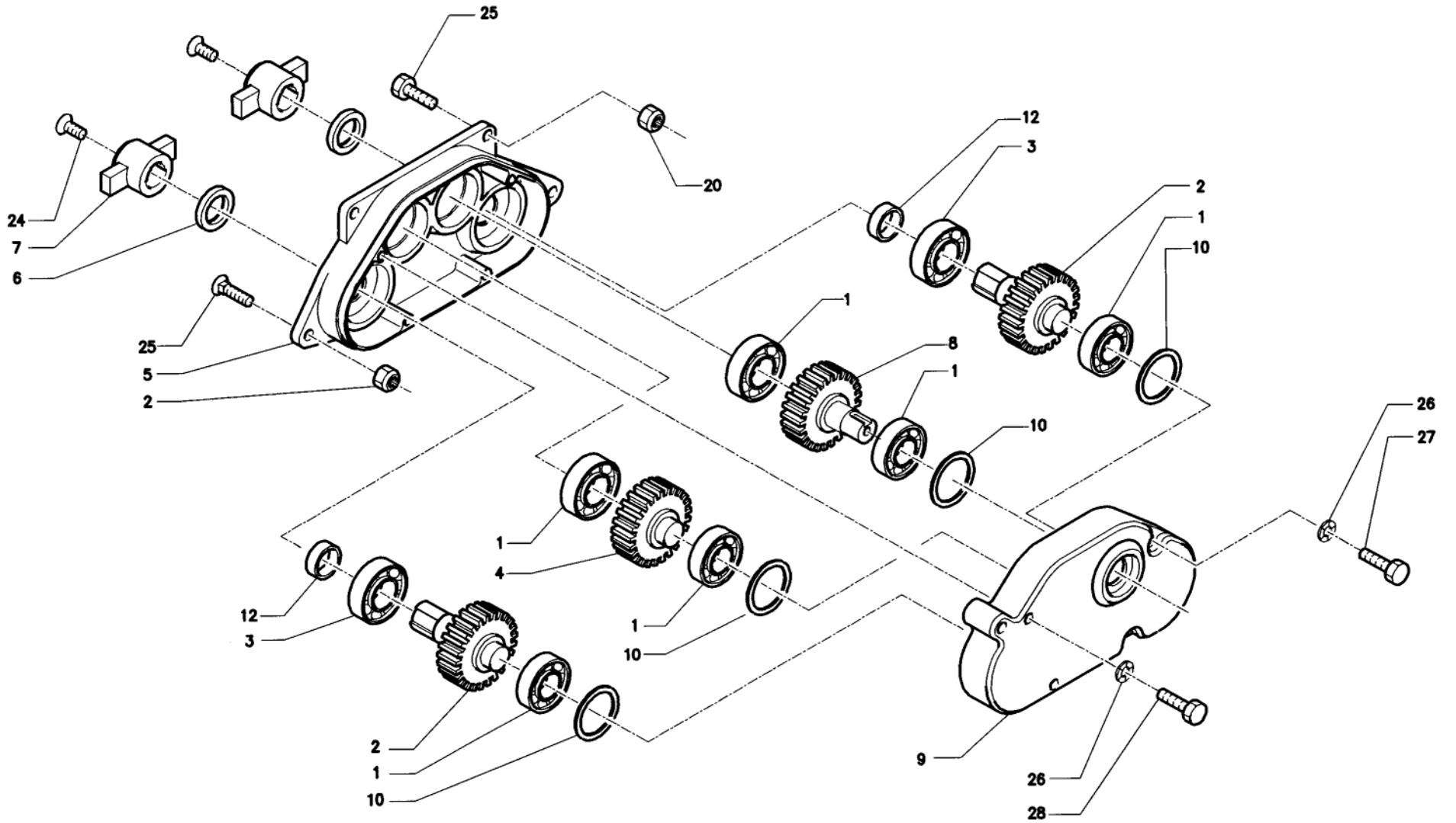
Item	Part Number	Description	Qty.
50	70910621	Screw	3
51	70910628	Screw	3
52	924026	Nut	8
53	924063	Nut	4
54	924029	Nut	1
56	964083	Screw	1
57	980062	Washer	7
58	964086	Screw	1
59	980069	Washer	1
61	964065	Screw	1
63	924032	Nut	1
64	964070	Screw	1
65	964079	Screw	1
66	911170	Micro Switch	1
67	964101	Screw	
68	924041	Nut Brass	
69	980054	Washer	
70	924043	Lock Nut	



## 30R - DRAWING 13

Item	Part Number	Description	Qty.
1	42246010	Front Cover	1
2	72905009	Push Button Horn	1
3	42246100	Instrument Board	1
4	42246060	Cover	1
5	69922100	Frame	1
6	42246120	Spacer	2
7	42246110	Bracket	2
8	72905016	Horn	1
9	66401303	Decal	1
10	886852	Cap	1
11	67522240	Pipe	1
12	42251040	Plaque	1
13	72400004	Fuseholder	1

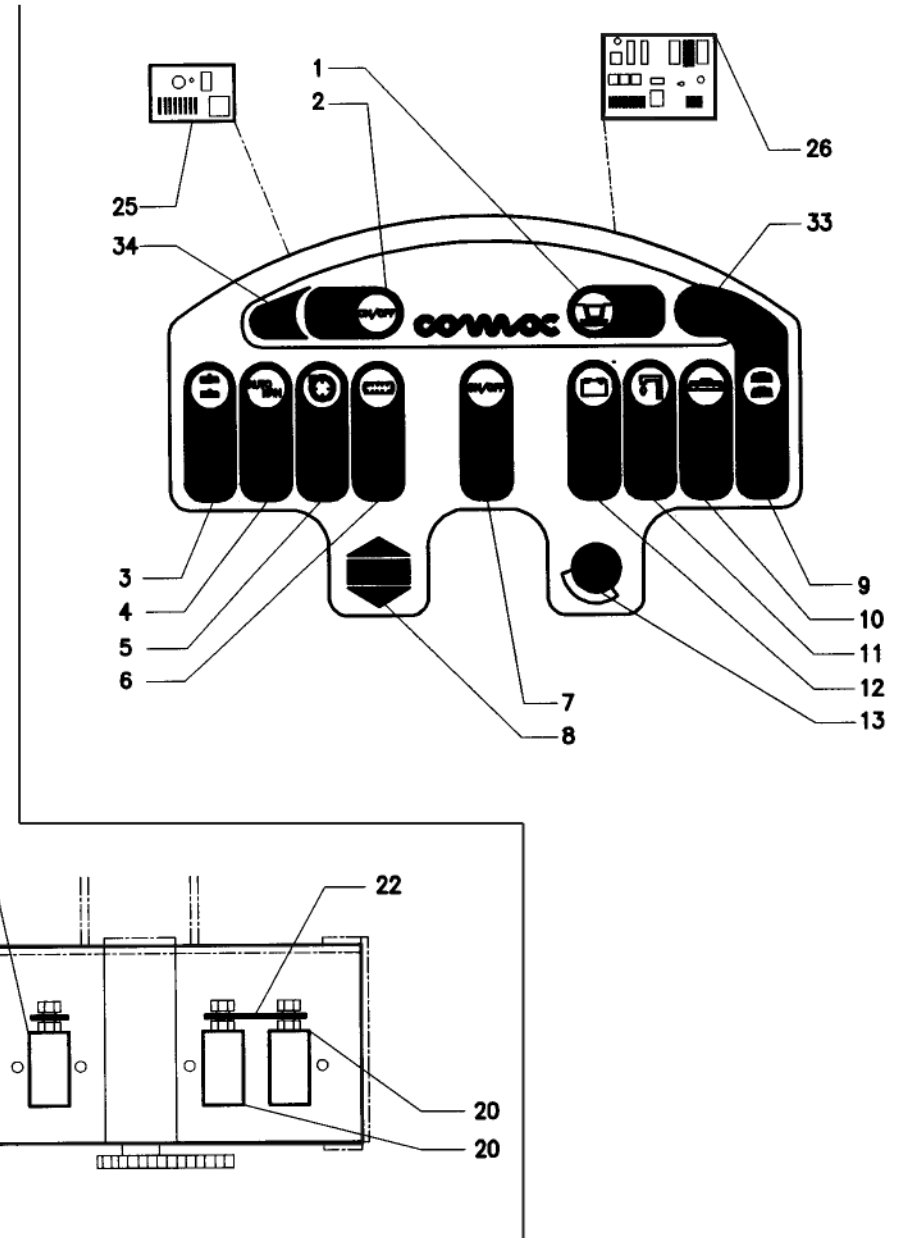
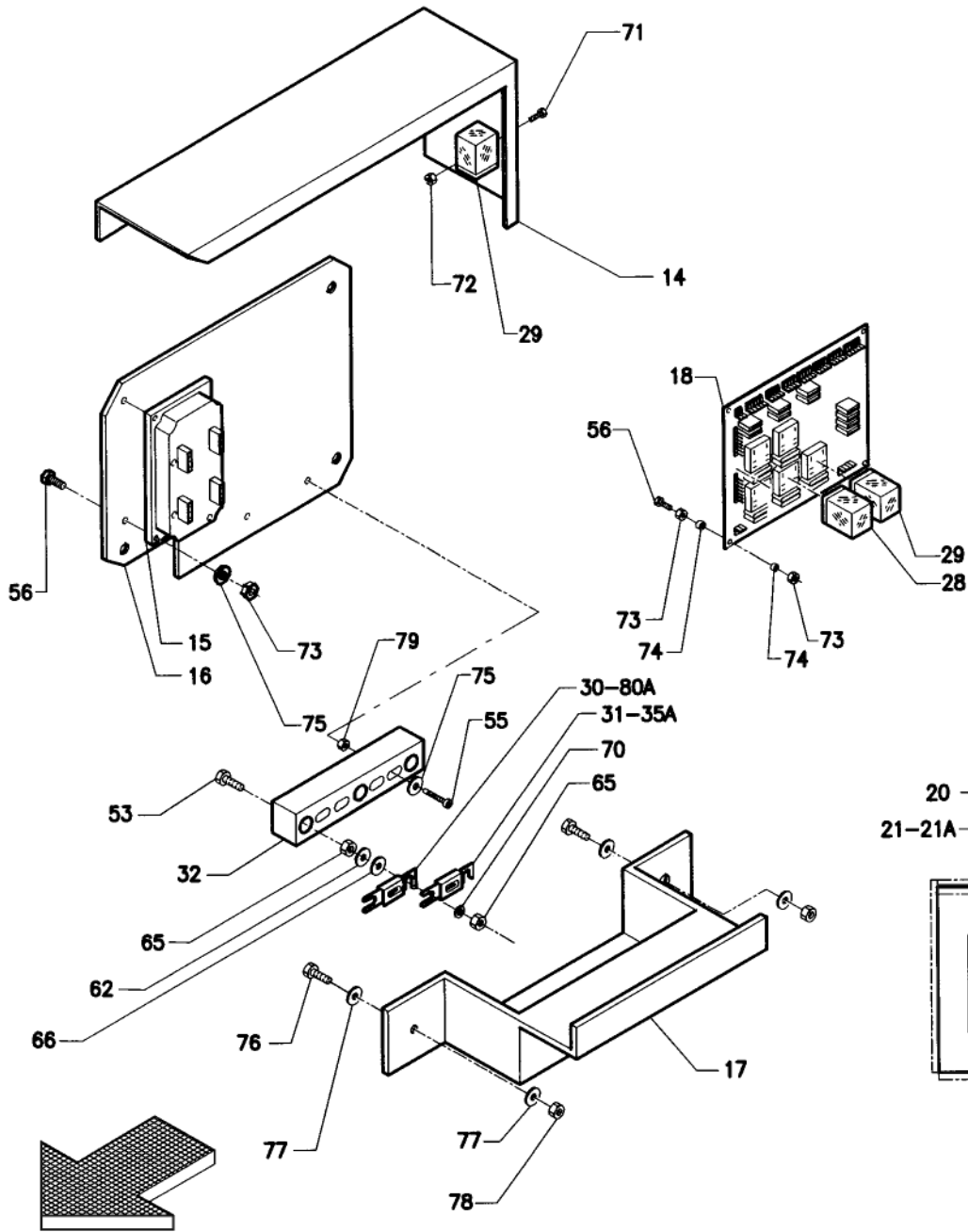
Item	Part Number	Description	Qty.
14	74220061	Clamp	1
50	70980605	Screw	
51	964126	Screw	
52	964109	Screw	
53	70944203	Screw	
54	964079	Screw	
55	924063	Nut	
56	924026	Lock Nut	
57	71106009	Washer	
58	964062	Screw	
59	980041	Lock Washer	
62	71104006	Washer	



## 30R - DRAWING 14

Item	Part Number	Description	Qty.
1	902029	Bearing	6
2	883531	Driven Gear	2
3	902030	Bearing	2
4	883532	Idle Wheel	1
5	884230	Reduction Gear Box	1
6	887630	Oil Seal	2
7	882430	Coupling	2
8	883533	Driving Gear	1
9	882330	Cover	1
10	887331	Ring	4

Item	Part Number	Description	Qty.
12	888231	Spacer	2
20	924026	Lock Nut	
23	964061	Screw	
24	964063	Screw	
25	964064	Screw	
26	980041	Lock Washer	
27	70940509	Screw	
28	70940510	Screw	
	883530	Reduction Gear Assembly	1

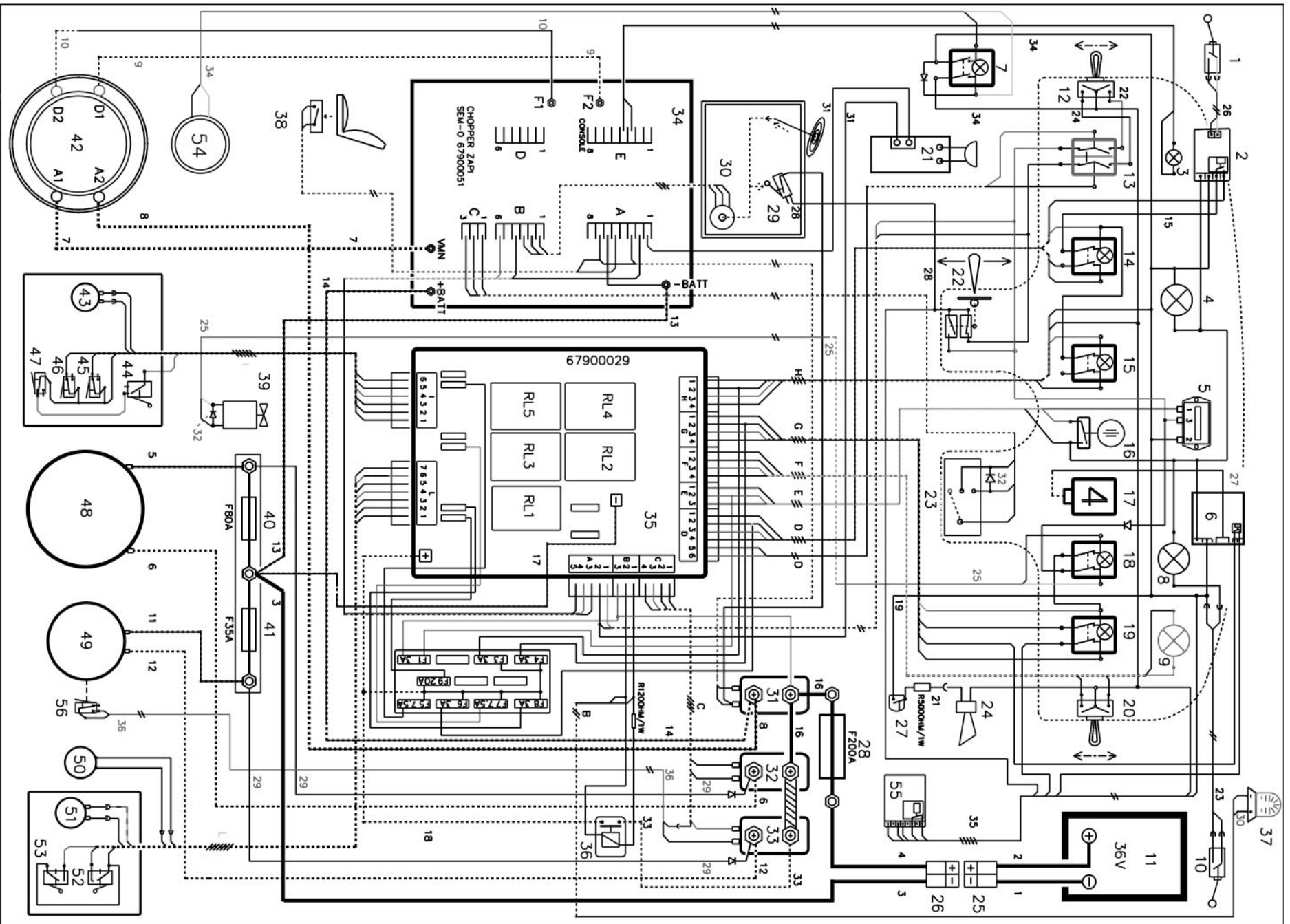


## 30R - DRAWING 15

Item	Part Number	Description	Qty.
1	72300204	Signal Lamp Red	1
1A	72300006	Electric Bulb	1
1B	72300201	Body Signal Lamp	1
1C	72300207	Lamp Holder	1
2	72300203	Signal Lamp Green	1
3	40651110	Manipulator	1
4	72101006	Switch	1
5	72102005	Switch	1
6	72102005	Switch	1
7	72199012	Switch with Keys	1
7A	72107004	Contact	1
7B	72908010	Key	1
8	68303130	Manipulator	1
9	40651110	Commutator & Lever	1
10	72102005	Switch	1
11	72102005	Switch	1
12	72300117	Signal Lamp	1
13	68303150	Commutatore	1
14	42251020	Cover	1
15	67900051	Chopper Card	1
16	42251010	Panel	1
17	42251030	Cover	1
18	67900029	Check Card Controls	1
20	68430110	Remote Control Switch	1
21	72400008	Fuseholder	1
21A	72420002	Fuse	1

Item	Part Number	Description	Qty.
22	72906004	Bridge	1
25	67900043	Check Card	1
26	67903001	Check Card	1
28	68420510	Relay	4
29	887550	Relay	2
30	72408001	Fuse	1
31	72403502	Fuse	1
32	72400009	Fuseholder	1
33	72300214	Signal Lamp	1
34	68022041	LED Alarm	1
53	70911022	Screw Brass	
55	70920406	Screw	
56	964070	Screw	
62	980064	Washer	
65	71011007	Brass Nut	
66	71110010	Brass Washer	
70	71110007	Washer	
71	70940301	Screw	
72	924043	Lock Nut	
73	924031	Nut	
74	980059	Washer	
75	980043	Washer	
76	964062	Screw	
77	980066	Washer	
78	924032	Lock Nut	
79	924029	Lock Nut	

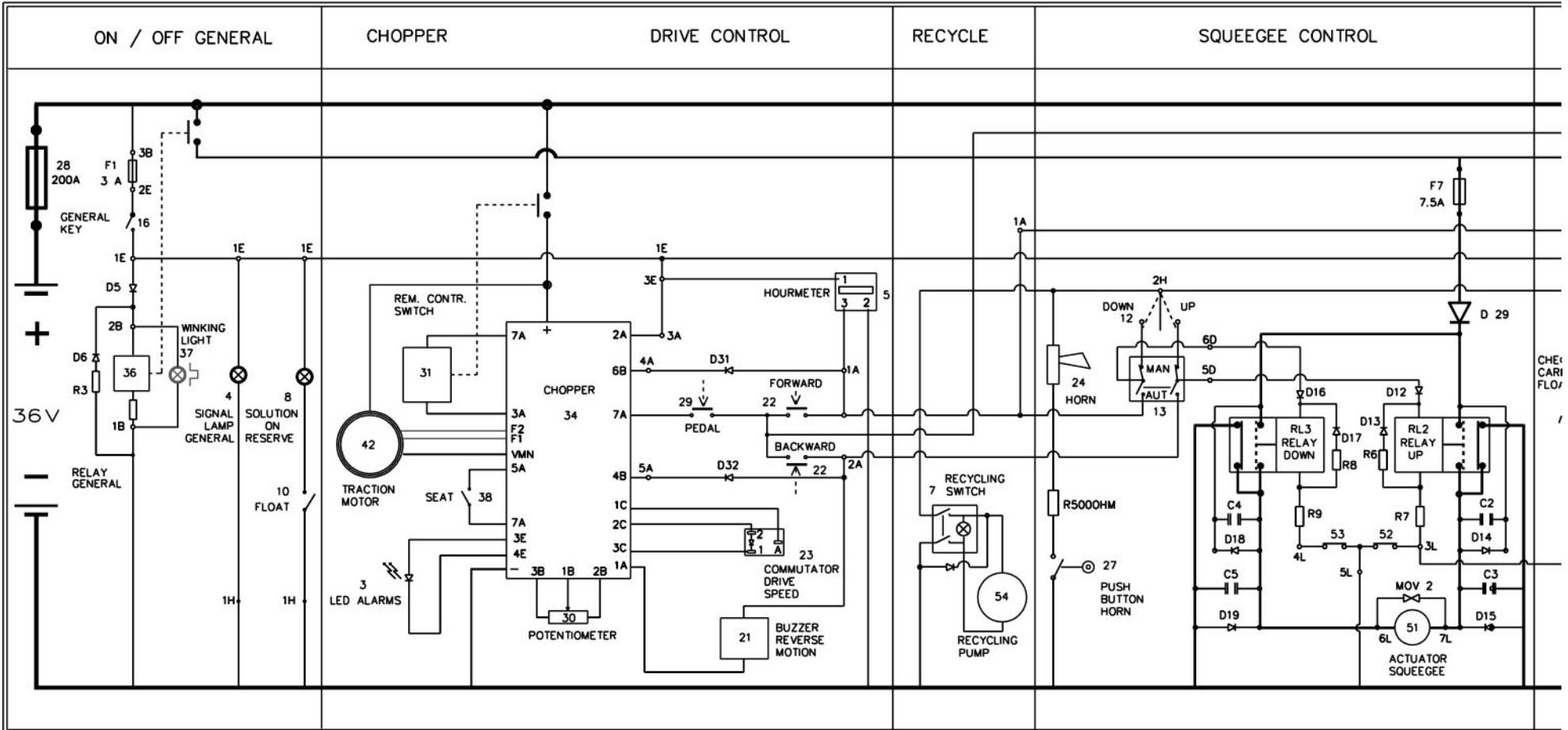
# 30R WIRING SCHEMATIC



## ScrubMaster 30R ELECTRICAL COMPONENTS PARTS LIST

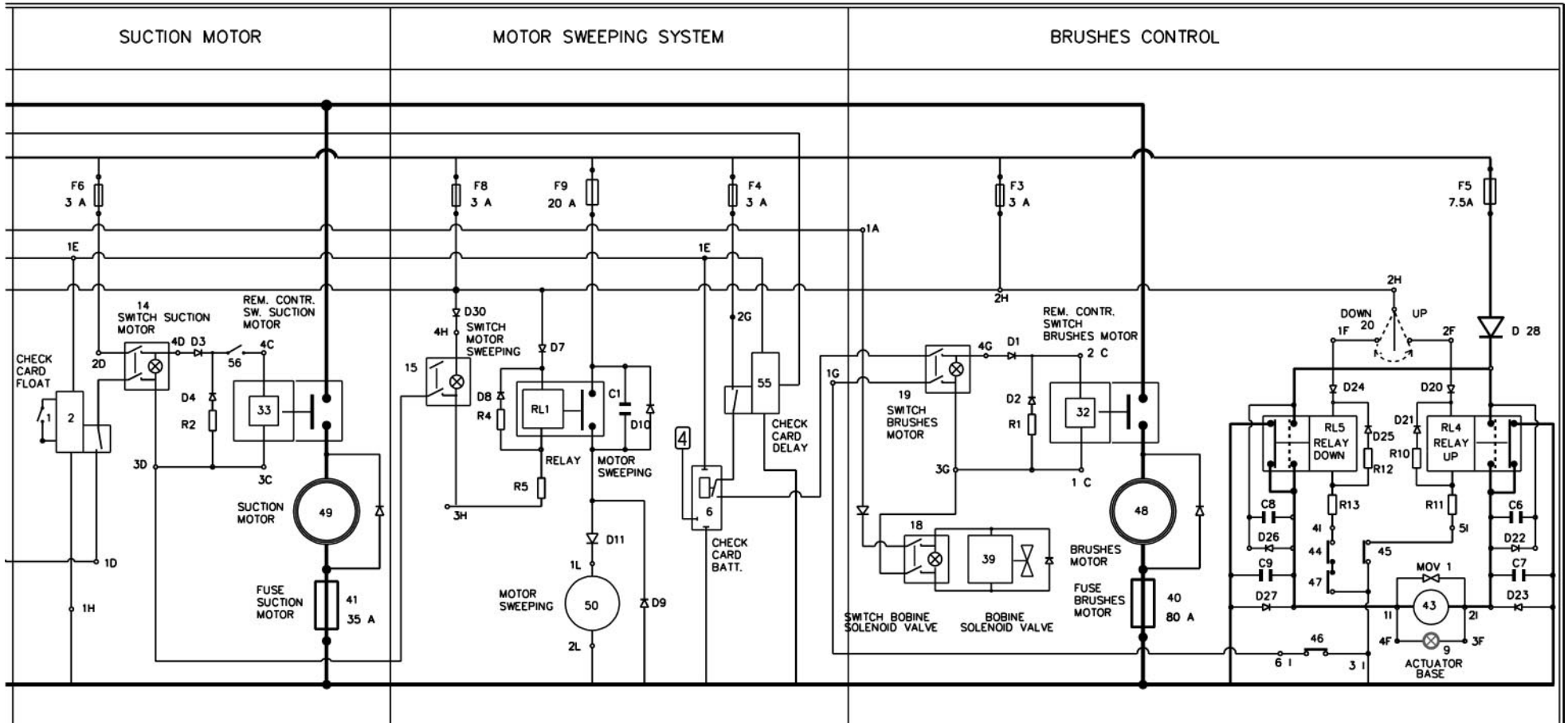
Position	Part Number	Description
1	72199004	Float Switch Recovery Tank Full
2	67900043	Check Card Float 36V
3		LED Alarms
4	72300203	Signal Lamp Green 36V On/Off General
5	72904002	Hourmeter
6	67903001	Level Battery Check Card
7	72102005	Switch and Green Lamp for Pump (Optional)
8	72300204	Signal Lamp Red 36V Solution Tank Empty
9	72300214	Signal Lamp Yellow 36V Actuator Brushes Base
10	72199004	Float Switch Solution Tank Empty
11		Batteries
12	40651110	Manipulator Squeegee Up/Down
13	72101006	Bipolar switch Yellow Protected Aut/Man Squeegee
14	72102005	Bip. Switch W/Green Signal Lamp 36V Prot. Suction Motor
15	72102005	Bip. Switch W/Green Signal Lamp 36V Prot.Mot. Sweeping (Opt)
16	72107004	Contact On/Off General Key
17	72300117	Signal Control Batteries
18	72102005	Bip. Switch W/Green Signal Lamp 36V Prot. Solenoid Valve
19	72102005	Bip. Switch W/Green Signal Lamp 36V Prot. Brushes Motor
20	40651110	Manipulator Brushes Base Up/Down
21	72905023	Buzzer Reverse Motion (Optional)
22	68303130	Manipulator Drive Forwards/Backwards
23	68303150	Commutator Drive Speed
24	72905016	Horn 12V
25	68022001	Cables Battery with Connector 160A
26	68022002	Cables Battery with Connector 160A
27	72905009	Push Button Horn
28	72420002	Fuse 200A Protected General Batteries
29	911170	Microswitch Drive Control
30	72108002	Potentiometer ABJ 2,5K
31	68430110	Remote Control Switch Chopper
32	68430110	Remote Control Switch Brushes Motor
33	68430110	Remote Control Switch Suction Motor
34	67900051	Chopper Card Sem-0 36/150
35	67900029	Check Card Control and Commands
36	887550	Relay General

Position	Part Number	Description
37	72905024	Winkjing Light (Optional)
38	72105011	Switch Safety on Operator Seat
39	68523020	Bobine Solenoik Valve Solution
40	72408001	Fuse 80A Protected Brushes Motor
41	72403502	Fuse 35A Protected Suction Motor
42		Traction Motor
43	66200340	Actuator Brushes Base
44	911170	Stop Brushes Base Down
45	72105010	Stop Brushes Base Up
46	72105010	Stop Brushes Motor
47	72105010	Stop Brushes Base Down
48	68230900	Brushes Motor
49	68130330	Suction Motor
50	68230910	Motor Sweeping System (Optional)
51	68230550	Gear Motor Squeegee (+ Sweeping Group)
52	72105003	Stop Squeegee Up
53	72105003	Stop Squeegee Down
54	68701010	Pump (Option Recycle)
55	67900054	Brush Motor Switch on Delay Card (Option)
56	72105009	Vacuum Motor Microswitch
57	72400013	Sealed Fuses Box
F1	72400301	Fuse 3A Faston General Key - Chopper - Signal Lamps
F3	72400301	Fuse 3A Faston Control Up/Down Brushes-SqueegeeManual
F3A	72400501	5A Fuse (For Recycling Version - Option)
F4	72400301	Fuse 3A Faston Control Brushes Motor
F5	72407501	Fuse 7,5A Faston Actuator Brushes Base
F6	72400301	Fuse 3A Faston Conrol Suction Motor
F7	72407501	Fuse 7,5A Faston Actuator Squeegee
F8	72400301	Fuse 3A Faston Control Motor Sweeping System (Optional)
F9	72402001	Fuse 20A Faston Motor Sweeping System (Optional)
RL1	887550	Relay Motor Sweeping System (Optional)
RL2	68420510	Relay Squeegee Up
RL3	68420510	Relay Squeegee Down
RL4	68420510	Relay Brushes Base Up
RL5	68420510	Relay Brushes Base Down



COLOR LEGEND

- 1, 2, ... = COMPONENTS
- 1A, 2A, ... = CONNECTIONS CHECK CARD CONTROL AND COMMANDS
- R1, D1, ... = COMPONENTS CHECK CARD CONTROL AND COMMANDS
- 1A, 2A, ... = CONNECTIONS CHOPPER CARD SEM-0
- = POSITIVE CABLE
- = NEGATIVE CABLE



## ELECTRICAL CABLES PARTS LIST

Position	Part Number	Description	Location	Location
1-2	68022001	Cable 2x25x900+Connector 160A 1-2	36V Battery 11	Connector 25
3-4	68022002	Cable 2x25x900+Connector 160A 3-4	Connector 26	(+) Fuse 28/ (-) Fuses 39, 40
5-6	68022003	2 Cables 10x500-900 5-6	(-) Fuse 40 / (+) R.X.S. 32	Brushes Motor 48
7	68022004	Cable Black 16x920 7	VMN Chopper	Traction Motor 42
8	68022005	Cable Black 16x800 8	R.C.S. Chopper 31	Traction Motor 42
9	68022006	Cable 6x900 9	F2 Chopper 34	Traction Motor 42
10	68022007	Cable Red 6x900 10	F1 Chopper 34	Traction Motor 42
11-12	68022008	2 Cables W/Connector 30A 11-12	(-) Fuse 40 / (+) R.X.S. 33	Suction Motor
13	68022009	Cable Black 16x170 13	Fuse 39,40	- Battery Chopper
14	68022010	Cable Red 16x450 14	R.C.S. Chopper 31	+ Battery Chopper
15	68022011	Cable Black 0,5x200 15	Check Card Float 2	Switch Suction Motor 14
16	68022012	Cable Black 16x100 16	Fuse 28 R.C.S. Chopper 31	R.C.S. Chopper 31 Remote Control Switch 32
17	68022013	Cable Black 2,5x220 17	Fuses 39, 40	- Card Control/Commands 35
18	68022014	Cable Red 4x200 18	Relay General 36	+ Card Control/Commands 35
19	68022015	Cable Black 0,5x400 19	Neg. Common Term.BD. "H"	Push Button Horn 27
21	68022017	Cable Black 0,5x400 21	Horn 24	Push Button Horn 27
22	68022018	Cable Yellow 0,5x100 22	Bip. Switch Man/Aut 13	Manip. Up/Down Squeegee 12
23	68022019	Cable 2x0,5x3800 23	Lamp Sol. Tank Empty 8/ Neg. Common Term.BD. "H"	Float Solution 10
24	68022020	Cable Green 0,5x100 24	Bip. Switch Man/Aut 13	Manip. Up/Down Squeegee 12
25	68022021	Cable 2x0,5x1800	Switch Solenoid Valve 18	Bobine Solenoid Valve 39
26	68022022	Cable 2x0,5x3300 26	Check Card Float 2	Float Recovery Tank 1
27	68022023	Cable Flat 10x100 27	Check Card Batteries 6	Signal Contr. Batteries 17
28	68022036	2 Cables 0,5x2000 70	Drive Pedal 29	Manipulator Drive 22
29	68022038	Cable Blue 2,5x400 W/Diode 29	Fuse 80A 40 Fuse 35A 41	Remote Control Switch 32 Remote Control Switch 33
30	68022039	Cable W/Ter.BD 2x0,5x2800-30-OP. Wink	Card Control/Command 35	Winking Light 36
31	68022040	Cable 2x0,5x3000 - 31 (Opt. Buzzer Backward)	Card Control/Command 35 Chopper Card 34	Buzzer Reverse Motion 21

## ELECTRICAL CABLES PARTS LIST

Position	Part Number	Description	Location	Location
32	72500008	Diode IN4007 with Faston M.F. (152)	Solenoid Valve 39 Commutator Drive 23	
33	68022042	Cable Red 4x600 33	Remote Control Switch 33	Relay General 36
A	68022024	Cable with Terminal Board - A	Card Control/Command 35	Nanip. Drive 22/Bip. Switch Man/Aut 13/ Hourmeter 5/ Switch Solenoid Valve 18
B	68022025	Cable with Terminal Board - B	Card Control/Command 35	P.C.S. Chopper 31 / Relay General 36
C	68022026	Cable with Terminal Board - C	Card Control/Command 35	Remote Contr. Switches 32,33
D	68022027	Cable with Terminal Board - D	Card Control/Command 35	Bip. Switch Man/Aut 13 / Card Float 2 / Switch Suct. Mtr. 14
E.	68022028	Cable with Terminal Board - E	Card Control/Command 35	Hourmeter 5 / Key 16
F	68022029	Cable with Terminal Board - F	Card Control/Command 35	Manipulator Up/Down Base 20 / Lamp Actuator Base 9
G	68022030	Cable with Terminal Board - G	Card Control/Command 35	Switch Brushes Motor 19/ Card Brush Block System 7/ Switch Solenoid Valve 18
H	68022031	Cable with Terminal Board - H	Card Control/Command 35	Switch Mtr Sweeping Syst. 15 Manipulators 12,20 / Lamp General 4 / Card Float 2/ Hourmeter 5 / Card Batt. 6
I	68022032	Cable with Terminal Board - I	Card Control/Command 35	Acutat. Base 43,44,45,46,47
L	68022033	Cable with Terminal Board - L	Card Control/Command 35	Geared Mtr. Squeegee 51,52,53/ Motor Sweeping System 50
A CH	68022034	Cable with Terminal Board - A Chopper	Chopper Card 34	Switch Seat 38 /R.C.S. Chop. 31 / Drive Pedal 29 / Card Control and Comm. 35/ -Batt Chop 34
B CH	68022035	Cable with Terminal Board - B Chopper	Chopper Card 34	Potentiometer 30 / Card Control and Commands 35
C CH	68022037	Cable with Terminal Board - C Chopper	Chopper Card 34	Commutator Drive Speed 23
E CH	68022041	Cable with Terminal Board - E Chopper	Chopper Card 34	LED Alarms 3

## WARRANTY POLICY

### PACIFIC LIMITED WARRANTY

The **Pacific** ScrubMaster has been manufactured, tested and inspected in accordance with specific engineering requirements. This machine is WARRANTED to be free from defects in workmanship and materials for periods as follows from the date of purchase.

Ten (10) Years Parts, One (1) Year Labor – Polyethylene Components

Five (5) Years Parts, One (1) Year Labor – Main Frame

Two (2) Years Parts, One (1) Year Labor – Brush Drive Motors

One (1) Year Parts & Labor – All other components unless excluded below

Travel time for warranty repair is authorized for a period of ninety (90) days following the date of sale to the end user, with a maximum of three (3) hours per claim.

This warranty extends to the original user/purchaser and only when used, operated and maintained in accordance with **Pacific** Operating and Maintenance instructions.

This warranty does not apply to certain wear parts and accessories of the machine such as electrical cords, carbon motor brushes, floor brushes, belts, hoses, tools, squeegee blades, etc., nor does it apply to damage or failure caused by improper use, abuse or neglect. Warranty credit or replacement of return parts including motors, pumps, etc., is subject to incoming inspection of those items.

To secure repair under this warranty, the following procedure should be taken:

1. After the expiration of the ninety (90) day travel time warranty period, the customer is responsible for warranty travel payment or the inoperative machine or warranted parts must be delivered to the authorized dealer with shipping and delivery charges prepaid. If unable to locate the Dealer, you may contact **Pacific** at the address listed herein for the location of the nearest **Pacific** repair center or agent or for other instructions pertaining to your warranty difficulty.
2. Upon compliance with the above warranty procedure, all warranted repairs will be completed at no additional charge or cost to the user.
3. Only **Pacific** or its authorized dealers and agents may make no charge warranty repairs on this product. All others do so at their own risk.

This warranty limits **Pacific** liability to the repair of the product and/or warranted parts replacement and does not include incidental or consequential damages arising from the use of a **Pacific** machine whether defective or not.

#### **BATTERY WARRANTY**

In addition to the terms above, any original equipment Pacific Steamex Battery which becomes unserviceable under normal use within a period of ninety (90) days from date of sale to the original user will be repaired or replaced with one of equal specification at our option, F.O.B. any authorized Pacific Sales or Service Branch, with no charge to user, except transportation costs. After the expiration of the above ninety (90) day period, any battery which fails under normal use will be adjusted to the original user with a new battery of equal specification on a twelve (12) month pro rata basis from the date of purchase. Adjustment will be determined using the then current list price, plus transportation costs. Warranty is rendered null and void if battery is not kept filled to the proper level with DISTILLED WATER.

This warranty is in lieu of all other expressed or implied warranties and is extended to the original purchaser/user.

# PACIFIC

2259 Sheridan

Muskegon, Michigan 49442

Ph: (800) 968-1332 Fax: (231) 773-1642

[www.nextwaveofclean.com](http://www.nextwaveofclean.com)