



Electronic Service Manuals

This electronic document is provided as a service to our customers. We do not create the contents of the information contained in this document. Should you have detailed questions pertaining to the information contained in this document, you may contact Michco, or the manufacturer which provided the original information in this electronic deliverable. Michco's only part in this electronic deliverable was the electronic assembly process.

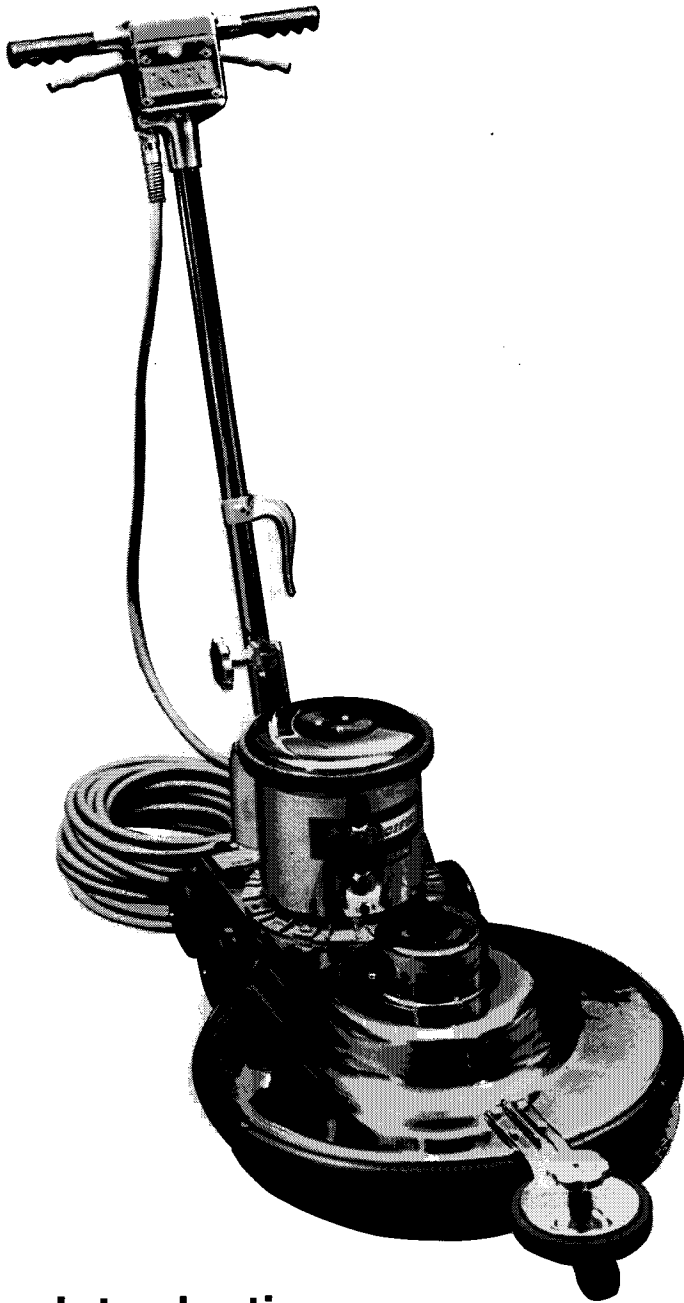
You may contact Michco through the following methods:
Phone (517) 484-9312 or (800) 331-3339 MI, OH, IN only
2011 N. High St. -- Lansing, Michigan -- 48906
Fax: (517) 484-9836
Email: CustServ@Michco.com
Web site: www.Michco.Com
Parts Web site: www.FloorMachineParts.Com

Order Parts on Line at:
www.FloorMachineParts.Com

Directly to Parts & Service:
By Email: **Shop@Michco.com**
By Fax: (517) 702-2041
By Voice: Use numbers above.

Serving the Cleaning Industry Since 1922

Notice: All copyrighted material remains property of original owners, all trademarks are property of respective owners. Manuals are subject to Manufacturer's reproduction limitations. Originals or reproductions were provided by manufacturers through a request. We make no warranty as to the correctness of information provided in this document and you assume all risk.



UHS BURNISHERS

MODELS

1040AC

1500DC

1040P

1500DCP

1280AC

2000DC

1500AC

2000P

800/1500 DCP

Introduction

READ THIS BOOK

This operator's book has important information for the use and safe operation of this machine. Read this book carefully before starting the machine. Keep this book and tell all operators to read the book. If you do not follow the instructions, you can cause an injury, or damage equipment, furniture or buildings.

All directions given in this book are as seen from the operator's position at the rear of the machine.

For new books, write to Pacific Steamex Cleaning Systems, Inc., 2259 S. Sheridan, Muskegon, Michigan 49442-6252.

Carefully inspect all components to insure that there is no concealed freight damage. If such damage is discovered, file a "CONCEALED DAMAGE REPORT" immediately with the delivering carrier.

The contents of the Manual are based on the latest product information available at the time of publication. Pacific Steamex reserves the right to make changes or improvements to its machines without notice.

FOR YOUR CONVENIENCE, RECORD THE MACHINE MODEL AND SERIAL NUMBERS HERE:

MODEL _____

SERIAL _____

OPERATING AND MAINTENANCE — ULTRA HI-SPEED

WARNING! For safe operation of this machine, follow the instructions given in this booklet and the training given by your supervisor. Failure to do so can result in personal injury and/or damage to machine and property!

DO NOT OPERATE MACHINE IN AN EXPLOSIVE ENVIRONMENT.

OPERATING

The models shown in this manual are intended for commercial use.

To prepare the machine for operation, make sure it is of the correct voltage and properly assembled. If in doubt, ask your supervisor.

Your unit operates in a straight line forward motion, rather than the usual side-to-side motion of a conventional single disc machine. Be prepared by having your floor area cleared and ready for the fast action of a burnisher.

Prepare the floor area by sweeping, dusting or mopping as needed. Check the proper application recommendations and procedures found on the label of your finish container. **CALL YOUR SUPERVISOR IF IN DOUBT.**



WARNING! NEVER USE THIS MACHINE WITH FLAMMABLE OR EXPLOSIVE MATERIAL.

FOR BURNISHING — Select the correct clean floor pad (your supplier can help you). The lighter color floor pads (buff or white) are normally used for the burnishing procedure.



NEVER OPERATE THE MACHINE WITHOUT THE FLOOR PAD INSTALLED!

It is very important to select clean dry pads of uniform thickness. Pads with high or low sections or hard or soft spots, are unacceptable. Pads of open weave are recommended as close weave pads tend to load up fast, bog down the machines, cause circuits to overload and generally give poor results.

Tip the machine back to expose the pad driver. Remove the pad center lock ring. Carefully center the pad onto the pad driver and secure with the locking ring. Check for level, centering and flatness.

Set the machine upright onto the pad. Plug the machine's power cable into a properly grounded outlet (see Safety Instructions). Next, release the handle locking knob and allow the handle to lower into a comfortable position. Secure the handle locking knob so as to allow the operator to easily control the brush pressure.

Depress the handle slightly to elevate the pad from the floor. This is to avoid burning the floor on initial start up, before the operator is ready to move forward. Pull out on the "Watch Dog" Safety Lock button and start the machine by depressing either the left or right switch levers.

When ready to move forward, lower the machine head and pad to the floor and proceed forward, in a straight line, at a steady pace. If the machine labors or slows down excessively, relieve the condition by adjusting the caster wheel downward (clockwise).

CIRCUIT BREAKER—A circuit breaker is used to protect the motor on DC models. If the motor draws high amperage the circuit breaker will stop the motor. The circuit breaker reset button is located in the front of the switch housing. Push the reset button to restart the motor. If the motor continues to stop reduce the pad pressure by adjusting the caster wheel and cleaning or changing the floor pad. If this does not correct the problem consult an authorized service person.

MAINTENANCE—Store the machine in a clean dry area. Wipe the entire machine and cord down with a clean cloth. Wrap the machine's electrical cord onto the handles and the cord hook provided. **CHECK** the cord and plug for nicks, cuts or damage. Report these to your supervisor for correction. Remove the pad and clean thoroughly. Store the machine so that its weight is resting upon both the transport and operating wheel to avoid pad driver distortion.



WARNING! Always disconnect the machine's electrical plug from the electrical outlet before performing any service, maintenance, pad changing or inspection of the machine.

LUBRICATION—No motor lubrication is required. Your machine has a grease fitting on the upper and lower pad driver bearings, lubricate annually. A drop of machine oil on the wheel axle shafts, the handle adjusting bolt and the compensator caster and adjusting knob periodically will suffice.

BELT TENSION—Proper belt tension is important to smooth operation and belt life. Check the belt tension and have no more than a 1/8" deflection. If adjustment is needed, loosen the four (4) motor mounting bolts, tip the machine back onto its transport wheels, slide the motor back and tighten the bolts.

Carbon Brush Inspection

Pacific installs longlife 3000 hour carbon motor brushes in their motors and equips the D.C. rectified burnishers with a carbon brush wear indicator light to signal a carbon brush change is required.

OPERATOR AND SAFETY INSTRUCTIONS

To assure the safe operation of this machine, you must read and understand all warnings and instructions in this book. If you do not understand, ask your supervisor.



WARNING: If you do not follow the instructions given in a warning, you or other persons could be injured, or damage could occur to the machine and/or property.

1. You must be trained to operate this machine. This machine is to be operated for its intended use only.
2. Do not operate this machine unless it is completely assembled.
3. Do not connect this machine to improper voltage. Always use a 3-wire grounded electrical supply. See electrical section below.
4. To prevent electrical shock, always disconnect the electrical plug of the machine from the electrical outlet before performing any repairs, maintenance or cleanup and when leaving the machine unattended.
5. To prevent electrical shock, keep the machine surface dry. Do not subject to rain. Store the machine in a dry building area. Clean the machine with a clean dry cloth only.
6. Do not use this machine near flammable liquids, solvents, gas, vapors or dust. Do not use flammables to clean this machine.
7. Maintenance or repairs to this machine must be performed by a qualified or authorized person.
8. Avoid damage to the machine's electrical cord. Always lift the machine over the cord. Do not run the machine over the electrical cord.
9. If warning or instruction labels are missing or damaged, order new replacement labels from **PACIFIC STEAMEX CLEANING SYSTEMS, INC.**



WARNING! Electrical Grounding Instructions

Grounding Instructions

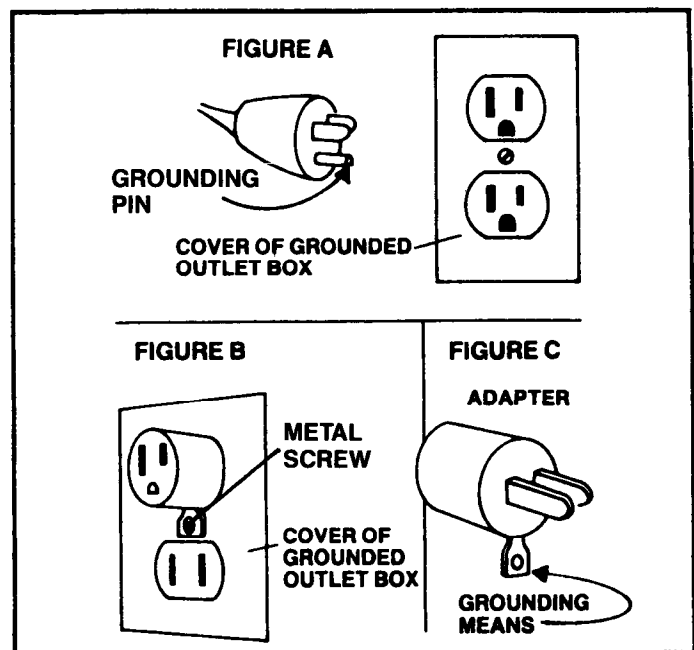
This floor-finishing machine shall be grounded while in use to protect the operator from electric shock. The machine is provided with a three-conductor cord and a three-contact grounding type attachment plug to fit the proper grounding type receptacle. The green (or green and yellow) conductor in the cord is the grounding wire. Never connect this wire to other than the grounding pin of the attachment plug.

If the floor-finishing machine is provided with an attachment plug as shown in sketch A it is intended for use on a nominal 120 volt circuit. If a properly grounded receptacle as shown in sketch A is not available, an adapter as shown in sketch C should be installed as shown in sketch B if the outlet box that houses the receptacle is grounded. Be sure to fasten the grounding tab with a metal faceplate screw.

Extension Cords

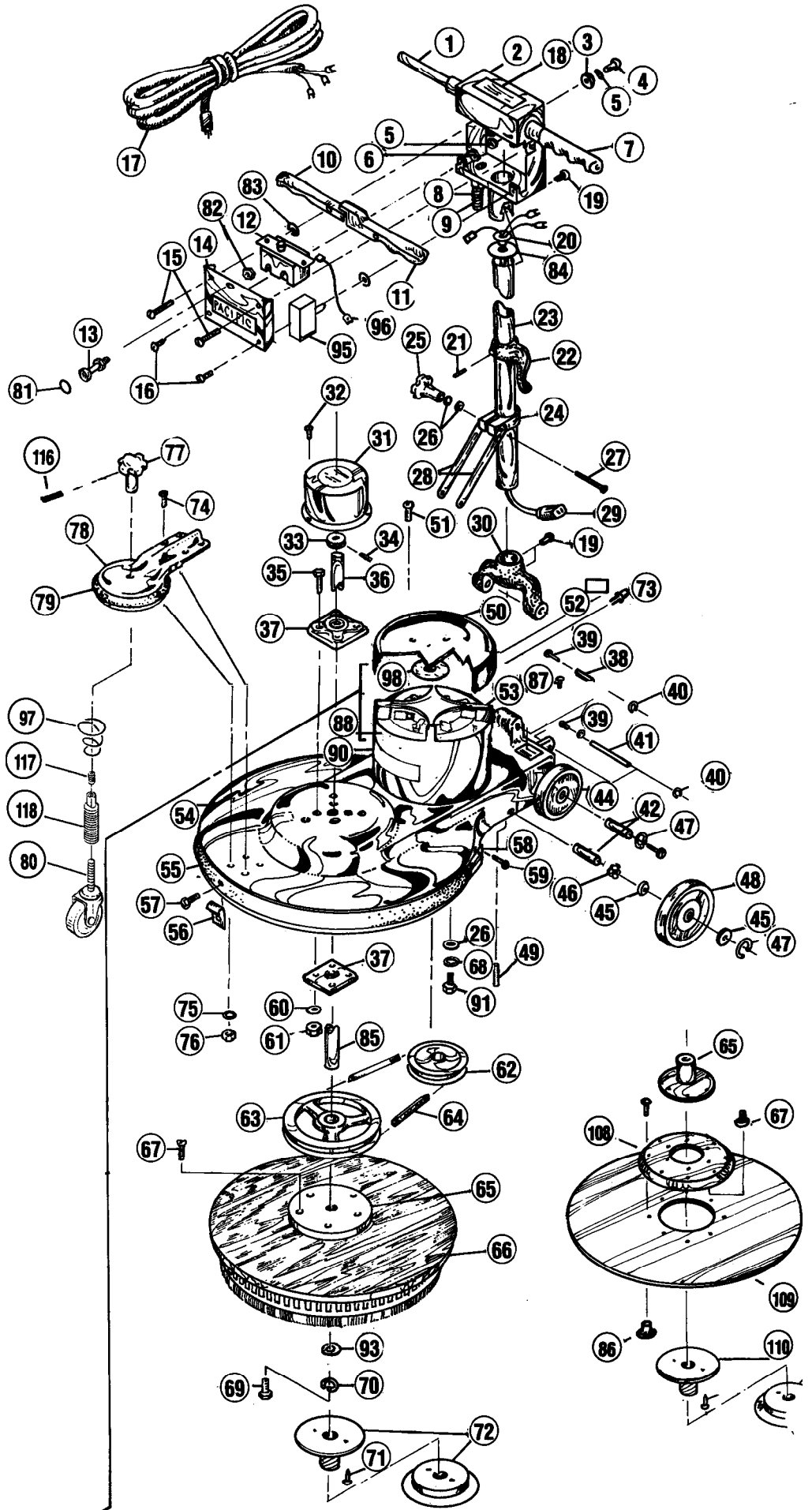
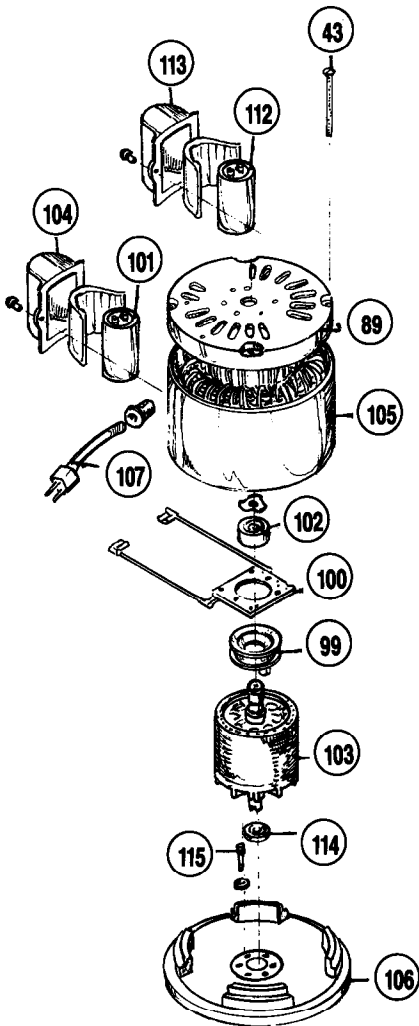
Use only three-wire 12/3 or larger gauge approved extension cords that have three-prong grounding type plugs and three-pole receptacles that accept the appliance's plug. Replace or repair any damaged cords or plugs.

When servicing, refer to authorized persons only. Use only identical replacement parts.



NOTE: Do not use adaptors shown in figures B & C in Canada.

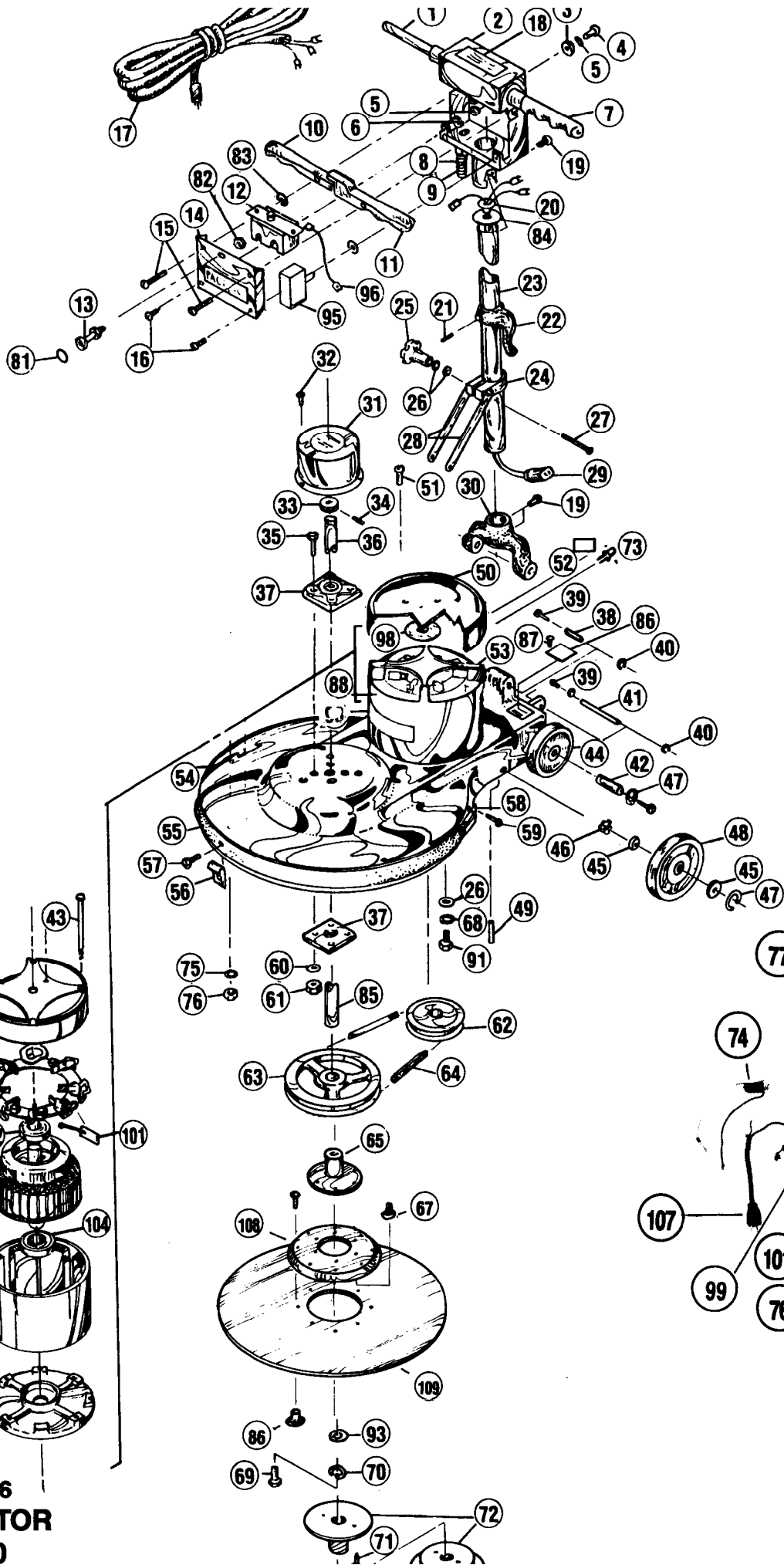
#505270
115V AC MOTOR



NOTE: 505286 DC MOTOR SHOWN ON PAGE 5

ITEM	PART NO.	DESCRIPTION	QTY.
1	505720	Handle Nipple	2
2	501320	Switch Box - w/o Breaker Polished	1
	501321	Switch Box - w/ Breaker Polished	1
	501322	Switch Box - w/o Breaker Painted	1
	501323	Switch Box - w/ Breaker Painted	1
3	501210	Handle Bumper	1
4	962003	Screw - 10-32 x 3/4 Pan Hd.	1
5	980001	Flat Washer - Handle Bumper	2
6	920001	Nut - 10-32 Elastic	1
7	503710	Handle Grip	2
8	502020	Strain Relief Brass Clamp	1
9	508520	Strain Relief Complete	1
10	505120	Switch Lever - Right	1
11	505121	Switch Lever - Left	1
12	508020	Switch	1
13	504810	Lock - Assembly Switch	1
14	506420	Cover - Switch Plate - Polished	1
	506421	Cover - Switch Plate - Painted	1
15	962011	Screw - 10-32 x 1-3/4 - Oval Hd.	2
16	962002	Screw - 10-32 x 1/2 Oval Hd.	2
17	502420	Cord Assembly - 14/3	1
18	506310	Label - Warning	1
19	962006	Screw - 1/4-20 x 1/2 Pan Hd.	3
20	503320	Flange - Strain Relief	1
21	962005	Set Screw - 1/4-20 x 3/8 Allen	1
22	504420	Cord Hook	1
23	509080	Handle Tube	1
24	502021	Handle Clamp	1
25	505010	Turn Knob	1
26	980003	Washer - 3/8 Flat	2
27	962009	Bolt - 5/16-16 x 2-1/2	1
28	500880	Brace	2
29	502480	Handle Cord Asm - AC Models	1
	908001	Handle Cord Asm. - DC Models	1
30	509920	Yoke	1
31	502382	Cover - Bearing	1
32	962015	Screw - 10-32 x 3/8 Pan Hd.	3
33	502481	Collar - Upper Shaft	1
34	962012	Set Screw - 5/16-18 x 1/4 Allen	1
35	962018	Bolt - 3/8-16 x 1-3/4 Hex Hd.	4
36	507780	Drive Shaft	1
37	501380	Block - Bearing	2
38	507481	Yoke Brace	1
39	962006	Screw - 1/4-20 x 1/2 Pan Hd.	2
40	507310	Retaining Ring 3/8" - Yoke Rod	2
41	507480	Rod - Yoke	1
42	507781	Wheel Axle	2
43	960011	Bolt - Motor Thru	4
44	509780	4" Wheel	2
45	509820	Wheel Washer - Fiber	12
46	980005	Wheel Wave Washer	8
47	507320	Snap Ring - 1/2 Shaft	4
48	509781	5" Wheel	2
49	962016	Set Screw - 10-32 x 3/8 Allen	1
50	502380	Cover - Motor - AC Models	1
	501280	Bumper - Motor Cover - AC	1
	502386	Cover - Motor - DC - Plated	1
	512303	Cover - Motor - DC - Painted	1
51	962019	Screw - #10-32 x 5/8 Pan Hd.	3
	962026	Screw - 8-32 x 1/2 Type F	3
52	506340	Label - Brush Indicator	1
53	505270	Motor - 1.5 HP - 115V - AC Models	1
	505286	Motor - 1-1/2 H.P. - 115V - DC Models	1
54	501880	Base Casting - Polished - AC Models	1
	501881	Base Casting - Polished - DC Models	1
	501882	Base Casting - Painted - DC Models	1
	501884	Base Casting - Painted - AC Models	1
55	501281	Bumper - Base	1
56	502110	Bumper Clip	3
57	962001	Screw - 10-32 x 1/4 Flt. Hd.	3

ITEM	PART NO.	DESCRIPTION	QTY.
58	508080	Bumper - Strap	1
59	962015	Bumper Strap Screw	2
60	980003	Washer - 3/8 Flat	4
61	920002	Nut - 3/8-16 Hex	4
62	506980	Pulley Motor - 1040AC, 1500DC, 2000DC	1
	506981	Pulley Motor - 1500AC	1
	506982	Pulley Motor - 1280AC	1
63	506983	Pulley - Pad Driver - AC Models	1
	506992	Pulley - Pad Driver - 2000DC	1
	506994	Pulley - Pad Driver - 1500DC	1
64	903001	Belt - 1500AC & 1500DC	1
	903002	Belt - 1280AC	1
	903003	Belt - 1040AC	1
	903005	Belt - 2000DC	1
65	503380	Flange - 1040, 1280, 1500AC & 2000DC	1
	503381	Flange - 1500DC	1
	503382	Flange - 1500DCP - Flex Dr	1
66	502780	Pad Driver	1
67	962020	Screw - #10 x 1-1/2 Wood	6
	962035	Screw - #10 x 1-1/4 Wood	6
	962036	Screw - 1/4-20 x 1 Flt. Hd.	6
68	980009	Washer - 3/8 Lock	4
69	962014	Bolt - 5/16-18 x 3/4 Allen	1
70	980006	Washer - 5/16 Lock	1
71	962024	Screw - #10 x 3/4 Wood	3
72	504470	Pad Holder	1
73	505181	Light Indicator - Brush Wear	1
74	962010	Screw - 1/4-20 x 1 Hex Hd.	4
75	980002	Washer - 1/4 Lock	4
76	920004	Nut - 1/4-20 Hex	4
77	515002	Knob - Caster Adj	1
78	504481	Housing - Caster	1
79	501282	Bumper	1
80	509785	Caster	1
81	506318	Label - Sw. Int.	1
82	920005	Nut - 3/8-24 Hex	1
83	509821	Washer	2
84	509830	Washer	1
85	915001	Key	1
86	515001	Kit - T-Nut & Screws (8 ea./pkg.)	1
87	962023	Screw - -2 x 1/4 Drive	2
88	506391	Label - Motor Mylar	1
89	502910	End Bell - Motor Top	1
90	506316	Label - 1500 DC	1
91	962022	Screw - 3/8-16 x 1 Hex Hd.	4
93	980007	Washer - 5/16 Flat	1
95	501350	Circuit Breaker	1
96	911001	Lead Assembly - Circuit Breaker	1
97	518003	Spring	1
98	509823	Washer - Felt	1
99	911035	Rotary Switch	1
100	911038	Stationary Switch	1
101	911039	Capacitor - Start	4
102	902003	Bearing - Motor Top	1
103	500403	Rotor Asm.	1
104	502312	Cover - Capacitor	1
105	503104	Field Asm.	1
106	502912	End Bell - Motor	1
107	908022	Cord Asm.	1
108	510202	Adaptor - Flex Drive	1
109	515901	Pad - Flex Drive - 19 Dia.	1
110	511302	Base - Center Lock	1
111	517301	Ring - Center Lock	1
112	911040	Capacitor - Run	1
113	502313	Cover - Run Capacitor	1
114	902004	Bear - Motor Lower	1
115	960017	Screw-end Bell	6
116	962034	8-32 x 1/4 Allen Set	1
117	962061	1/4-20 x 3/8 Set Screw Allen	1
118	518401	Stud Caster	1



**505281
D.C. MOTOR
for 800-1500**

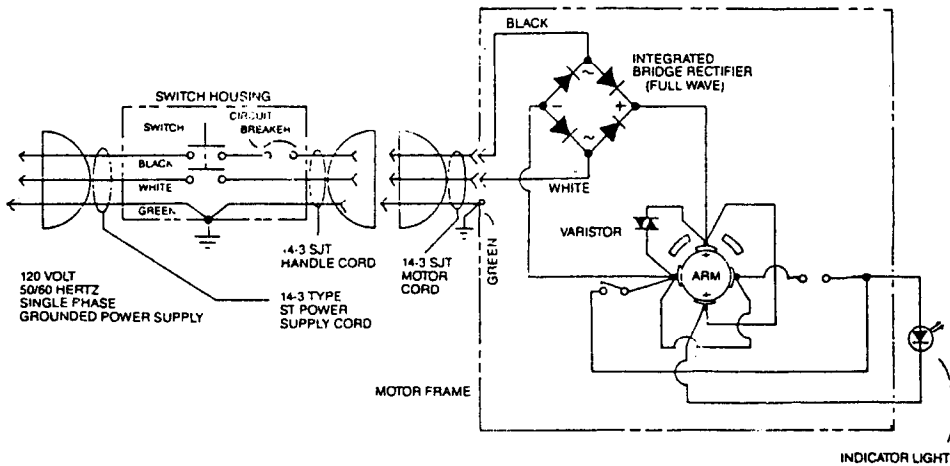
**505286
D.C. MOTOR
for 1500**

1500DCP & 800-1500DCP

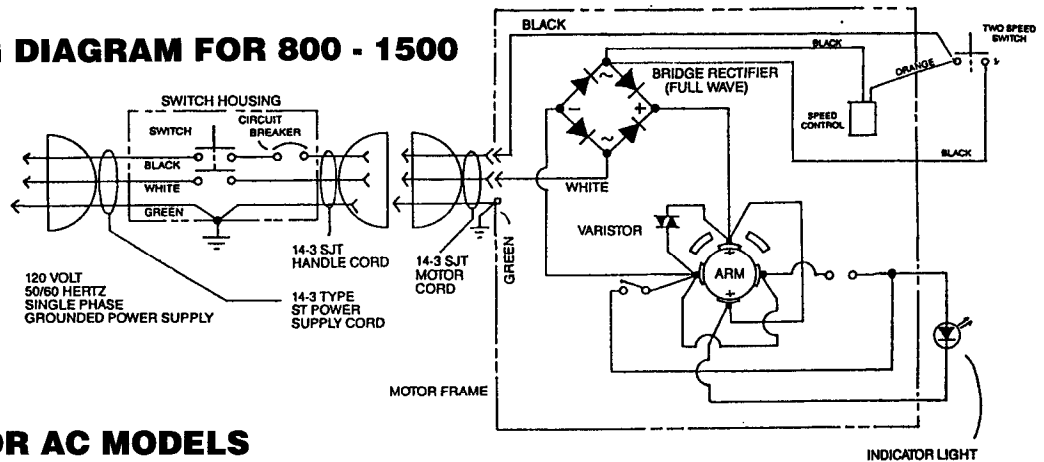
ITEM	PART NO.	DESCRIPTION	QTY.
1	505720	Handle Nipple	2
2	501321	Switch Box - DC W/ Brkr	1
3	501210	Handle Bumper	1
4	962003	Screw - 10-32 x 3/4 Pan Hd.	1
5	980001	Flat Washer - Handle Bumper	2
6	920001	Nut - 10-32 Elastic	1
7	503710	Handle Grip	2
8	502020	Strain Relief Brass Clamp	1
9	508520	Strain Relief Complete	1
10	505120	Switch Lever - Right	1
11	505121	Switch Lever - Left	1
12	508020	Switch	1
13	504810	Lock - Assembly Switch	1
14	506430	Cover - Switch Plate	1
15	962011	Screw - 10-32 x 1-3/4 Oval Hd.	2
16	962002	Screw - 10-32 x 1/2 Oval Hd.	2
17	502420	Cord Asm. - 50 Ft. 1500	1
	502450	Cord Asm. 75 ft. - 800/1500	
18	506310	Label - Warning	1
19	962006	Screw - 1/4-20 x 1/2 Pan Hd.	3
20	503320	Flange - Strain Relief	1
21	962005	Set Screw - 1/4-20 x 3/8 Allen	1
22	504420	Cord Hook	1
23	509080	Handle Tube	1
24	502021	Handle Clamp	1
25	505010	Turn Knob	1
26	980003	Washer - 3/8 Flat	2
27	962009	Bolt - 5/16-16 x 2-1/2	1
28	500880	Brace	2
29	908001	Handle Cord Asm.	1
30	509920	Yoke	1
31	502382	Cover - Bearing	1
32	962015	Screw - 10-32 x 3/8 Pan Hd.	3
33	502481	Collar - Upper Shaft	1
34	962012	Set Screw - 5/16-18 x 1/4 Allen	1
35	962018	Bolt - 3/8-16 x 1-3/4 Hex Hd.	4
36	507780	Drive Shaft	1
37	501380	Block - Bearing	2
38	507481	Yoke Brace	1
39	962006	Screw - 1/4-20 x 1/2 Pan Hd.	2
40	507310	Retaining Ring 3/8" - Yoke Rod	2
41	507480	Rod - Yoke	1
42	507781	Wheel Axle	2
43	960018	Bolt - Motor Thru - DC Only	4
44	509780	4" Wheel	2
45	509820	Wheel Washer - Fiber	12
46	980005	Wheel Wave Washer	8
47	507320	Snap Ring 1/2 Shaft	4
48	509781	5" Wheel	2
49	962016	Set Screw - 10-32 x 3/8 Allen	1
50	512303	Cover - Motor - 1500	1
	502388	Cover - Motor - 800-1500	1
51	962026	Screw - 8-32 x 1/2 Type F	3
52	506340	Label - Brush Indicator	1
53	505281	Motor - 115V-800-1500	1
	505286	Motor - 115V-1500	1
54	501883	Base - Casting	1

ITEM	PART NO.	DESCRIPTION	QTY.
55	501281	Bumper - Base	1
56	502110	Bumper Clip	3
57	962001	Screw - 10-32 x 1/4 Ft. Hd.	3
58	508080	Bumper - Strap	1
59	962015	Bumper Strap Screw	2
60	980003	Washer - 3/8 Flat	4
61	920002	Nut - 3/8-16 Hex	4
62	506980	Pulley Motor	1
63	506983	Pulley - Pad 800/1500	1
	506994	Pulley - Pad Driver - 1500	1
64	903001	Belt - 1500	1
	903003	Belt - 800/1500	1
65	503382	Flange - Flex Driver	1
66			1
67	962036	Screw - 1/4-20 x 1 Ft. Hd.	6
68	980009	Washer - 3/8 Lock	4
69	962014	Bolt - 5/16-18 x 3/4 Allen	1
70	980006	Washer - 5/16 Lock	1
71	962076	Screw - #8 x 5/8 Wood	3
72	504470	Pad Holder	1
73	505181	Light Indicator - Brush Wear	1
74	911126	Speed Control Asm.	1
75	502928	End Bell - Motor Top	1
76	500421	Armature 115V	1
77	911115	Switch - Two Speed	1
78			
79			
80			
81	506318	Label - Sw. Int.	1
82	920005	Nut - 3/8-24 Hex	1
83	509821	Washer	2
84	509830	Washer	1
85	915001	Key	1
86	515001	Kit - T-Nut & Screws (8 ea./pkg.)	1
87	962023	Screw - —2 x 1/4 Drive	2
88	506391	Label - Motor Mylar	1
89	502920	End Bell - Motor Top	1
90			
91	962022	Screw - 3/8-16 x 1 Hex Hd.	4
93	980007	Washer - 5/16 Flat	1
95	501350	Circuit Breaker	1
96	911001	Lead Assembly - Circuit Breaker	1
98	509823	Washer - Felt	1
99	911048	Rectifier - Bridge	1
100	507322	Brush Ring Assembly - Complete	1
101	500903	Brush - Imperial Motor	4
102	902011	Bearing - Motor Top	1
103	500417	Armature - 115V	1
104	902012	Bearing - Motor Lower	1
105	503117	Field/Shell Assembly	1
106	502919	End Bell - Motor Lower	1
107	908024	Cord Assembly - Motor	1
108	510202	Adaptor - Flex Drive	1
109	515901	Pad - Flex Drive - 19 Dia.	1
	515904	Flex Pad Asm. - 19 Dia.	1

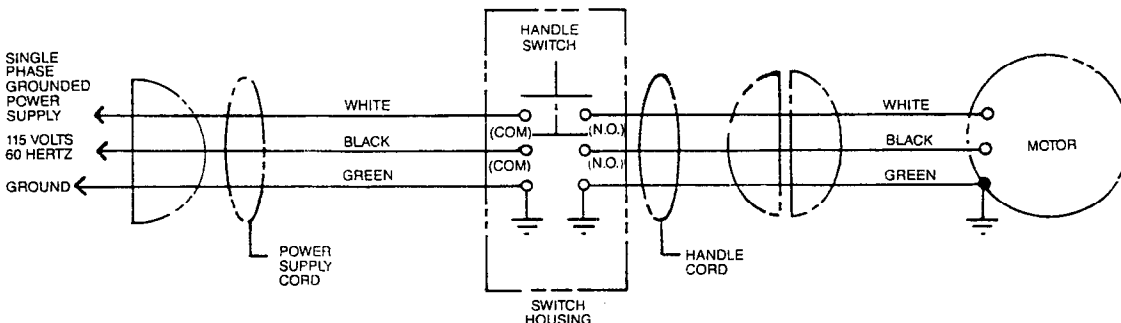
WIRING DIAGRAM FOR 1500DC, 2000DC



WIRING DIAGRAM FOR 800 - 1500



WIRING DIAGRAM FOR AC MODELS



PACIFIC'S STEAMEX CLEANING SYSTEMS INC. LIMITED WARRANTY

This Pacific Steamex Cleaning Systems Inc. Industrial Maintenance Machine has been manufactured, tested and inspected in accordance with specific engineering requirements, is **WARRANTED** to be free from defects in workmanship and materials for a period of eighteen (18) months from the date of purchase.

This warranty extends to the original user/purchaser and only when used, operated and maintained in accordance with Pacific's Steamex Cleaning Systems Inc. Operating and Maintenance instructions.

This warranty does not apply to certain wear parts and accessories of the machine such as electrical cords, carbon motor brushes, pad drivers, plates, etc., nor does it apply to damage or failure caused by improper use, abuse or neglect. Warranty credit or replacement of return parts including motors, pumps, etc., is subject to incoming inspection of those items.

To secure repair under this warranty, the following procedure should be taken:

- The inoperative machine or warranted parts must be delivered to the authorized dealer with shipping and delivery charges prepaid. If unable to locate the Dealer, you may contact Pacific Steamex Cleaning Systems, Inc. at the address listed herein for the location of the nearest Pacific Steamex Cleaning Systems Inc. repair center or agent or for other instructions pertaining to your warranty difficulty.
- Upon compliance with the above warranty procedure, all warranted repairs will be completed at no additional charge or cost to the user.
- Only Pacific Steamex Cleaning Systems, Inc. or its authorized dealers and agents may make no charge warranty repairs on this product. All others do so at their own risk.

This warranty limits Pacific's Steamex Cleaning Systems Inc. liability to the repair of the product and/or warranted parts replacement and does not include incidental or consequential damages arising from the use of a Pacific Steamex Cleaning Systems Inc. machine whether defective or not.

This warranty is in lieu of all other expressed or implied warranties and is extended to the original purchaser/user.



PACIFIC STEAMEX CLEANING SYSTEMS INC.
2259 S. SHERIDAN, MUSKEGON, MICHIGAN 49442-6252
616-773-1330 / FAX 1-616-773-1642