



# Electronic Service Manuals

This electronic document is provided as a service to our customers. We do not create the contents of the information contained in this document. Should you have detailed questions pertaining to the information contained in this document, you may contact Michco, or the manufacturer which provided the original information in this electronic deliverable. Michco's only part in this electronic deliverable was the electronic assembly process.

You may contact Michco through the following methods:  
Phone (517) 484-9312 or (800) 331-3339 MI, OH, IN only  
2011 N. High St. -- Lansing, Michigan -- 48906  
Fax: (517) 484-9836  
Email: [CustServ@Michco.com](mailto:CustServ@Michco.com)  
Web site: [www.Michco.Com](http://www.Michco.Com)  
Parts Web site: [www.FloorMachineParts.Com](http://www.FloorMachineParts.Com)

Order Parts on Line at:  
**[www.FloorMachineParts.Com](http://www.FloorMachineParts.Com)**

Directly to Parts & Service:  
By Email: **[Shop@Michco.com](mailto:Shop@Michco.com)**  
By Fax: (517) 702-2041  
By Voice: Use numbers above.

**Serving the Cleaning Industry Since 1922**

Notice: All copyrighted material remains property of original owners, all trademarks are property of respective owners. Manuals are subject to Manufacturer's reproduction limitations. Originals or reproductions were provided by manufacturers through a request. We make no warranty as to the correctness of information provided in this document and you assume all risk.

# FURY 1500P

# BURNISHER

## INTRODUCTION

## OPERATING & MAINTENANCE INSTRUCTIONS

---

### READ THIS BOOK

This operator's book has important information for the use and safe operation of this machine. Read this book carefully before starting the machine. Keep this book and tell all operators to read the book. If you do not follow the instructions, you can cause an injury or damage equipment, furniture or buildings.

For new books write to:

**Pacific**  
2259 S. Sheridan  
Muskegon, MI 49442-6252

Carefully inspect all components to ensure that there is no concealed freight damage. If such damage is discovered, file a "CONCEALED DAMAGE REPORT" immediately with the delivering carrier.

The contents of this manual are based on the latest product information available at the time of publication. Pacific reserves the right to make changes or improvements to its machines without notice.

### FOR YOUR CONVENIENCE, RECORD THE FOLLOWING IMPORTANT INFORMATION:

MODEL \_\_\_\_\_

SERIAL NUMBER \_\_\_\_\_

PART NUMBER \_\_\_\_\_

DATE PURCHASED \_\_\_\_\_

# IMPORTANT SAFETY INSTRUCTIONS

To assure the safe operation of this machine, you must read and understand all warnings and instructions in this book. If you do not understand, ask your supervisor.

## READ ALL INSTRUCTIONS BEFORE USING THIS MACHINE

### WARNING: To reduce the risk of fire, electric shock, or injury:

1. You must be trained to operate this machine. This machine is to be operated for its intended use only.
2. Do not operate this machine unless it is completely assembled.
3. Always use a three-wire electrical system connected to the electrical ground. For maximum protection against electrical shock, use a circuit that is protected by a ground fault circuit interrupter. Consult your electrical contractor.
4. To prevent electric shock, always remove the electrical plug from the electrical outlet before doing any repairs or maintenance and when leaving the machine unattended.
5. To prevent electric shock, keep the machine surface dry. Do not subject to rain. Store the machine in a dry building area. Clean the machine with a dry cloth only.
6. Machines can cause an explosion when near flammable materials and vapors. Do not use this machine with or near fuels, grain dust, solvents, thinners, or other flammable materials. Do not use flammables to clean this machine.
7. A qualified or authorized person must do maintenance and repairs.
8. To prevent damage to the power cord, do not move this machine over the power cord. Always lift the power cord over the machine. Do not pull or carry cord, use cord as a handle, close a door on cord, or pull cord around sharp edges or corners. Keep cord away from heated surfaces.
9. Do not use with damaged cord or plug. If the machine is not working as it should, has been dropped, damaged, left outdoors, or dropped into water, return it to a service center.

## Grounding Instructions

This machine must be grounded. If it should malfunction or break down, grounding provides a path of least resistance for electric current to reduce the risk of electric shock. This machine is equipped with a cord having an equipment-grounding conductor and grounding plug. The plug must be inserted into an appropriate outlet that is properly installed and grounded in accordance with all local codes and ordinances.

**WARNING** - Improper connection of the equipment-grounding conductor can result in a risk of electric shock. Check with a qualified electrician or service person if you are in doubt as to whether the outlet is properly grounded. Do not modify the plug provided with the machine - if it will not fit the outlet, have a proper outlet installed by a qualified electrician.

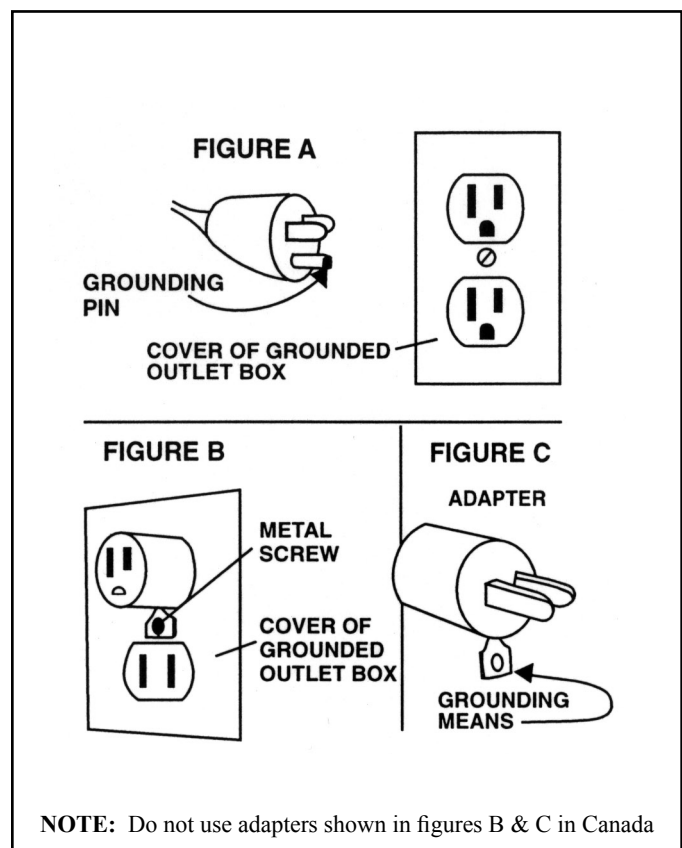
This machine is for use on a nominal 120-volt circuit, and has a grounded plug that looks like the plug illustrated in figure A. A temporary adapter that looks like the adapter illustrated in figures B and C may be used to connect this plug to a 2-pole receptacle as shown in figure B if a properly grounded outlet is not available. The temporary adapter should be used only until a properly grounded outlet (figure A) can be installed by a qualified electrician. The green colored rigid ear, lug, or the like extending from the adapter must be connected to a permanent ground such as a properly grounded outlet box cover. Whenever the adapter is used, it must be held in place by a metal screw.

*NOTE: In Canada, the use of a temporary adapter is not permitted by the Canadian Electrical Code*

### EXTENSION CORDS

Use only three-wire 12/3 or larger gauge approved extension cords that have three-prong grounding type plugs and three-pole receptacles that accept the appliance's plug. Replace or repair any damaged cords or plugs.

When servicing, refer to authorized person only. Use only identical replacement parts.



# OPERATING PROCEDURES

---

**WARNING!** For the safe operation of this machine follow the instructions given in this booklet and the training given by your supervisor. Failure to do so can result in personal injury and/or damage to machine and property!

**DO NOT OPERATE MACHINE IN AN EXPLOSIVE ENVIRONMENT!**

The models shown in this manual are intended for commercial use.

## PREPARATION

---

To prepare the machine for operation, make sure it is of correct voltage and properly assembled. If in doubt, ask your supervisor.

Your new floor machine operates in a straight-line forward motion, rather than the normal side to side motion of a conventional single disc machine. Be prepared by having your floor area cleared and ready for the fast action of a burnisher.

Prepare the floor area by sweeping, dusting or mopping as needed. Check the proper application recommendations and procedures found on the label of your finish container. IF IN DOUBT, CALL YOUR SUPERVISOR .

**WARNING! NEVER USE THIS MACHINE WITH FLAMMABLE OR EXPLOSIVE MATERIAL!**

**For Burnishing:** Select the correct clean floor pad (your supplier can help you). The lighter color floor pads (buff or white) are normally used for the burnishing procedure.

**NEVER OPERATE THE MACHINE WITHOUT THE FLOOR PAD INSTALLED!**

It is very important to select clean, dry pads of uniform thickness. Pads with high or low sections, or hard or soft spots are unacceptable. Pads of open weave are recommended; because close weaves tend to load up fast, bog down the machines, cause circuits to overload and generally give poor results.

Unplug the machine from the wall outlet and then tip the machine back to expose the pad driver. Remove the pad center lock ring. Carefully center the pad onto the pad driver and secure with the locking ring. Check for level, centering and flatness.

## OPERATION

---

Set the machine upright onto the pad. Plug the machine's power cable into a properly grounded outlet (see Safety Instructions). Next, release the handle by unlocking the knob and allow the handle to lower into a comfortable position. THEN ALWAYS SECURE THE HANDLE LOCKING KNOB. This will allow the operator to easily control the pad pressure.

Depress the handle slightly to elevate the pad from the floor. This is to avoid burning the floor on initial start up, before the operator is ready to move forward. Pull out on the "Watch Dog" Safety Lock button and start the machine by depressing either the left or right switch levers.

When you're ready to move forward, lower the machine head and pad to the floor and proceed forward in a straight line, at a steady pace.

## MAINTENANCE

---

**AFTER EACH USE:** Store the machine in a clean dry area. Wipe the entire machine and cord down with a clean cloth. Remove the pad and clean thoroughly. Wrap the machine's electrical cord onto the handles and the cord hook provided. CHECK the cord and plug for nicks, cuts or damage. Report these to your supervisor for correction.

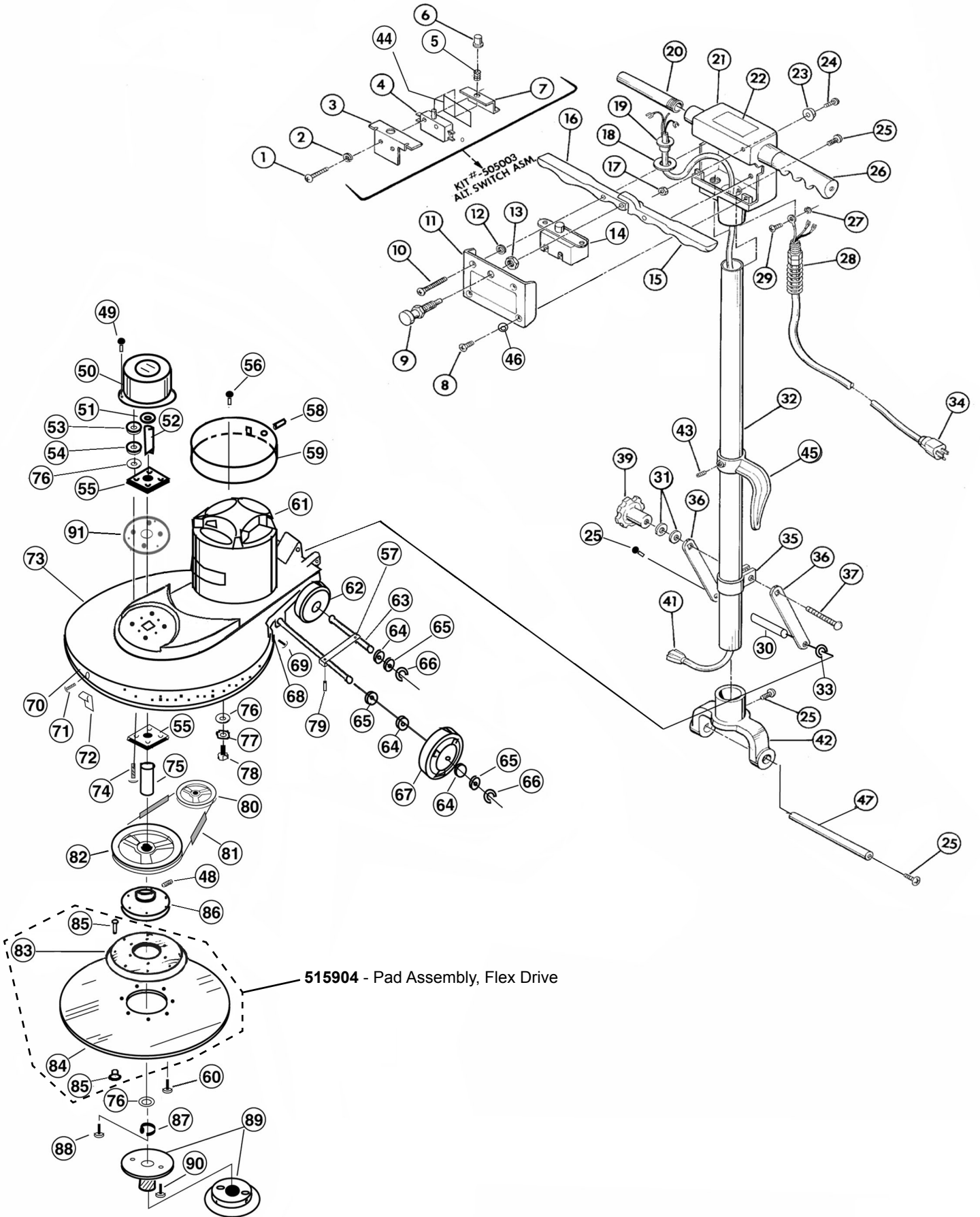
**WARNING! Always disconnect the machine's electrical plug from the electrical outlet before performing any service, maintenance, pad changing or inspection of the machine.**

**MOTOR:** The motor is lubricated for life under normal use. No oiling or greasing is necessary. However, if the machine is used in dusty areas the motor should be cleaned. Blowing the motor out with compressed air or with the exhaust from a vacuum is suggested. Keeping the motor clean will allow the clear passage of air for ventilation and prevent overheating.

**BELT TENSION:** Proper belt tension is important for smooth operation and belt life. Check the belt tension and have no more than a 1/8-inch deflection. If adjustment is needed, loosen the four (4) motor mounting bolts. Then move the motor and retighten the four (4) motor mounting bolts.

**CARBON BRUSH INSPECTION:** Long life 3000-hour carbon brushes are installed in the motor. The machine is also equipped with a carbon brush wear indicator light to signal when a carbon brush change is required.

# FURY 1500P



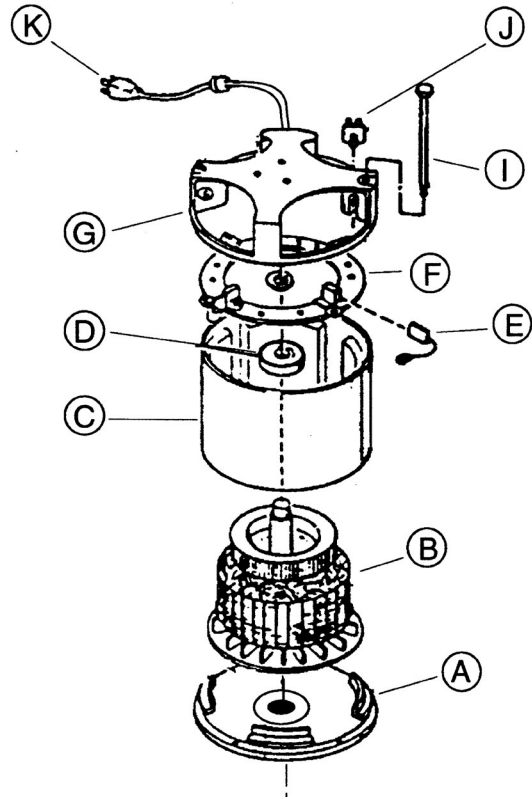
ITEM	PART NO.	DESCRIPTION	QTY.
1	W323D	Screw, 6-32x1 Pan Hd.	2
2	980016	Washer, #6 Ext. Tooth	2
3	500801	Bracket, Switch Mounting	1
4	911135	Switch	1
5	508301	Spring	1
6	507001	Plunger	1
7	500802	Bracket, Switch	1
8	962002	Screw, 10-32 x 1/2 Oval Hd.	2
9	504810	Interlock Asm.-Switch	1
10	962011	Screw, 10-32 x 3/4 Oval Hd.	2
11	486404C	Switch Cover Plate	1
12	509821	Washer, Rubber	2
13	920005	Nut, 3/8-24 Hex	1
14	508020	Switch Assembly (or 505003)	1
15	505121	Lever, Switch Left	1
16	505120	Lever, Switch Right	1
17	920001	Nut, 10-32 Elastic Stop	1
18	509830	Washer, Handle Tube	1
19	503320	Flange, Strain Relief	1
20	505720	Handle Nipple	2
21	481304C	Switch Housing,w/o Circuit Brkr.	1
22	515150	Warning Label	1
23	501210	Bumper, Handle	1
24	962003	Screw, 10-32 x 3/4 Pan Hd.	1
25	962006	Screw, 1/4-20 x 1/2 Pan Hd.	7
26	503711	Handle Grip, Grey	2
	501501	Cap, Protective End (Blue)	2
27	980015	Washer, #10 Shakeproof	2
28	508520	Strain Relief-Complete	1
	502020	Strain Relief-Brass Clamp	1
29	962015	Screw, 10-32 x 3/8 Pan Hd.	2
30	507481	Rod, Brace	1
31	980007	Washer, 5/16 Flat	2
32	509082	Handle Tube	1
33	507310	Snap Ring	1
34	502422	Cord Asm.Yellow	1
35	502021	Clamp-Handle	1
36	500880	Arm, Handle Support	2
37	962009	Bolt, Carriage 5/16-18 x 2-1/2	1
39	505010	Turn Knob	1
41	908004	Handle Cord	1
42	509920C	Yoke, Handle	1
43	962005	Screw, 1/4-20 x 3/8 Allen	1
44	504702	Insulator, Switch	1
45	504420	Cord Hook	1
46	980018	Washer, #10 Countersunk	1
47	507480	Shaft, Handle Yoke	1
48	962073	Screw, 1/4-20x5/8 Set	2
49	962161	Screw, #10x3/4 PHP	3

ITEM	PART NO.	DESCRIPTION	QTY.
50	502319	Cover-Bearing, Plastic	1
51	502481	Collar, Upper Shaft	1
52	507780	Drive Shaft	1
53	920002	Nut, 3/8-16 Hex	4
54	980009	Washer, 3/8 Lock	4
55	501380	Block, Bearing	2
56	962026	Screw, 8-32 x 1/2 Type F	3
57	487202	Retainer, Axle	1
58	505181	Light,Brush Wear Indicator,115V	1
	505182	Light,Brush Wear Indicator,230V	
59	502396	Cover, Motor DC IMP	1
60	962036	Screw, 1/4-20 x 1 FHP	6
61	see page 7	Motor, 1.5 HP 115V DC	1
62	509780	Wheel, 1/2 x 4" Grey	2
63	507781	Wheel Axle	2
64	980005	Washer, Wave	8
65	509820	Washer, Fiber	12
66	507320	Snap Ring 1/2 Shaft	4
67	509781	Wheel, 1/2 x 5" Grey	2
68	508080	Bumper Strap	1
69	962161	Screw, #10x3/4 PHP	2
70	501286	Bumper, Base	1
71	962162	Screw, #10x1/2 FHP	3
72	502110	Bumper Clip	3
73	483214	Base	1
74	962018	Screw, 3/8-16 x 1-3/4 HH	4
75	915001	Key	1
76	980003	Washer, 3/8 Flat	9
77	980009	Washer, 3/8 Lock	4
78	962048	Screw, 3/8-16 x 1-1/4 HH	4
79	962016	Set Screw, 10-32 x 3/8	1
80	506980	Pulley, Motor	1
81	903005	Belt	1
82	506994	Pulley, Pad Driver	1
83	510202	Adaptor, Flex Drive	1
84	515901	Pad - Flex Drive	1
85	515001	Kit-T-Nut & Screws (8 ea/pkg)	1
86	503382	Flange, Flex Pad Driver	1
87	980006	Washer, 5/16 Lock	1
88	962014	Bolt, 5/16-18 x 3/4 Allen	1
89	504471	Pad Holder Asm.	1
90	962076	Screw #8 x 5/8 PHP Wood	3
91	486602	Plate, Stiffener	1
<b>Labels Not Shown:</b>			
	485106	Handle Warning	1
	506318	Interlock	1
	506340	Brush Indicator	1
	515150	Warning	1

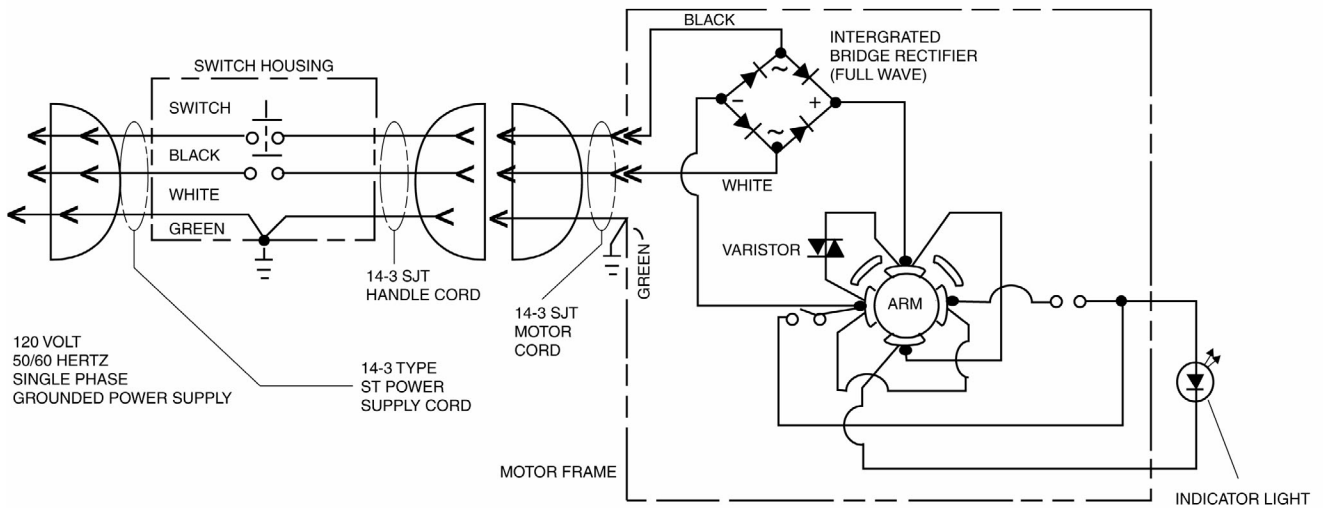


# MOTOR PARTS LIST

ITEM	PART NO.	PART NO.	DESCRIPTION	QTY.
	505286	505286C	Motor 115V, 1.5HP	1
A	502919	NA	End Bell - Motor LOWER	1
B	500417	NA	Armature Asm.w/Bearings,115V	1
	902012	902012	Bearing, Motor Lower	1
C	503117	NA	Field & Shell Assembly	1
D	902003	902003	Bearing, Motor Top	1
E	500903	500903	Carbon Brush, Motor 115V	4
F	507322	507327	Brush Ring Asm. Complete	1
G	502920	NA	End Bell - Motor TOP	1
I	960018	NA	Bolt, Motor Thru	4
J	911048	911048	Rectifier, 115V 50/60C	1
K	908024	908024	Cord Assembly, Motor	1



# WIRING DIAGRAM



## WARRANTY POLICY BURNISHER, MODEL FURY 1500P

The **Pacific** Burnisher has been manufactured, tested and inspected in accordance with specific engineering requirements and is **WARRANTED** to be free from defects in workmanship and materials as follows:

Eighteen (18) months parts, One (1) year labor - DC Motors (except rectifier, carbon brushes and varsitors)

One (1) year parts and labor – All other components unless excluded below.

This warranty extends to the original user/purchaser and only when used, operated and maintained in accordance with **Pacific** Operating and Maintenance instructions.

This warranty does not apply to the following wear parts and accessories of the machine including:

<u>Part Number</u>	<u>Part Name</u>
502422	Cord Assembly
509780	Wheel, 4"
509781	Wheel, 5"
503711	Handle Grip, Grey
501286	Bumper Base
903005	Belt
500903	Carbon Brush, 115V Motor

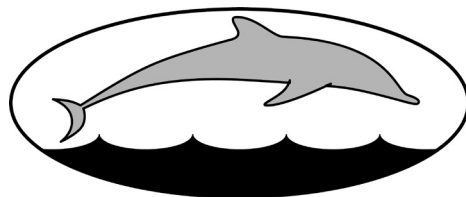
Nor does it apply to damage or failure caused by improper use, abuse or neglect. Warranty credit or replacement of return parts including motors, etc., is subject to incoming inspection of those items.

To secure repair under this warranty, the following procedure should be taken:

- The inoperative machine or warranted parts must be delivered to the authorized dealer with shipping and delivery charges prepaid. If unable to locate the Dealer, you may contact **Pacific Steamex Inc.** at the address listed herein for the location of the nearest **Pacific** repair center or agent or for other instructions pertaining to your warranty difficulty.
- Upon compliance with the above warranty procedure, all warranted repairs would be completed at no additional charge or cost to the user.
- Only **Pacific** or its authorized dealers and agents may make no charge warranty repairs on this product. All others do so at their own risk.

This warranty limits **Pacific** liability to the repair of the product and/or warranted parts replacement and does not include incidental or consequential damages arising from the use of a **Pacific** machine whether defective or not.

This warranty is in lieu of all other expressed or implied warranties and is extended to the original purchaser/user.



# PACIFIC

2259 S. SHERIDAN  
MUSKEGON, MICHIGAN 49442-6252  
800-968-1332

FAX 800-863-9536