



Electronic Service Manuals

This electronic document is provided as a service to our customers. We do not create the contents of the information contained in this document. Should you have detailed questions pertaining to the information contained in this document, you may contact Michco, or the manufacturer which provided the original information in this electronic deliverable. Michco's only part in this electronic deliverable was the electronic assembly process. By providing this manual on line we are not guaranteeing parts availability.

You may contact Michco through the following methods:

Phone (517) 484-9312 or (800) 331-3339

2011 N. High St. -- Lansing, Michigan -- 48906

Fax: (517) 484-9836

Email: CustServe@Michco.com

Web site: www.Michco.Com

Parts Web site: www.FloorMachineParts.Com

Order Parts on Line at:

www.FloorMachineParts.Com

Directly to Parts & Service:

By Email: **Shop@Michco.com**

By Fax: (517) 702-2041

By Voice: Use numbers above.

Serving the Cleaning Industry Since 1922

Notice: All copyrighted material remains property of original owners, all trademarks are property of respective owners. Manuals are subject to Manufacturer's reproduction limitations. Originals or reproductions were provided by manufacturers through a request. We make no warranty as to the correctness of information provided in this document and you assume all risk. By placing these manuals on line we are not declaring our corporation to be an manufacturer authorized dealer or provider, please check our web site for authorized manufacturers we represent.



CASSIDY

UHS BURNISHERS

**MODELS
CX-1500
CX-2000**

Operating & Maintenance Instructions

Introduction

READ THIS BOOK

This operator's book has important information for the use and safe operation of this machine. Read this book carefully before starting the machine. Keep this book and tell all operators to read the book. If you do not follow the instructions, you can cause an injury, or damage equipment, furniture or buildings.

All directions given in this book are as seen from the operator's position at the rear of the machine.

For new books, write to **Pacific Steamex Cleaning Systems, Inc.**, 2259 S. Sheridan, Muskegon, Michigan 49442-6252.

Carefully inspect all components to insure that there is no concealed freight damage. If such damage is discovered, file a "CONCEALED DAMAGE REPORT" immediately with the delivering carrier.

The contents of the Manual are based on the latest product information available at the time of publication. Pacific Steamex reserves the right to make changes or improvements to its machines without notice.

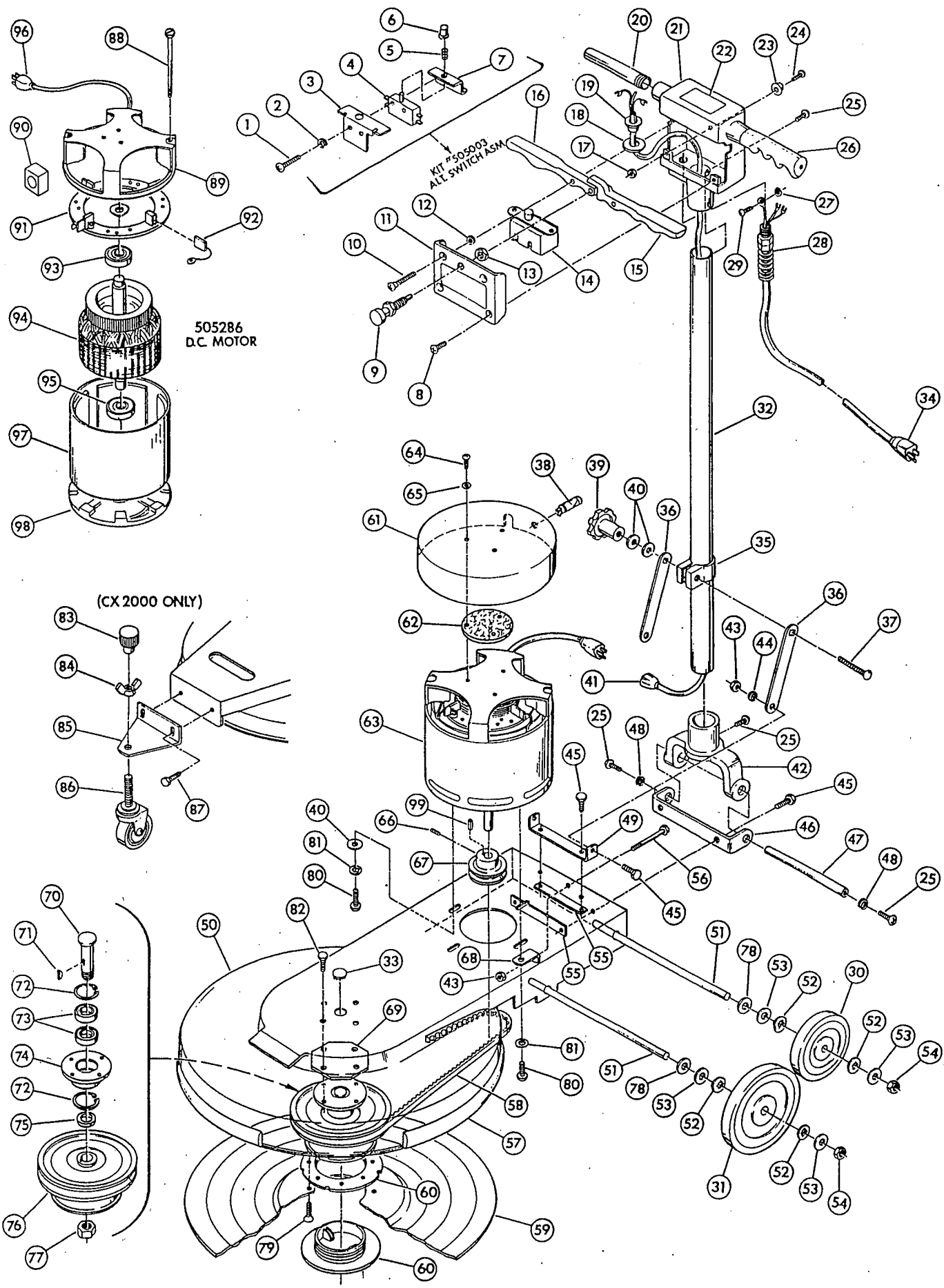
FOR YOUR CONVENIENCE, RECORD THE MACHINE MODEL AND SERIAL NUMBERS HERE:

MODEL _____

SERIAL _____

113

Cassidy CX-1500-CX-2000



213

CX-1500 CX-2000

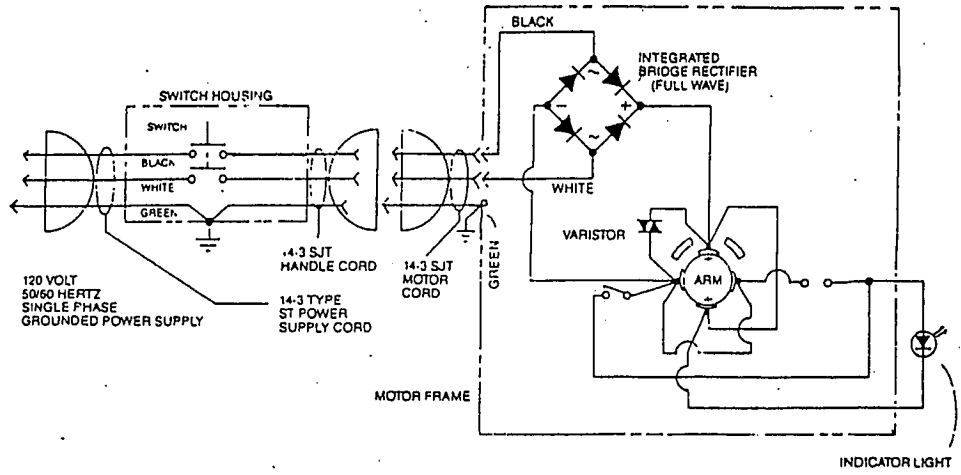
ITEM #	PT#	DESCRIPTION	QTY.
1	W323D	#6-32x1 Pan Hd. Screw	2
2	W141D	#6 Lockwasher	2
3	500801	Bracket - Switch Mntg.	1
4	911135	Switch	1
5	508301	Spring	1
6	507001	Plunger	1
7	500802	Bracket - Switch	1
8	962002	#10-32x1/2 Oval Hd. Screw	2
9	504810	Interlock Asm. - Switch	1
10	962011	#10-32x1 3/4 Oval Hd. Screw	2
11	486401	Switch Cover Plate	1
12	509821	Washer - Rubber	2
13	920005	3/8-24 Hex Nut	1
14	508020	Switch	1
15	505121	Lever - Switch Left	1
16	505120	Lever - Switch Right	1
17	920001	#10-32 Elastic Stop Nut	1
18	509830	Washer - Handle Tube	1
19	503320	Flange - Strain Relief	1
20	505720	Handle Nipple	2
21	481301	Switch Housing - W/O Circuit Brkr.	1
22	515150	Warning Label	1
23	501210	Bumper Handle	1
24	962003	10-32x3/4 Pan Hd. Screw	1
25	962006	1/4-20x1/2 Pan Hd. Screw	5
26	503711	Handle Grip - Grey	2
27	980015	#10 Shakeproof Washer	2
28	508520	Strain Relief - Complete	1
	502020	Strain Relief - Brass Clamp	1
29	962015	10-32x3/8 Pan Hd. Screw	2
30	507984	Wheel 5" Grey 509781	2
31	507985	Wheel 6" Grey 509782	2
32	509080	Handle Tube	1
33	S799NP	Plug	1
34	502421	Cord Asm. - Soft Grey	1
35	502021	Clamp - Handle	1
36	480301	Arm - Handle Support	2
37	962009	5/16-18x2 1/2 Carriage Bolt	1
38	505181	Light - Brush Wear Indicator 115VDC	1
	505182	Light - Brush Wear Indicator 230VDC	1
39	505010	Turn Knob	1
40	980003	3/8 Flat Washer	2
41	908002	Handle Cord	1
42	509920	Yoke - Handle	1
43	W376D	5/16-18 Hex Nylok Nut	2
44	W520D	5/16 Flat Washer	4
45	W369D	5/16-18x3/4 Hex Hd. Screw 10	
46	480801	Bracket - Handle Pivot	1
47	487701	Shaft - Handle Pivot	1
48	980002	1/4 Lockwasher	2
49	0275	Handle Bracket	1
50	483201	Base (1500)	1
	483202	Base (2000)	1
51	1449	Axle	2
52	980005	Wave Washer	8
53	509820	Fiber Washer	8

ITEM #	PT#	DESCRIPTION	QTY.
54	W502D	Nut 1/2-13 Hex	4
55	486601	Plate - Nut	2
56	W375D	Bolt 5/16-18x3 1/4 HH MS Zinc	1
57	1402	Bumper Base 481204	1
58	1962	Belt (1500)	1
	1404	Belt (2000)	1
59	515904	Pad Assy. Flex Drive	1
60	504470	Holder Pad	1
61	502378	Cover - Motor	1
62	509823	Felt Washer 3/16 x 3"	1
63	505286	1.5 HP 115V DC IMP	1
	505278	1.5 HP 230V DC IMP	1
64	962026	Screw-Set 8-32 x 1/2	3
65	980013	Washer - #8 Ext	3
66	962005	Screw-set 1/4 - 20 x 3/8 Set Screw	1
67	1494	Pulley Motor (1500)	1
	1406	Pulley Motor (2000)	1
68	1451	Belt Tightener	1
69	1008	Spacer	1
70	1405	Drive Shaft	1
71	1400	Woodruff Key	1
72	139	Snap Ring	2
73	143	Bearing - Drive Shaft	2
74	1416	Bearing Housing	1
75	1401	Space - Drive Shaft	1
76	1482	Pulley Pad - (1500)	1
	1389	Pulley Pad - (2000)	1
77	W204D	Nut 5/8-18	1
78	W120D	Washer 7/16	4
79	W155D	Screw 1/4-20 x 3/4 FH	6
80	W504D	Screw 3/8 - 16 x 3/4 HH MS	4
81	W379D	Washer - Lock 3/8	4
82	W189D	Screw 1/4-20 x 3/4 HH CS S/S	4
83	1481	Knob - Caster Adjustment (2000)	1
84	W517D	Nut 3/8-16 Wing (2000)	1
85	1478	Bracket - Caster (2000) 480802	1
86	509785	Caster (2000)	1
87	W169D	Screw 1/4-20 x 1/2 HH (2000)	2
88	960018	Bolt - Motor Thru	4
89	502920	End Bell Motor Top 115VDC	1
	502930	End Bell Motor Top 230VDC	
90	911048	Rectifier - Bridge 115VDC	1
	911081	Rectifier - Bridge 230VDC	1
91	507322	Brush Ring Comp. 115VDC	1
	507326	Brush Ring Comp. 230VDC	1
92	500903	Brush - Carbon Motor	4
	510901	Brush - Carbon Motor	4
93	902011	Bearing - Motor Top	1
94	500417	Armature 115VDC	1
	500424	Armature 230VDC	1
95	902012	Bearing - Motor Lower	1
96	908024	Cord Assy	1
97	503117	Field/Shell Assy	1
98	502919	End Bell Lower	1
99	1408	Key - Motor	1

3/3

CX1500/CX2000

WIRING DIAGRAM FOR 1500DC, 2000DC



PACIFIC'S STEAMEX CLEANING SYSTEMS INC. LIMITED WARRANTY

This **Pacific Steamex** Cleaning Systems Inc. Industrial Maintenance Machine has been manufactured, tested and inspected in accordance with specific engineering requirements, is **WARRANTED** to be free from defects in workmanship and materials for a period of (1) year from the date of purchase.

This warranty extends to the original user/purchaser and only when used, operated and maintained in accordance with **Pacific Steamex** Cleaning Systems Inc. Operating and Maintenance instructions.

This warranty does not apply to certain wear parts and accessories of the machine such as electrical cords, carbon motor brushes, floor brushes, hoses, tools, etc., nor does it apply to damage or failure caused by improper use, abuse or neglect. Warranty credit or replacement of return parts including motors, pumps, etc., is subject to incoming inspection of those items.

To secure repair under this warranty, the following procedure should be taken:

- The inoperative machine or warranted parts must be delivered to the authorized dealer with shipping and delivery charges prepaid. If unable to locate the Dealer, you may contact **Pacific Steamex** Cleaning Systems Inc. at the address listed herein for the location of the nearest **Pacific Steamex** Cleaning Systems Inc. repair center or agent or for other instructions pertaining to your warranty difficulty.
- Upon compliance with the above warranty procedure, all warranted repairs will be completed at no additional charge or cost to the user.
- Only **Pacific Steamex** Cleaning Systems Inc. or its authorized dealers and agents may make no charge warranty repairs on this product. All others do so at their own risk.

This warranty limits **Pacific Steamex** Cleaning Systems Inc. liability to the repair of the product and/or warranted parts replacement and does not include incidental or consequential damages arising from the use of a Pacific **Steamex** Cleaning Systems Inc. machine whether defective or not.

This warranty is in lieu of all other expressed or implied warranties and is extended to the original purchaser/user.

PACIFIC STEAMEX CLEANING SYSTEMS INC.

2259 S. SHERIDAN
 MUSKEGON, MICHIGAN 49442-6252
 616-773-1330
 FAX 1-616-773-1642