



Electronic Service Manuals

This electronic document is provided as a service to our customers. We do not create the contents of the information contained in this document. Should you have detailed questions pertaining to the information contained in this document, you may contact Michco, or the manufacturer which provided the original information in this electronic deliverable. Michco's only part in this electronic deliverable was the electronic assembly process.

You may contact Michco through the following methods:
Phone (517) 484-9312 or (800) 331-3339 MI, OH, IN only
2011 N. High St. -- Lansing, Michigan -- 48906
Fax: (517) 484-9836
Email: CustServ@Michco.com
Web site: www.Michco.Com
Parts Web site: www.FloorMachineParts.Com

Order Parts on Line at:
www.FloorMachineParts.Com

Directly to Parts & Service:
By Email: **Shop@Michco.com**
By Fax: (517) 702-2041
By Voice: Use numbers above.

Serving the Cleaning Industry Since 1922

Notice: All copyrighted material remains property of original owners, all trademarks are property of respective owners. Manuals are subject to Manufacturer's reproduction limitations. Originals or reproductions were provided by manufacturers through a request. We make no warranty as to the correctness of information provided in this document and you assume all risk.

TSUNAMI UPHOLSTERY KIT

228831

KIT INCLUDES:	222330	ACCESSORY VAC HOSE COVER
	228830	UPHOLSTERY TOOL WITH SOLUTION AND VACUUM HOSE
	S411P	NYLON MESH BAG

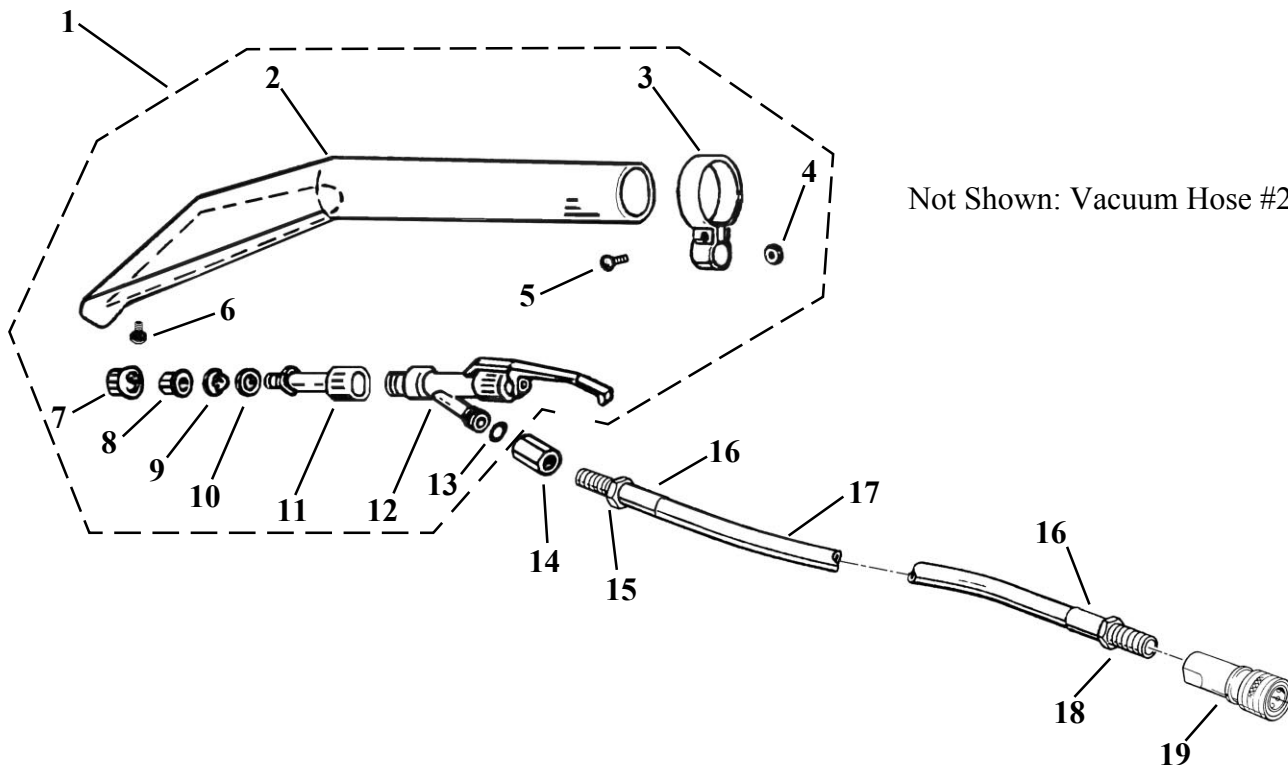
ASSEMBLY & OPERATION:

REFER TO THE TSUNAMI MANUAL FOR MACHINE PREPARATION AND OPERATION.

1. Replace the existing cover on the machine with the accessory vac hose cover.
2. Insert the upholstery tool vacuum hose in the accessory cover.
3. Attach the upholstery tool solution hose to the quick connect on the machine (Item 39 in the manual).
4. Confirm the machine is properly hooked up to the sink (Manual page 7).
5. Turn the vacuum switch on.
6. Depress the lever on the upholstery tool and proceed with cleaning.

4 INCH UPHOLSTERY TOOL PLASTIC HEAD WITH SOLUTION AND VACUUM HOSE 228830

ITEM	PART NO.	DESCRIPTION	QTY.	ITEM	PART NO.	DESCRIPTION	QTY.
1	228801	Upholstery Tool 4" Asm.	1	11	220202	Adaptor, Tip	1
2	224502	Head, Pickup	1	12	229401	Valve Assembly	1
3	222004	Clamp, Valve	1	13	227301	O-Ring	1
4	920623	Nut, Clamp	1	14	220201	Adaptor	1
5	964059	Screw, Clamp	1	15	S296P	Brass: Barb 1/4 to 1/8 MPT	1
6	964058	Screw, Pickup Head	1	16	S226P	Ferrule	2
7	920622	Nut, 3/8 Plastic	1	17	S344P1	Hose, 1/4 Gray Furon	1
8	224901	Jet, Spray	1	18	S223P	Brass: Barb 1/4 to 1/4 MPT	1
9	223311	Filter, Spray Jet	1	19	203308	Quick Connect, 1/4 Female	1
10	980618	Washer, Sealing	1				



PACIFIC STEAMEX, INC.
2259 S. SHERIDAN
MUSKEGON, MICHIGAN 49442-6252
1-800-968-1332
FAX 1-800-863-9536