



Electronic Service Manuals

This electronic document is provided as a service to our customers. We do not create the contents of the information contained in this document. Should you have detailed questions pertaining to the information contained in this document, you may contact Michco, or the manufacturer which provided the original information in this electronic deliverable. Michco's only part in this electronic deliverable was the electronic assembly process.

You may contact Michco through the following methods:
Phone (517) 484-9312 or (800) 331-3339 MI, OH, IN only
2011 N. High St. -- Lansing, Michigan -- 48906
Fax: (517) 484-9836
Email: CustServ@Michco.com
Web site: www.Michco.Com
Parts Web site: www.FloorMachineParts.Com

Order Parts on Line at:
www.FloorMachineParts.Com

Directly to Parts & Service:
By Email: **Shop@Michco.com**
By Fax: (517) 702-2041
By Voice: Use numbers above.

Serving the Cleaning Industry Since 1922

Notice: All copyrighted material remains property of original owners, all trademarks are property of respective owners. Manuals are subject to Manufacturer's reproduction limitations. Originals or reproductions were provided by manufacturers through a request. We make no warranty as to the correctness of information provided in this document and you assume all risk.

HOTSPOT

Two Gallon Pump Up Spotter

INTRODUCTION

This operator's book has important information for the use and safe operation of this machine. Read this book carefully before starting the machine. Keep this book and tell all operators to read the book. If you do not follow the instructions, you can cause an injury or damage equipment, furniture or buildings.

For new books write to:

Pacific
2259 S. Sheridan
Muskegon, MI 49442-6252

Carefully inspect all components to ensure that there is no concealed freight damage. If such damage is discovered, file a "CONCEALED DAMAGE REPORT" immediately with the delivering carrier.

OPERATING & MAINTENANCE INSTRUCTIONS

READ THIS BOOK

The contents of this manual are based on the latest product information available at the time of publication. Pacific Steamex reserves the right to make changes or improvements to its machines without notice.

FOR YOUR CONVENIENCE, RECORD THE FOLLOWING INFORMATION:

MODEL _____

SERIAL NUMBER _____

PART NUMBER _____

DATE PURCHASED _____

IMPORTANT SAFETY INSTRUCTIONS

READ AND UNDERSTAND ALL WARNINGS AND INSTRUCTIONS BEFORE USING THIS APPLIANCE!

WARNING! To reduce the risk of fire, electric shock, or injury:

1. Unplug from outlet when not in use and before servicing.
2. Do not use outdoors. Protect the machine from rain.
3. Do not allow to be used as a toy. Close attention is necessary when used by or near children.
4. Use only as described in this manual.
5. Never use this machine to pick up volatile or explosive materials!
6. Do not use this machine for pick up of dust or dry debris.
7. Do not use with damaged cord or plug. If appliance should not work as it should, has been dropped or damaged, left outdoors, or dropped into water, return it to service center.
8. Do not pull or carry by cord, use cord as handle, close a door on cord or pull cord around sharp edges or corners. Do not run appliance over cord. Keep cord away from heated surfaces.
9. Do not unplug by pulling on cord. To unplug, grasp the plug, not the cord
10. Do not handle plug or appliance with wet hands. Do not immerse. Keep the machine in a dry building.
11. Do not put any objects into opening. Do not use with any opening blocked: keep free of dust, lint, hair and anything that may reduce airflow.
12. Keep hair, loose clothing, fingers and all parts of the body away from openings and moving parts.
13. Turn off all controls before unplugging.
14. Do not use in areas where flammable or combustible liquids such as gasoline may be present.
15. Connect to a properly grounded outlet only.
16. Do not use water that is hotter than 60°C (140°F).
17. To prevent damage to the solution system, do not store in freezing temperatures without proper maintenance.

Grounding Instructions

This machine must be grounded. If it should malfunction or break down, grounding provides a path of least resistance for electric current to reduce the risk of electric shock. This machine is equipped with a cord having an equipment-grounding conductor and grounding plug. The plug must be inserted into an appropriate outlet that is properly installed and grounded in accordance with all local codes and ordinances.

WARNING - Improper connection of the equipment-grounding conductor can result in a risk of electric shock. Check with a qualified electrician or service person if you are in doubt as to whether the outlet is properly grounded. Do not modify the plug provided with the machine - if it will not fit the outlet, have a proper outlet installed by a qualified electrician.

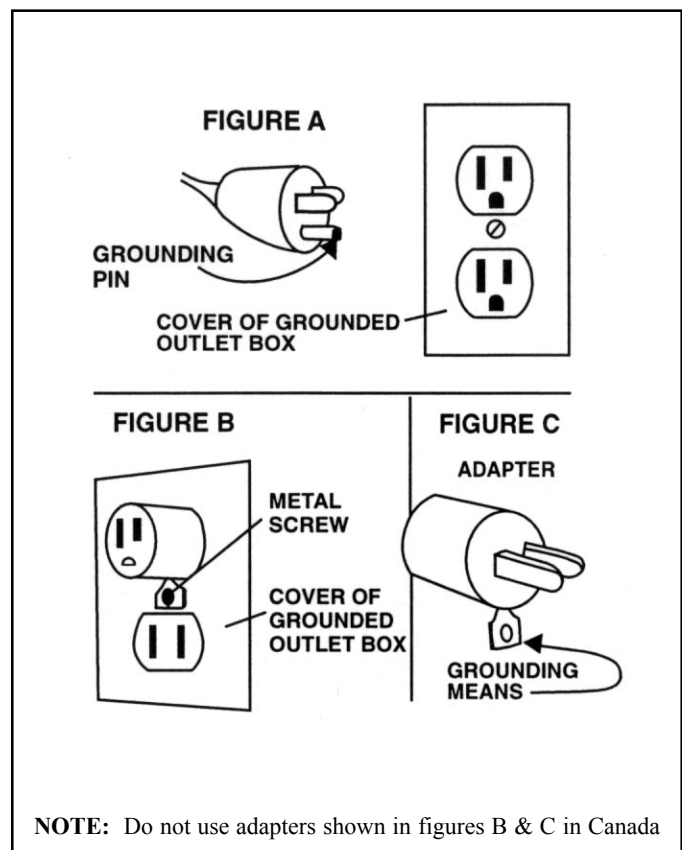
This machine is for use on a nominal 120-volt circuit, and has a grounded plug that looks like the plug illustrated in figure A. A temporary adapter that looks like the adapter illustrated in figures B and C may be used to connect this plug to a 2-pole receptacle as shown in figure B if a properly grounded outlet is not available. The temporary adapter should be used only until a properly grounded outlet (figure A) can be installed by a qualified electrician. The green colored rigid ear, lug, or the like extending from the adapter must be connected to a permanent ground such as a properly grounded outlet box cover. Whenever the adapter is used, it must be held in place by a metal screw.

NOTE: In Canada, the use of a temporary adapter is not permitted by the Canadian Electrical Code

EXTENSION CORDS

Use only three-wire 14/3 or larger gauge approved extension cords that have three-prong grounding type plugs and three-pole receptacles that accept the appliance's plug. Replace or repair any damaged cords or plugs.

When servicing, refer to authorized person only. Use only identical replacement parts.



OPERATING PROCEDURES

WARNING! For the safe operation of this machine follow the instructions given in this booklet and the training given by your supervisor. Failure to do so can result in personal injury and/or damage to machine and property!

DO NOT OPERATE MACHINE IN AN EXPLOSIVE ENVIRONMENT!

NEVER USE THIS MACHINE TO PICK UP VOLATILE OR EXPLOSIVE MATERIALS!

The model shown in this manual is intended for commercial use.

PREPARATION

1. Check **power cord** and **plug** for worn or damaged insulation. Repair or replace if necessary.
2. To **transport** the machine, simply grasp the handle, lift up and **pull**.
3. Remove the clear dome on top of the recovery tank by releasing the latch.
 - a) Inspect for damage to the **dome** and **gasket**. Dirt or debris on the gasket or sealing surface of the tank can cause a vacuum leak and reduce vacuum performance.
 - b) The **filter assembly** in the standpipe should be clean of debris, securely in place and checked periodically for any damage, replace if necessary.

Return the dome to its original position.

The dome's vacuum inlet (hose adapter) should be located opposite the latch (see drawing). If the dome is reversed, recovery water will be drawn into the vacuum motor. This may cause permanent damage.

OPERATION

The following procedures are intended to describe and detail proper operation of your machine. Failure to follow these recommended procedures can reduce the machine's performance and may result in damage to the machine.

1. **Fill the solution tank** with **clean water**. If hot water is used, do not use water hotter than 60°C (140°F). The capacity of the solution tank is two gallons.

2. **Attach the female quick connect** at the solution tank to the **male quick connect** on the solution hose.
3. **Connect the vacuum hose** to the dome.
4. **Connect the power cord's IEC connector to the back of the machine, then insert the plug into a 115 volt grounded wall socket.** See Grounding Instructions. Use of an extension cord is not recommended. However, if one is necessary, use only a **14 gauge** or larger cord. Smaller or inferior cords are dangerous and may cause poor performance or damage to your machine.
5. **Prespray the area to be cleaned** with a spotting cleaner designed to clean or remove the type of material creating the spot or soiled surface. The spotting chemical must be purchased separately from the machine.
6. **Scrub** the spotting chemical into the soiled surface **with the agitation brush** supplied with the machine.
7. **Pump the handle on the solution tank** until sufficient pressure is obtained to dispense water through the upholstery tool.
8. If you wish, the two gallon solution tank can be filled with water and NON-FOAMING carpet concentrate per the dilution instructions.
9. **Turn the vacuum switch on** to start the vacuum motor.
10. **Begin cleaning.** Place the tool head on the surface to be cleaned and squeeze the lever on the tool's solution valve to dispense water. Pull the tool toward you while cleaning.
11. As dirty solution is recovered, some foaming may be noted. Excessive foaming can be counteracted with liquid defoamer applied according to the chemical manufacturing directions. **Do not allow foam to rise into or near the clear dome.** Use defoamer or empty and flush the recovery tank.
12. **Empty the recovery tank every time you refill the solution tank** (see step 1) . Turn off the vacuum switch, unplug the machine, disconnect the cord assembly from the machine and set aside. Remove the vacuum hose from the dome. Then lift out the solution tank with the tool assembly and set aside. Remove the dome assembly. Now lift the recovery tank by its' molded handles. Dispose of the recovered water properly. Ensure the filter assembly in the standpipe is securely in place and clean of any debris after disposal.

NEVER USE THE DIRTY RECOVERY WATER TO FILL THE SOLUTION TANK!

MAINTENANCE PROCEDURES

This machine is designed and manufactured to provide years of trouble free service with a minimum of maintenance and service. The following recommendations are intended to assist the operator and Service Technician in performing routine maintenance.

WARNING: Always unplug your machine before performing any service. Severe personal injury could result if the electrical power is not disconnected.

After Each Use:

1. Clean the dome top, gasket and recovery tank with fresh, clean water. Do not reinstall the dome until the next use, this will allow the recovery tank to dry out.
2. Lift the filter assembly out of the standpipe, clean with fresh water and dry, then reinstall.
3. Flush the solution tank with clean water.
4. Store the machine in a dry, protected area. Do not expose this machine to rain, standing water or freezing temperatures.

Periodically:

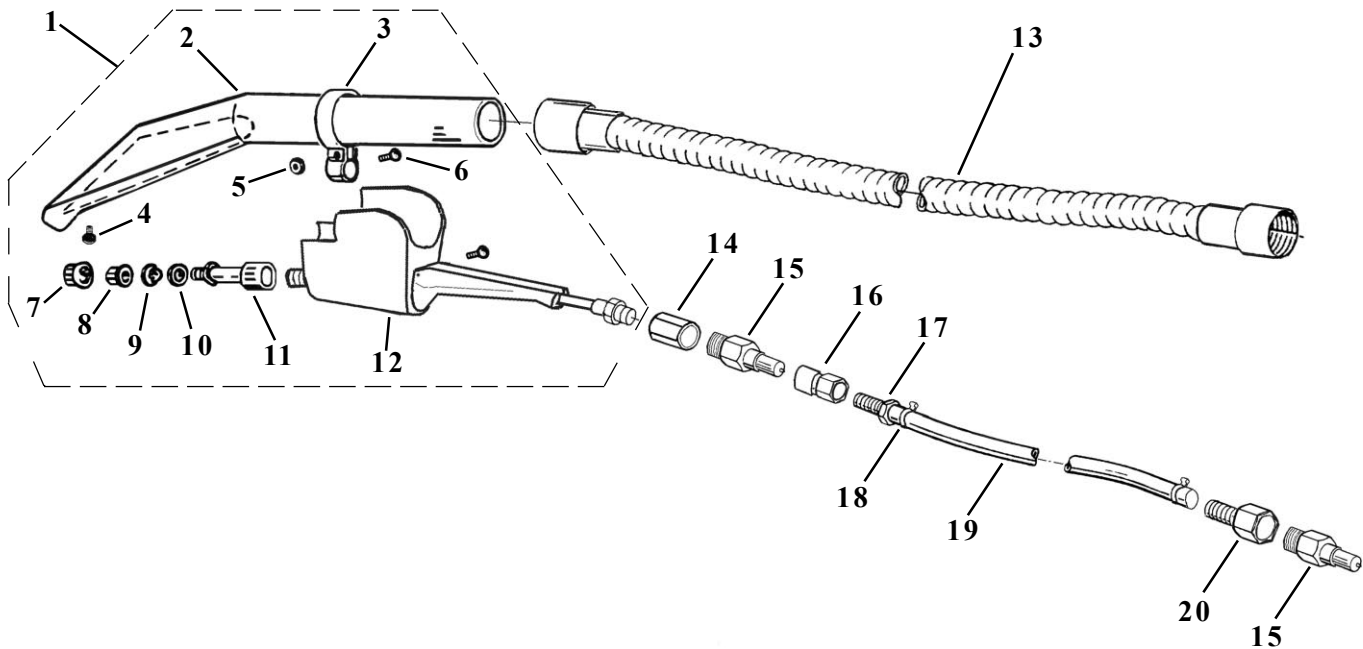
After continuous or repeated use, the following items will need cleaning.

1. **Spray Jet (if carpet extraction chemicals are used in the solution tank)** : Remove the jet tip on the tool and soak in vinegar until visible deposits are dissolved, then scrub with a soft bristle brush. **Note: Jet tips should be replaced once a year** because they tend to erode under extended use. This may cause overuse of solution.
2. Clean the **tool head**. Remove any debris which may be trapped in the vacuum hose or the vacuum head.

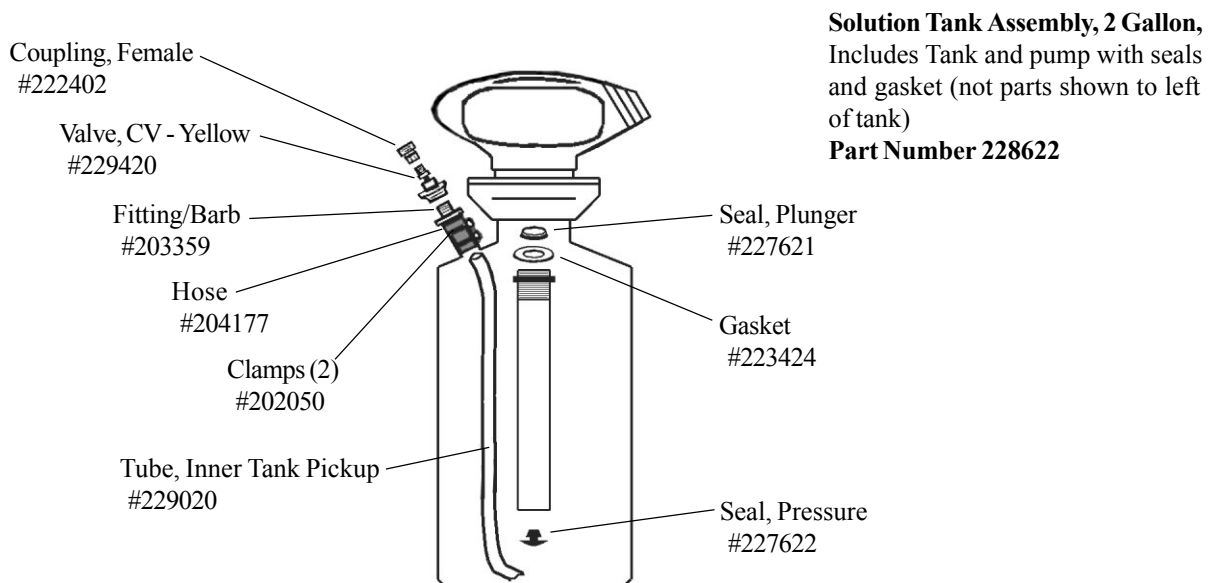
HotSpot Upholstery Tool Assembly

ITEM	PART NO.	DESCRIPTION	QTY.
1	228801	Upholstery Tool 4" Asm.	1
2	224502	Head, Pickup	1
3	222004	Clamp, Valve	1
4	964058	Screw, Pickup Head	1
5	920623	Nut, Clamp	1
6	964059	Screw, Clamp	2
7	920622	Nut, 3/8 Plastic	1
8	224920	Jet, Spray	1
9	223311	Filter, Spray Jet	1
10	980618	Washer, Sealing	1

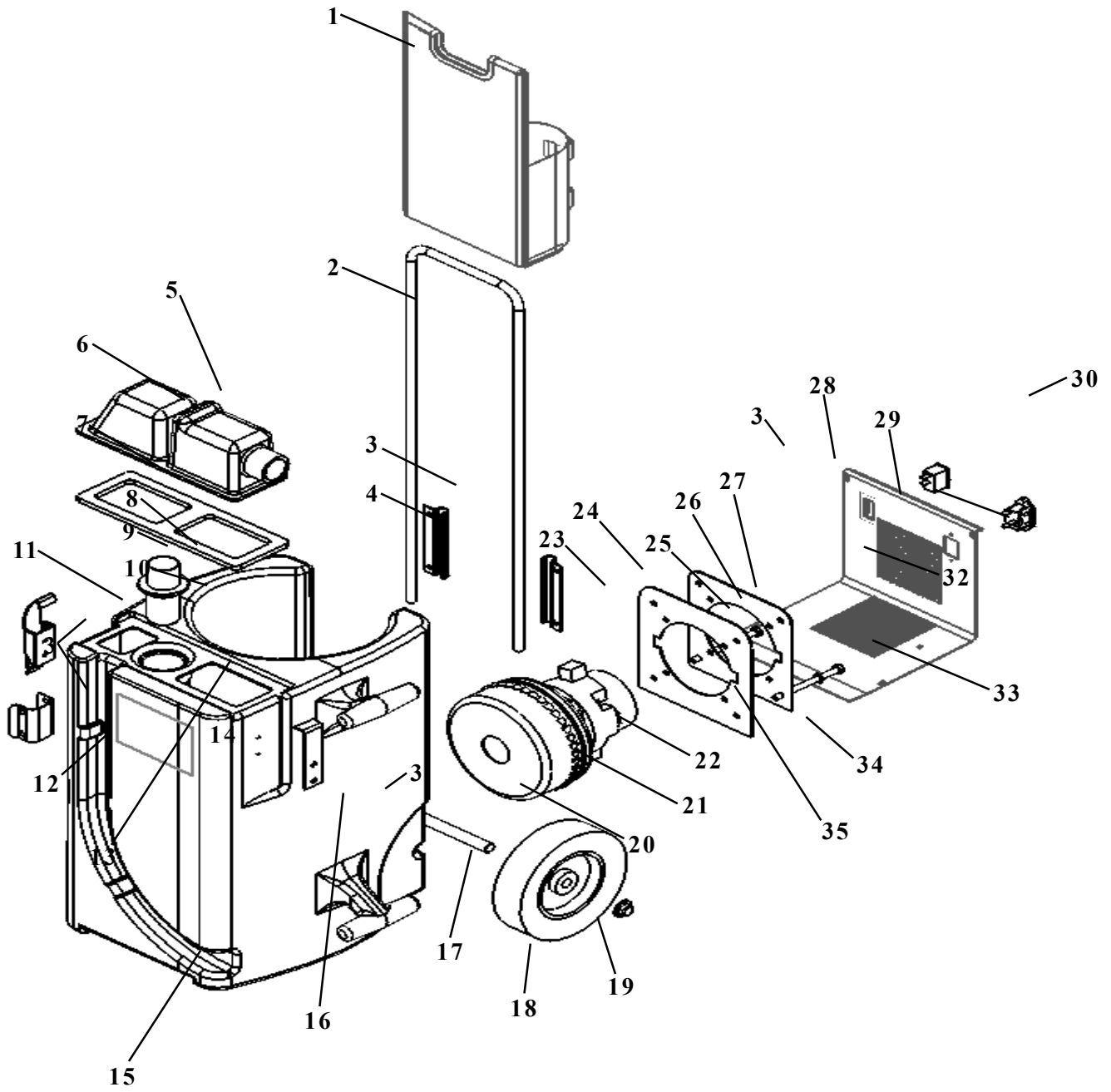
ITEM	PART NO.	DESCRIPTION	QTY.
11	220202	Adaptor, Tip	1
12	229401	Valve Assembly	1
13	224120	Vacuum Hose Assembly, 5'	1
14	220201	Adaptor	1
15	222406	Coupling, QD Hose Male 1/8"	2
16	222402	Coupling, QD Tank Female	1
17	223307	Fitting 1/8" Hose x 1/4" NPT	1
18	222002	Clamp	2
19	224122	Solution Hose, 69"	1
20	223310	Female Connector 1/8" Hose	1



Solution Tank Assembly



HotSpot



HotSpot Parts List

ITEM	PART NO.	DESCRIPTION	QTY.
1	222420	Caddie, Spotter Bottle	1
2	223920	Handle, Pull	1
3	W351D	Screw, 10-24x1/2 THP MS B/O	12
4	227220	Retainer, Handle	2
5	245112	Label, Defoamer	1
6	222720	Dome	1
7	243402	Gasket, Dome	1
8	962157	Screw, Retainer	1
9	247201	Retainer	1
10	243307	Filter, Standpipe	1
11	605101	Latch	1
12	220820	Bracket, Hose Retainer	1
13	228520	Standpipe Vacuum	1
	A13012	Sealing Nut (bottom of standpipe)	1
14	505187	Label	1
15	228621	Vacuum Tank, Grey	1
	228623	Vacuum Tank, Blue	
16	227221	Retainer, Dome	1
17	227720	Shaft, Wheel	1
18	209771	Wheel, 6x1.5 Grey	2
19	S482P	Snap Axle Cap	2
20	603473	Gasket, Top Vac	1
21	605215	Vacuum Motor, 115V	1
	600906	Carbon Brush, Vac Motor	2
22	602771	Duct, Air Vent	1
23	227620	Seal, Baffle	1
24	221320	Baffle, Vacuum	1
25	208451	Stud, Vac Motor Mount, Top 2	2
26	980002	Washer, 1/4 Lock - Motor Mount	4
27	920004	Nut, 1/4-20 - Motor Mount	4
28	911089	Switch, Rocker	1
29	632422	Connector, Male Power Inlet	1
30	908093	Cord Asm, 50 ft w/IEC Connector	1
31	W324D	Screw, 6-32x1/2 RHP MS S/S	2
32	W144D	Nut, 6-32 Hex w/Nyloc Zinc	2
33	222320	Cover, Vac Motor	1
34	W350D	Screw, 10-24x1/2 THP MS	2
35	W103D	Screw, Vac Motor Mount, Bottom 2	2
Not Shown	220920	Brush, Scrub	1
See Page 5 for the Solution Tank, Tool and Hose Assembly Illustrations			

WARRANTY POLICY HOTSPOT

The **Pacific Steamex Inc.** HotSpot has been manufactured, tested and inspected in accordance with specific engineering requirements and is WARRANTED to be free from defects in workmanship and materials as follows:

Five (5) years parts, One (1) year labor – Rotational molded components.
One (1) year parts & labor – All other components unless excluded below.

This warranty extends to the original user/purchaser and only when used, operated and maintained in accordance with **Pacific Steamex Inc.** Operating and Maintenance instructions.

This warranty does not apply to the following wear parts and accessories of the machine including:

Part Number	Part Name
908093	Cord Assembly
209771	Wheel
243307	Filter, Standpipe
600906	Carbon Brush
224920	Jet
220920	Brush, Scrub
224502	Head, Pick Up

Nor does it apply to damage or failure caused by improper use, abuse or neglect. Warranty credit or replacement of return parts including motors, pumps, etc., is subject to incoming inspection of those items.

To secure repair under this warranty, the following procedure should be taken:

- The inoperative machine or warranted parts must be delivered to the authorized dealer with shipping and delivery charges prepaid. If unable to locate the Dealer, you may contact **Pacific Steamex Inc.** at the address listed herein for the location of the nearest **Pacific Steamex Inc.** repair center or agent or for other instructions pertaining to your warranty difficulty.
- Upon compliance with the above warranty procedure, all warranted repairs would be completed at no additional charge or cost to the user.
- Only **Pacific Steamex Inc.** or its authorized dealers and agents may make no charge warranty repairs on this product. All others do so at their own risk.

This warranty limits **Pacific Steamex Inc.** liability to the repair of the product and/or warranted parts replacement and does not include incidental or consequential damages arising from the use of a **Pacific Steamex Inc.** machine whether defective or not.

This warranty is in lieu of all other expressed or implied warranties and is extended to the original purchaser/user.

PACIFIC

2259 Sheridan

Muskegon, Michigan 49442

Ph: (800) 968-1332 Fax: (231) 773-1642

www.nextwaveofclean.com