



Electronic Service Manuals

This electronic document is provided as a service to our customers. We do not create the contents of the information contained in this document. Should you have detailed questions pertaining to the information contained in this document, you may contact Michco, or the manufacturer which provided the original information in this electronic deliverable. Michco's only part in this electronic deliverable was the electronic assembly process.

You may contact Michco through the following methods:
Phone (517) 484-9312 or (800) 331-3339 MI, OH, IN only
2011 N. High St. -- Lansing, Michigan -- 48906
Fax: (517) 484-9836
Email: CustServ@Michco.com
Web site: www.Michco.Com
Parts Web site: www.FloorMachineParts.Com

Order Parts on Line at:
www.FloorMachineParts.Com

Directly to Parts & Service:
By Email: **Shop@Michco.com**
By Fax: (517) 702-2041
By Voice: Use numbers above.

Serving the Cleaning Industry Since 1922

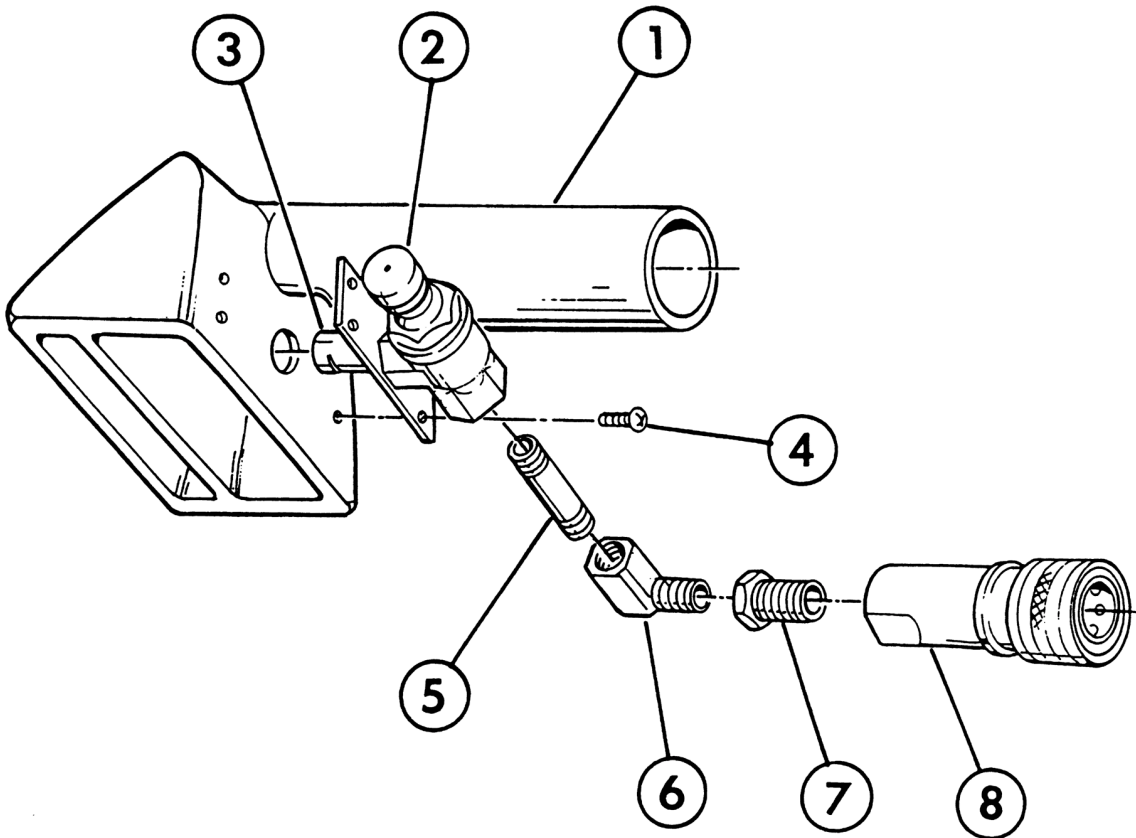
Notice: All copyrighted material remains property of original owners, all trademarks are property of respective owners. Manuals are subject to Manufacturer's reproduction limitations. Originals or reproductions were provided by manufacturers through a request. We make no warranty as to the correctness of information provided in this document and you assume all risk.

HAND TOOL

4 INCH • F203W 3/8 QC • F203W1 1/4 QC

4 INCH HAND TOOL F203W 3/8 QC - F203 WI 1/4 QC			
Item#	Part#	Description	Qty.
1	S294P	Tool Body	1
2	S229P	Valve Complete	1
	S378P	Repair Kit Complete	
	980615	Disk - Teflon	
3	S197P	Jet Tip	1

Item#	Part#	Description	Qty.
4	W171D	Screw 6-32 x 1/4RHP SS	4
5	S200P	Nipple 1/8"	1
6	S198P	90° Elbow Brass 1/8"	1
7	S342P	Bushing Brass 1/8"	1
8	203308	Quick Connect Fitting 1/4" on F203WI	1
	S170P	Quick Connect Fitting 3/8" on F203W	1



PACIFIC
 2259 S. SHERIDAN
 MUSKEGON, MICHIGAN 49442-6252
 1-800-968-1332
 FAX 1-800-863-9536