



# Electronic Service Manuals

This electronic document is provided as a service to our customers. We do not create the contents of the information contained in this document. Should you have detailed questions pertaining to the information contained in this document, you may contact Michco, or the manufacturer which provided the original information in this electronic deliverable. Michco's only part in this electronic deliverable was the electronic assembly process.

You may contact Michco through the following methods:  
Phone (517) 484-9312 or (800) 331-3339 MI, OH, IN only  
2011 N. High St. -- Lansing, Michigan -- 48906  
Fax: (517) 484-9836  
Email: [CustServ@Michco.com](mailto:CustServ@Michco.com)  
Web site: [www.Michco.Com](http://www.Michco.Com)  
Parts Web site: [www.FloorMachineParts.Com](http://www.FloorMachineParts.Com)

Order Parts on Line at:  
**[www.FloorMachineParts.Com](http://www.FloorMachineParts.Com)**

Directly to Parts & Service:  
By Email: **[Shop@Michco.com](mailto:Shop@Michco.com)**  
By Fax: (517) 702-2041  
By Voice: Use numbers above.

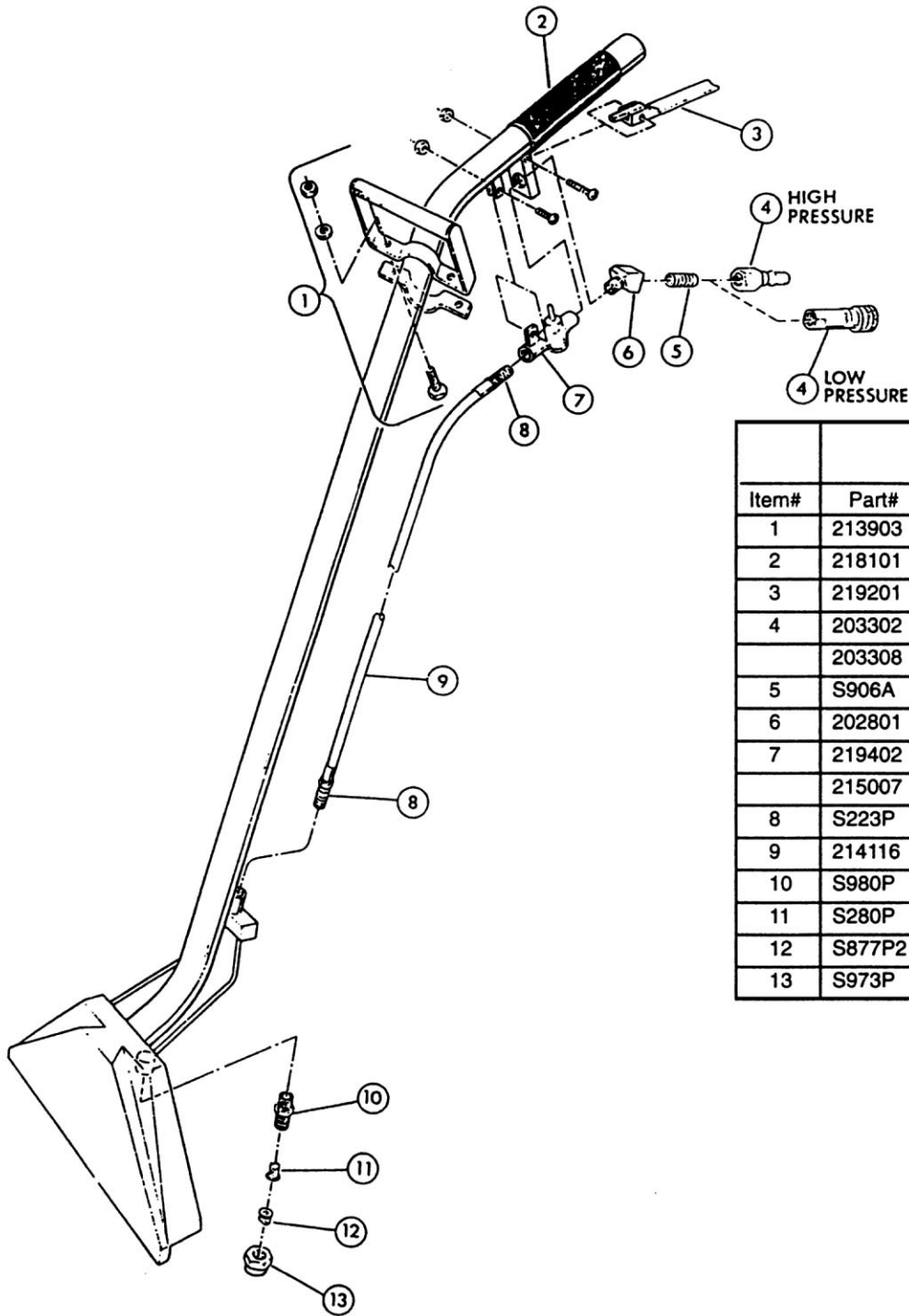
**Serving the Cleaning Industry Since 1922**

Notice: All copyrighted material remains property of original owners, all trademarks are property of respective owners. Manuals are subject to Manufacturer's reproduction limitations. Originals or reproductions were provided by manufacturers through a request. We make no warranty as to the correctness of information provided in this document and you assume all risk.

# 2 JET WAND

## 219801 HP • 219802 LP

### 12 INCH SS



12 INCH SS 2 JET WAND 219801 HP - 219802 LP			
Item#	Part#	Description	Qty.
1	213903	Handle w/ Hardware	1
2	218101	Sleeve-grip	1
3	219201	Trigger-valve	1
4	203302	Quick Connect - 1/4" male (for HP)	1
	203308	Quick Connect - 1/4" female (for LP)	1
5	S906A	Nipple	1
6	202801	Brass 45° Street Elbow	1
7	219402	Valve	1
	215007	Repair Kit Valve (O-ring-spring-disk)	
8	S223P	Brass Barb - 1/4"	2
9	214116	Hose-assy Complete	1
10	S980P	Body-Jet	2
11	S280P	Strainer-Check Valve	2
12	S877P2	Jet 11003 Brass	2
13	S973P	Cap Jet	2

**PACIFIC**  
 2259 S. SHERIDAN  
 MUSKEGON, MICHIGAN 49442-6252  
 1-800-968-1332  
 FAX 1-800-863-9536