



Electronic Service Manuals

This electronic document is provided as a service to our customers. We do not create the contents of the information contained in this document. Should you have detailed questions pertaining to the information contained in this document, you may contact Michco, or the manufacturer which provided the original information in this electronic deliverable. Michco's only part in this electronic deliverable was the electronic assembly process. By providing this manual on line we are not guaranteeing parts availability.

You may contact Michco through the following methods:

Phone (517) 484-9312 or (800) 331-3339

2011 N. High St. -- Lansing, Michigan -- 48906

Fax: (517) 484-9836

Email: CustServe@Michco.com

Web site: www.Michco.Com

Parts Web site: www.FloorMachineParts.Com

Order Parts on Line at:

www.FloorMachineParts.Com

Directly to Parts & Service:

By Email: **Shop@Michco.com**

By Fax: (517) 702-2041

By Voice: Use numbers above.

Serving the Cleaning Industry Since 1922

Notice: All copyrighted material remains property of original owners, all trademarks are property of respective owners. Manuals are subject to Manufacturer's reproduction limitations. Originals or reproductions were provided by manufacturers through a request. We make no warranty as to the correctness of information provided in this document and you assume all risk. By placing these manuals on line we are not declaring our corporation to be an manufacturer authorized dealer or provider, please check our web site for authorized manufacturers we represent.

DeckMaster Parts List

The contents of this manual are based on the latest product information available at the time of publication. Pacific Steamex reserves the right to make changes or improvements to its machines without notice.

For new books write to:

Pacific
2259 S. Sheridan
Muskegon, MI 49442-6252

Carefully inspect all components to ensure that there is no concealed freight damage. If such damage is discovered, file a "CONCEALED DAMAGE REPORT" immediately with the delivering carrier.

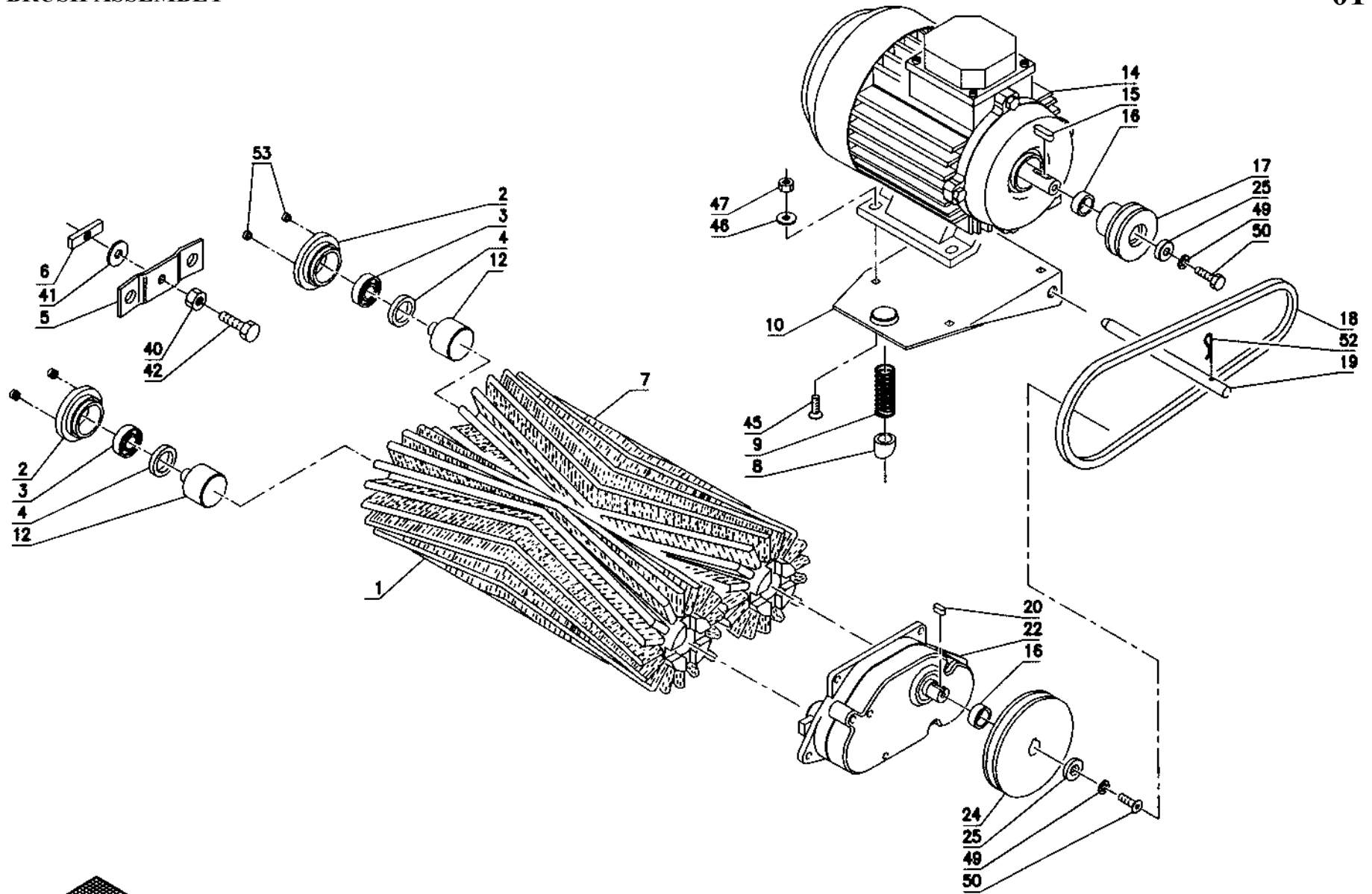
FOR YOUR CONVENIENCE, RECORD THE FOLLOWING IMPORTANT INFORMATION:

MODEL _____

SERIAL NUMBER _____

PART NUMBER _____

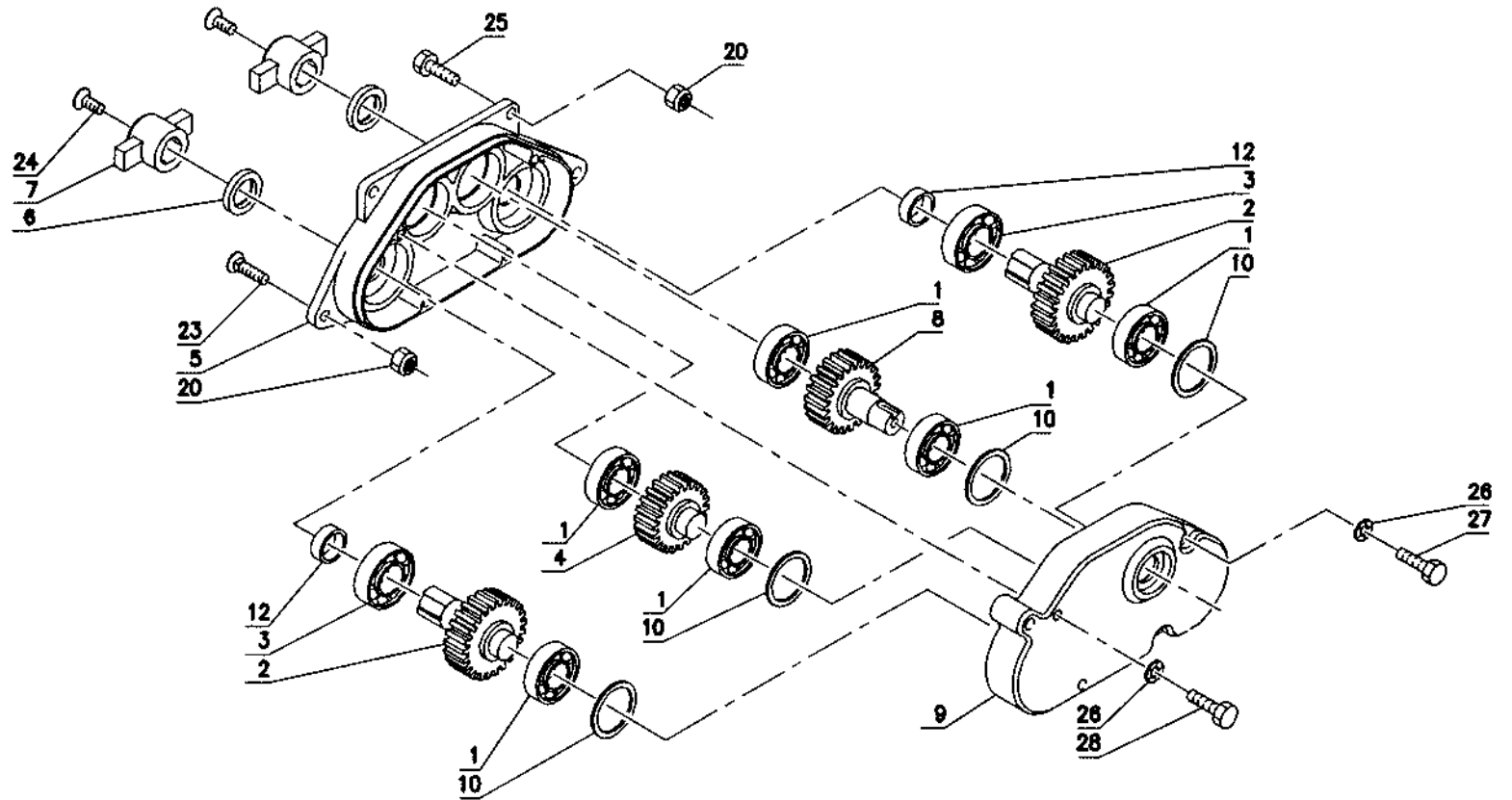
DATE PURCHASED _____



DRAWING 01

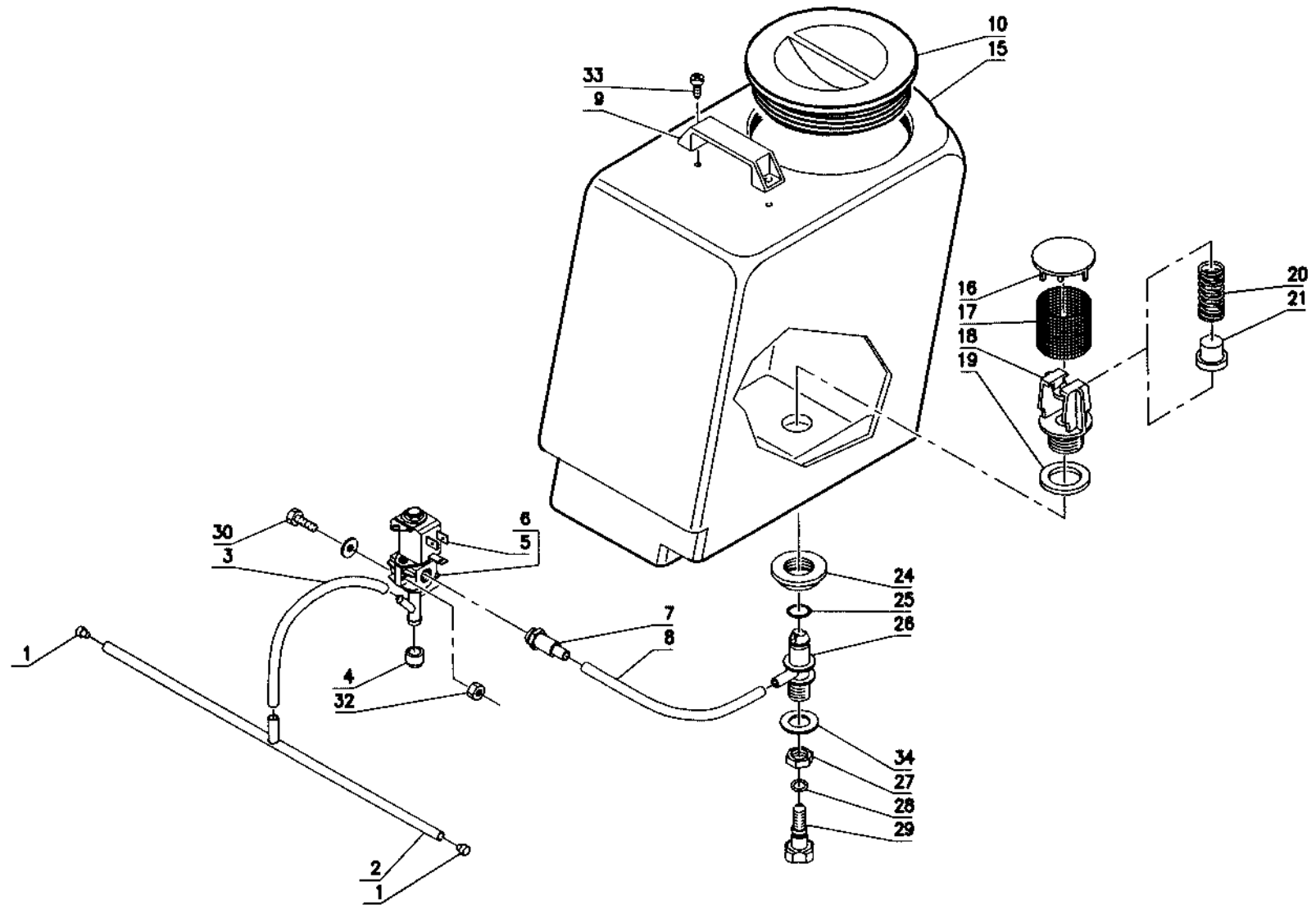
Item	Part Number	Description	Qty.
1	880930	Brush White with Pin	1
2	888530	Right Support	2
3	902028	Bearing	2
4	887630	Oil Seal	2
5	885132	Link	1
6	924024	Wing Nut	1
7	880931	Brush Light Blue with Pin	1
8	887330	Ring	1
9	69210490	Spring	1
10	888531	Support	1
12	42103130	Right Pin Brush, starting SN#99003536	2
	42103100	Right Pin Brush, before SN#99003536	
14	885231	Brush Motor, 115v	1
15	885030	Key	1
16	888230	Spacer	2
17	69410180	Pulley (50Hz)	1
17A	886930	Pulley (60Hz)	1

Item	Part Number	Description	Qty.
18	903015	Belt	1
19	886730	Pin	1
20	885031	Key	1
22	883530	Reduction Gear Assembly	1
24	886931	Pulley	1
25	980038	Special Washer	2
40	924025	Nut
41	980039	Washer	
42	964060	Screw	
45	964061	Screw	
46	980040	Washer	
47	924026	Lock Nut	
49	980041	Lock Washer	
50	964062	Screw	
52	882120	Clip	
53	886851	Cap	4



DRAWING 02

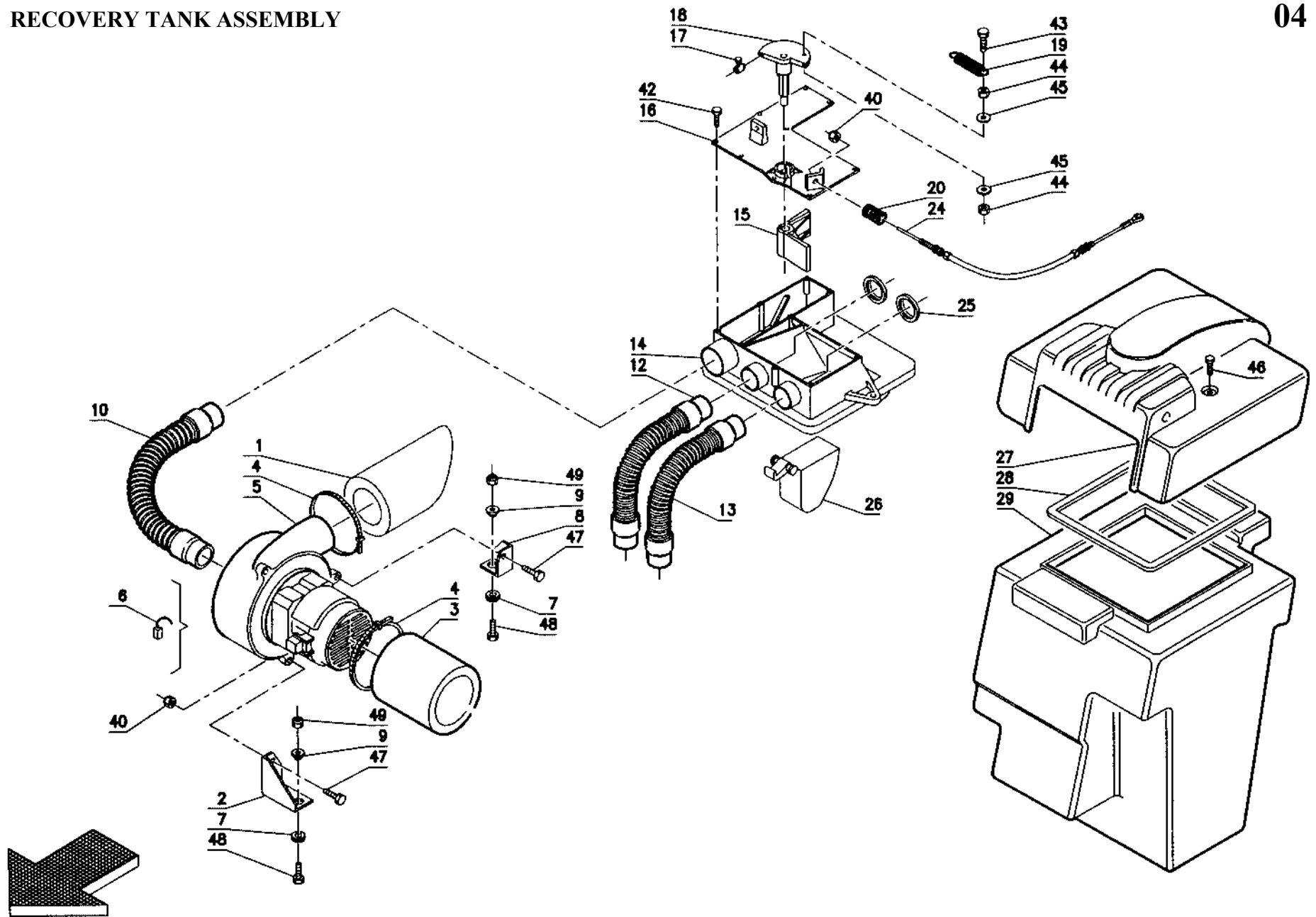
Item	Part Number	Description	Qty.
1	902029	Bearing	6
2	883531	Driven Gear	2
3	902030	Bearing	2
4	883532	Idle Wheel	1
5	884230	Reduction Gear Box	1
6	887630	Oil Seal	2
7	882430	Coupling	2
8	883533	Driving Gear	1
9	882330	Cover	1
10	887331	Ring	4
12	888231	Spacer	2
20	924026	Lock Nut	
23	964061	Screw	
24	964063	Screw	
25	964064	Screw	
26	980041	Lock Washer	
27	964065	Screw	
28	964066	Screw	
	883530	Reduction Gear Assembly	1



DRAWING 03

Item	Part Number	Description	Qty.
1	886830	Plug	2
2	886030	Pipe	1
3	884130	Hose	1
4	881530	Cap	1
5	882230	Coil	1
6	888532	Solenoid Valve with Coil	1
7	883330	Fitting	1
8	884131	Hose	1
9	883930	Handle	1
10	886844	Cover	1
15	888630	Solution Tank	1
*16	882331	Cover	1
*17	883331	Filter	1
*18	883332	Filter Holder	1
19	883430	Gasket	1
*20	888331	Spring	1
*21	881330	Valve Body	1
24	924027	Ring Nut	1
25	885830	O-Ring	1
26	889430	Valve	1
27	924028	Nut 3/8"	1
28	885831	O-Ring	1
29	960026	Special Screw	1
30	964067	Screw	
32	924029	Lock Nut	
33	964068	Screw	
34	924030	Washer	
*	883333	Filter Assembly	1

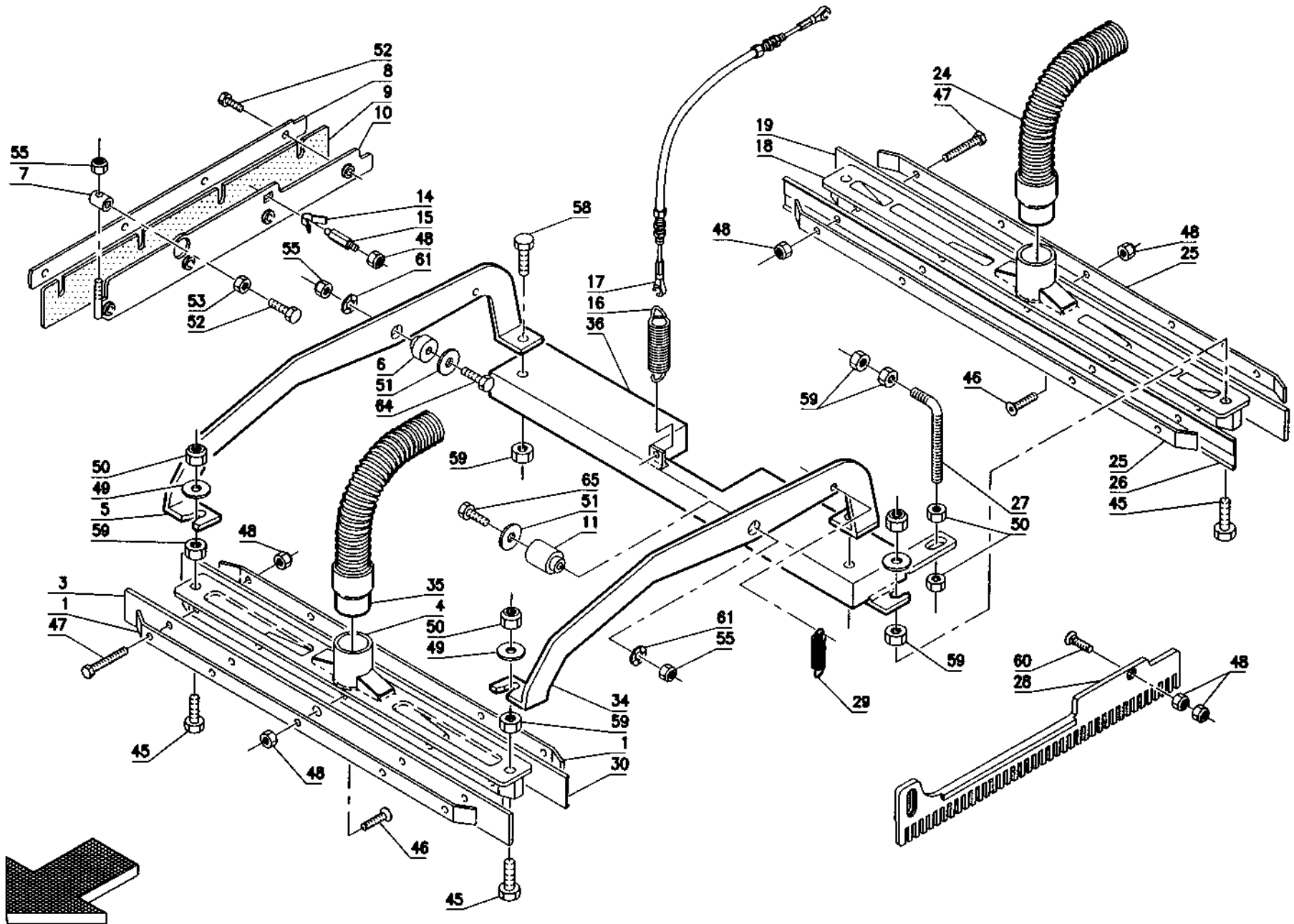
RECOVERY TANK ASSEMBLY



DRAWING 04

Item	Part Number	Description	Qty.
1	884132	Deading Hose	1
2	888540	Support	1
3	884133	Deading Hose	1
4	882030	Clamp	2
5	885230	Vacuum Motor (115V)	1
6	880933	Carbon Brush, Motor (w/out holder)	2
	200951	Carbon Brush, Motor (with holder)	
7	883830	Fairlead	3
8	888533	Support	1
9	888232	Spacer	3
10	884134	Hose	1
12	884135	Hose	1
13	884136	Hose	1
14	882730	Distributor	1
15	889230	Throttle Valve	1
16	882332	Cover	1
17	888534	Holdfast	1
18	886932	Pulley	1

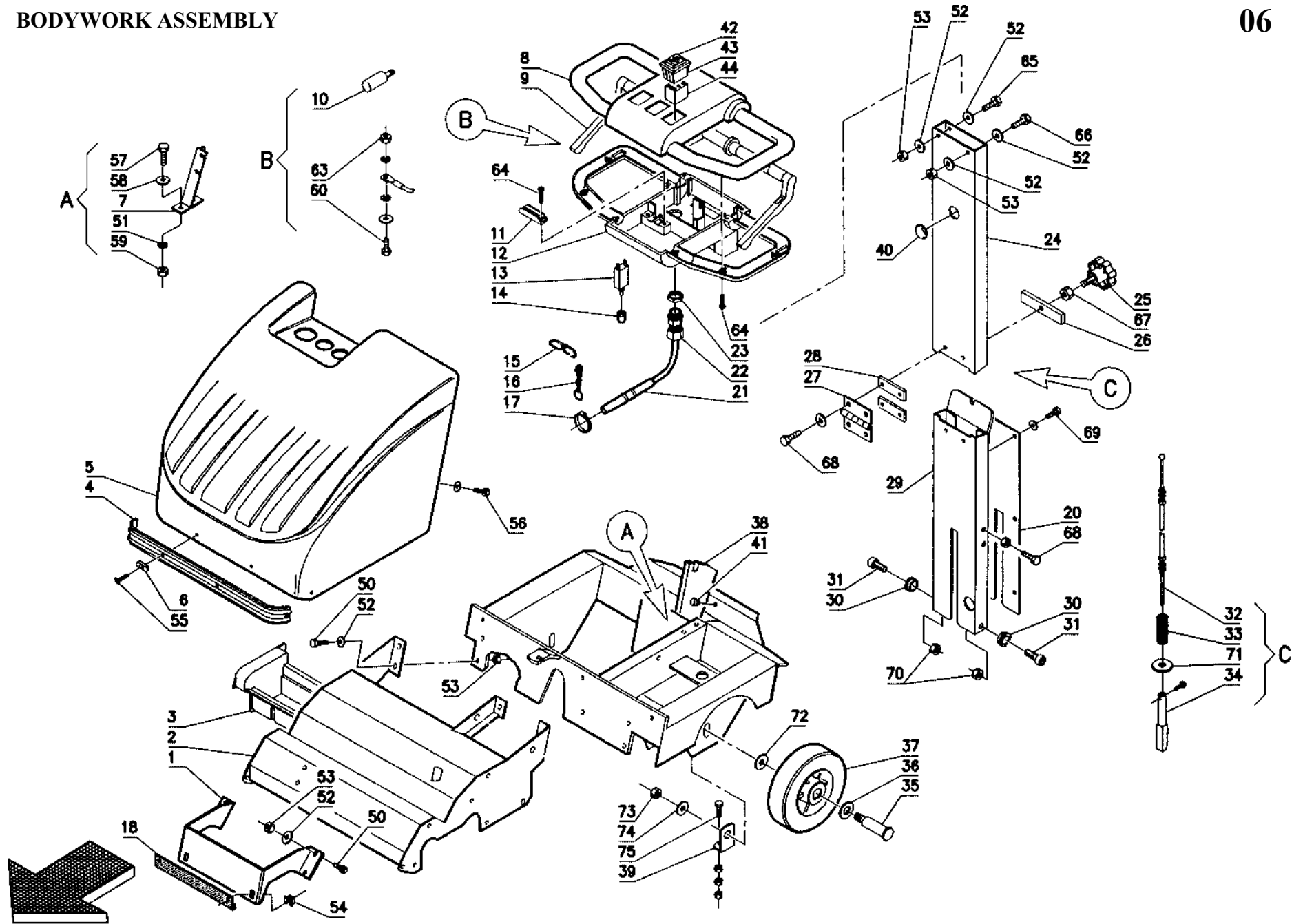
Item	Part Number	Description	Qty.
19	888333	Spring	1
20	888334	Spring	1
24	882431	Cable	1
25	883431	Gasket	2
26	883334	Float	1
27	882333	Cover	1
28	883432	Gasket	1
29	888631	Recovery Tank	1
40	924026	Lock Nut	
42	964069	Screw	
43	964070	Screw	
44	924031	Nut	
45	980043	Washer	
46	964071	Screw	
47	964064	Screw	
48	964062	Screw	
49	924032	Lock Nut	



DRAWING 05

Item	Part Number	Description	Qty.
*1	887230	Blade	2
*3	880730	Front Rubber	1
*4	881331	Squeegee Body	1
5	880330	Right Arm	1
6	886731	Pin	1
7	882432	Coupling	1
8	887231	Blade	1
9	887530	Side Squeegee Blade Right	1
10	881332	Side Bar Right	1
11	886732	Pin	1
14	884530	Hook	1
15	884531	Hook Head	1
16	888335	Spring	1
17	882433	Cable	1
**18	881333	Squeegee Body	1
**19	880731	Rear Rubber	1
24	884136	Suction Pipe	1
**25	887232	Blade	1
**26	880732	Front Rubber	2
27	880530	Adjuster	1
28	881334	Side Squeegee Left with Metal Reinforcement	1
29	888336	Spring	1
*30	880733	Rear Rubber	1

Item	Part Number	Description	Qty.
34	880331	Left Arm	1
35	884135	Suction Pipe	1
36	888535	Support	1
45	964072	Screw	1
***46	964073	Screw	
***47	964074	Screw	
***48	924032	Lock Nut	
49	980044	Washer	
50	924033	Lock Nut	
51	980040	Washer	
52	964075	Screw	
53	924034	Nut	
55	924026	Lock Nut	
58	964076	Screw	
59	924035	Nut	
60	964077	Screw	
61	980045	Lock Nut	
64	964078	Screw	
65	964079	Screw	
*	888536	Front Squeegee Assembly	1
**	888537	Rear Squeegee Assembly	1
***		Included in Both Assemblies	



DRAWING 06

Item	Part Number	Description	Qty.
1	888538	Support	1
2	889231	Tunnel	1
3	884532	Hopper	1
4	881230	Bumper	1
5	882334	Cover	1
6	882131	Clip	4
7	888539	Support	1
8	882335	Handle Bar Cover	1
9	885133	Lever	1
10	883335	Filter	1
11	880830	Bracket	1
12	881335	Handle Bar Body	1
13	911169	Safety Switch	1
14	881531	Protection Cap	1
15	882434	Chain	1
16	884533	Hook	1
17	882031	Clamp	1
18	882336	Profile	1
20	42146030	Cover	1
21	888130	Guiding Slit	1
22	883336	Fair-Lead	1
23	924036	Special Nut	1
24	888541	Support	1
25	885032	Knob	1
26	880734	Blade	1
27	884534	Hinge	1
28	888233	Plaque	2
29	888542	Support	1
30	881130	Bushing	2
31	960027	Special Screw	2
32	882435	Cable	1
33	888330	Spring	1
34	886733	Pin	1
35	886734	Pin	2
36	980619	Special Washer	2
37	889730	Rubber Wheel	2
37A	67010270	Polyurethane Wheel	2

Item	Part Number	Description	Qty.
38	883230	Frame	1
39	888543	Support	2
40	883850	Guiding Slit	1
41	881231	Bumper	2
42	881531	Cap	3
43	911173	Switch	3
44	882436	Connector	3
50	964080	Screw	
51	980045	Lock Washer	
52	980042	Washer	
53	924026	Lock Nut	
54	924037	Nut	
55	964081	Screw	
56	964065	Screw	
57	964064	Screw	
58	980040	Washer	
59	924048	Nut	
60	964070	Screw	
61	980043	Washer	
62	980058	Lock Washer	
63	924031	Nut	
64	70943902	Screw	
65	964079	Screw	
66	70910620	Screw	
67	924038	Nut	
68	964062	Screw	
69	964082	Screw	
70	924035	Nut	
71	980046	Washer	
72	980047	Washer	
73	924039	Nut	
74	980048	Lock Washer	
75	964083	Screw	
76	980066	Washer	
77	964114	Screw	
78	964075	Screw	
79	964109	Screw	

ELECTRICAL COMPONENTS

Position	Part Number	Description
1	911173	Switch, Vacuum Motor
2	911173	Switch, Solenoid Valve
3	911173	Switch, Brush Motor
4	911169	Circuit Breaker, 6 Amp
5	883335	Filter, Antijammimg
6	911170	Microswitch, Solenoid Valve
7	911213	Start Capacitor, 60MFD, 450VAC
8	885231	Brush Motor, 115V
9	885230	Vacuum Motor, 115V
10	882230	Coil, Solenoid, 115V

Cables	Part Number	Description
1	908091	Cord Assembly, 50'
2	68021002	Cable 7x1x1850 with Sheath
3	68021003	2 Cables Brown 1x150
4	68021004	Cable, Brown 1x250
5	68021005	Cable, Yellow-Green 1x250
6	68021006	Cable, Yellow-Green 1x80
7	68021008	Cable 3x1x700