



## Electronic Service Manuals

This electronic document is provided as a service to our customers. We do not create the contents of the information contained in this document. Should you have detailed questions pertaining to the information contained in this document, you may contact Michco, or the manufacturer which provided the original information in this electronic deliverable. Michco's only part in this electronic deliverable was the electronic assembly process. By providing this manual on line we are not guaranteeing parts availability.

You may contact Michco through the following methods:

Phone (517) 484-9312 or (800) 331-3339

2011 N. High St. -- Lansing, Michigan -- 48906

Fax: (517) 484-9836

Email: [CustServe@Michco.com](mailto:CustServe@Michco.com)

Web site: [www.Michco.Com](http://www.Michco.Com)

Parts Web site: [www.FloorMachineParts.Com](http://www.FloorMachineParts.Com)

Order Parts on Line at:

**[www.FloorMachineParts.Com](http://www.FloorMachineParts.Com)**

Directly to Parts & Service:

By Email: **[Shop@Michco.com](mailto:Shop@Michco.com)**

By Fax: (517) 702-2041

By Voice: Use numbers above.

***Serving the Cleaning Industry Since 1922***

Notice: All copyrighted material remains property of original owners, all trademarks are property of respective owners. Manuals are subject to Manufacturer's reproduction limitations. Originals or reproductions were provided by manufacturers through a request. We make no warranty as to the correctness of information provided in this document and you assume all risk. By placing these manuals on line we are not declaring our corporation to be an manufacturer authorized dealer or provider, please check our web site for authorized manufacturers we represent.

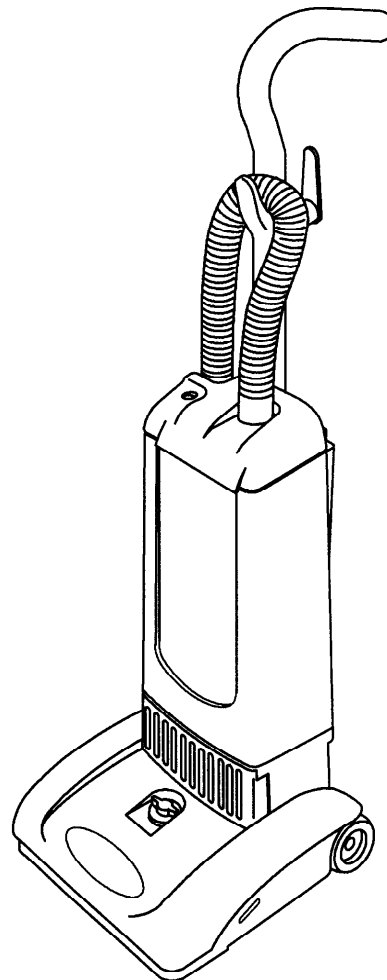


# Viper®

**Upright Vacuum Cleaner  
Aspiradora vertical**

**Model No.:  
608669**

**Operator and Parts Manual  
Manual del Operador y de Piezas**



**NOBLES**  
12875 RANSOM STREET  
HOLLAND MI 49424 U.S.A.

**CUSTOMER SERVICE: 1-800-365-6625  
FAX: 1-800-678-4240**

**608680  
Rev. 02 (11-00)**

# OPERATION

---

This manual is furnished with each new upright vacuum cleaner. It provides necessary operation, maintenance instructions and parts list.

**Read this manual completely and understand the machine before operating or servicing it.**

When ordering replacement parts use the Parts Lists section in this manual. Before ordering parts or supplies, be sure to have your machine model number and serial number handy. Parts and supplies may be ordered by phone or mail from any Authorized Service Center or Distributor.

This machine will provide excellent service. However, the best results will be obtained at minimum costs if:

- The machine is operated with reasonable care.
- The machine is maintained regularly - per the machine maintenance instructions provided.
- The machine is maintained with manufacturer supplied or equivalent parts.

---

## MACHINE DATA

---

Please fill out at time of installation for future reference.

Model No.- \_\_\_\_\_

Install. Date - \_\_\_\_\_

Serial No.- \_\_\_\_\_

© 2000 Tennant Company

Printed in U.S.A.

Nobles and Viper are registered United States trademarks of Tennant Company. EZGrip is a United States trademark of Tennant Company.

Specifications and parts are subject to change without notice.

---

## TABLE OF CONTENTS

---

<b>SAFETY PRECAUTIONS .....</b>	<b>3</b>	<b>RECOMMENDED STOCK ITEMS .....</b>	<b>9</b>
<b>MACHINE COMPONENTS .....</b>	<b>4</b>	<b>TROUBLE SHOOTING .....</b>	<b>9</b>
<b>MACHINE INSTALLATION .....</b>	<b>4</b>	<b>SPECIFICATIONS .....</b>	<b>10</b>
<b>MACHINE SETUP .....</b>	<b>5</b>	<b>ELECTRICAL DIAGRAMS .....</b>	<b>21</b>
<b>MACHINE OPERATION .....</b>	<b>6</b>	<b>PARTS LIST .....</b>	<b>22</b>
<b>MACHINE MAINTENANCE .....</b>	<b>7</b>	<b>OPTIONAL ATTACHMENT KIT .....</b>	<b>27</b>
<b>STORING MACHINE .....</b>	<b>9</b>	<b>REPLACEMENT BAGS .....</b>	<b>27</b>

---

## SAFETY PRECAUTIONS

---

This machine is intended for commercial use. It is designed to pick up dirt, dry debris and dust in an indoor environment and is not constructed for any other use. The pick up of any type of liquids is prohibited.

The following safety alert symbols are used throughout this manual as indicated in their description.

**⚠ WARNING: To warn of hazards or unsafe practices which could result in severe personal injury or death.**

**FOR SAFETY: To identify actions which must be followed for safe operation of equipment.**

The following information signals potentially dangerous conditions to the operator or equipment:

**FOR SAFETY:**

1. **Do not operate machine:**
  - Unless trained and authorized.
  - Unless operator manual is read and understood.
  - In flammable or explosive areas unless designed for use in those areas.
  - Unless cord is properly grounded.
  - With damaged cord or plug.
  - If not in proper operating condition.
  - On wet surfaces.
  - In outdoor areas.
  - Without bag and/or filters in place.
  - With the use of an extension cord.
2. **Before operating machine:**
  - Make sure all safety devices are in place and operate properly.
3. **When using machine:**
  - Do not run machine over cord.
  - Do not pull machine by plug or cord.
  - Do not pull cord around sharp edges or corners.
  - Do not close doors on cord.
  - Do not unplug by pulling on cord.
  - Do not stretch cord.
  - Do not handle plug with wet hands.
  - Keep cord away from heated surfaces.
  - Do not pick up burning or smoking debris, such as cigarettes, matches or hot ashes.
  - Report machine damage or faulty operation immediately.

4. **Before leaving or servicing machine:**
  - Turn off machine.
  - Unplug cord from wall outlet.
5. **When servicing machine:**
  - Unplug cord from wall outlet.
  - Avoid moving parts. Do not wear loose jackets, shirts, or sleeves.
  - Use manufacturer supplied or approved replacement parts.

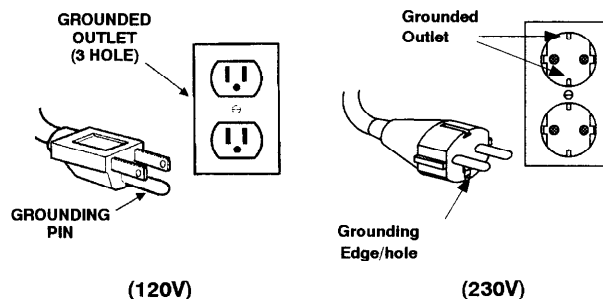
**⚠ WARNING: Hazardous Voltage. Shock or electrocution can result. Unplug machine before servicing.**

**⚠ WARNING: Flammable materials can cause an explosion or fire. Do not pick up.**

---

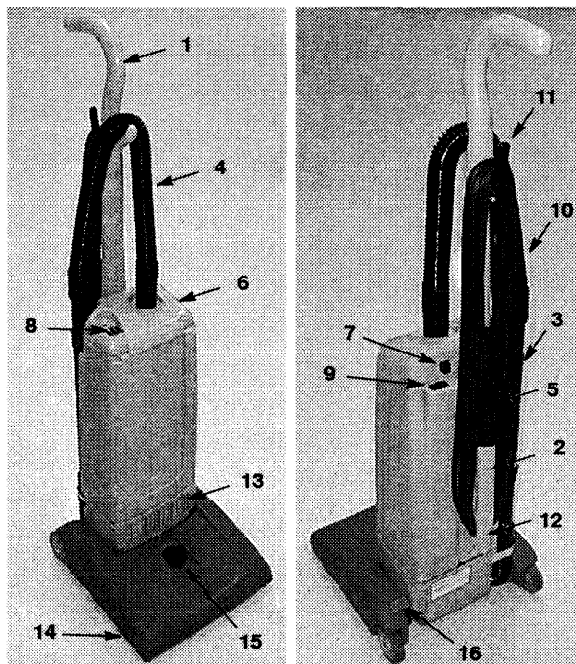
## GROUNDING INSTRUCTIONS

Machine must be grounded. If it should malfunction or breakdown, grounding provides a path of least resistance for electrical current to reduce the risk of electrical shock. This machine is equipped with a cord having an equipment-grounding conductor and grounding plug. The plug must be plugged into an appropriate outlet that is properly installed in accordance with all local codes and ordinances. Do not remove ground pin; if missing, replace plug before use.



# OPERATION

## MACHINE COMPONENTS



1. EZGrip™ Handle
2. Carrying handle
3. Cleaning Wand
4. Expandable Vacuum Hose
5. Onboard Crevice Tool
6. Filter Bag Compartment Lid
7. Bag Compartment Lid Latch
8. Electronic Sensor System
9. Power ON/OFF Switch
10. 12m (40 ft) Power Cord
11. Quick-Release Cord Hook
12. Lower Cord Hook
13. Exhaust Filter Cover
14. Brush Base w/ Edge Cleaning Shoe
15. Brush Height Adjustment Dial
16. Handle Release Latch

## MACHINE INSTALLATION

Carefully check carton for signs of damage. Report damages to carrier immediately.

Check Machine Contents to ensure carton is complete. Contact distributor for missing items.

### Machine Contents:

- Machine
- Handle
- Vacuum Hose/Wand
- Crevice Tool
- Paper Filter Bag (*Pre-installed*)
- Secondary Filter (*Pre-installed*)
- Exhaust Filter (*Pre-installed*)

### Attaching Handle

1. Remove two factory-installed handle mounting screws from bag compartment.
2. Connect the anti-static wires and tuck wire connectors inside of handle (Figure 1).

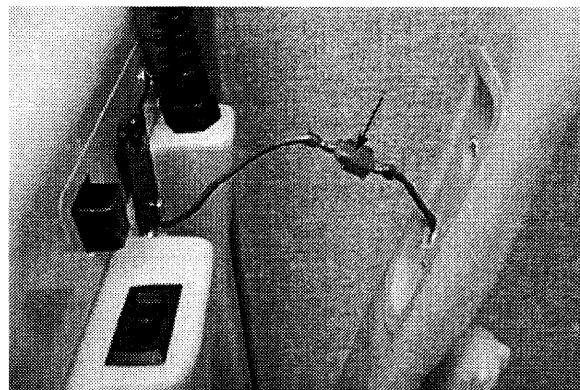


FIG. 1

3. Align handle on bag compartment and replace screws securely (Figure 2).

- Secure power cord with factory-installed cord clamp, located on handle (Figure 2).

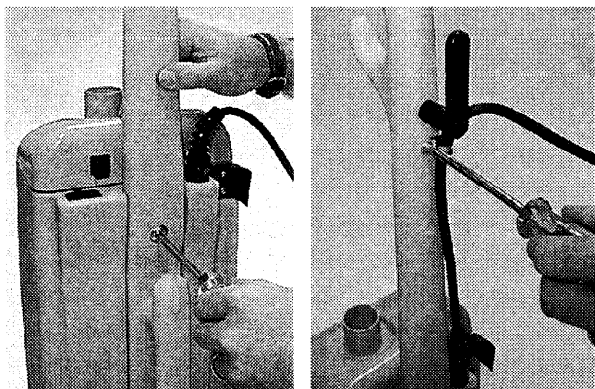


FIG. 2

- Wrap power cord around quick release hook and the lower handle hook.

### Installing Vacuum Hose/Wand

- Slide hose cuff over spout on bag compartment lid and wand into base cuff as shown. Snap wand into retainer clip (Figure 3).
- Store crevice tool on carrying handle (Figure 3).

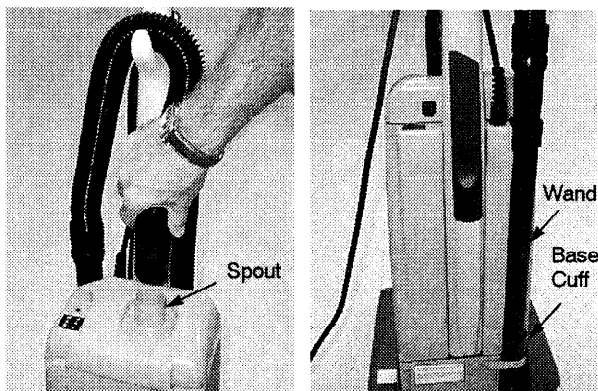


FIG. 3

### MACHINE SETUP

**⚠ WARNING: Hazardous Voltage. Shock or electrocution can result. Unplug machine before servicing.**

- Install filter bag (pre-installed). Depress latch on lid to open bag compartment (Figure 4).

Contact distributor for optional cloth bag #900034.

**NOTE:** The machine will not operate without a filter bag in place. The protective vacuum motor lockout device will automatically sense when a bag is not installed.

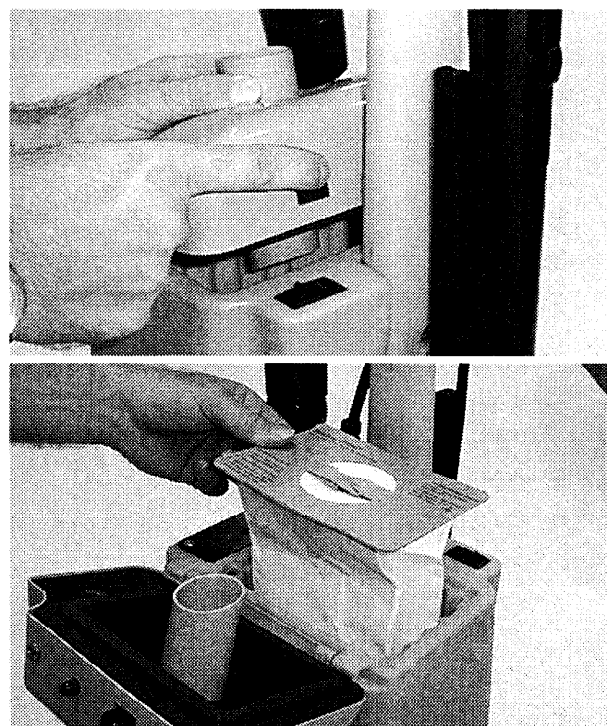


FIG. 4

- Adjust brush height. Turn brush height adjustment dial to desired setting as follows (Figure 5):

#### Brush Height Settings:

- 1-2 Short Carpet Pile
- 3-4 Medium Carpet Pile
- 5-6 High Carpet Pile

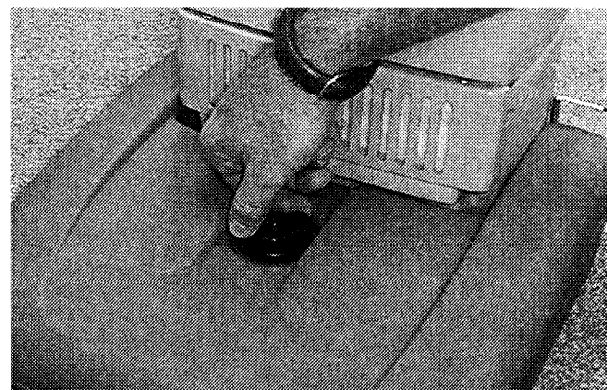


FIG. 5

# OPERATION

3. Pull and turn quick-release hook to remove power cord (Figure 6).

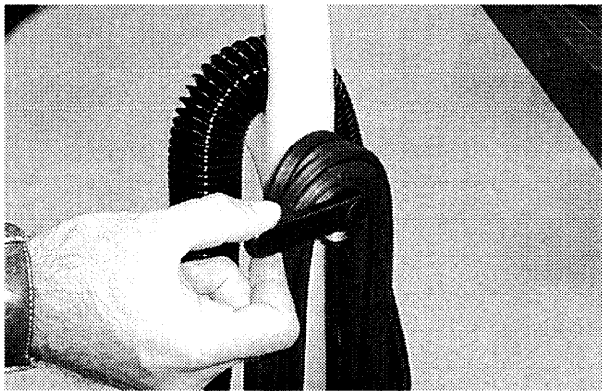


FIG. 6

4. Plug power cord into a grounded wall outlet (Figure 7).

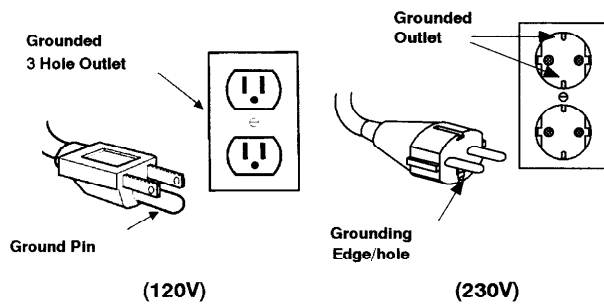


FIG. 7

**FOR SAFETY: Do not operate machine unless cord is properly grounded.**

**FOR SAFETY: Do not operate machine with the use of an extension cord.**

## MACHINE OPERATION

**FOR SAFETY: Do not operate machine unless operator manual is read and understood.**

1. Activate ON/OFF switch.

**⚠ WARNING: Flammable materials can cause an explosion or fire. Do not pick up.**

2. Lower handle to operating position by stepping on handle release latch (Figure 8).

**NOTE: Brush motor will not start until handle is lowered.**

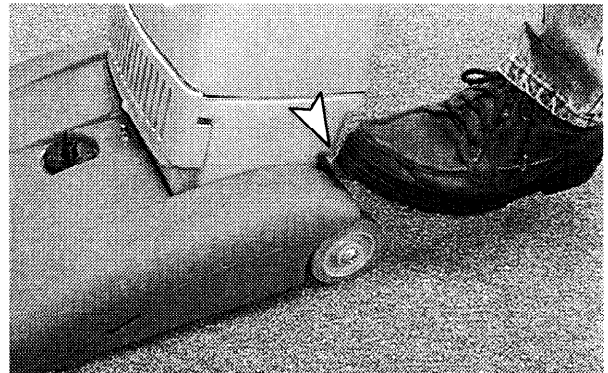


FIG. 8

3. Begin vacuuming floor. Operate machine with a back and forth motion or "W" pattern.
4. To operate in the horizontal position, lower handle to the stop point and step on release latch again (Figure 9).

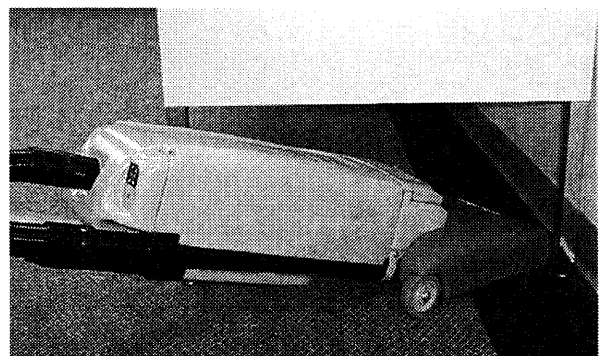
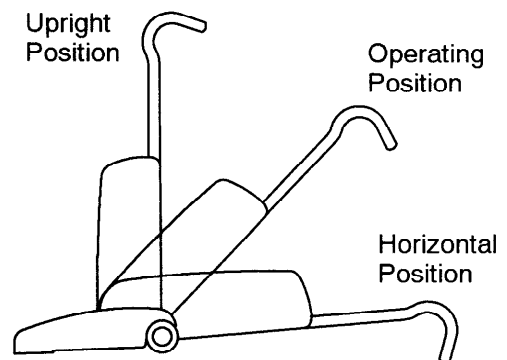


FIG. 9

- To stop vacuuming, raise handle to the upright position and turn off power switch.

### Electronic Sensor System

The machine's Electronic Sensor System monitors the condition of the machine while operating. The sensor light, located on the bag compartment lid (Figure 10), will indicate the following conditions:

**Green Light** = Machine Functioning Properly.

**Blinking Orange Light** = Full Bag or Air Obstruction. Replace bag or remove air obstruction in vacuum hose.

**Blinking Red Light** = Brush Obstruction or Brush Height set too low (Amp. overload). Remove brush obstruction or readjust brush height.

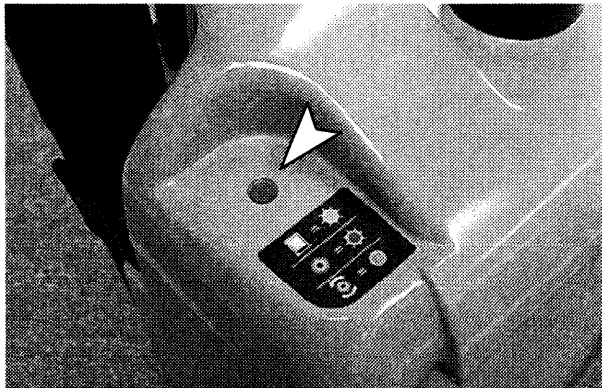


FIG. 10

To reset sensor system, turn power switch off and then back on again.

**NOTE:** The vacuum motor is also protected by an internal thermal overload sensor. If motor temperature gets too high, the thermal sensor will shut off motor. Sensor will automatically reset when motor cools.

### Wand Operation

The machine is equipped with a "ready to use" wand and crevice tool.

Contact local distributor for Optional Tool Kit #604802  
Kit includes: Upholstery Tool and Dusting Brush.

- Stand machine upright. When upright, the power to the brush motor automatically shuts off.

**ATTENTION:** When using the wand, keep machine upright to prevent possible carpet damage.

- Detach wand from retainer clip and attach crevice tool located on carrying handle (Figure 11).

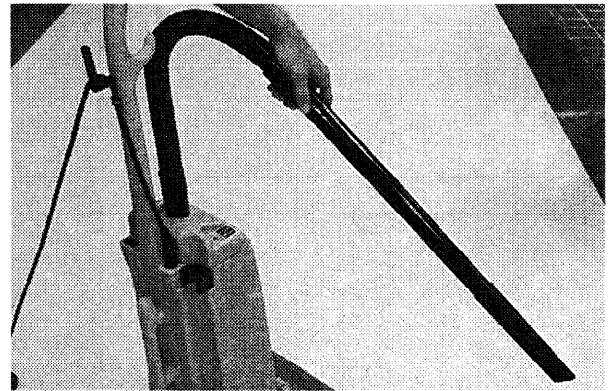


FIG. 11

- Activate ON/OFF switch.

**⚠ WARNING: Flammable materials can cause an explosion or fire. Do not pick up.**

The wand's hose expands up to 2.4 m (8 ft) in reach (Figure 12)



FIG. 12

### MACHINE MAINTENANCE

To keep machine in good working condition, simply follow machine's daily, weekly and quarterly maintenance procedures.

**FOR SAFETY:** When servicing machine, unplug cord from wall outlet.

#### DAILY (Every 4 Hours of Use)

- Replace filter bag. Do not reuse paper bags. Empty optional cloth bag and inspect for damage.
- Remove entangled debris from brush.
- Inspect vacuum hose for damage and clogged debris.
- Inspect power cord and strain relief for damage. Replace if necessary.

# OPERATION

5. Wind power cord around cord hooks rather than loosely looped over handle.
6. Clean machine housing with an all purpose cleaner and damp cloth.

## WEEKLY (Every 20 Hours of Use)

1. Remove secondary filter and tap or blow off dust build-up, filter is located below filter bag. Do not clean with water. Replace filter if needed (Figure 13).

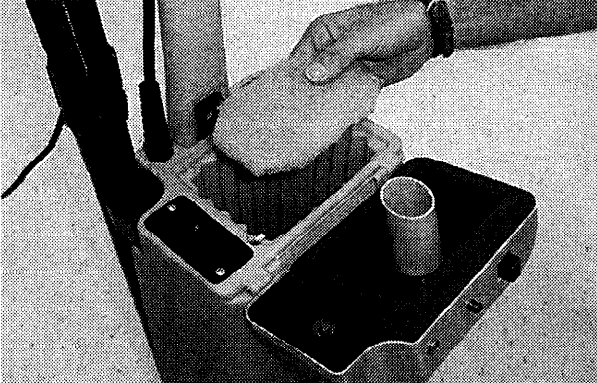


FIG. 13

2. Remove exhaust cover and inspect exhaust filter (Figure 14). Replace filter if needed.

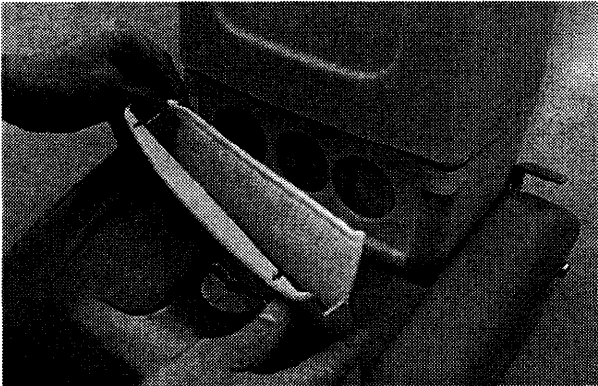


FIG. 14

3. Inspect brush bristles for wear. If bristles are worn to 14 mm (0.56 in) or less in length, see Brush Maintenance.

## QUARTERLY (Every 250 Hours of Use)

Check motors for carbon brush wear. Replace brushes when worn to 10 mm (0.38 in) or less in length. Contact Service Center for carbon brush inspection.

**⚠ WARNING: Hazardous Voltage. Shock or electrocution can result. Unplug machine before servicing.**

## BRUSH MAINTENANCE

If brush bristles are worn to 14 mm (0.56 in) or less, rotate the bearing blocks to extend brush life as follows:

**⚠ WARNING: Hazardous Voltage. Shock or electrocution can result. Unplug machine before servicing.**

1. Remove metal brush shoe from brush base. (Philips screwdriver is required.)
2. Remove brush assembly. Grip brush on opposite side of belt and pull outward.
3. Inspect drive belt(s) for wear; replace if necessary.
4. Rotate both bearing blocks 180° and reinstall brush (Figure 15).

**NOTE:** Brush bearing blocks are labeled with numbers. To extend brush life, position label "2" outwards when reinstalling brush.

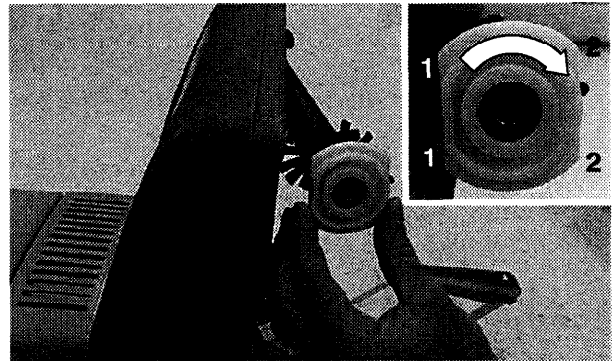


FIG. 15

5. Replace metal brush shoe after brush is properly installed.

**FOOT LATCH ADJUSTMENT**

Foot latch adjustment is required if machine handle doesn't lock in the upright position and/or brush motor continues to run while in the upright position. Follow adjusting instructions below:

**⚠ WARNING: Hazardous Voltage. Shock or electrocution can result. Unplug machine before servicing.**

1. Lay vacuum cleaner face down.
2. Loosen foot latch screw, 10mm wrench required (Figure 16).
3. Turn adjustment bushing to realign foot latch, 16 mm wrench required. Bushing has an off-center hole to allow for foot latch adjustment.

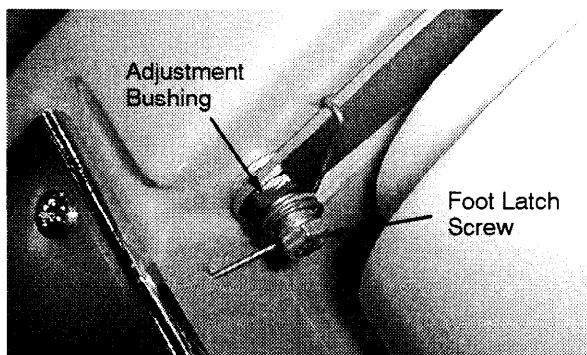


FIG. 16

4. Retighten foot latch screw.

**STORING MACHINE**

Store machine in a dry area in the upright position. **ATTENTION: Do not expose to rain. Store indoors.**

**RECOMMENDED STOCK ITEMS**

Refer to Parts List section for recommended stock items. Stock items are clearly identified with a bullet preceding the parts description. See example below (Figure 17):

Ref.	Part No.	Description	Qty.
1	701100	ASSEMBLY, STANDPIPE	1
2	180613	• FLOAT, SHUTOFF	1
3	230187	NIPPLE	1
4	101274	• GASKET	1
5	210240	NUT, FLANGED	1

FIG. 17

**TROUBLE SHOOTING**

PROBLEM	CAUSE	SOLUTION
Machine does not operate.	Filter bag not installed.	Install filter bag.
	Faulty power cord.	Contact Service Center.
	Faulty ON/OFF switch.	Contact Service Center.
	Faulty electronic sensor system.	Contact Service Center.
	Loose wiring.	Contact Service Center.
	Building circuit breaker tripped.	Reset circuit breaker.
Vacuum motor does not operate.	Internal thermal overload sensor tripped in vacuum motor.	Remove air obstruction. Let motor cool for 20 minutes.
	Faulty electronic sensor system.	Contact Service Center.
	Worn carbon brushes in vacuum motor.	Contact Service Center.
	Defective vacuum motor.	Contact Service Center.
Brush does not operate.	Electronic sensor system activated (blinking red light).	Turn off machine. Inspect brush for obstruction or readjust brush height.
	Loose or broken brush belt(s).	Replace belt(s).
	Defective brush motor.	Contact Service Center.
	Faulty electronic sensor system.	Contact Service Center.

# OPERATION

## TROUBLE SHOOTING - Continued

Poor vacuum performance.	Full bag (blinking orange light).	Replace bag.
	Loose vacuum hose connections.	Tighten hose connections.
	Defective vacuum hose.	Replace hose.
	Clogged secondary filter.	Clean or replace secondary filter.
	Bag compartment lid not closed tightly.	Close lid.
Poor brush pick-up.	Improper brush height.	Adjust brush height.
	Entangled debris in brush.	Remove clogged material.
	Worn brush bristles or bearings.	See BRUSH MAINTENANCE.
	Loose drive belt(s).	Inspect belt(s), replace if needed.

## SPECIFICATIONS

MODEL	120V	230V
LENGTH	368 mm (14.5 in)	368 mm (14.5 in)
WIDTH	356 mm (14.0 in)	356 mm (14.0 in)
HEIGHT	1194 mm (47.0 in)	1194 mm (47.0 in)
WEIGHT	9.5 Kg (21 lbs) without power cord	9.5 Kg (21 lbs) without power cord
BRUSH MOTOR	120V, 0.1hp, 1A, 3600 rpm	230V, 0.12hp, 1A, 3600 rpm
VACUUM MOTOR	120V, 1.3 hp, 8A, 960W	230V, 1.3hp, 4A, 960W
POWER CORD LENGTH	12 m (40 ft)	12 m (40 ft)
SWEEPING PATH WIDTH	356 mm (14 in) includes edge cleaning	356 mm (14 in) includes edge cleaning
VACUUM BAG CAPACITY	5 L (5.2 qts)	5 L (5.2 qts)
FILTRATION SYSTEM	Triple filtration: Filter bag, secondary filter and exhaust filter. High efficiency (99.9%) to 0.1 micron	Triple filtration: Filter bag, secondary filter and exhaust filter. High efficiency (99.9%) to 0.1 micron
DECIBEL RATING AT OPERATOR'S EAR, INDOORS ON CARPET	69.5 dB(A)	69.5 dB(A)

Este manual se incluye con cada nueva aspiradora vertical. Proporciona las instrucciones necesarias de operación y mantenimiento, y lista de las piezas.

**Lea completamente este manual y entienda la máquina antes de operarla o repararla.**

Al pedir piezas de repuesto usar la sección de Listas de Piezas en este manual. Antes de pedir piezas o suministros, asegurarse de tener el número de modelo y de serie. Las piezas y suministros pueden ser pedidos por teléfono o por correo de cualquier Centro de Servicio o Distribuidor, Autorizados.

Esta máquina proporcionará un servicio excelente. Sin embargo, los mejores resultados serán obtenidos a los costos mínimos si:

- La máquina se opera con un cuidado razonable.
- La máquina se mantiene regularmente – según las instrucciones de mantenimiento provistas.
- La máquina se mantiene con las piezas provistas por el fabricante o equivalentes.

## DATOS MECANICOS

Por favor complete en momento de instalación para referencia futura.

Modelo No.- \_\_\_\_\_

Fecha de inst. - \_\_\_\_\_

No. de serie- \_\_\_\_\_

## INDICE

PRECAUCIONES DE SEGURIDAD .....	12	ARTICULOS EN EXISTENCIA .....	19
COMPONENTES DE LA MAQUINA .....	13	LOCALIZACION DE FALLAS .....	19
INSTALACIÓN DE LA MAQUINA .....	14	ESPECIFICACIONES .....	20
PREPARACION DE LA MAQUINA .....	15	DIAGRAMAS ELECTRICAS .....	21
OPERACION DE LA MAQUINA .....	16	LISTA DE PIEZAS .....	22
MANTENIMIENTO DE LA MÁQUINA .....	17	JUEGO OPCIONAL DE ADITAMENTOS .....	27
ALMACENAMIENTO DE LA MAQUINA .....	18	BOLSAS DE REPUESTO .....	27


---

## PRECAUCIONES DE SEGURIDAD

---

Esta máquina está diseñada para el uso comercial. Se diseñó para recoger la suciedad, desechos secos y polvo en ambientes interiores y no se construye para cualquiera otro uso. La aspiración de cualquier tipo de líquidos se prohíbe.

Los símbolos siguientes de alerta de seguridad se usan en este manual como indicado en su descripción.

 **ADVERTENCIA:** para advertir de riesgos o prácticas inseguras que podrían resultar en severas lesiones personales o la muerte.

**PARA LA SEGURIDAD:** para identificar acciones que deben seguirse para el funcionamiento seguro del equipo.

La información siguiente señala las condiciones potencialmente peligrosas al operador o equipo:

**PARA LA SEGURIDAD:**

### 1. No operar la máquina:

- A menos de estar capacitado y autorizado.
- A menos que el manual del operador se haya leído y entendido.
- En las áreas inflamables o explosivas a menos que se diseñó para el uso en esas áreas.
- A menos que el cordón se conecte apropiadamente a tierra.
- Con un cordón o enchufe dañados.
- Si no está en una condición apropiada de operación.
- En las superficies húmedas.
- En las áreas al aire libre.
- Sin la bolsa y / o filtros en su lugar.
- Con el uso de un alargador de cordón.

### 2. Antes de operar la máquina:

- Asegurarse que todos los dispositivos de seguridad están en su lugar y operan apropiadamente.

### 3. Al usar la máquina:


- No pasar la máquina encima del cordón.
- No tirar de la máquina por el enchufe o cordón.
- No tirar del cordón alrededor de bordes afilados o esquinas.
- No cerrar las puertas sobre el cordón.
- No desenchufar tirando en el cordón.
- No estirar el cordón.
- No sujetar el enchufe con las manos húmedas.
- Mantener el cordón fuera de las superficies calientes.
- No aspirar desechos ardientes o humeantes, tales como cigarrillos, fósforos o cenizas calientes
- Informe inmediatamente acerca de daño de la máquina o de funcionamiento defectuoso.

### 4. Antes de dejar o reparar la máquina:

- Apagar la máquina.
- Desenchufar el cordón del tomacorriente de la pared.

### 5. Al reparar la máquina:

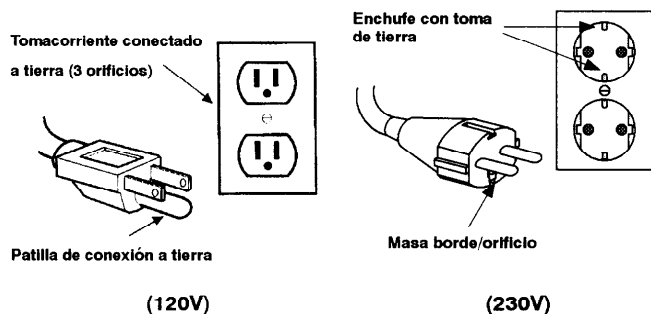
- Desenchufar el cordón del tomacorriente de la pared.
- Evitar las piezas móviles. No usar chaquetas ni camisas holgadas, o mangas.
- Usar piezas de repuesto provistas o aprobadas por el fabricante.

 **ADVERTENCIA:** Voltaje riesgoso. Choque o electrocución pueden resultar. Desenchufar la máquina antes de reparar.

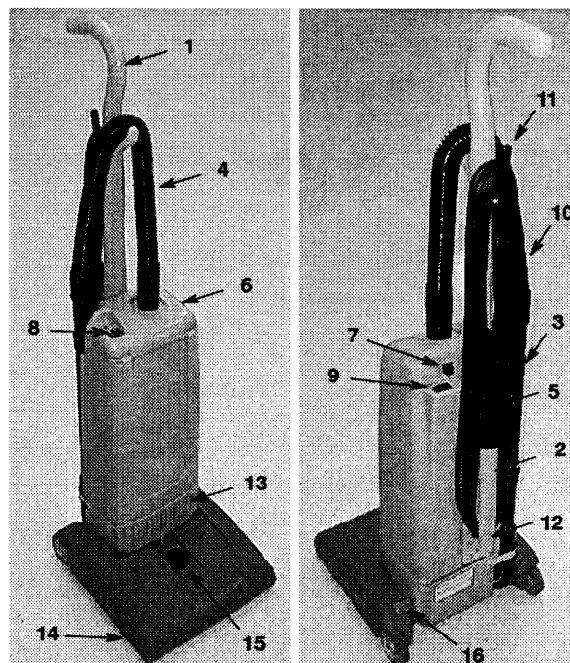
 **ADVERTENCIA:** Los materiales inflamables pueden causar una explosión o fuego. No aspirar.

## INSTRUCCIONES DE CONEXION A TIERRA

La máquina debe conectarse a tierra. Si hay un funcionamiento defectuoso o desperfecto, la conexión a tierra proporciona un recorrido de menor resistencia la corriente eléctrica para reducir el riesgo de choque eléctrico. Esta máquina está provista con un cordón que tiene un conductor de conexión a tierra del equipo y una clavija de conexión a tierra. El enchufe debe enchufarse a un tomacorriente apropiado, instalado apropiadamente de acuerdo con todos los códigos y ordenanzas locales. No quitar la clavija de tierra; si falta, reemplazar el enchufe antes de usar.



## COMPONENTES DE LA MAQUINA



1. Mango EZGrip
2. Mango de transporte
3. Vara de limpieza
4. Manguera extensible de aspiración
5. Herramienta Onboard para hendiduras
6. Tapa del compartimiento de la bolsa de filtro
7. Pestillo de la tapa de compartimiento de la bolsa
8. Sistema del Sensor electrónico
9. Interruptor de Encendido/Apagado
10. Cordón eléctrico de 12m (40 pies)
11. Gancho de desconexión rápida del cordón
12. Gancho del cordón inferior
13. Tapa del filtro de descarga
14. Base del cepillo con zapata de limpieza de Borde
15. Ajuste de la altura del cepillo
16. Pestillo de desconexión del mango

## INSTALACIÓN DE LA MAQUINA

Inspeccionar cuidadosamente la caja por señales de daño. Informar al transportista inmediatamente acerca de daños observados.

Inspeccionar el contenido de la caja para asegurar que esté completo. Avise al distribuidor por los artículos perdidos.

### Contenido de la Máquina:

- La máquina
- Mango
- Manguera/vara de vacío
- Herramienta para hendiduras
- Bolsa de filtro de papel (Preinstalado)
- Filtro secundario (Preinstalado)
- Filtro de descarga (Preinstalado)

### Fijación del Mango

1. Extraer los dos tornillos de montaje del mango, instalados de fábrica, del compartimiento de la bolsa.
2. Conecte los conductores antiestáticos y ajuste los conectores de cable dentro del mango (Figura 18).

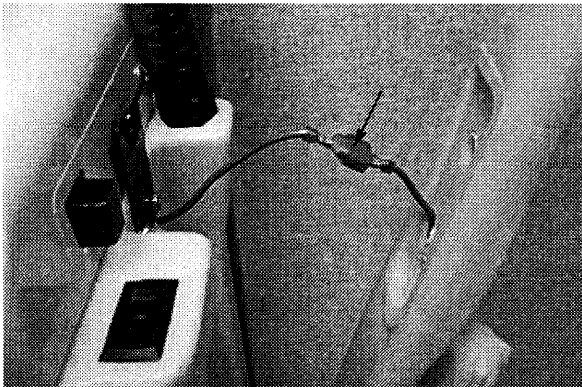


FIG. 18

3. Alinear el mango en el compartimiento de la bolsa y volver a colocar los tornillos bien ajustados (Figura 19).
4. Asegurar el cordón eléctrico con la mordaza del cordón, instalada de fábrica, ubicada en el mango. (Figura 19)

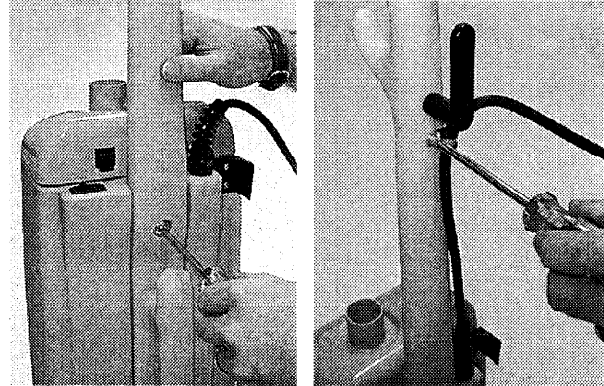


FIG. 19

5. Envolver el cordón eléctrico alrededor del gancho de desconexión rápida y el gancho inferior de la manija.

### Instalación de la Manguera/Vara de vacío

1. Deslizar la camisa de la manguera sobre el pico en la tapa del compartimiento y la vara en la camisa de base según se ilustra. Calzar la vara instantánea en la grapa del retenedor (Figura 20).
2. Guardar la herramienta para hendiduras en el mango para transportar (Figura 20).

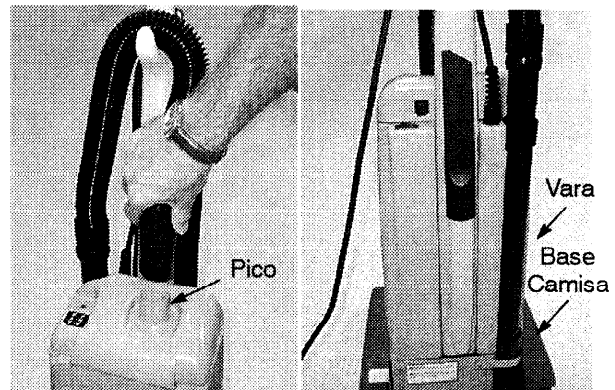


FIG. 20

**PREPARACION DE LA MAQUINA**

**⚠ ADVERTENCIA: Voltaje Riesgoso. Choque o electrocución pueden resultar. Desenchufar la máquina antes de reparar.**

1. Instale la bolsa del filtro (preinstalada). Deprima el pestillo en la tapa para el compartimiento de la bolsa (Figura 21).

Consultar con el distribuidor para la tela opcional de la bolsa #900034.

**NOTA:** La máquina no funciona sin una bolsa del filtro en su lugar. El mecanismo protector del motor de vacío detecta automáticamente cuando la bolsa no está instalada.

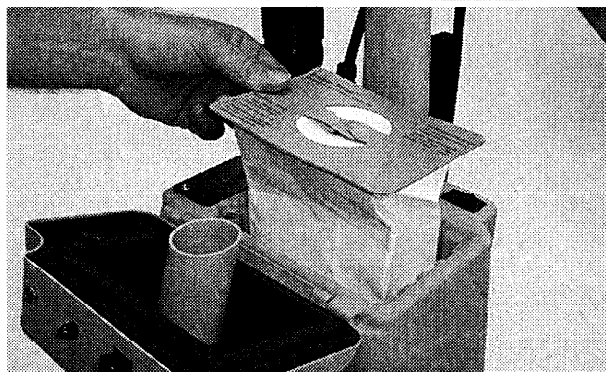
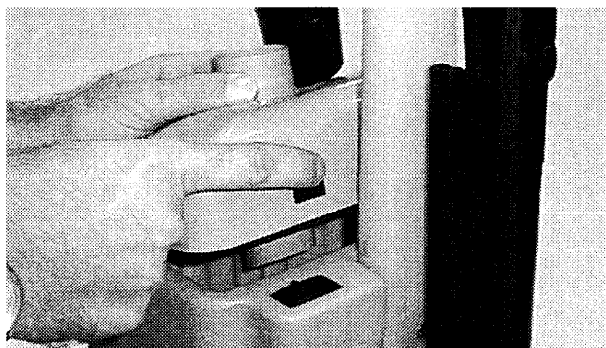


FIG. 21

2. Ajuste de la altura del cepillo. Girar el dial de ajuste de la altura del cepillo a la graduación deseada como sigue (Figura 22):

**Graduaciones de la altura del cepillo:**

- 1-2 Altura pequeña del pelaje
- 3-4 Altura mediana del pelaje
- 5-6 Altura elevada del pelaje

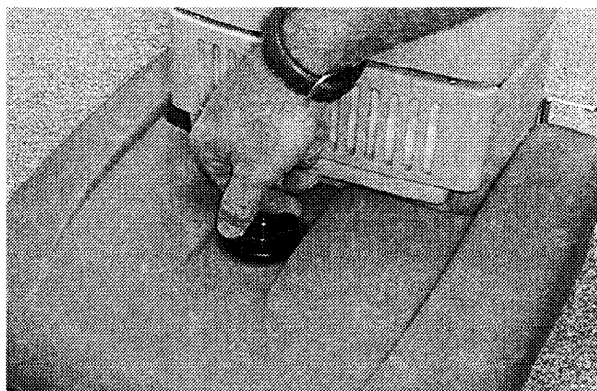


FIG. 22

3. Tirar de girar el gancho de desconexión rápida para extraer el cordón eléctrico (Figura 23).

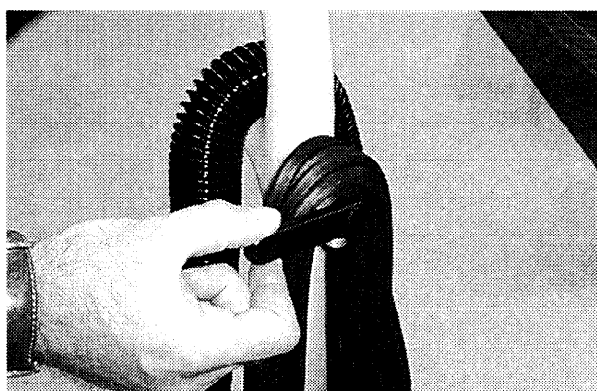


FIG. 23

4. Enchufar el cordón eléctrico a un tomacorriente de pared conectado a tierra (Figura 24).

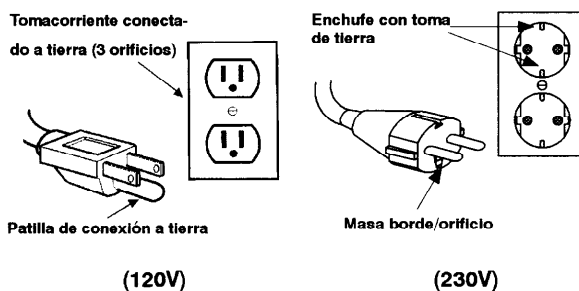


FIG. 24

**PARA SEGURIDAD:** no operar la máquina a menos que el cordón esté apropiadamente conectado a tierra .

**PARA SEGURIDAD:** no operar la máquina con el uso de un alargador de cordón.

## OPERACIÓN DE LA MAQUINA

**PARA SEGURIDAD: no operar la máquina a menos que se haya leído y entendido el manual del operador .**

1. Activar el interruptor de ENCENDIDO/APAGADO.

**⚠ ADVERTENCIA: los materiales Inflamables pueden causar una explosión o fuego. No ASPIRAR.**

2. Bajar el mango a la posición de operación parándose sobre el pestillo de desconexión del mango (Figura 25).

**NOTA: el motor del cepillo no arranca hasta que se baje el mango.**

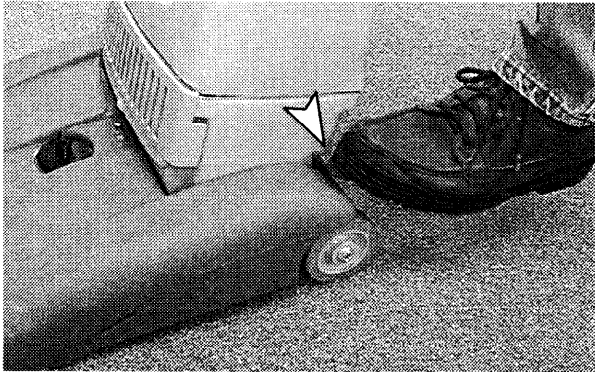


FIG. 25

3. Comenzar a limpiar el suelo con la aspiradora. Operar la máquina con un movimiento de un lado a otro o un recorrido en "W" . Para parar, pararse nuevamente sobre el pestillo de desconexión del mango
4. Para operar en la posición horizontal, bajar el mango a la posición de parada inferior y pisar nuevamente el pestillo de desconexión (Figura 26).

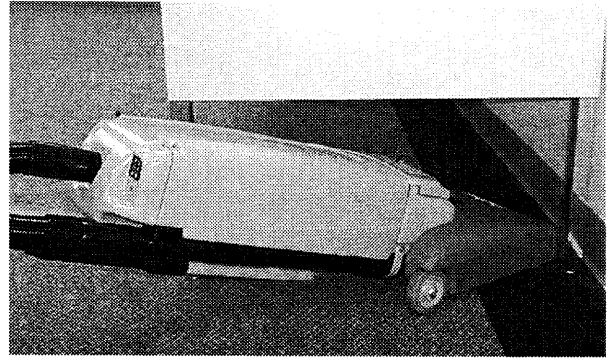
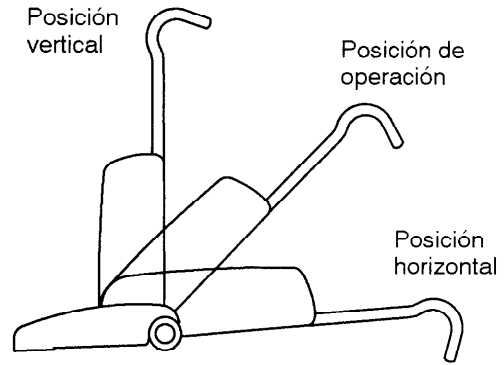


FIG. 26

5. Para dejar de limpiar con aspiradora, levantar el mango a la vertical a apagar el interruptor eléctrico

## Sistema del Sensor Electrónico

El Sistema del Sensor Electrónico de la máquina supervisa la condición de la máquina mientras está operando. La luz del sensor, ubicado en la tapa del compartimento de la bolsa (Figura 27), indica las condiciones siguientes:

**Luz Verde** = Máquina que funciona apropiadamente.

**Luz Anaranjada centelleante** = Bolsa Llena o área de obstrucción. Reemplazar la bolsa o quitar el área de obstrucción en la manguera del vacío.

**Luz Roja centelleante** = Obstrucción del Cepillo o Altura del Cepillo demasiado baja (carga excesiva de amperios). Quitar la obstrucción del cepillo o reajustar la altura del cepillo.

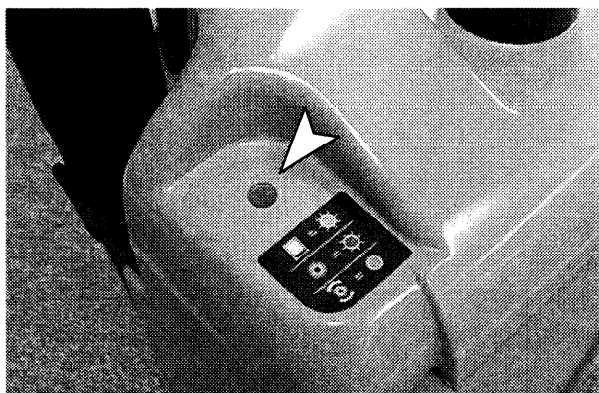


FIG. 27

Para restablecer el sistema del sensor, apagar el interruptor eléctrico y encender nuevamente.

**NOTA:** El motor del vacío también está protegido por un sensor de carga térmica interior excesiva. Si la temperatura de motor se eleva demasiado, el sensor térmico apaga el motor. El sensor se restablece automáticamente cuando el motor se enfría.

## Funcionamiento de la Vara

La máquina está provista con una vara " lista para usar" y una herramienta para hendiduras.

Consultar con el distribuidor local para el Juego de Herramienta Opcional No. 604802 El equipo incluye: Herramienta de Tapicería y el Cepillo para Polvo.

1. Máquina en posición vertical. Cuando está en posición vertical, se corta automáticamente la electricidad al motor de vacío

**ATENCIÓN:** Al usar la vara, mantener la máquina vertical para prevenir daños posibles a la alfombra.

2. Separar la vara de la grapa del retenedor y fijar la herramienta de hendiduras ubicada en el mango para transportar (Figura 28).

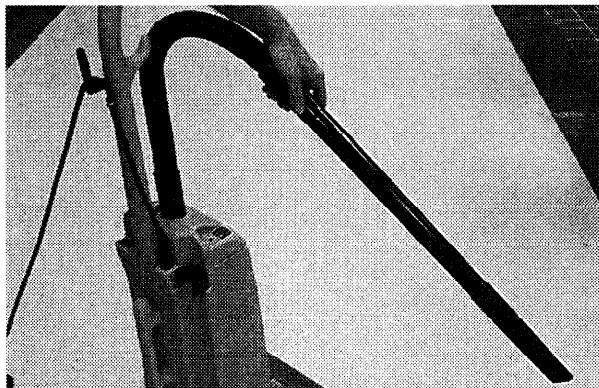


FIG. 28

3. Activar el interruptor de ENCENDIDO/APAGADO.

**⚠ ADVERTENCIA:** los materiales Inflamables pueden causar una explosión o fuego. No aspirar.

La manguera de la vara se extiende a 2.4 m (8 pies) de alcance (Figura 29)



FIG. 29

## MANTENIMIENTO DE LA MAQUINA

Para guardar la máquina en un buen estado de funcionamiento buena, simplemente seguir los procedimientos diarios, semanales y trimestrales de mantenimiento.

**PARA SEGURIDAD:** Al reparar la máquina, desenchufar el cordón del tomacorriente de la pared.

## MANTENIMIENTO DIARIO (Cada 4 horas de uso)

1. Reemplazar la bolsa del filtro. No volver a usar las bolsas de papel. Vaciar e inspeccionar la bolsa opcional de tela por daños.
2. Quitar los desechos enredados en el cepillo.
3. Inspeccionar la manguera de vacío por daños y obstrucciones por desechos.
4. Inspeccionar el cordón de electricidad y el amortiguador de esfuerzos, por daños. Reemplazar si fuera necesario.
5. Enrollar el cordón de electricidad alrededor de los ganchos del cordón en lugar de flojamente sobre el mango.
6. Limpiar el armazón de la máquina con un limpiador de uso múltiple y un trapo húmedo.

## MANTENIMIENTO SEMANAL (Cada 20 Horas de Uso)

1. Quitar el filtro secundario y golpear suavemente o soplar el polvo acumulado, el filtro está ubicado debajo de la bolsa del filtro. No limpiar con agua. Reemplazar el filtro si fuera necesario (Figura 30).

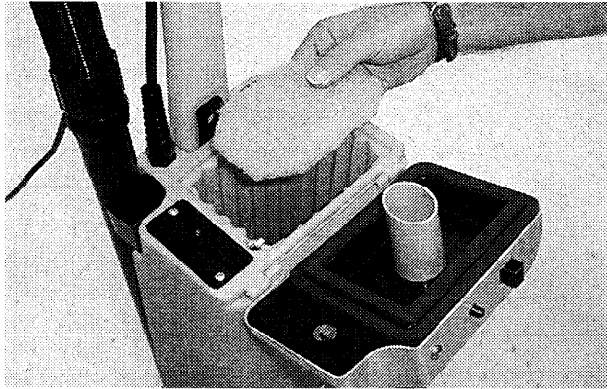


FIG. 30

2. Quitar la tapa de la descarga e inspeccionar el filtro de descarga (Figura 31). Reemplazar el filtro si fuera necesario.

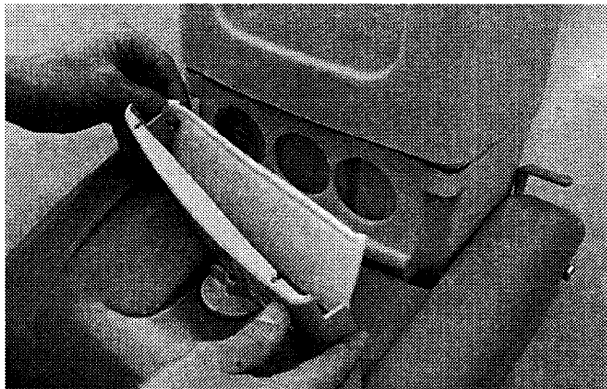


FIG. 31

3. Inspeccionar las cerdas del cepillo para el uso. Si las cerdas están gastadas a 14 mm (0.56 en) o menos en longitud, ver Mantenimiento del Cepillo.

## MANTENIMIENTO TRIMESTRAL (Cada 250 Horas de Uso)

Inspeccionar los motores por desgaste de las escobillas de carbón. Reemplazar las escobillas cuando tengan 10 mm (0.38 pulg.) o menos de longitud. Consultar con el Centro de Servicio para la inspección de las escobillas de carbón.

**⚠ ADVERTENCIA: Voltaje Riesgoso. Choque o electrocución pueden resultar. Desenchufar la máquina antes de reparar.**

## MANTENIMIENTO DEL CEPILLO

Si las cerdas del cepillo se han gastado a 14 mm (0.56 pulg.) o menos, rodar los bloques para prolongar la vida del cepillo como sigue:

**⚠ ADVERTENCIA: Voltaje Riesgoso. Choque o electrocución pueden resultar. Desenchufar la máquina antes de reparar.**

1. Quite la zapata de metal del cepillo de la base del cepillo. (se requiere un destornillador Philips.)
2. Quitar el conjunto del cepillo. Sujetar el cepillo del lado opuesto de la correa y tirar hacia afuera.
3. Inspeccionar la correa(s) por desgaste; reemplazar si fuera necesario.
4. Girar ambos bloques de rodamientos 180 grados y reinstalar el cepillo (Figura 32).

**NOTA:** Los bloques de los rodamientos del cepillo están rotulados con números. Colocar en posición el rótulo "2" hacia afuera para reinstalar el cepillo (Figura 32), para prolongar la vida del cepillo.

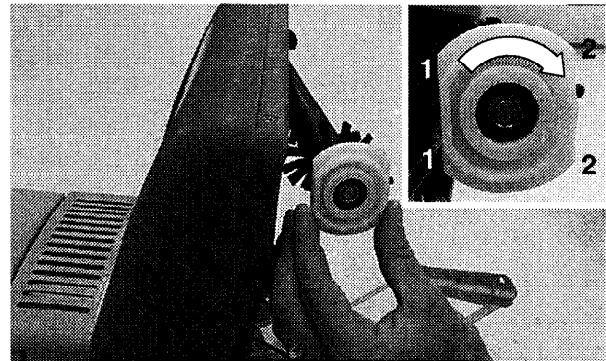


FIG. 32

5. Después que el cepillo se ha instalado correctamente, volver a colocar la zapata de metal del cepillo.

### AJUSTE DEL PESTILLO DE PIE

Si la máquina no se bloquea en la posición vertical y/o el motor de vacío continúa funcionando, se requiere ajustar el pestillo de pie.

**⚠ ADVERTENCIA: Voltaje Riesgoso. Choque o electrocución pueden resultar. Desenchufar la máquina antes de reparar**

1. Colocar la aspiradora con el frente hacia abajo.
2. Aflojar el tornillo del pestillo de pie, se requiere una llave de 10 mm (Figure 33).
3. Girar el cojinete de ajuste para realinear el pestillo de pie, se requiere una llave de 16 mm. El cojinete tiene un orificio fuera del centro para permitir el ajuste del pestillo de pie.

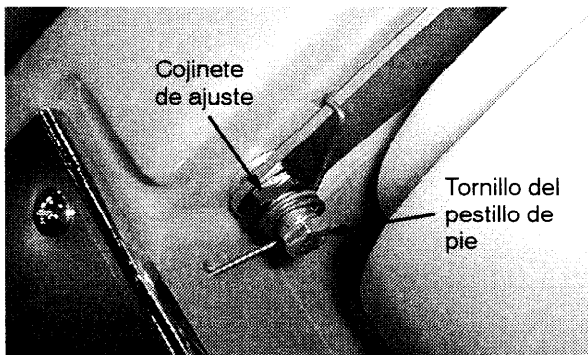


FIG. 33

4. Reajustar el tornillo del pestillo de pie.

### ALMACENAMIENTO DE LA MAQUINA

Almacenar la máquina en un área seca en posición vertical.

**ATENCIÓN: Año exponer a la lluvia. Almacenar bajo techo.**

### ARTICULOS RECOMENDADOS PARA MANTENER EN EXISTENCIA

Para los artículos recomendados a mantener en existencia referirse a la sección de Lista de Piezas. Los artículos a mantener en existencia están claramente identificados con una bala precediendo a la descripción de los artículos. Ver el ejemplo de abajo:

Ref.	Part No.	Description	Qty.
1	701100	AGM., STANDPIPE	1
2	180613	● FLOAT, SHUTOFF	1
3	230187	NIPPLE	1
4	101714	● GASKET	1
5	210240	NUT, FLANGED	1

FIG. 34

### LOCALIZACION DE FALLAS

PROBLEMA	CAUSA	SOLUCION
La máquina no funciona.	La bolsa de filtro no está instalada.	Instalar la bolsa de filtro.
	Cordón eléctrico defectuoso.	Consultar con el Centro de Servicio.
	Interruptor de Encendido/Apagado defectuoso.	Consultar con el Centro de Servicio.
	Faulty electronic sensor system.	Consultar con el Centro de Servicio.
	Cableado flojo.	Consultar con el Centro de Servicio.
El motor de vacío no funciona.	Activado el interruptor de circuitos del edificio.	Restablecer el interruptor de circuitos.
	El sensor interno de carga térmica excesiva se ha activado en el motor de vacío.	Quitar la obstrucción de aire. Permitir que el motor se enfríe por 20 minutos.
	Sistema electrónico de sensor defectuoso.	Consultar con el Centro de Servicio.
	Escobillas de carbón gastadas en el motor de vacío.	Consultar con el Centro de Servicio.
	Motor de vacío defectuoso.	Consultar con el Centro de Servicio.

# OPERACIÓN

## LOCALIZACION DE FALLAS - Continuado

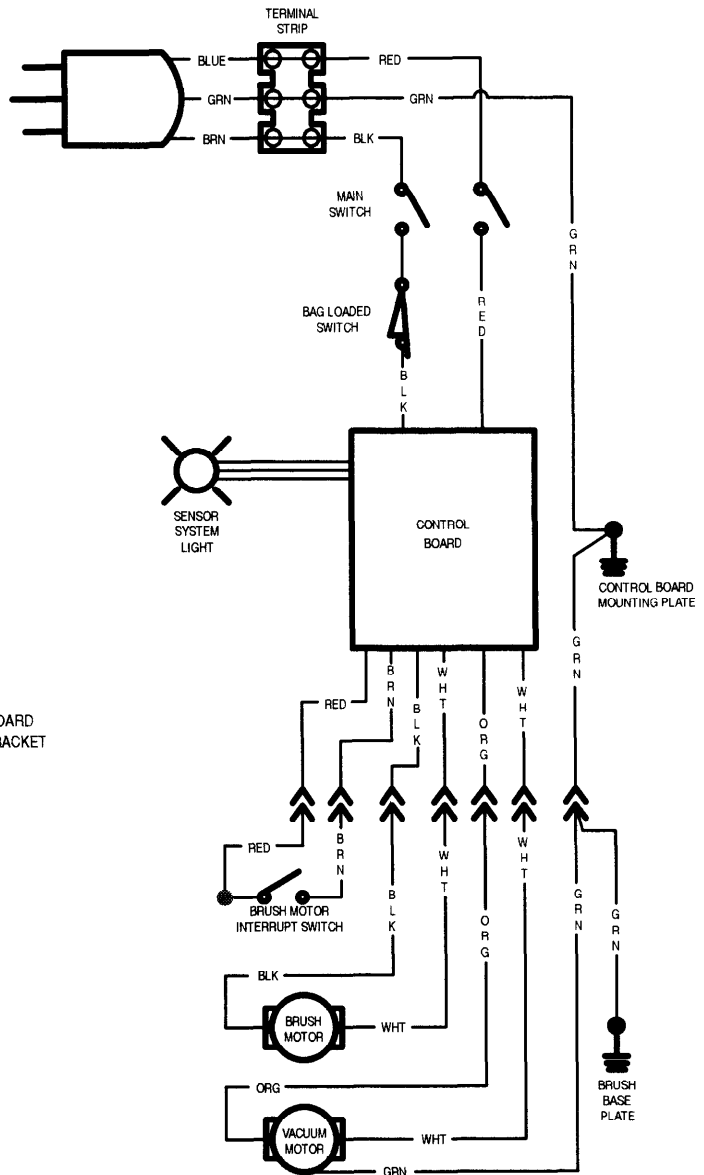
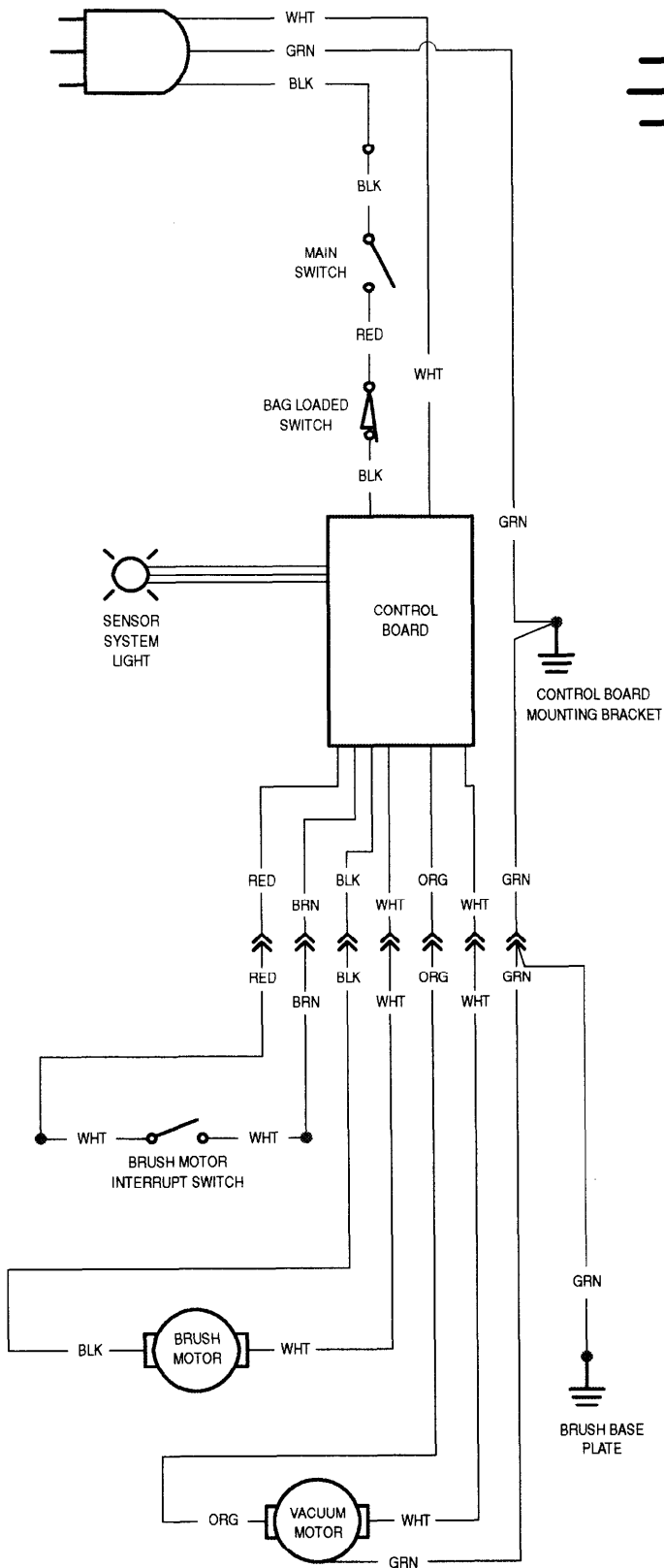
PROBLEMA	CAUSA	SOLUCION
El cepillo no funciona.	Activado el sistema electrónico del sensor (luz roja centelleante).	Apagar la máquina. Inspeccionar el cepillo por obstrucciones o reajustar la altura del cepillo.
	Correa(s) del cepillo floja(s) o rota(s).	Reemplazar la correa(s).
	Motor del cepillo defectuoso.	Consultar con el Centro de Servicio.
	Sistema electrónico del sensor defectuoso.	Consultar con el Centro de Servicio.
Mala aspiración.	Bolsa llena (luz anaranjada centelleante).	Reemplazar la bolsa.
	Conexiones flojas de la manguera de vacío.	Ajustar las conexiones de la manguera.
	Manguera de vacío defectuosa.	Reemplazar la manguera.
	Filtro secundario taponado.	Limpiar o reemplazar el filtro secundario.
	La tapa del compartimiento de la bolsa no está bien ajustada.	Cerrar la tapa.
Mala aspiración del cepillo.	Altura inadecuada del cepillo.	Ajustar la altura del cepillo.
	Desechos enredados en el cepillo.	Quitar el material obstructor.
	Cerdas o rodamientos gastados.	Ver MANTENIMIENTO DEL CEPILLO.
	Correa(s) propulsora(s) flojas.	Inspeccionar la correa(s), reemplazar si fuera necesario.

## ESPECIFICACIONES

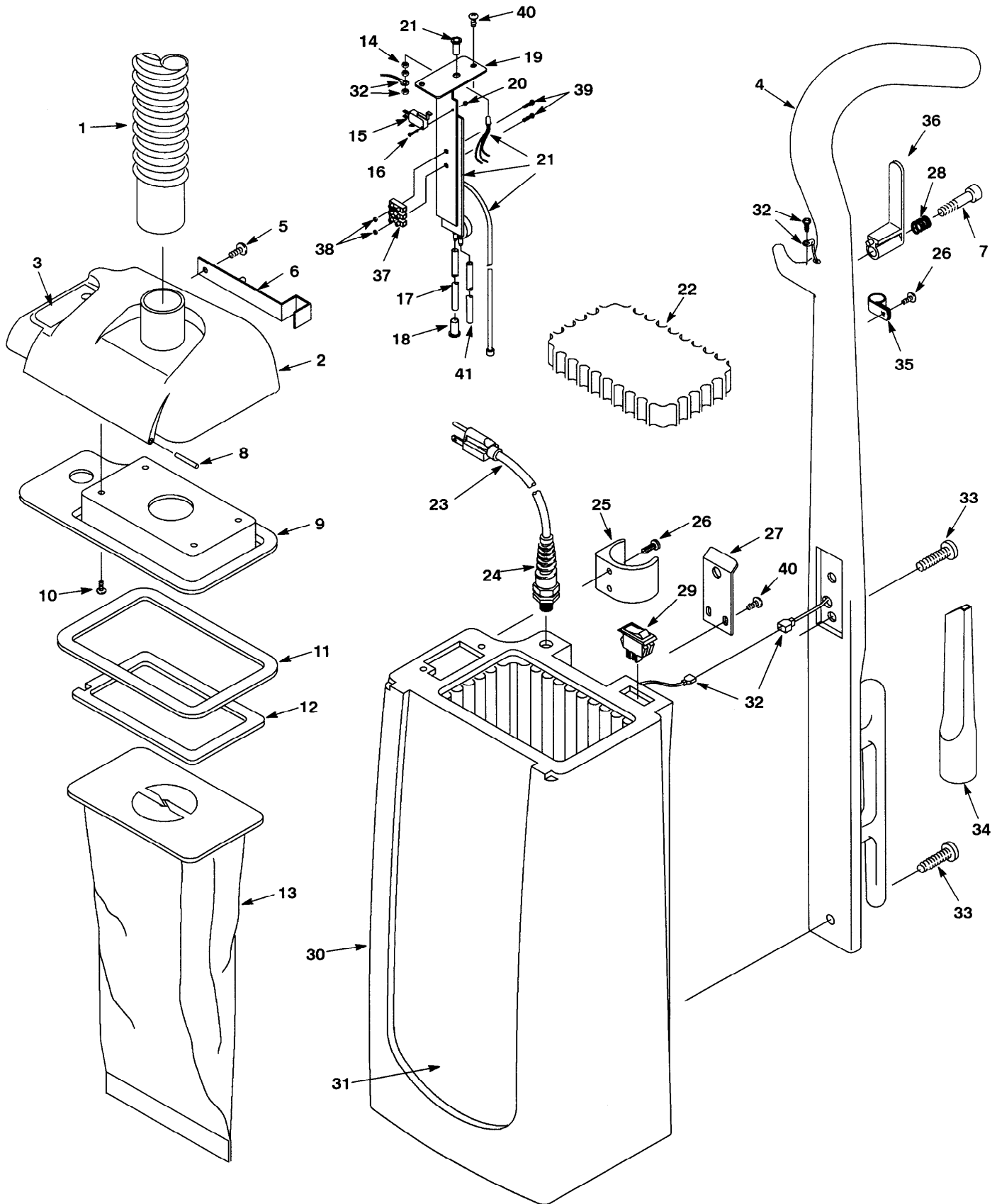
MODELO	120V	230V
LARGO	368 mm (14.5 pulg.)	368 mm (14.5 pulg.)
ANCHO	356 mm (14.0 pulg.)	356 mm (14.0 pulg.)
ALTO	1194 mm (47.0 pulg.)	1194 mm (47.0 pulg.)
PESO	9.5 Kg (21 lbs) sin cordón eléctrico	9.5 Kg (21 lbs) sin cordón eléctrico
MOTOR DEL CEPILLO	120V, 0.1hp, 1A, 3600 rpm	230V, 0.12hp, 1A, 3600 rpm
MOTOR DE VACIO	120V, 1.3 hp, 8 A, 960 vatios	230V, 1.3 hp, 4 A, 960 vatios
LARGO DEL CORDON ELECTRICO	12 m (40 pies)	12 m (40 pies)
ANCHO DE BARRIDO	356 mm (14 pulg.) incluye limpieza del borde	356 mm (14 pulg.) incluye limpieza del borde
CAPACIDAD DE LA BOLSA DE VACIO	5 L (5.2 quart.)	5 L (5.2 quart.)
SISTEMA DE FILTRACION	Filtración triple: Bolsa de filtro, filtro secundario y filtro de descarga. Alta eficiencia (99.9%) a un 0.1 micrón	Filtración triple: Bolsa de filtro, filtro secundario y filtro de descarga. Alta eficiencia (99.9%) a un 0.1 micrón
CLASIFICACION DE DECIBELES EN EL OIDO DEL OPERADOR, INTERIOR SOBRE ALFOMBRA	69.5 dB(A)	69.5 dB(A)

120V

230V/240V



BAG HOUSING GROUP  
GRUPO DEL ARMAZON DE LA BOLSA



**BAG HOUSING GROUP**  
**GRUPO DEL ARMAZON DE LA BOLSA**

REF	PART #	DESCRIPTION	QTY.
1	605011	●ASM., VAC HOSE WAND	1
2	608678	LID, BAG HOUSING, GREEN	1
3	605998	DECAL, INDICATOR LIGHT	1
4	609417	HANDLE, GREEN	1
5	604930	SCREW, M5X.8X10	1
6	605016	LATCH, LID	1
7	200017494	SCREW, M8X30	1
8	603114	DOWEL, 1/8 DIA X 1-1/4"	2
9	604836	PLATE, BOTTOM LID	1
10	140825	SCREW, #6X1/2	4
11	604834	●GASKET, LID OUTER	1
12	604833	●GASKET, LID INNER	1
13	604838	●BAG, PAPER (100 CASE)	1
14	140297	NUT, M5X.8 HEXLOCK	2
15	604839	●SWITCH, SNAP ACTION ON/OFF	1
16	200070266	SCREW, M3X.5X16	2
17	606357	HOSE, 1/8ID X 1/4OD, 18"	1
18	605984	BUSHING, BAG-FULL-HOSE	1
19	604835	BRACKET, SWITCH/LIGHT	1
20	579211	NUT, M3X.5 HEX	2
21	605994	●CONTROL BOARD (120 VOLT)	1
	605995	●CONTROL BOARD (230V/240V)	1
22	604832	●FILTER, VAC MOTOR (SECONDARY)	1
23	604842	●CORD, 18/3 X 40' GRAY (120 VOLT)	1
	600398	●CORD, 3 X 1 x 12M (230V/240V)	1
24	130166	●CORD GRIP, NYLON/BLK W/NUT	1

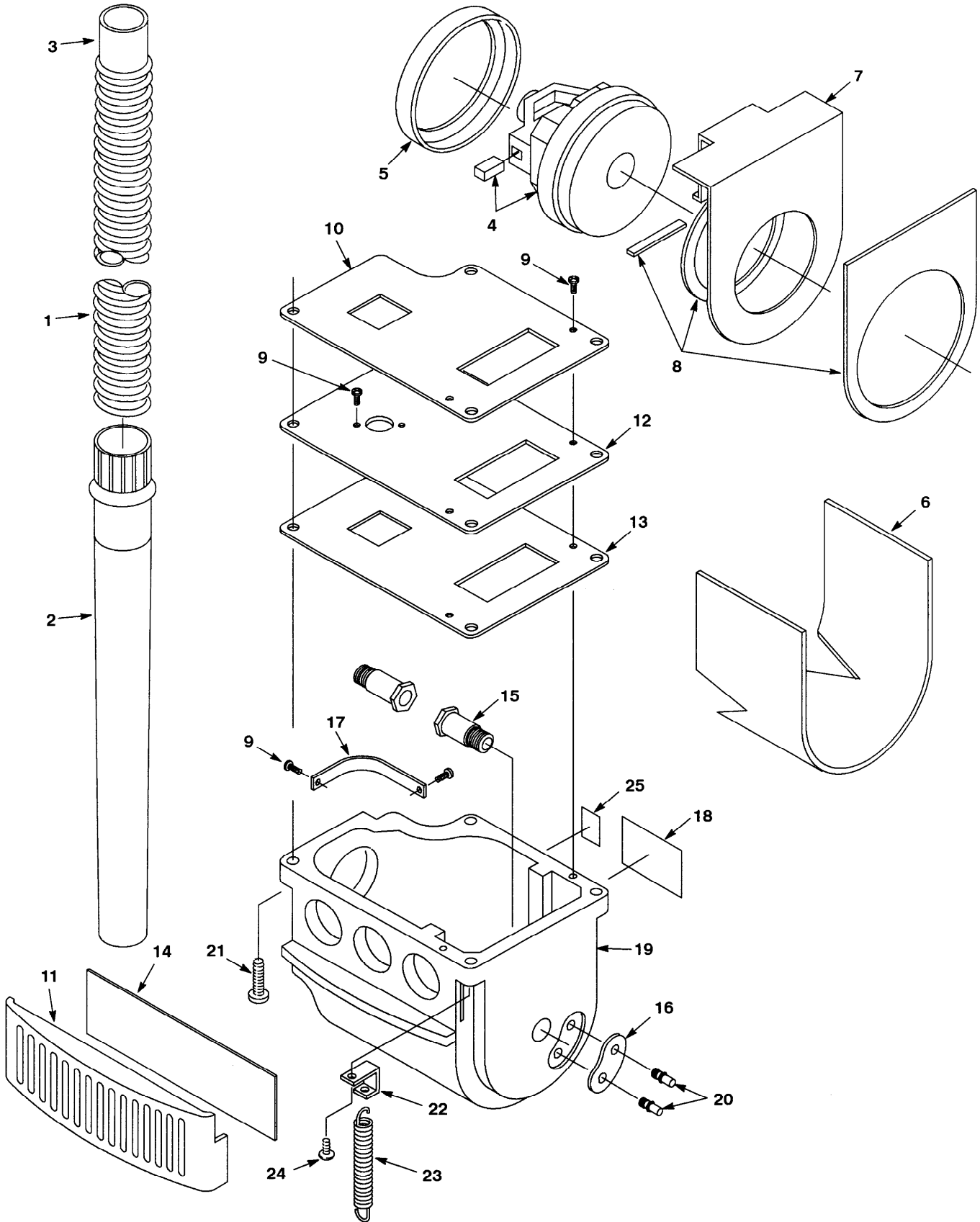
REF	PART #	DESCRIPTION	QTY.
25	604847	●CLIP, WAND	1
26	607006	SCREW, M4X.7X12	3
27	604844	STRIKE, LID LATCH	1
28	611311	●SPRING, COMPRESSION	1
29	039708037	●SWITCH, ROCKER ON/OFF (120 VOLT)	1
	602669	●SWITCH, ROCKER ON/OFF (230V/240V)	1
30	609415	HOUSING, BAG, GREEN	1
31	605013	DECAL, VIPER LOGO	1
∇32	607286	KIT, ANTI-STATIC WIRING	1
▲	130130	TERMINAL, RING #10	1
▲	140297	NUT, M5X.8 HEX SS	1
▲	607284	ASM., WIRE #18X18GRN 1/4F	1
▲	130133	TERMINAL, 1/4M	1
▲	607285	ASM., WIRE #18X18GRN #6 RING	1
▲	140825	SCREW, #6X1/2	1
33	605557	SCREW, M6X1X30	2
34	604804	●TOOL, CREVICE 35MM (1.38")	1
35	140324	●CLAMP, CORD	1
36	610906	●HOOK, CORD QUICK-RELEASE	1
37	130005	STRIP, TERMINAL 25 AMP (230V/240V ONLY)	1
38	140534	NUT, 6-32 (230V/240V ONLY)	2
39	140879	SCREW, 6-32X3/4 (230V/240V ONLY)	2
40	606694	SCREW, M4X.7X8	4
41	608917	HOSE, 1/8ID X 1/4OD, 18" RED	1

∇ ASSEMBLY / CONJUNTO

▲ INCLUDED IN ASSEMBLY / INCLUIDO EN EL CONJUNTO

● RECOMMENDED STOCK ITEMS / ARTICULOS RECOMENDADOS

VACUUM MOTOR HOUSING GROUP  
GRUPO DEL ARMAZON DEL MOTOR DE VACIO



VACUUM MOTOR HOUSING GROUP  
GRUPO DEL ARMAZON DEL MOTOR DE VACIO

REF	PART #	DESCRIPTION	QTY.
▽	605011	●ASM., VAC HOSE WAND	1
▲1	604840	HOSE, VAC WAND 1-1/4 ID	1
▲2	604841	WAND, 35MM ID X 19 LG SWIVEL	1
▲3	604929	CUFF, 1-1/4"	1
4	604815	●MOTOR, VAC 5.1" 120V	1
	605996	●MOTOR, VAC 5.1" 230V/240V	1
	606382	●CARBON BRUSH 120V (2 pack)	2
	606417	●CARBON BRUSH 230V/240V (2 pack)	2
5	604816	GASKET, VAC MOTOR	1
6	604822	FOAM, NOISE 1/4X14-1/4X5	1
7	604826	INLET PLATE, VAC MOTOR	1
8	605080	GASKET, INLET PLATE	1
9	607006	SCREW, M4X.7X12	6
10	606732	GASKET, UPPER CLAMP PLATE	1
11	608679	COVER, EXHAUST FILTER, GREEN	1

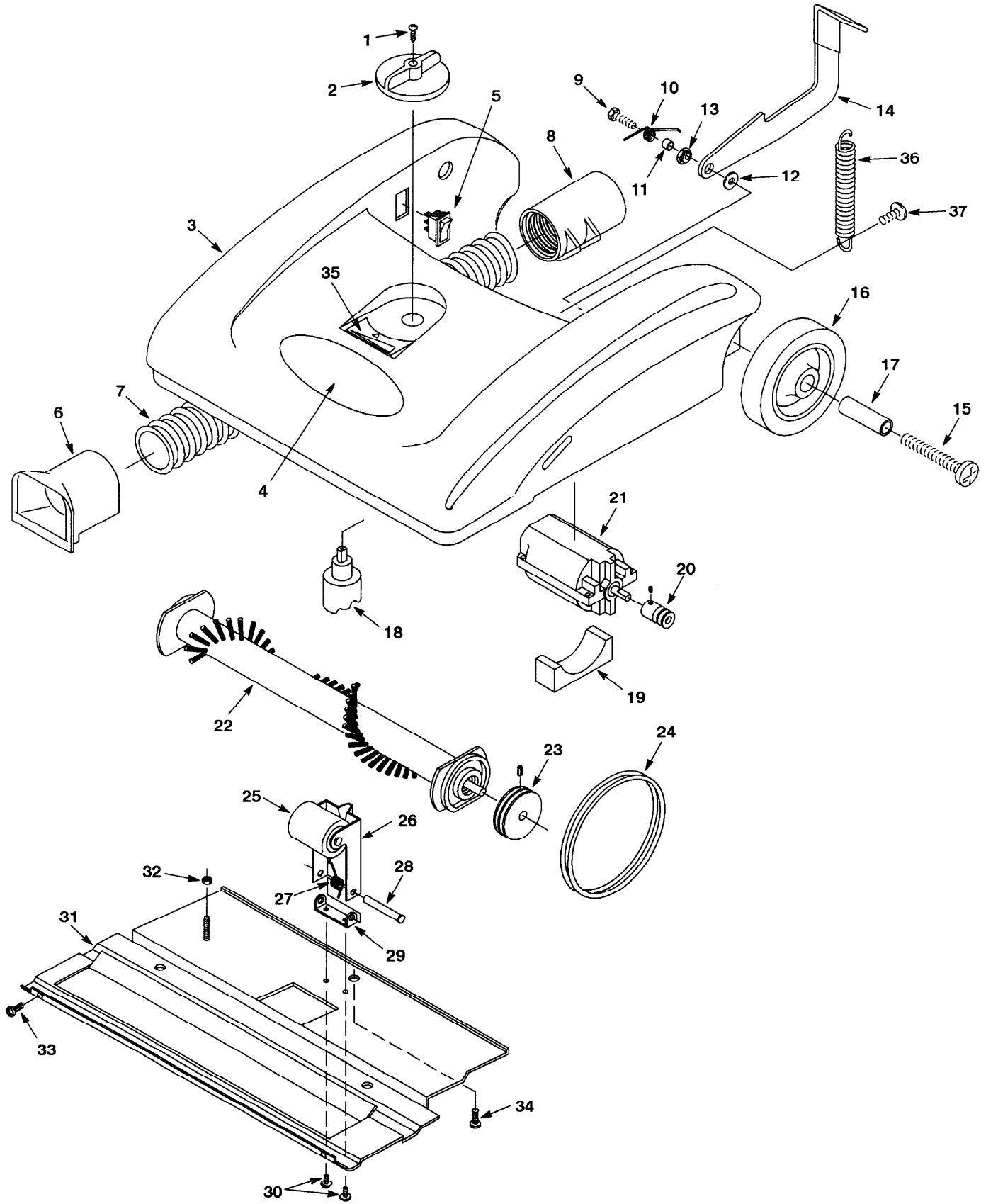
REF	PART #	DESCRIPTION	QTY.
12	606730	CLAMP PLATE, VAC MOTOR	1
13	606731	GASKET, LOWER CLAMP PLATE	1
14	606982	●FILTER, EXHAUST (3 PACK)	1
15	604813	SCREW, SHOULDER PIVOT	2
16	606723	PLATE, FOOT LATCH	1
17	604830	STRAP, WAND CUFF	1
18	602595	DECAL, WARNING VACUUM CSA	1
19	609413	HOUSING, VACUUM MOTOR, GREEN	1
20	604827	STUD, FOOT-LATCH	2
21	605557	SCREW, M6X1.0X30	4
22	608196	MOUNT, SPRING VAC HSG	1
23	608071	SPRING, EXT .50X5.00X.067	1
24	606507	SCREW, M8X1.25X25	1
25	NA	DECAL, CRI LABEL	1
N/S	605981	HARNESS, LOWER WIRE	1

▽ ASSEMBLY / CONJUNTO

▲ INCLUDED IN ASSEMBLY / INCLUIDO EN EL CONJUNTO

● RECOMMENDED STOCK ITEMS / ARTICULOS RECOMENDADOS

BRUSH BASE GROUP  
GRUPO DE LA BASE DEL CEPILLO



**BRUSH BASE GROUP**  
**GRUPO DE LA BASE DEL CEPILLO**

REF	PART #	DESCRIPTION	QTY.
1	140825	SCREW, #6X1/2	1
2	604811	KNOB, HT. ADJUSTMENT	1
3	608670	BASE, GREEN	1
4	608189	DECAL, "NOBLES"	1
5	039708037	●SWITCH, ON/OFF ROCKER	1
∇	605010	●ASM., VAC HOSE	1
▲6	604805	CUFF, BASE INLET	1
▲7	604806	HOSE FLEX 1-1/4 ID	1
▲8	604829	CUFF, WAND	1
9	610905	SCREW, M6X1.0X25	1
10	610861	SPRING, TORSION FOOT-LATCH	1
11	140154	SPACER, .25X.38X.31	1
12	579210	WASHER, 6.4X18.0X1.5 FLAT	1
13	605078	BUSHING, FOOT-LATCH ADJUSTMENT	1
14	604808	LATCH, FOOT BASE	1
15	606983	SCREW, M8X1.25X40	2
∇16	630450	●WHEEL, 76 DIA X 22 WD RUBBER	2
▲17	103070	BUSHING, WHEEL	2
18	230754	●CAM, HEIGHT ADJUSTER	1
19	604812	GASKET, FOAM BRUSH MTR	1
20	230347	PULLEY, MOTOR (DOUBLE "V")	1

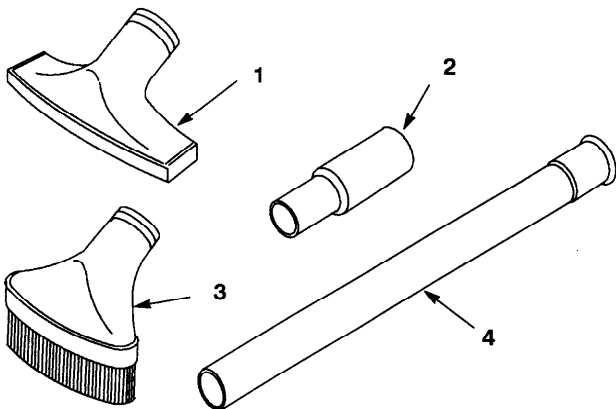
REF	PART #	DESCRIPTION	QTY.
21	130398	●MOTOR, BRUSH DRIVE 120 VOLT	1
	130399	●MOTOR, BRUSH DRIVE 230V/240V	1
22	604803	●BRUSH ASM.	1
23	230348	PULLEY, BRUSH (DOUBLE "V")	1
24	230349	●BELT, BRUSH DRIVE	2
∇	501086	●ASM., BASE ROLLER & BRACKET	1
▲25	26548	ROLLER, BASE HOUSING FRONT	1
▲26	230753	BRACKET, ROLLER	1
▲27	140436	SPRING, TORSION HT ADJUSTMENT	1
▲28	140710	RIVET, AXLE 3/8 X 1.6	2
▲29	230769	BRACKET, ROLLER PIVOT	1
30	140264	SCREW, 8-32X1/4	2
31	606733	SHOE, BASE 14"	1
32	140297	NUT, M5X.8 HEX	1
33	606694	SCREW, M4X.7X8	2
34	607006	SCREW, M4X.7X12	3
35	606691	DECAL, HEIGHT ADJUSTMENT	1
36	608071	SPRING, EXT .50X5.00X.067	1
37	606507	SCREW, M8X1.25X25	1

∇ ASSEMBLY / CONJUNTO

▲ INCLUDED IN ASSEMBLY / INCLUIDO EN EL CONJUNTO

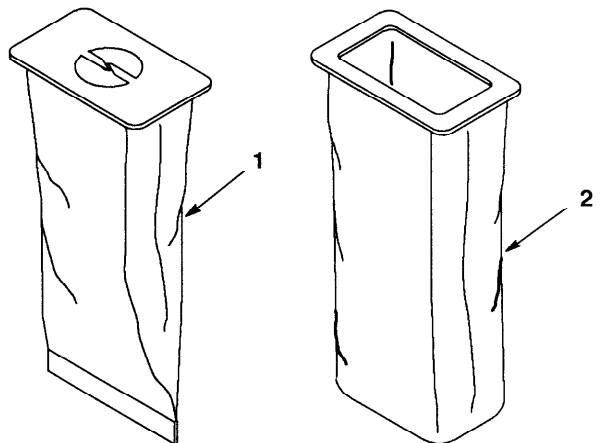
● RECOMMENDED STOCK ITEMS / ARTICULOS RECOMENDADOS

**OPTIONAL ATTACHMENT KIT**  
**JUEGO DE ADITAMENTOS OPCIONALES**



REF	PART #	DESCRIPTION	QTY.
∇	604802	●KIT, ATTACHMENT	1
▲1	609194	UPHOLSTERY TOOL	1
▲2	609196	ADAPTOR	1
▲3	609193	DUSTING BRUSH	1
▲4	609195	EXTENSION WAND	1

**REPLACEMENT BAGS**  
**BOLSAS DE REPUESTO**



REF	PART #	DESCRIPTION	QTY.
1	604838	●BAG, PAPER (CASE OF 100)	1
2	900034	●BAG, CLOTH	1