



Electronic Service Manuals

This electronic document is provided as a service to our customers. We do not create the contents of the information contained in this document. Should you have detailed questions pertaining to the information contained in this document, you may contact Michco, or the manufacturer which provided the original information in this electronic deliverable. Michco's only part in this electronic deliverable was the electronic assembly process. By providing this manual on line we are not guaranteeing parts availability.

You may contact Michco through the following methods:

Phone (517) 484-9312 or (800) 331-3339

2011 N. High St. -- Lansing, Michigan -- 48906

Fax: (517) 484-9836

Email: CustServe@Michco.com

Web site: www.Michco.Com

Parts Web site: www.FloorMachineParts.Com

Order Parts on Line at:

www.FloorMachineParts.Com

Directly to Parts & Service:

By Email: **Shop@Michco.com**

By Fax: (517) 702-2041

By Voice: Use numbers above.

Serving the Cleaning Industry Since 1922

Notice: All copyrighted material remains property of original owners, all trademarks are property of respective owners. Manuals are subject to Manufacturer's reproduction limitations. Originals or reproductions were provided by manufacturers through a request. We make no warranty as to the correctness of information provided in this document and you assume all risk. By placing these manuals on line we are not declaring our corporation to be an manufacturer authorized dealer or provider, please check our web site for authorized manufacturers we represent.



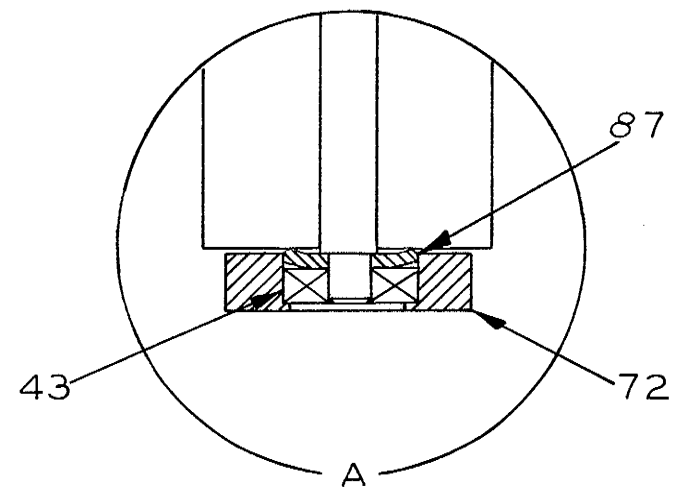
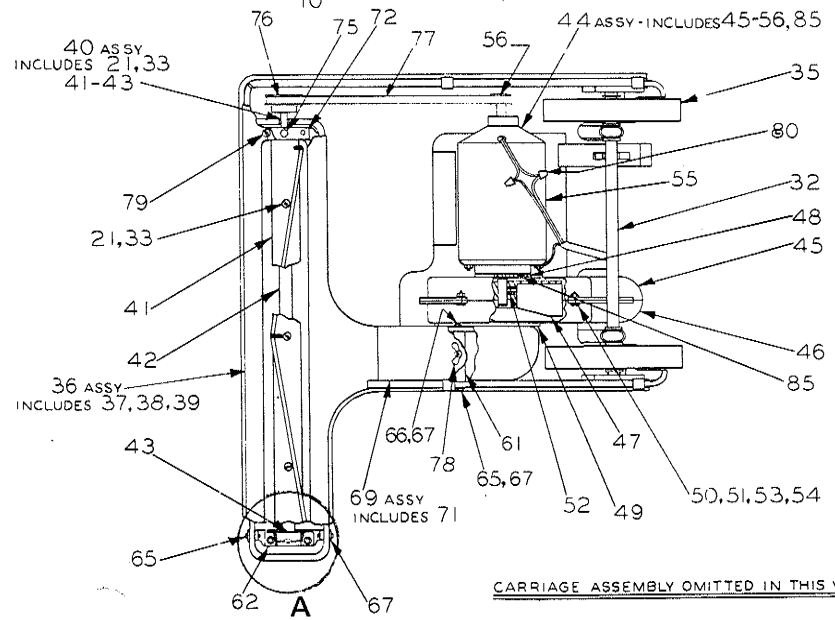
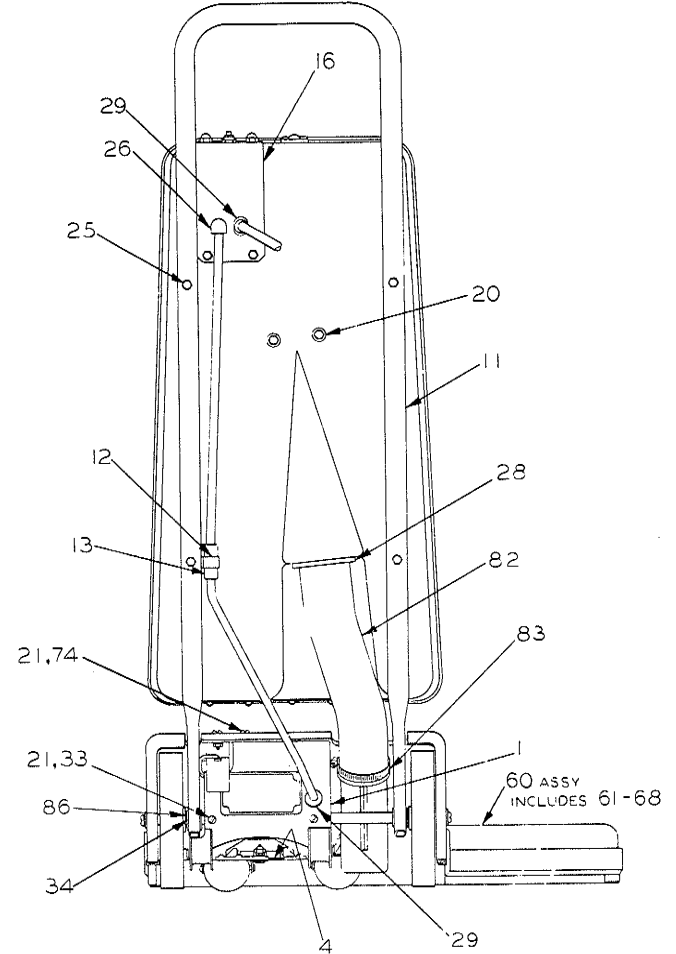
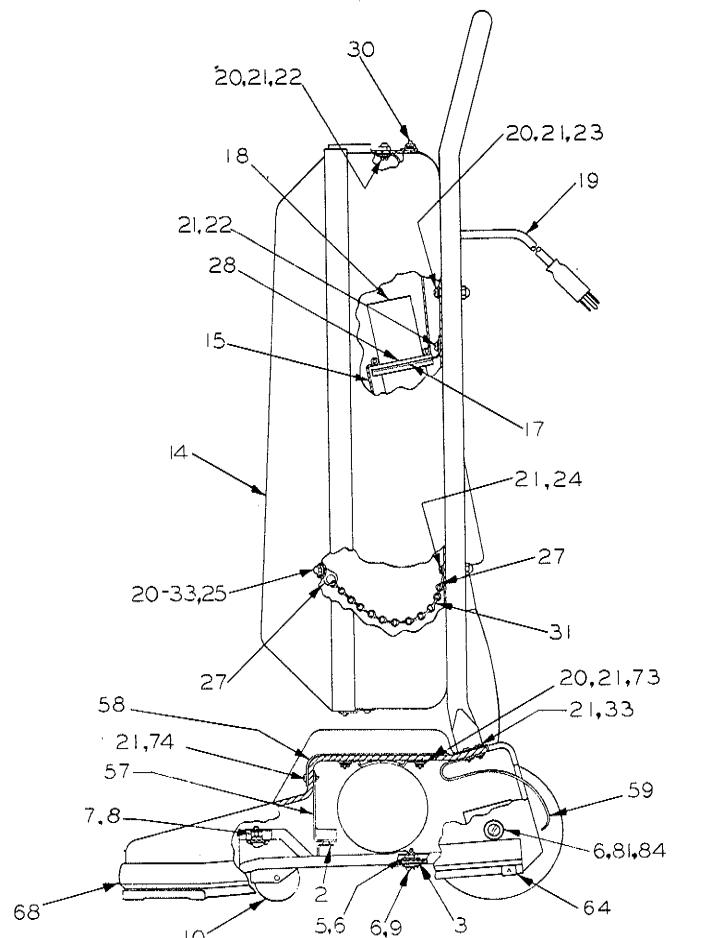
645 E. 7th ST., ST. PAUL, MINN. 55106 (612) 771-5581

TELEX NO. 29-7403

**PARTS BREAKDOWN
MODEL CV - 18
ASSY. NO. E21214
SERIAL NO. 1493 & UP**

FORM 382-1081M
REVISED OCTOBER 9, 1981
E.E.O. EMPLOYER M/F

Assy No.	Part No.	Per Assy	Description	Assy No.	Part No.	Per Assy	Description
1	C21191	1	Assy - Bottom Plate	44	D21202	1	Assy - Motor & Turbine (Includes 45-56, 85)
2	C23620	1	Plate, Adjustment	45	C21096	1	Turbine Half
3	A21124	1	Spacer	46	C21097	1	Turbine Half
4	A21208	1	Decal	47	B21098	1	Fan
5	K4948	1	Nut, Flex-Loc	48	A21105	1	Gasket, Motor
6	K6306-4	4	Washer, Flat	49	A21108	1	Gasket, Turbine
7	K14881-5	2	Lockwasher	50	K2871-06	10	Flat Washer
8	K15741	2	Nut, Hex	51	K2964-06	5	Lockwasher
9	K15860-12	1	Screw, Pan Hd.	52	K3049-6	2	Screw, Set
10	K21176	2	Caster	53	K3069	5	Nut, Hex
11	D21185	1	Assy - Handle	54	K12716-8	5	Screw, Pan Hd.
12	A12493	1	Clamp, Cord	55	K21177	1	Motor, 1/2 H.P.
13	A12712	1	Tubing, Vinyl	56	K21179	1	Pulley, Motor
14	D21095	1	Case, Vacuum	57	B23619	1	Assy - Adjustment Bracket & Weld Nuts
15	C21101	1	Bag	58	C21988	1	Assy - Plate & Weld Screws
16	C21113	1	Plate, Switch	59	B22371	1	Assy - Spring & Weld Nuts
17	B21114	1	Bracket, Intake	60	C21993	1	Assy - Base & Bumper (Includes 61-68)
18	C21116	1	Tube, Intake	61	A23060	1	Assy - Bracket & Weld Screw
19	B21200	1	Cord, Power	62	B22380	2	Assy - Brush Bracket & Weld Nuts
20	K2871-10	14	Washer, Flat	64	A21211	4	Clip, Bumper
21	K2964-10	29	Lockwasher	65	K22335	10	Pop Rivets
22	K4770-6	6	Screw, Pan Hd.	66	K22358	2	Pop Rivets
23	K4770-20	3	Screw, Pan Hd.	67	A22366	6	Bearing Plate
24	K5025-22	1	Screw, Rd. Hd.	68	C22383	1	Bumper
25	K6012	11	Nut, Cap	69	B22373	1	Assy - Cover & Gasket (Includes 71)
26	K12713	1	Strain Reliever	71	B22903	1	Gasket, Cover (Not Shown)
27	K16852	2	Tab	72	B23617	2	Block, Bearing
28	K21168	2	Grommet	73	K10652	4	Nut, Hex
29	K21184	2	Strain Reliever	74	K4477-10	4	Screw, Pan Hd.
30	K21198	1	Switch, Circuit Breaker	75	K12583	2	Plug, Bearing
31	K22437	1	Chain	76	K21178	1	Pulley, Brush
32	C21107	1	Axle	77	K21180	1	Belt, Timing
33	K4770-8	11	Screw, Pan Hd.	78	K22375	1	Wing Nut
34	K15996	6	E-Ring	79	K22381-32	4	Screw, Flat Head
35	K21169	2	Wheel	80	K3088	2	Nut, Wire
36	C21195	1	Assy-Shoe & Gaskets (Includes 37)	81	K15860-16	2	Screw, Pan Hd.
37	B22903	1	Gasket Cover (Not Shown)	82	K21203-13	1	Hose, Vac
40	C23624	1	Assy - Brush & Shaft (Includes 41, 42, 43, 21, 33, 87)	83	K21205	1	Clamp, Hose
41	C21196	1	Assy-Brush Replacement Kit	84	K2964-14	2	Lockwasher
42	C21109	1	Shaft, Brush	85	K12512-8	4	Screw, Flat HD.
43	K12461	2	Bearing	86	K4252	2	Wave Washer
				87	K23616	2	Slinger



CARRIAGE ASSEMBLY OMITTED IN THIS VIEW