



## Electronic Service Manuals

This electronic document is provided as a service to our customers. We do not create the contents of the information contained in this document. Should you have detailed questions pertaining to the information contained in this document, you may contact Michco, or the manufacturer which provided the original information in this electronic deliverable. Michco's only part in this electronic deliverable was the electronic assembly process. By providing this manual on line we are not guaranteeing parts availability.

You may contact Michco through the following methods:

Phone (517) 484-9312 or (800) 331-3339

2011 N. High St. -- Lansing, Michigan -- 48906

Fax: (517) 484-9836

Email: [CustServe@Michco.com](mailto:CustServe@Michco.com)

Web site: [www.Michco.Com](http://www.Michco.Com)

Parts Web site: [www.FloorMachineParts.Com](http://www.FloorMachineParts.Com)

Order Parts on Line at:

**[www.FloorMachineParts.Com](http://www.FloorMachineParts.Com)**

Directly to Parts & Service:

By Email: **[Shop@Michco.com](mailto:Shop@Michco.com)**

By Fax: (517) 702-2041

By Voice: Use numbers above.

**Serving the Cleaning Industry Since 1922**

Notice: All copyrighted material remains property of original owners, all trademarks are property of respective owners. Manuals are subject to Manufacturer's reproduction limitations. Originals or reproductions were provided by manufacturers through a request. We make no warranty as to the correctness of information provided in this document and you assume all risk. By placing these manuals on line we are not declaring our corporation to be an manufacturer authorized dealer or provider, please check our web site for authorized manufacturers we represent.

# NOBLES

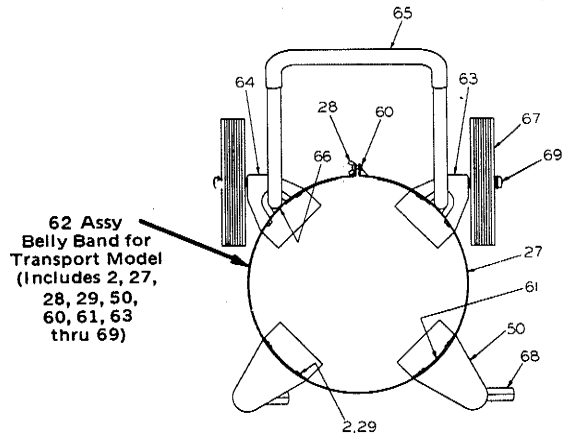
INDUSTRIES, INC.

645 E. 7th ST., ST. PAUL, MINN. 55106  
 TELEPHONE (612) 771-5581  
 TELEX NO. 29-7403

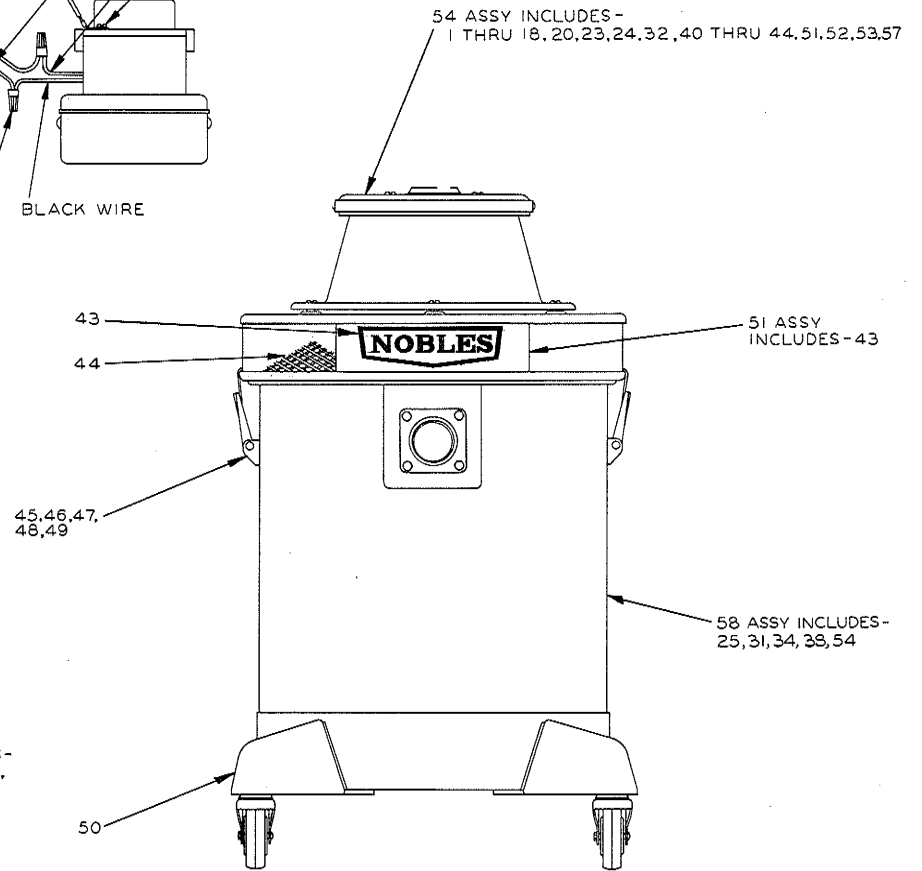
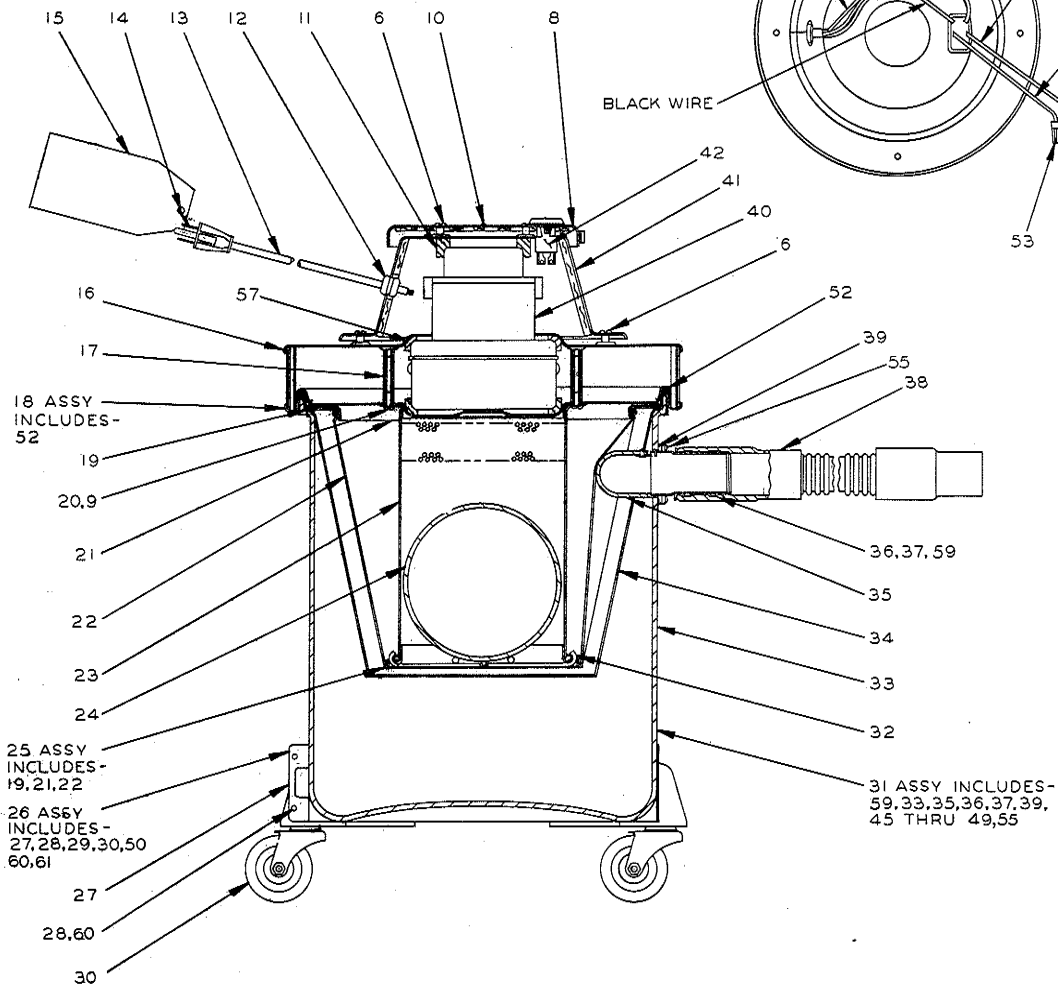
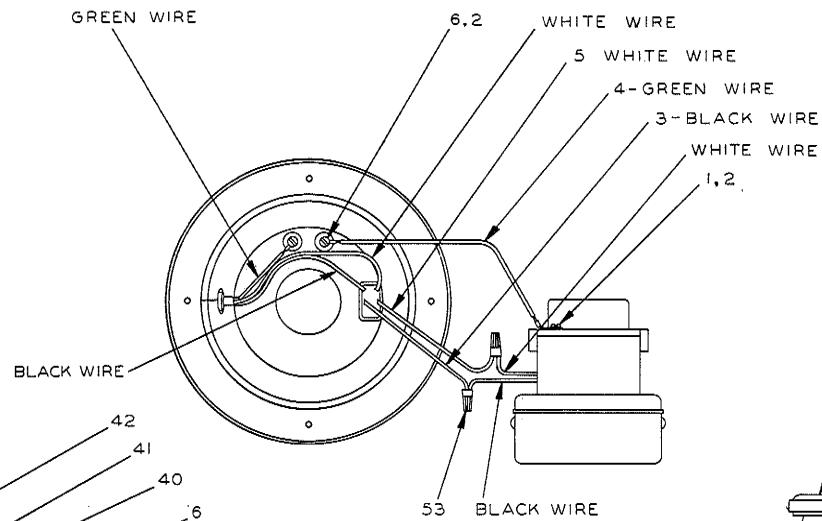
FORM 144-38115  
 PARTS BREAKDOWN  
 EFFECTIVE MARCH 1, 1981  
 (See Form No. 200 for Prices)  
 E.E.O. EMPLOYER M/F

## MODEL 680 AND 680T WET-N-DRY VACUUM 680 ASSEMBLY E13110 680T ASSEMBLY E16615 STARTING WITH SERIAL NO. 4709

No.	To Order Use Part No.	Qty.	Description	No.	To Order Use Part No.	Qty.	Description
1	K723-5	1	Rd. Hd. Machine Screw	37	K15770-10	4	Flat Washer
2	K2964-10	11	Shakeproof Lockwashers	38	K6267	1	10 Ft. - 1½" Hose
3	A12573	1	Brush Switch Wire (Black Wire)	39	A22516	1	Gasket
4	A5065	1	Ground Wire (Green Wire)	40	K5952	1	Motor
5	A13107	1	Switch Wire (White Wire)	41	D13112	1	Motor Hood
6	K4770-6	10	Pan Hd. Machine Screw	42	A12984	1	Switch
8	C13095	1	Handle & Dome	43	B6742	1	Decal
9	K15752-10	4	Shakeproof Lockwashers	44	B13097	1	Final Filter
10	K9437	2	Drivescrews	45	K13106	2	Latch
11	B5960	1	Air Seal	46	K15769-8	4	Pan Hd. Machine Screw
12	K21184	1	Strain Reliever	47	K14156	2	Bearing Plate
13	B12959	1	50' Power Cord	48	K2964-06	4	Shakeproof Lockwasher
14	K13087	1	Clip	49	K3069	4	Hex Nut
15	A13086	1	Tag	50	C12878	4	Caster Mount
16	D12966	1	Motor Housing Top	51	D12884	1	Assy. Spacer Ring & Emblem Plate (Includes 43)
17	A12881	4	Motor Support Spacer	52	C12894	1	Gasket
18	D13111	1	Assy. Motor Housing Bottom (Includes 52)	53	K3088	2	Wire Connector
19	C12964	1	Strip Gasket	54	D13109	1	Assy. Head (Includes 1 thru 18, 20, 23, 24, 32, 40, 41, 42, 43, 44, 51, 52, 53, 56, 57)
20	K15753-36	4	Pan Hd. Machine Screw	55	K6012	4	Nut, Cap
21	D12877	1	Bag Retainer	56	K5113-4	2	Thread Cutting Screws
22	A12968	1	Cloth Filter Bag	57	VM-10	2	Motor Seat
23	D12965	1	Float Chamber	58	E16616	1	Assy. Tank & Head (Includes 25, 31, 54, 34, 38)
24	B12867	1	Float	59	K15753-8	4	Pan Head Machine Screw
25	D12969	1	Assy. Bag & Retainer (Includes 19, 21, 22)	60	K4770-14	2	Pan Head Machine Screw
26	D13102	1	Assy. Belly Band (Includes 27, 28, 29, 30, 50, 60, 61)	61	A15886	4	Non-slip Surfacing
27	D12900	1	Belly Band	62	D16614	1	Assy. Belly Band, Transport Model (Includes 2, 27, 28, 29, 50, 60, 61, 63 thru 69)
28	K6016	2	Wing Nut	63	C13454-1	1	Assy. Wheel Mount & Axle
29	K4770-8	8	Pan Hd. Machine Screw	64	C13454-2	1	Assy. Wheel Mount & Axle
30	K12897	4	Swivel Caster	65	D16603	1	Handle
31	D13105	1	Assy. Tank (Includes 33, 35, 36, 37, 39, 45 thru 49, 55, 59)	66	K2539-20	2	Screw, Flat Hd. Machine
32	C12869	1	Brace & Ring	67	K3143	2	Wheel
33	D12817	1	Tank	68	K5854	2	Caster
34	C13093	1	Paper Filter Bag	69	K6065	2	Nut, Push On
35	C13101	1	Deflector				
36	B22531	1	Assy-Intake and Pin				



WIRING VIEW LOOKING  
UP INTO MOTOR HOOD



**NOTES**

(Revised January 6, 1978)

1. For 680 with 407 stamped on motor, order brush mechanism K5726 (2 required).
2. For 680 with 757 stamped on motor, order brush mechanism K20689 (2 required).