



Electronic Service Manuals

This electronic document is provided as a service to our customers. We do not create the contents of the information contained in this document. Should you have detailed questions pertaining to the information contained in this document, you may contact Michco, or the manufacturer which provided the original information in this electronic deliverable. Michco's only part in this electronic deliverable was the electronic assembly process. By providing this manual on line we are not guaranteeing parts availability.

You may contact Michco through the following methods:

Phone (517) 484-9312 or (800) 331-3339

2011 N. High St. -- Lansing, Michigan -- 48906

Fax: (517) 484-9836

Email: CustServe@Michco.com

Web site: www.Michco.Com

Parts Web site: www.FloorMachineParts.Com

Order Parts on Line at:

www.FloorMachineParts.Com

Directly to Parts & Service:

By Email: **Shop@Michco.com**

By Fax: (517) 702-2041

By Voice: Use numbers above.

Serving the Cleaning Industry Since 1922

Notice: All copyrighted material remains property of original owners, all trademarks are property of respective owners. Manuals are subject to Manufacturer's reproduction limitations. Originals or reproductions were provided by manufacturers through a request. We make no warranty as to the correctness of information provided in this document and you assume all risk. By placing these manuals on line we are not declaring our corporation to be an manufacturer authorized dealer or provider, please check our web site for authorized manufacturers we represent.



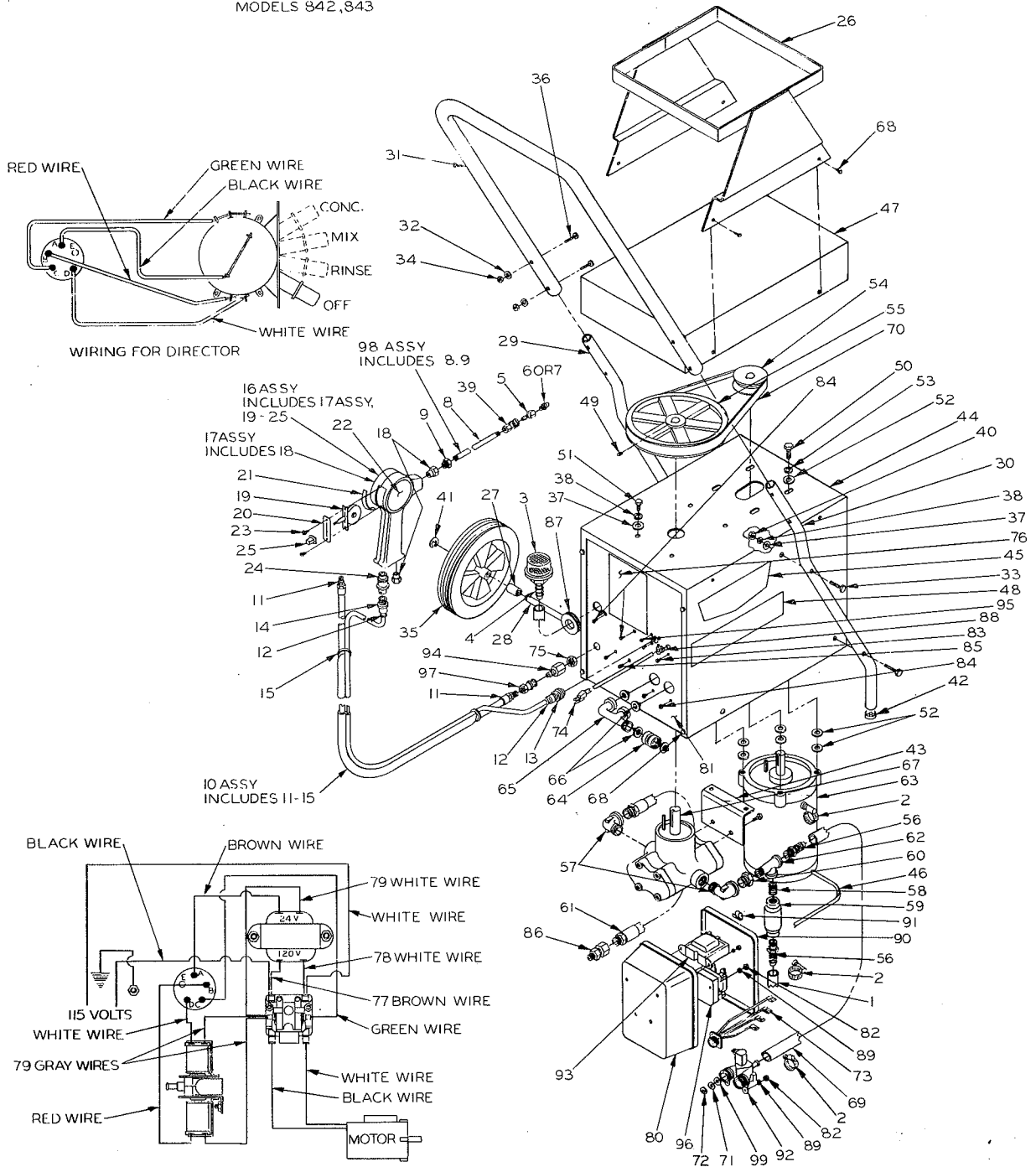
645 E. 7th ST., ST. PAUL, MINN. 55106
 TELEPHONE (612) 771-5581
 TELEX NO. 29-7403

PARTS BREAKDOWN — MODEL 842, 843
(REMOTE CONTROL) PRESSURE WASHER

FORM 281-9771
 EFFECTIVE OCTOBER 1, 1976
 E.E.O. EMPLOYER M/F
 REVISED 9-2-77

NO.	ORDER BY	QTY.	DESCRIPTION	NO.	ORDER BY	QTY.	DESCRIPTION
1	K14894-60	1	Tube, Mix	51	K3036-12	4	Screw, Hex Hd. Cap (Zinc Plated)
2	K14895	3	Clamp, Hose	52	K14880-6	12	Washer, Flat
3	K14911	1	Screen, Bell	53	K14881-6	4	Washer, Lock
4	K15096	1	Adapter, Barbed	54	K14882	1	Pulley
5	K14923	1	Plug, 1/8" Quick Coupler	55	K14883	1	Pulley for 842
6	K14924	1	Nozzle, 2 G.P.M. — 15° — Brass for 842	55	K14963	1	Pulley for 843
6	K15432	1	Nozzle, 3 G.P.M. — 15° — Brass for 843	56	K14884	2	Adapter, Barbed
7	K14925	1	Nozzle, 2 G.P.M. — 40° — Brass for 842	57	K14885	2	Elbow, 90° Street
7	K15435	1	Nozzle, 3 G.P.M. — 40° — Brass for 843	58	K14886	1	Nipple, Close
8	B14936	1	Tube, Wand	59	K14887	1	Valve, Check
9	K14934	1	Bushing	60	K14889	1	Bushing
10	B15031	1	Assy — 35' Remote Control Hose	61	K14890	1	Hose, Discharge
11	K14944	2	Coupling, Hose	62	K14891	1	Tee, Street
12	K15034	2	Clamp, Connector	63	K14893	1	Motor, 3/4 H.P. for 842
13	K15035	1	Plug, Connector (with swivel)	63	K15213	1	Motor, 1 H.P. for 843
14	K15036	1	Socket, Connector	64	K14898	1	Nut, Swivel
15	K15037	2	Ties, Hose	65	K14899	1	Adapter, Inlet
16	C15940	1	Assy — Director	66	K14900	4	Filter, Washer
17	C15054	1	Assembly, Control Handle	67	K14901	1	Pump
18	K14939	2	Coupling, Reducing	68	K14917-8	8	Screw, Thread Cutting
19	A15061	1	Assembly — Switch	69	K14941-17	1	Hose, Inlet
20	A15057	1	Plate, Switch	70	K14932	1	Belt, 29" for 842
21	A15059	1	Label, Control Remote	70	K15240	1	Belt for 843
22	A15939	2	Label, Handle	71	K15544	1	Washer, Flow for 842
23	K15007-6	2	Screw, Pan Hd.	71	K15547	1	Washer, Flow for 843
24	K15035	1	Connector Plug with swivel	72	K15551	1	Ring, Retaining
25	K15060	1	Knob, Switch	73	B15004	1	Assy — Connector Panel
26	C18547-W	1	Assy — Jug Holder	74	B14860	1	Cord, Power
27	A14949	2	Spacer, Axle	75	A14862	1	Panel, Nut
28	A18492	1	Axle, Cart	76	A14875	1	Label, Instructions
29	C18543-W-1	1	Leg, L. H.	77	A15005	1	Wire, Brown
30	C18543-W-2	1	Leg, R. H.	78	A15089	1	Wire, White
31	D18544-W	1	Handle	79	A15114	1	Wire, 2 Black & 1 White
32	K2964-14	4	Lockwasher	80	C15195	1	Tray, Electric Box
33	K3036-24	4	Screw, Hex Hd. Cap	81	C16061-GR	1	Panel, Front
34	K14501	4	Nut, Hex	82	K8880	7	Nut, Hex (Zinc Plated)
35	K14956	2	Wheel, Cart	83	K6032-6	1	Screw, Pan Head (Zinc Plated)
36	K14957-20	4	Screw, Hex Hd. Cap	84	K6032-8	4	Screw, Pan Head (Zinc Plated)
37	K14880-5	8	Washer, Flat	85	K6032-12	2	Screw, Pan Head (Zinc Plated)
38	K14881-5	8	Lockwasher	86	K14863	1	Discharge, Swivel
39	K15116	1	Socket, Quick Coupler	87	K14864	1	Grommet
40	K15741	4	Nut, Hex	88	K14865	1	Strain Relief
41	K15996	2	Ring, E	89	K14873	7	Lockwasher
42	K18548	2	Button, Plug	90	K14908-1	1	Lid, Electric Box
43	B14878	2	Assy — Pump Mount	91	K14910	2	Latch, Electric Box
44	D18650-GR	1	Assy — Chassis	92	K14990	1	Valve, Dual
45	B6742	2	Label, Logo	93	K14996	1	Transformer
46	B14892	1	Harness, Motor	94	K14999	1	Plug, Quick Coupler
47	C14905-W	1	Cover	95	K15007-5	4	Screw, Pan Hd.
48	B18653	2	Decal, Speedspray	96	K15082	1	Relay
49	K9558-6	1	Screw, Set	97	K15487	1	Socket, Quick Coupler
50	K2949-8	4	Screw, Hex Hd. Cap (Zinc Plated)	98	B14933	1	Assy — Wand
				99	K17279	1	Washer, Backup

PARTS BREAKDOWN
MODELS 842,843



ASSEMBLY INSTRUCTIONS:

1. Remove parts from shipping carton, handle (#31), wand assy (#16) and main unit.
 2. Assemble grease gun to the grease tube and force into the fitting located in the middle of the pump. Apply grease every 100 hours.
 3. Insert mix tube assy (parts 1, 3, 4) — through grommetted hole in the front panel and slide it onto the barbed fitting extending from check valve (#59). Tighten in place with hose clamp (#2).
 4. Assemble inlet adaptor (#65) and swivel nut (#64) using screen washers #66 illustrated. Tighten adaptor (#65) to the two inlet parts of dual valve (#92). Finger tighten only. Do not use wrench.
 5. Assemble handle assy (#16) to pressure hose assy (#10) and tighten hose assy (#10) into swivel coupling (#94) on front of machine.
 6. Loosen screws #33 four places which hold lower legs to chassis.
 7. Slide handle (#31) into lower handle assy (#29 & #30) and secure with nuts and screws (32, 34, 36) then retighten #33 (4) screws.
 8. Hook up to water supply, electric outlet, and place dip tube into chemical solution.
- You are ready to make things clean.