



Electronic Service Manuals

This electronic document is provided as a service to our customers. We do not create the contents of the information contained in this document. Should you have detailed questions pertaining to the information contained in this document, you may contact Michco, or the manufacturer which provided the original information in this electronic deliverable. Michco's only part in this electronic deliverable was the electronic assembly process. By providing this manual on line we are not guaranteeing parts availability.

You may contact Michco through the following methods:

Phone (517) 484-9312 or (800) 331-3339

2011 N. High St. -- Lansing, Michigan -- 48906

Fax: (517) 484-9836

Email: CustServe@Michco.com

Web site: www.Michco.Com

Parts Web site: www.FloorMachineParts.Com

Order Parts on Line at:

www.FloorMachineParts.Com

Directly to Parts & Service:

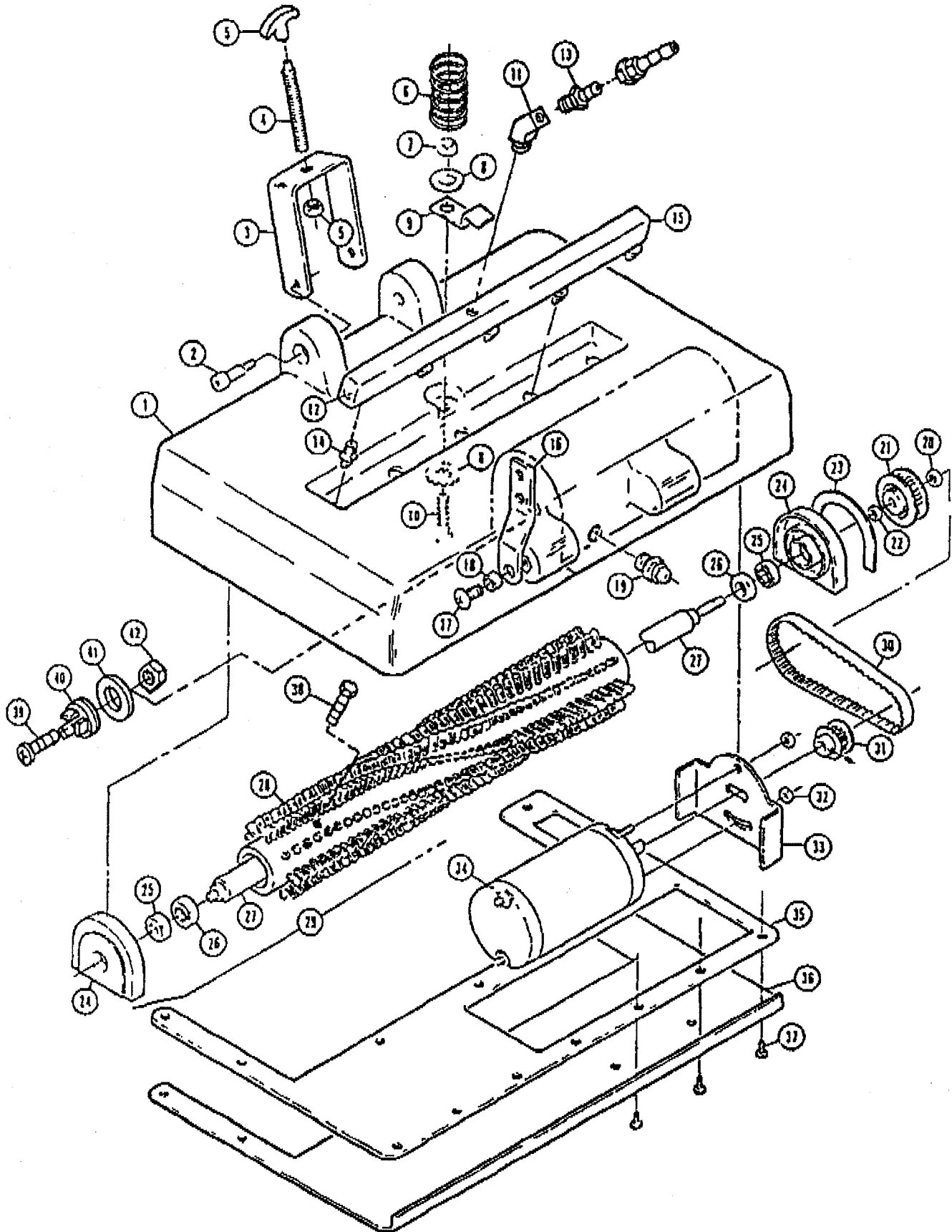
By Email: **Shop@Michco.com**

By Fax: (517) 702-2041

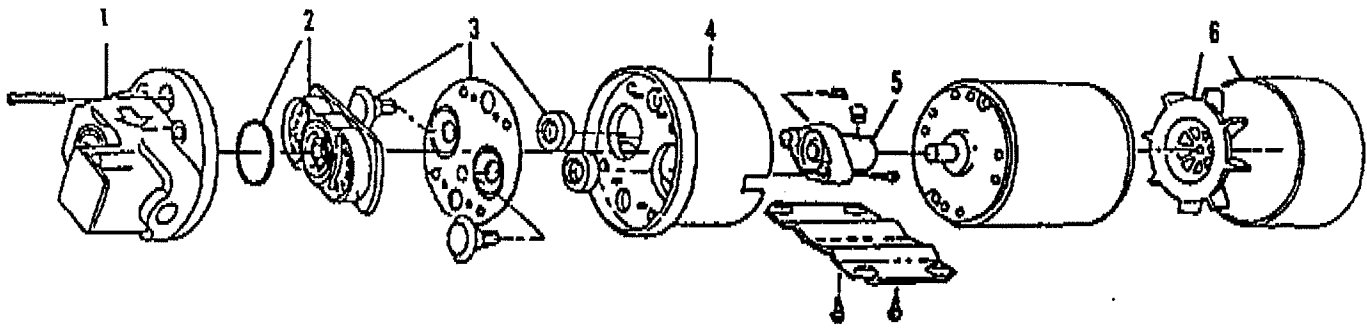
By Voice: Use numbers above.

Serving the Cleaning Industry Since 1922

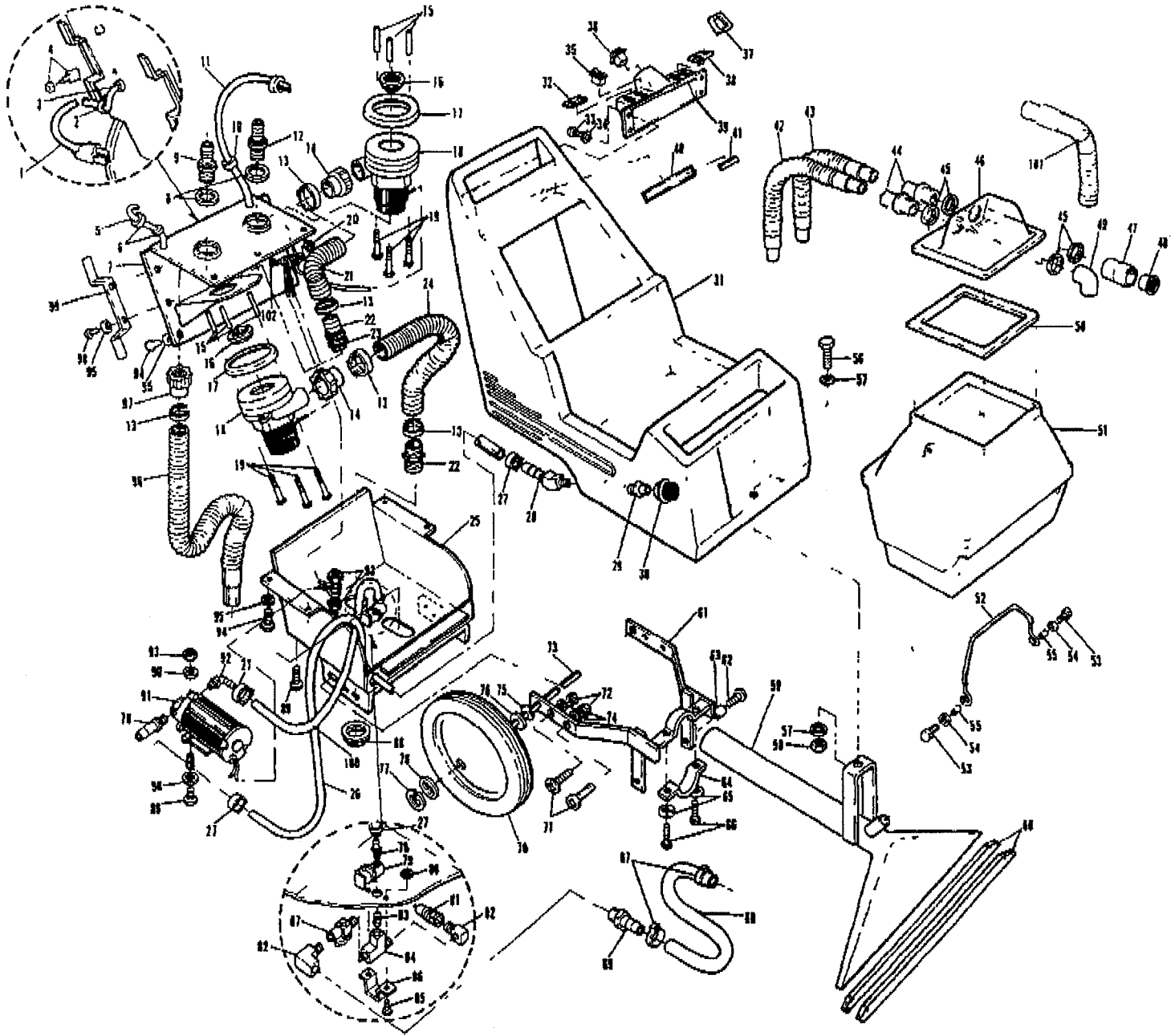
Notice: All copyrighted material remains property of original owners, all trademarks are property of respective owners. Manuals are subject to Manufacturer's reproduction limitations. Originals or reproductions were provided by manufacturers through a request. We make no warranty as to the correctness of information provided in this document and you assume all risk. By placing these manuals on line we are not declaring our corporation to be an manufacturer authorized dealer or provider, please check our web site for authorized manufacturers we represent.



Ref #	Part Number	Qty	Description
1	602683	1	BRUSH BASE HOUSING DK. GRAY
2	140564	2	BOLT, SHOULDER 3/8 X 3/4 SOCK. HD.
3	230638.BK	1	BRACKET, HEIGHT ADJUSTMENT
4	230258	1	STUD, THREADED
5	240194	1	KNOB, HEIGHT ADJUSTMENT
6	140407	1	SPRING, PWR BRUSH .845 OD
7	140515	1	NUT, LOCK NYLON INSERT 3/8-16 S/S
8	140036	2	WASHER, FLAT 3/8 SAE - S/S
9	230264.BK	1	CLAMP, SPRAYBAR MANIF., BLACK
10	140233	1	SCREW, HEX HD. CAP 3/8-16 X 1 3/4
11	150422	1	ELBOW, STREET 45° 1/8 MPT X 1/8 FPT.
12	150208	3	PLUG, BRASS HEX HEAD 1/8
13	150616	1	ADAPTER, BRASS 1/8 NPTM X 1/4 37°.
14	201000	5	NOZZLE, 1/8 V-JET BRASS #80015
15	230379	1	MANIFOLD, SPRAYBAR 20"
16	230635	1	BRACKET, BRUSH ASSY.
17	140898	2	SCREW, MACH 3/8-16 X 3/4 THP - S/S
18	140914	2	SPACER, NYLON .375 ID X .50 X .25
19	130165	1	CORD GRIP/LIQUID TIGHT 3/8 NPT
20	140548	1	NUT, FINISHED JAM 5/16 - S/S
21	230505	1	PULLEY, BRUSH W/SCREWS
22	230363	1	SPACER, .625 OD X .328 ID X .125
23	100005	1	GASKET, BEARING BLOCK
24	230261	2	BLOCK, BEARING
25	140125	2	BEARING, BRUSH
26	100049	2	SEAL, BRUSH BEARING
27	230362	1	SHAFT, BRUSH 20"
28	240050	1	BRUSH, CYLINDER
29	700094	1	BRUSH ASSEMBLY COMPLETE
30	230507	1	BELT, BRUSH DRIVE
31	230506	1	PULLEY, MOTOR W/SCREW
32	140518	2	NUT, KEP 10-32 S/S
33	230366	1	PLATE, MOTOR MOUNT
34	130471	1	MOTOR, BRUSH DRIVE 120 VOLT
	130472	1	MOTOR, BRUSH DRIVE 220 VOLT
35	100115	1	GASKET, 20" POWER BRUSH BASE
36	230367.BK	1	PLATE, BRUSH BASE 20" BLACK
37	140887	12	SCREW, MACHINE 10-24 X 3/8 PHP S/S
38	140554	4	SCREW, HEX HD. CAP 1/4-20 X 3/4 - S/S
39	140831	1	SCREW, MACH 6/32 X 5/8 RHP - S/S
40	130304	1	RECTIFIER
41	140539	1	NUT, KEP 6-32 - S/S
42	140539		NUT 6-32 KEP SS



Ref #	Part Number	Qty	Description
1	190406	1	UPPER HOUSING KIT (No screws included)
2	26744	1	FLOJET CHECK VALVE
3	190410	1	DIAPHRAGM KIT
4	190408	1	FLOJET BEARING COVER KIT
5	190411	1	CAM BEARING KIT (No screws included)
6	190407	1	FAN SHROUD KIT



Ref #	Part Number	Qty	Description
1	28683	1	CORD ASSY 14/3 X 50' YELLOW
2	28729	1	TUBE, CLAMP
3	28305	1	RELIEF, STRAIN
4	130760	1	BREAKER, CIRCUIT-1.5 AMP
5	28685	1	CORD
6	14865	2	RELIEVER, STRAIN
7	28283.WH	1	ENCLOSURE ASSY VAC & MOTOR
8	210234	2	GASKET, DRAIN VALVE
9	25202	1	HOSE BARB
10	28305	1	RELIEF, STRAIN
11	28684	1	CORD
12	28289	1	A REWORKED HOSE BARB
13	140307	5	CLAMP, HOSE 3/4 TO 1 3/4 DIA. S/S
14	28259	1	A REWORKED HOSE ADAPTER
15	28246	6	SPACER, MOTOR SUPPORT
16	210240	2	NUT, METAL DRAIN VALVE
17	0174..10	2	SEAT, NEOPRENE MOTOR
18	25151	2	MOTOR, VACUUM 5.7 DIA 2 STG. 120 V
	130403	2	MOTOR, VACUUM 5.7 DIA 2 STG. 230 V
19	140209	6	SCREW, HEX HD CAP 1/4-20 X 2 1/2
20	140519	1	NUT, KEP 10-24 - S/S
21	28290	1	HOSE, 7"
22	28258	1	A REWORKED HOSE BARB
23	210234	1	GASKET, DRAIN VALVE
24	28291	1	HOSE, 17"
25	28286.WH	1	WELDMENT, PUMP WHITE
26	25160	1.2 ft	TUBING, 5/8 O.D. X 3/8 I.D. NYLOBRADE
27	140310	4	CLAMP, HOSE 5/16 TO 7/8 DIA. - S/S
28	28303	1	HOSE, BARB
29	150606	1	NIPPLE, BRASS HEX 1/4 MPT X 1/4 MPT
30	180628	1	SCREEN, CLEAN WATER TANK
31	28014	1	CHASSIS, ROTOMOLD GRAY SC X 20
32	28317	1	DECAL, PUMP-BRUSH
33	15753.8	4	SCREW, MACHINE 10-24 X 1/2 PHP
34	140018	4	WASHER, INTERNAL LOCK TOOTH #10
35	130717	4	SWITCH, ROCKER ON/OFF 120/220 VOLT
36	28228	1	SWITCH
37	28318	1	DECAL, INTERMITTENT PUMP
38	28316	1	DECAL, VAC 1- VAC 2
39	28015	1	ENCLOSURE, SWITCH
40	120529	1	NAME PLATE, NOBLES
41	120556	1	DECAL, FRONT - SCX-20
42	28358	1	HOSE, 17" CLEAR WHITE W/1 1/2 CUFFS
43	28231	1	HOSE, 17"
44	25202	2	HOSE BARB
45	210234	4	GASKET, DRAIN VALVE
46	28013	1	COVER, RECOVERY TANK
47	28599	1	ADAPTER, REWORK
48	25203	1	SCREEN
49	19006	1	ELBOW, 90° 1-1/2 PVC SCHEDULE 40
50	28229	3ft	GASKET, BLACK 1/2" WIDE X 3/16" THICK
51	28220	1	RECOVERY TANK LT. GRAY W/CUTOUT

Ref #	Part Number	Qty	Description
53	140554	2	SCREW, HHC 1/4-20 X 3/4
54	140003	2	WASHER, FENDER 1/4" X 1"
55	28277	2	SPACER
56	140256	1	SCREW, HHC 3/8-16 X 2 1/2
57	140028	2	WASHER, FLAT 3/8 VSS
58	140515	1	NUT, LOCK NYLON INSERT 3/8-16
59	230637.BK	1	TOOL, FLOOR 20" BLACK
60	200825	2	SHOE, STAINLESS STEEL 20"
61	230635	1	BRACKET, MOUNTING BRUSH BASE
62	140898	2	SCREW, MACHINE 3/8-16 X 3/4 THP
63	140914	2	SPACER, NYLON .375 ID X .500, 250 W.
64	140313	1	CLAMP, FLOOR TOOL
65	140016	2	WASHER, LOCK 1/4"
66	140212	2	SCREW, HHC 1/4-20 X 1-1/2
67	140325	2	CLAMP, EAR 1/4"
68	160204	1.75ft	HOSE, 1/4 L.P. GRAY
69	150515	1	HOSE BARB, BRASS 1/4 MPT X 1/4 HOSE
70	103009	2	WHEEL, 12" X 1.75 HUB-NON MARKING
71	28337	4	SCREW, 5/16-18 X 1" FHP
72	140546	4	NUT, LOCK-NYLON INSERT 5/16-18
73	28114	1	AXLE, WHEEL - ZINC
74	14880.4	4	WASHER, FLAT .320" ID X .750" OD X .075
75	4252	2	WASHER, COMPRESSION - ZINC
76	3148.816	4	WASHER, FLAT STEEL
77	28230	2	RING, RETAINING
78	150516	2	HOSE BARB, BRASS 1/4 X 3/8 HOSE
79	210033	1	VALVE, SOLENOID 120 VOLT 60 Hz.
	210036	1	VALVE, SOLENOID 220 VOLT 50 Hz.
80	140552	2	NUT, NYLON LOCK 10-24
81	150933	1	PLUG, QUICK COUPLER SERIES 60
82	150406	2	ELBOW STREET 90° 1/4 FPT X 1/4 MPT
83	150615	1	NIPPLE, BRASS CLOSE 1/4 PIPE
84	28326	1	BRACKET, TEE
85	140887	2	SCREW, MACHINE 10-24 X 3/8 PHP
86	150709	1	TEE, BRASS 1/4 FPT X 1/4 FPT X 1/4 MPT
87	210030	1	VALVE, DIVERTER
88	210240	1	NUT, METAL DRAIN VALVE
89	140889	3	SCREW, MACHINE 10-24 X 1-1/4 RHP
90	140012	4	WASHER, FLAT 3/16 USS
91	26709	1	PUMP, 100 PSI 120 V
	180109	1	PUMP, 100 PSI 240 V
92	150415	1	ELBOW 90° NYLON 1/4 MPT X 3/8 HOSE
93	140519	4	NUT, KEP 10-24
94	15753.8	10	SCREW, MACHINE 10-24 X 1/2 PHP
95	140018	14	WASHER, INTERNAL LOCK TOOTH #10
96	28248	1	HOSE, 48"
97	28247	1	HOSE BARB, REWORKED
98	15753.12	4	SCREW, PH FC #10-24 X 3/4" STEEL
99	28398.WH	2	HOLDER, CORD WHITE
100	25160	.83 ft	TUBING, 5/8 O.D. X 3/8 I.D. NYLOBRADE
101	160404	1	HOSE, VACUUM 1 1/2 X 5' W/1 CUFF
102	140018	1	WASHER, INTERNAL LOCK TOOTH #10