



Electronic Service Manuals

This electronic document is provided as a service to our customers. We do not create the contents of the information contained in this document. Should you have detailed questions pertaining to the information contained in this document, you may contact Michco, or the manufacturer which provided the original information in this electronic deliverable. Michco's only part in this electronic deliverable was the electronic assembly process. By providing this manual on line we are not guaranteeing parts availability.

You may contact Michco through the following methods:

Phone (517) 484-9312 or (800) 331-3339

2011 N. High St. -- Lansing, Michigan -- 48906

Fax: (517) 484-9836

Email: CustServe@Michco.com

Web site: www.Michco.Com

Parts Web site: www.FloorMachineParts.Com

Order Parts on Line at:

www.FloorMachineParts.Com

Directly to Parts & Service:

By Email: **Shop@Michco.com**

By Fax: (517) 702-2041

By Voice: Use numbers above.

Serving the Cleaning Industry Since 1922

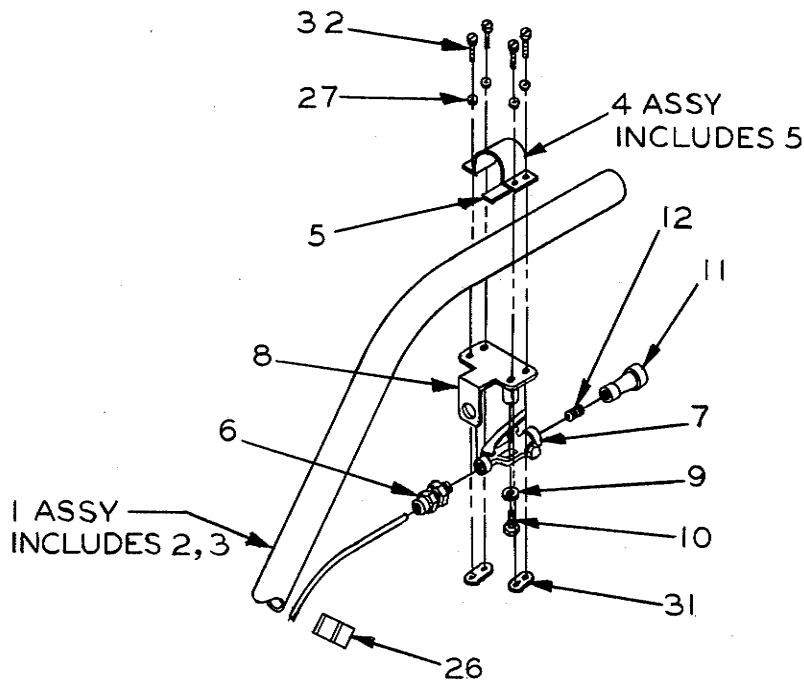
Notice: All copyrighted material remains property of original owners, all trademarks are property of respective owners. Manuals are subject to Manufacturer's reproduction limitations. Originals or reproductions were provided by manufacturers through a request. We make no warranty as to the correctness of information provided in this document and you assume all risk. By placing these manuals on line we are not declaring our corporation to be an manufacturer authorized dealer or provider, please check our web site for authorized manufacturers we represent.

NOBLES INDUSTRIES, INC.

645 E. 7th St., St. Paul, MN 55106
(612) 771-5581
Telex No. 29-7403

FORM 112-2821
EFFECTIVE FEBRUARY 1, 1982
E.E.O. EMPLOYER M/F

SCRAPER TOOL ASSEMBLY Assembly No. D23915



Item	Part No.	Qty.	Description
1.	C6108	1	Assy - Wand (Includes 2 & 3)
2.	B6046	1	Male Lock Nut
3.	A6071	1	Lock Ring
4.	A17364	1	Assy - Bracket & Non-Slip (Includes 5)
5.	A17368	1	Surfacing, Non-Slip
6.	K15834	2	Fitting, Tube
7.	K16563	1	Valve
8.	K17366	1	Assy - Bracket & Stud
9.	K15770-616	1	Washer, Flat
10.	K16566-6	1	Screw, Hex Hd.
11.	K15296	1	Socket, Quick Disconnect
12.	K15285	1	Nipple, Close
13.	K15833	2	Nozzle
14.	K15153	2	Elbow
15.	K15152	2	Nipple
16.	K15151	1	Tee
17.	C23438	1	Assy - Universal Tool (See Back)
18.	C23921	1	Assy - Plate & Weld Nuts
19.	C23920	1	Bracket, Clamp
20.	B23923	1	Brush, Refill
21.	K15753-8	7	Screw, Pan Hd.
22.	K15752-10	11	Lockwasher
23.	B23922	1	Plate
24.	A15816	1	Clamp
25.	A15817	2	Clamp
26.	A15820	3	Clamp
27.	K15752-14	8	Lockwasher
28.	K15753-6	4	Screw, Pan Hd.
29.	K15835-46	1	Tubing, 46"
30.	K15856	4	Nut, Hex
31.	K15859	4	Nut, Weld-On
32.	K15860-8	8	Screw, Pan Hd.
33.	K23458	7	Screw

