



Electronic Service Manuals

This electronic document is provided as a service to our customers. We do not create the contents of the information contained in this document. Should you have detailed questions pertaining to the information contained in this document, you may contact Michco, or the manufacturer which provided the original information in this electronic deliverable. Michco's only part in this electronic deliverable was the electronic assembly process. By providing this manual on line we are not guaranteeing parts availability.

You may contact Michco through the following methods:

Phone (517) 484-9312 or (800) 331-3339

2011 N. High St. -- Lansing, Michigan -- 48906

Fax: (517) 484-9836

Email: CustServe@Michco.com

Web site: www.Michco.Com

Parts Web site: www.FloorMachineParts.Com

Order Parts on Line at:

www.FloorMachineParts.Com

Directly to Parts & Service:

By Email: **Shop@Michco.com**

By Fax: (517) 702-2041

By Voice: Use numbers above.

Serving the Cleaning Industry Since 1922

Notice: All copyrighted material remains property of original owners, all trademarks are property of respective owners. Manuals are subject to Manufacturer's reproduction limitations. Originals or reproductions were provided by manufacturers through a request. We make no warranty as to the correctness of information provided in this document and you assume all risk. By placing these manuals on line we are not declaring our corporation to be an manufacturer authorized dealer or provider, please check our web site for authorized manufacturers we represent.



645 7th ST., ST. PAUL, MINN. 55106
 (612) 771-5581
 TELEX NO. 29-7403

FORM 346-860 5C
 EFFECTIVE AUGUST 1, 1980

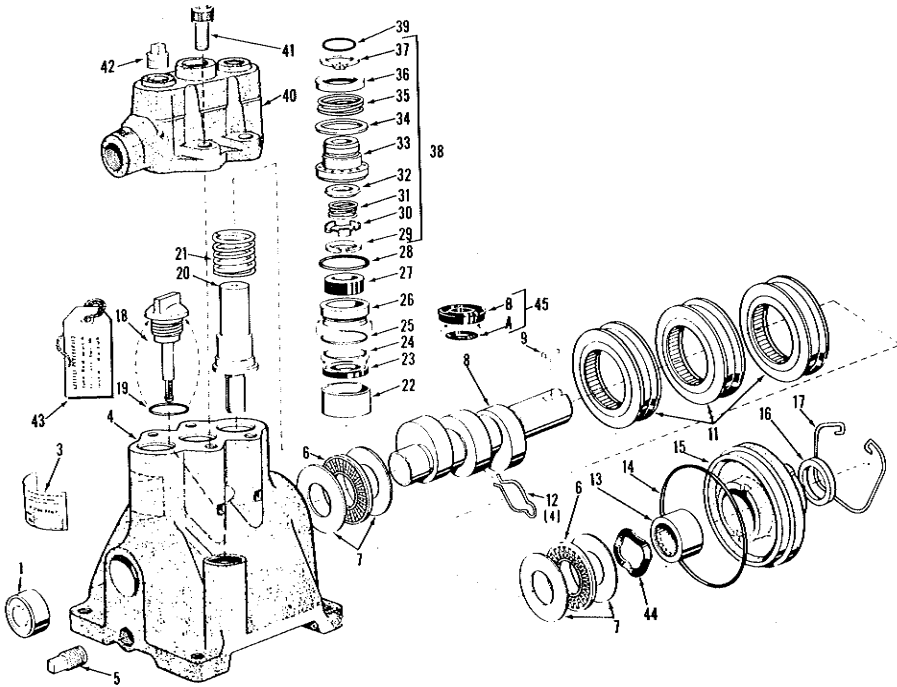
HYPRO BREAKDOWN
Models B5041A, B5041AC
(1000 PSI)

Repair Kit No. K18414 (Old Pump B5041A) for 140° F. Pumps

Consists of three each of K18475 cup, K18470 o-ring for cup, K18471 o-ring for guide retainer, K18459 guide for piston, K18472 o-ring for discharge valve seat, K18474 o-ring for inlet valve seat.

Repair Kit No. K21066 for 180° F. Pumps Model B5041AC

Consists of three each of K21065 cup, K21064 Teflon seal ring for cup, K18471 o-ring for guide retainer, K18459 guide for piston, K18472 o-ring for discharge valve seat, K18474 o-ring for inlet valve seat.



TO ORDER PARTS: Give part number and description. Also, give complete model number. Reference numbers (first column) are used only to identify parts in drawing; do not use as order numbers.

Ref. No.	No. Req'd	Part Number	Part Name	Ref. No.	No. Req'd	Part Number	Part Name
1	1	K18427	MAIN BEARING - CLOSED	28	3	K18472	O - RING (LOWER) FOR DISCHARGE VALVE SEAT
3	1	K18638	NAMEPLATE DECAL	29	3	K18473	VALVE RETAINER RING - INLET
4	1	K18639	BODY CRANKCASE (INCLUDES PARTS 18 AND 19)	30	3	K18461	VALVE SPRING RETAINER - INLET
5	1	K18430	DRAIN PLUG	31	3	K18462	VALVE SPRING - INLET
6	2	K18359	THRUST BEARING	32	3	K18463	VALVE POPPET - INLET
7	4	K18360	THRUST BEARING RACE	33	3	K18464	VALVE SEAT - DISCHARGE
8	1	K16994	CRANKSHAFT	34	3	K18465	VALVE POPPET - DISCHARGE
9	1	K18351	KEY	35	3	K18466	VALVE SPRING - DISCHARGE
11	3	K21061	CAM BEARING ASSEMBLY	36	3	K18467	VALVE SPRING RETAINER - DISCHARGE
12	4	K17029	REATINER RING	37	3	K18468	VALVE RETAINER RING - DISCHARGE
13	1	K18359	MAIN BEARING OPEN	38	3	K18469	UNITIZED VALVE ASSEMBLY (1 EACH PARTS #29-37
14	1	K17010	O-RING FOR BODY CRANKCASE	39	3	K18474	O-RING (UPPER) FOR INLET VALVE SEAT
15	1	K16993	CRANKCASE COVER	40	1	K18460	CYLINDER HEAD
16	1	K17802	SEAL	41	4	K18475	SOCKET HEAD CAPSCREW
17	1	K18354	RETAINER PLUG	42	2	K18476	PLUG
18	1	K18640	OIL FILL CAP AND LEVEL GAUGE	43	1	K18477	INSTRUCTION TAG
19	1	K15607	O-RING FOR LEVEL GAUGE	44	1	K21062	WAVE WASHER
20	3	K17003	PISTON ASSEMBLY	45	3	K21063	PISTON CUP ASSEMBLY (REPLACES K18457 U-CUP AND K18470 O-RING IN HIGH TEMPERTURE MODEL PUMPS)
21	3	K16995	PISTON SPRING	45A	3	K21064	PISTON CUP SEAL RING (HIGH TEMPERATURE PUMPS ONLY)
22	3	K18456	CUP RETAINER	45B	3	K21065	PISTON CUP (TEMPERATURE HIGH ONLY)
23	3	K18457	"U" CUP (OLD PUMP)				
24	3	K18470	O-RING FOR "U" CUP (OLD PUMP)				
25	3	K18471	O-RING FOR GUIDE RETAINER				
26	3	K18458	GUDIE RETAINER				
27	3	K18459	GUIDE FOR PISTON				