



## Electronic Service Manuals

This electronic document is provided as a service to our customers. We do not create the contents of the information contained in this document. Should you have detailed questions pertaining to the information contained in this document, you may contact Michco, or the manufacturer which provided the original information in this electronic deliverable. Michco's only part in this electronic deliverable was the electronic assembly process. By providing this manual on line we are not guaranteeing parts availability.

You may contact Michco through the following methods:

Phone (517) 484-9312 or (800) 331-3339

2011 N. High St. -- Lansing, Michigan -- 48906

Fax: (517) 484-9836

Email: [CustServe@Michco.com](mailto:CustServe@Michco.com)

Web site: [www.Michco.Com](http://www.Michco.Com)

Parts Web site: [www.FloorMachineParts.Com](http://www.FloorMachineParts.Com)

Order Parts on Line at:

**[www.FloorMachineParts.Com](http://www.FloorMachineParts.Com)**

Directly to Parts & Service:

By Email: **[Shop@Michco.com](mailto:Shop@Michco.com)**

By Fax: (517) 702-2041

By Voice: Use numbers above.

**Serving the Cleaning Industry Since 1922**

Notice: All copyrighted material remains property of original owners, all trademarks are property of respective owners. Manuals are subject to Manufacturer's reproduction limitations. Originals or reproductions were provided by manufacturers through a request. We make no warranty as to the correctness of information provided in this document and you assume all risk. By placing these manuals on line we are not declaring our corporation to be an manufacturer authorized dealer or provider, please check our web site for authorized manufacturers we represent.

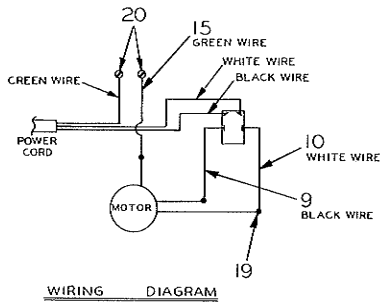
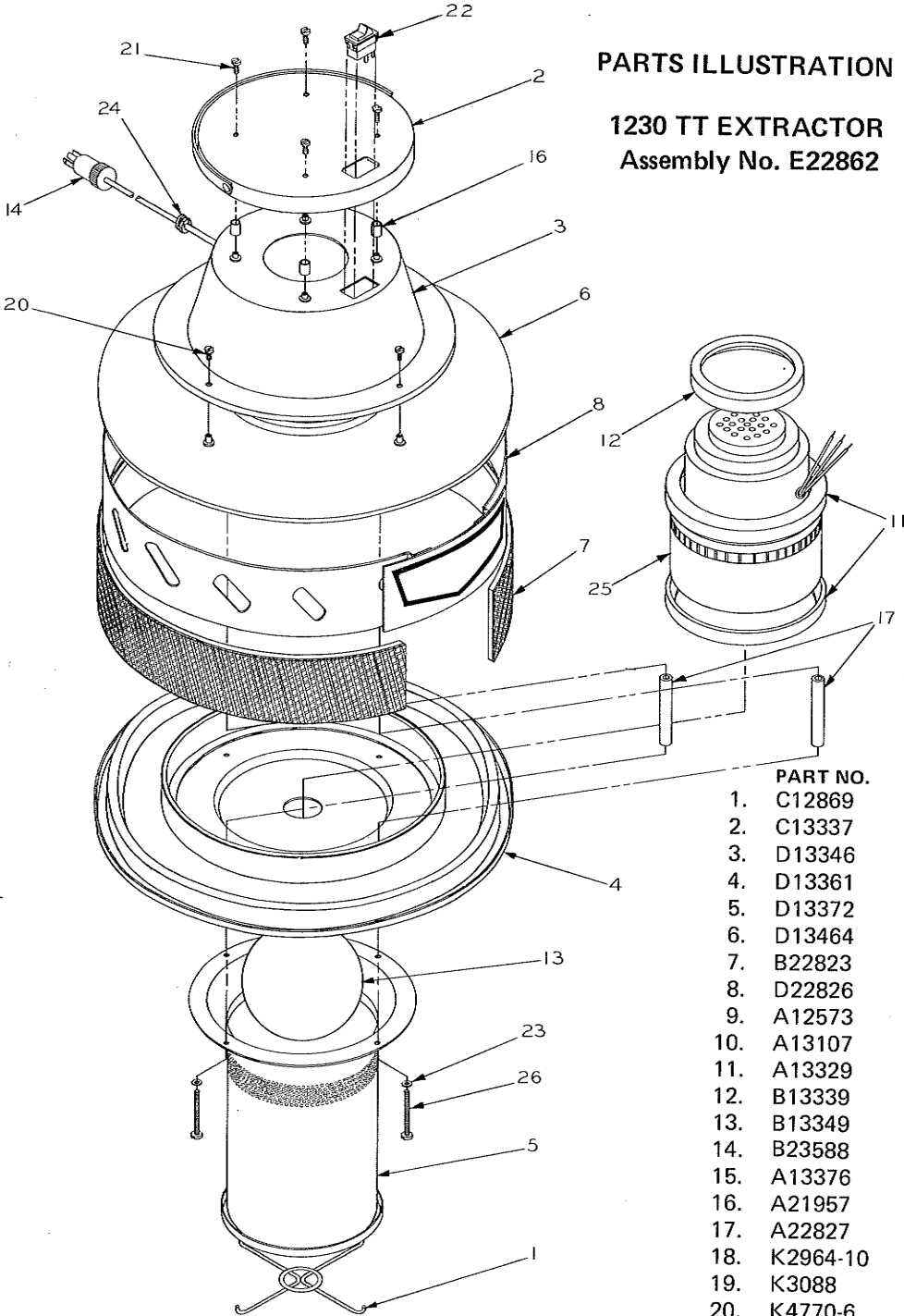
# NOBLES INDUSTRIES, INC.

FORM 374-8/812M  
REVISED OCTOBER 6, 1981  
EFFECTIVE AUGUST 1, 1981  
E.E.O EMPLOYER M/F

645 E. 7th ST., ST. PAUL, MINN. 55106  
(612) 771-5581

## PARTS ILLUSTRATION

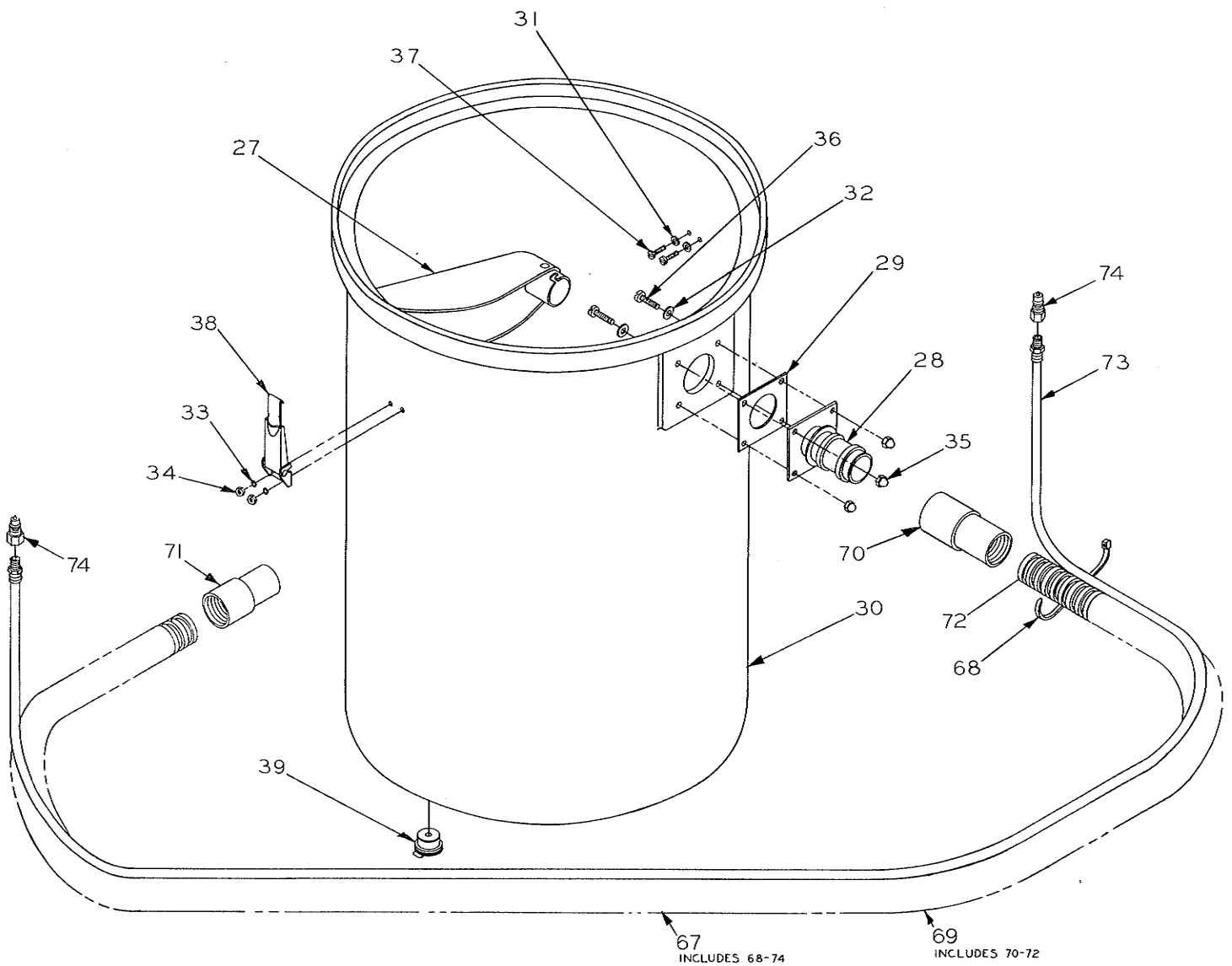
### 1230 TT EXTRACTOR Assembly No. E22862



### HEAD ASSEMBLY Assembly No. D23589

PART NO.	QTY.	DESCRIPTION
1. C12869	1	Assy - Brace & Ring
2. C13337	1	Assy - Handle & Dome
3. D13346	1	Assy - Motor Hood & Insulation
4. D13361	1	Assy - Motor Housing Bottom
5. D13372	1	Assy - Float Chamber
6. D13464	1	Assy - Motor Housing Top & Insulation
7. B22823	1	Assy - Final Filter
8. D22826	1	Assy - Spacer Ring & Emblem Plate
9. A12573	1	Wire, Brush Switch
10. A13107	1	Wire, Switch
11. A13329	2	Seal, Motor
12. B13339	1	Seal, Air
13. B13349	1	Float
14. B23588	1	Power Cord
15. A13376	1	Wire, Ground
16. A21957	4	Spacer
17. A22827	4	Spacer, Motor Support
18. K2964-10	2	Lockwasher, Shakeproof
19. K3088	3	Connector, Wire
20. K4770-6	6	Pan Head Machine Screw
21. K4770-12	4	Pan Head Machine Screw
22. K12984	1	Switch
23. K15752-10	4	Lockwasher, Shakeproof
24. K21184	1	Reliever, Strain
25. K22829	1	Motor
26. K22831-48	4	Round Machine Screws

Note: Optional Parts For Use As Dry Vacuum (Not Shown)  
 D13382 Assy - Bag & Retainer (Cloth)  
 C13374 Paper Filter Bag

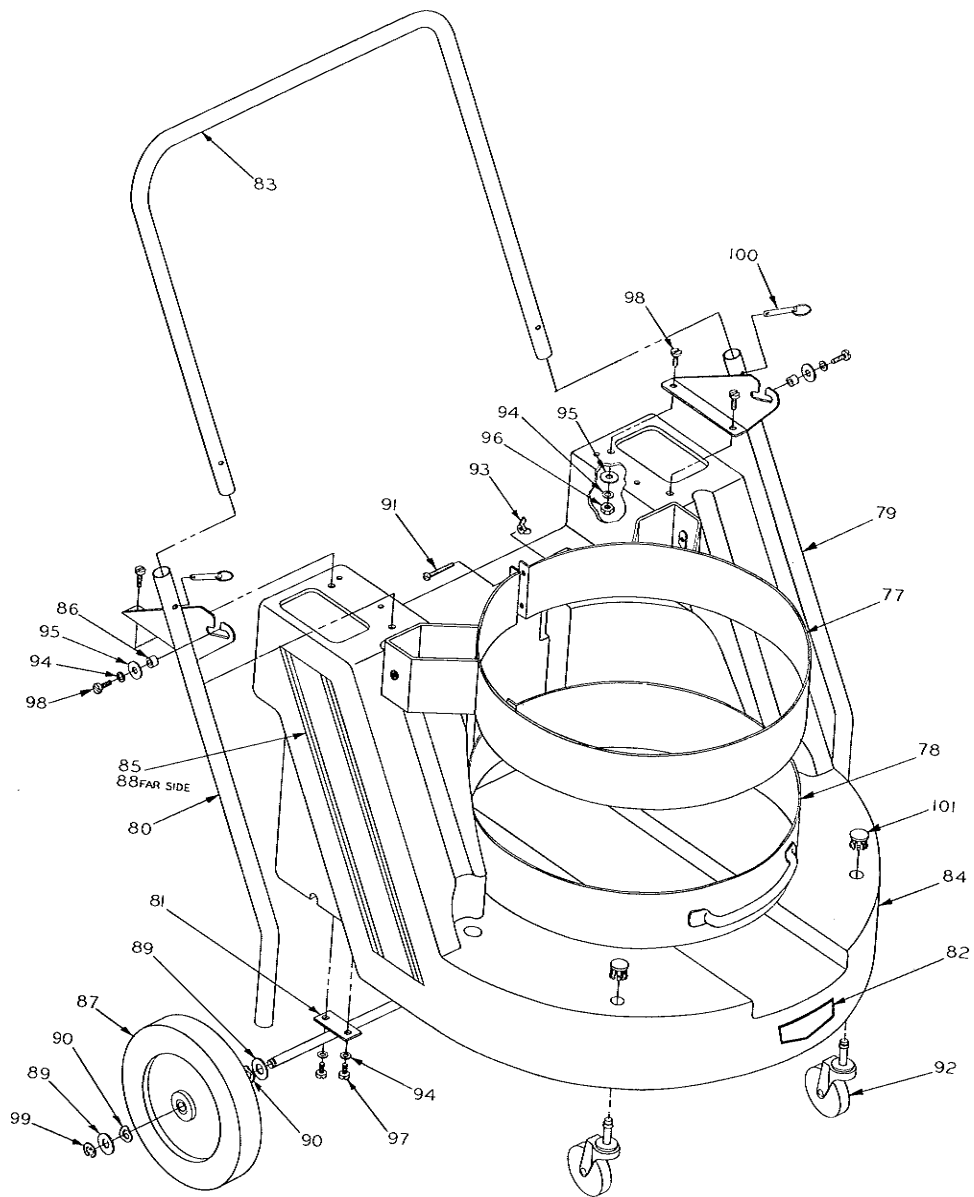


**TANK ASSEMBLY**  
**Assembly No. D13359**

PART NO.	QTY.	DESCRIPTION
27. C13101	1	Assy - Deflector
28. A22531	1	Assy - Intake & Pin
29. A22516	1	Gasket
30. D13331	1	Tank
31. K15770-6	4	Washer, Flat Steel
32. K15770-10	4	Washer, Flat Steel
33. K2964-06	4	Lock Washer, Shakeproof
34. K3069	4	Nut, Hex Steel Machine Screw
35. K6012	4	Nut, Cap
36. K15753-12	4	Screw, Pan Hd. Machine
37. K15769-10	4	Screw, Pan Hd, Machine
38. K13106	2	Latch
39. K13377	1	Drain, Plug (Not included In Tank Assy.)

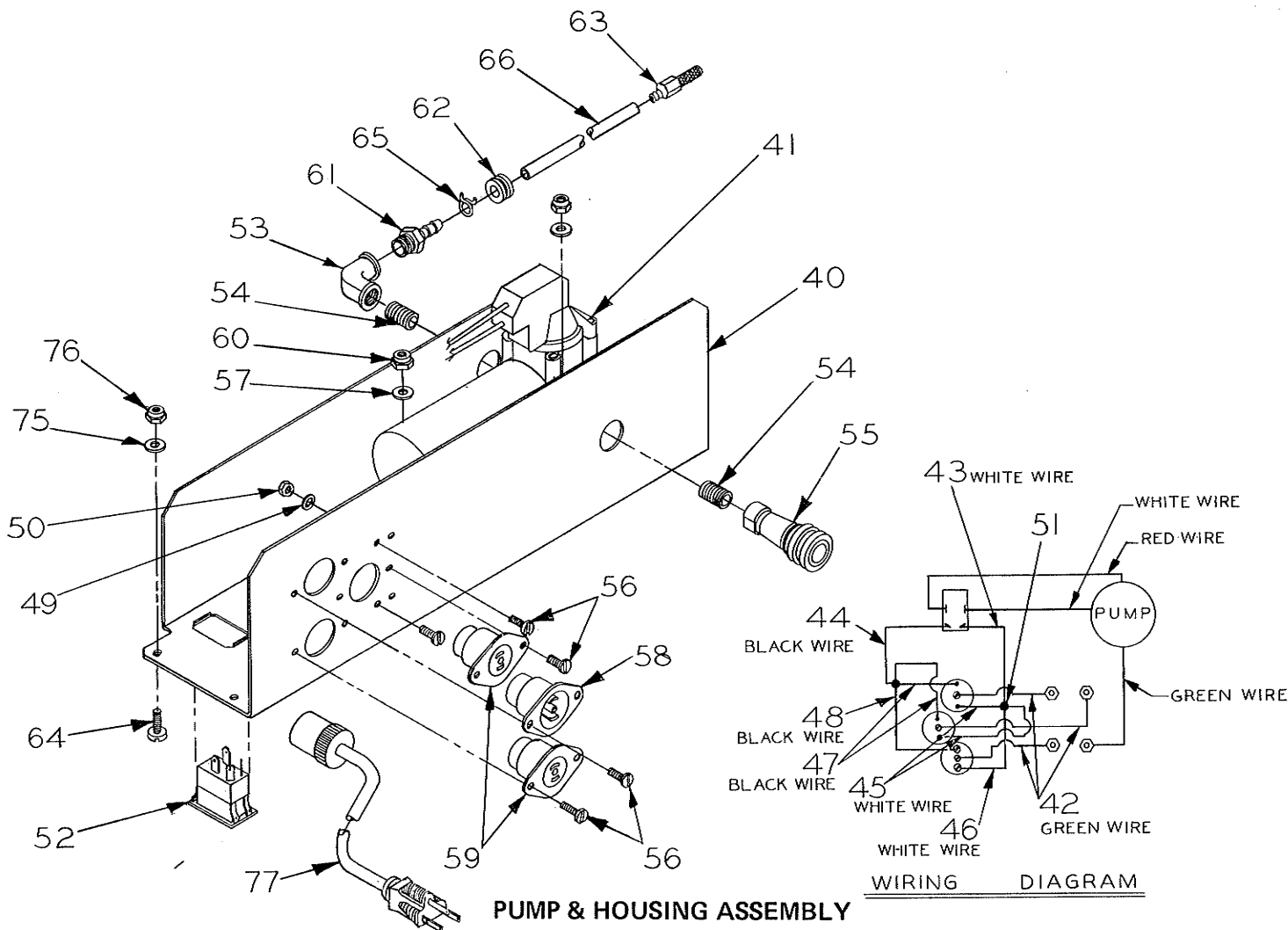
**VAC & SOLUTION HOSE ASSEMBLY**  
**Assembly No. C22861**

67. C22861	1	Assy - Vac & Solution Hose
68. K15037	7	Hose Tie
69. K22864	1	Vac Hose (Includes 70-72)
70. K6074	1	Cuff
71. K6075	1	Cuff
72. K6073-25	1	Vac Hose
73. K22865	1	Solution Hose
74. K15284	2	Socket, Quick Coupler



**TILT TANK CART ASSEMBLY**  
**Assembly No. D22796**

PART NO.	QTY.	DESCRIPTION
77. C22451	1	Assy - Belly Band & Pivot Brackets
78. C22452	1	Assy - Belly Band & Handle
79. C22800-1	1	Assy - Handle Support & Pivot Bracket
80. C22800-2	1	Assy - Handle Support & Pivot Bracket
81. C22801	1	Assy - Axle & Plates
82. A20816	1	Decal
83. D22257	1	Handle
84. E22684	1	Tank, Tilt
85. B22820	1	Decal
86. A23299	2	Spacer
87. K3143	2	Wheel
88. B23301	1	Decal
89. K3148-816	4	Washer, Flat
90. K4252	4	Washer, Wave
91. K4770-14	4	Screw, Pan Hd.
92. K5854	2	Caster
93. K6016	4	Nut, Wing
94. K15752-14	10	Lockwasher
95. K15770-416	6	Washer, Flat
96. K15857	4	Nut, Hex
97. K15860-8	4	Screw, Pan Hd.
98. K15860-12	6	Screw, Pan Hd.
99. K15996	2	"E" Ring
100. K16493	2	Pin
101. K22866	2	Hole, Plug



**PUMP & HOUSING ASSEMBLY**  
**Assembly No. C22806**

PART NO.	QTY.	DESCRIPTION
40.	1	Assy - Housing & Weld Screws
41.	1	Assy - Pump & Terminals
42.	3	Wire, Green
43.	1	Wire, White
44.	1	Wire, Black
45.	2	Wire, White
46.	1	Wire, White
47.	2	Wire, Black
48.	1	Wire, Black
49.	10	Lockwasher
50.	10	Nut, Hex
51.	2	Nut, Wire
52.	1	Switch
53.	1	Elbow, 90°
54.	2	Nipple, Close
55.	1	Socket, Quick Coupler
56.	10	Screw, Pan Hd,
57.	4	Washer, Flat
58.	1	Receptacle, Male
59.	2	Receptacle, Female
60.	4	Nut, Flex-Loc
61.	1	Adapter, Barbed
62.	1	Grommet
63.	1	Screen, Bell
64.	4	Screw, Pan Hd.
65.	1	Clip, Tubing
66.	1	Tubing
75.	4	Washer, Flat
76.	4	Nut, Flex-Loc
77.	1	Power Cord

NOT INCLUDED IN  
PUMP & HOUSING ASSY.