



## Electronic Service Manuals

This electronic document is provided as a service to our customers. We do not create the contents of the information contained in this document. Should you have detailed questions pertaining to the information contained in this document, you may contact Michco, or the manufacturer which provided the original information in this electronic deliverable. Michco's only part in this electronic deliverable was the electronic assembly process.

You may contact Michco through the following methods:  
Phone (517) 484-9312 or (800) 331-3339 MI, OH, IN only  
2011 N. High St. -- Lansing, Michigan -- 48906  
Fax: (517) 484-9836  
Email: [CustServ@Michco.com](mailto:CustServ@Michco.com)  
Web site: [www.Michco.Com](http://www.Michco.Com)  
Parts Web site: [www.FloorMachineParts.Com](http://www.FloorMachineParts.Com)

Order Parts on Line at:  
**[www.FloorMachineParts.Com](http://www.FloorMachineParts.Com)**

Directly to Parts & Service:  
By Email: **[Shop@Michco.com](mailto:Shop@Michco.com)**  
By Fax: (517) 702-2041  
By Voice: Use numbers above.

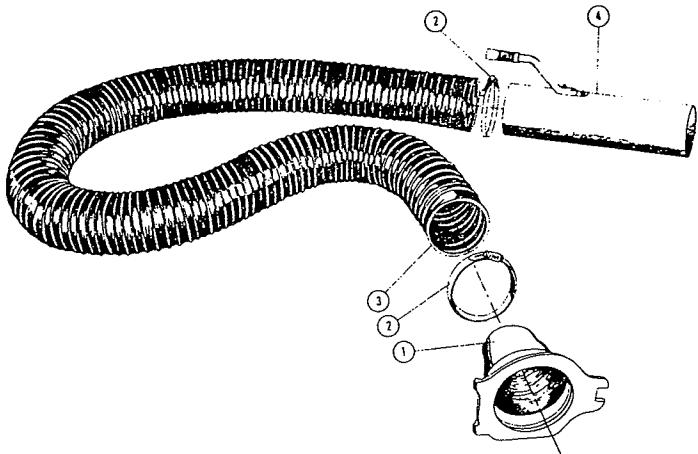
**Serving the Cleaning Industry Since 1922**

Notice: All copyrighted material remains property of original owners, all trademarks are property of respective owners. Manuals are subject to Manufacturer's reproduction limitations. Originals or reproductions were provided by manufacturers through a request. We make no warranty as to the correctness of information provided in this document and you assume all risk.

# Minuteman<sup>®</sup> Parker<sup>®</sup>

**VAC-35, 4"  
HOSE KIT**

**Part No.  
MA-622-D**



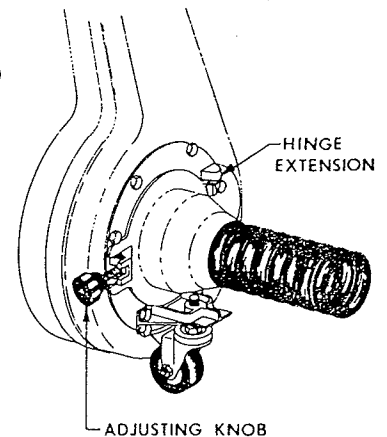
## PARTS LIST

Item	Part No.	Qty.	Description
1	70-95-D	1	Collar, Reduction
2	64-36-A	2	Clamp, Hose
3	78-141-A	1	Hose
4	SA-715-B	1	Extension Assembly

## ASSEMBLY INSTRUCTIONS

### TO ASSEMBLE HOSE KIT TO UNIT

1. Loosen Adjusting Knob on Front Cover Assembly and remove the standard collar.
2. Insert Hinge Bosses, on Reduction Collar (1), behind the Hinge Extensions or Hinge Rods on Front Cover Assembly.
3. Swing Collar (1) to lay flat against Front Cover Assembly.
4. Secure Flatwasher and Adjusting Knob over the Collar (1), and tighten Adjusting Knob.



## OPERATING INSTRUCTIONS

1. Follow the operating instructions of the unit, for engine speed, etc.
2. Care should be taken not to plug the hose by forcing too much debris into it at one time.
3. Stiff debris such as sticks and tree trimmings should not be picked up with the hose, as they may plug the hose.
4. If the hose becomes plugged, the engine must be shut off.
5. Remove hose from blower housing, remove all blockage from the hose and replace to blower housing before restarting engine.

# Parker<sup>®</sup>

**Parker Sweeper Company**  
A Division of Minuteman International, Inc.

111 South Rohlwing Road  
Addison, Illinois 60101  
Phone: (630) 627-6900  
Fax: (630) 627-1130