



Electronic Service Manuals

This electronic document is provided as a service to our customers. We do not create the contents of the information contained in this document. Should you have detailed questions pertaining to the information contained in this document, you may contact Michco, or the manufacturer which provided the original information in this electronic deliverable. Michco's only part in this electronic deliverable was the electronic assembly process.

You may contact Michco through the following methods:
Phone (517) 484-9312 or (800) 331-3339 MI, OH, IN only
2011 N. High St. -- Lansing, Michigan -- 48906
Fax: (517) 484-9836
Email: CustServ@Michco.com
Web site: www.Michco.Com
Parts Web site: www.FloorMachineParts.Com

Order Parts on Line at:
www.FloorMachineParts.Com

Directly to Parts & Service:
By Email: **Shop@Michco.com**
By Fax: (517) 702-2041
By Voice: Use numbers above.

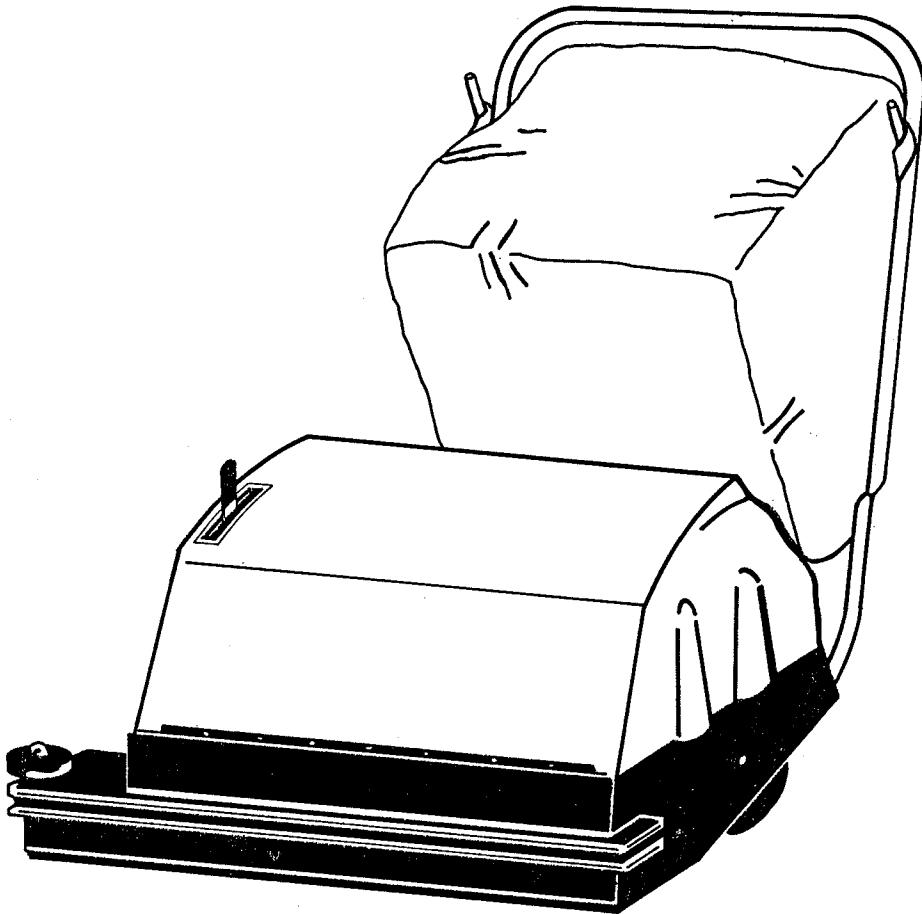
Serving the Cleaning Industry Since 1922

Notice: All copyrighted material remains property of original owners, all trademarks are property of respective owners. Manuals are subject to Manufacturer's reproduction limitations. Originals or reproductions were provided by manufacturers through a request. We make no warranty as to the correctness of information provided in this document and you assume all risk.

747 Wide Area Carpet Vacuum

Model: MC827968(Canada)
MC827969 115V
MC828237 230V

■ OPERATION ■ SERVICE ■ PARTS ■ CARE



Revised 6/00

Minuteman[®]

FOR COMMERCIAL USE ONLY

IMPORTANT SAFETY INSTRUCTIONS

When using an electrical appliance, basic precautions should always be followed, including the following:

READ ALL INSTRUCTIONS BEFORE USING

WARNING - To reduce the risk of fire, electric shock or injury:

- Do not leave appliance plugged in. Unplug from outlet when not in use and before servicing.

WARNING

To avoid electric shock, use indoors only.

- Never allow children or untrained adults to operate this equipment.
- Keep the area of operation clear of all persons, particularly small children, and pets. Keep bystanders at least 25 feet away from the area of operation.
- Use only as described in this manual. Use only manufacturer's recommended attachments.
- Do not use with damaged cord or plug. If appliance is not working as it should, has been dropped, damaged, left outdoors, or dropped into water, return it to a service center.
- Do not pull or carry by cord, use cord as a handle, close a door on cord, or pull cord around sharp edges or corners. Do not run appliance over cord. Keep cord away from heated surfaces.
- Do not unplug by pulling on cord. To unplug, grasp the plug, not the cord.
- Do not handle plug or appliance with wet hands.
- Do not put any object into openings. Do not use with any opening blocked; keep free of dust, lint, hair, and anything that may reduce air flow.
- Keep hair, loose clothing, fingers, and all parts of body away from openings and moving parts.
- Do not pick up anything that is burning or smoking, such as cigarettes, matches, or hot ashes.
- Do not use without dustbag and/or filters in place.
- Turn off all controls before unplugging.
- Use extra care when cleaning on stairs.
- Do not use to pick up flammable or combustible liquids such as gasoline or use in areas where they may be present.
- Connect to a properly grounded outlet only. See grounding instructions.

SAVE THESE INSTRUCTIONS

OPERATING INSTRUCTIONS

INSPECTION

Carefully unpack and inspect your machine for shipping damage. Each unit is tested and thoroughly inspected before shipment, and any damage is the responsibility of the delivering carrier who should be notified immediately. Read all instructions carefully before operating.

WARNING

To avoid electric shock, use indoors only.

- Electrical motors can cause explosions when operating near explosive materials or vapors. Do not operate this machine near flammable materials such as solvents, thinners, fuels, grain dust, etc.
- This machine is designed to operate on a standard 15 amp. 115 volt, 60 hz, AC circuit. Voltages below 105 volts AC or above 125 volts AC could cause serious damage to the motor.

ELECTRICAL - 115 Volt

This machine is designed to operate on a standard 15 amp. 115 volt, 60 hz, AC circuit. Voltages below 105 volts AC or above 125 volts AC could cause serious damage to the motor.

ELECTRICAL - 240 Volt

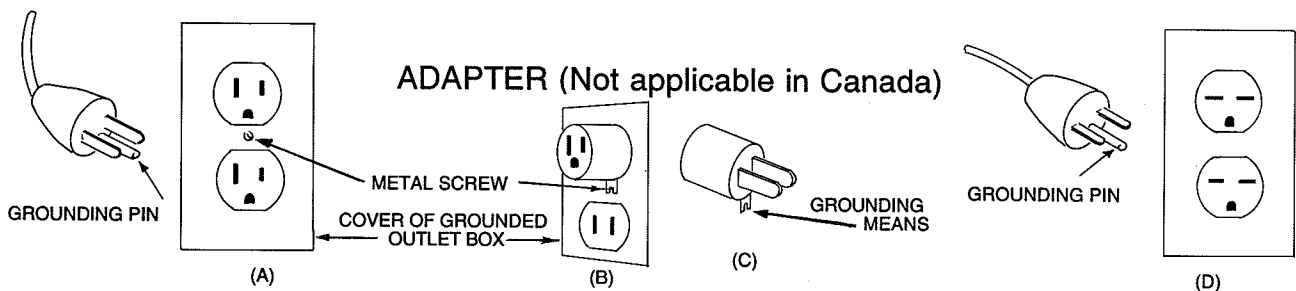
This machine is designed to operate on a standard 16 amp. type L fused 230 volt, 50 hz, AC circuit. Voltages below 200 volts AC or above 250 volts AC could cause serious damage to the motor. I.E.C. Class 1.

GROUNDING INSTRUCTIONS

To protect the operator from electrical shock, this machine must be grounded while in use. This machine is equipped with an approved three-conductor power cord and grounding type plug to fit the proper grounding type receptable.

This machine is for use on a nominal 120 volt circuit and has a grounding plug that looks like the plug illustrated in sketch A. Make sure that the machine is connected to an outlet having the same configuration as the plug. No adapter should be used with this machine.

For equipment rated 150-250 volts: If the machine is provided with an attachment plug as shown in sketch below, it is intended for use on a 240 volt (nominal circuit.) No adapter is available for this plug.



EXTENSION CORDS

Replace damaged or worn cords immediately. The table shows the correct size to use, depending on cord length and name plate amperage rating of machine. If in doubt, use the next heavier gauge. An undersized cord will cause a drop in line voltage, resulting in loss of power and over-heating. NOTE: the smaller the gauge number, the heavier the cord.

Recommended Minimum Gauge for Cord Extensions

Wire Gauge Chart A.W.G.					
Name Plate Amps.	Cord Length in Feet				
	120V	25	50	100	150
	240V	50	100	200	300
5-6		18	16	14	12
6-8		18	16	12	10
8-10		18	14	12	10
10-12		16	14	10	8
12-14		16	12	10	8

MAINTENANCE AND OPERATION INSTRUCTIONS FOR AV-747-A VACUUM CLEANER

Though the AV-747-A is designed primarily for use on carpet, it performs very well on hard surface floors. Sand, dust, paper and so forth are readily vacuumed from these floors. However, it is not recommended that this machine be used to vacuum metal slugs, metal shavings or similar type debris from floors, either carpeted or otherwise.

Inspect the AV-747-A carton for shipping damage when received. Report any damage to delivering freight carrier immediately.

OPERATING

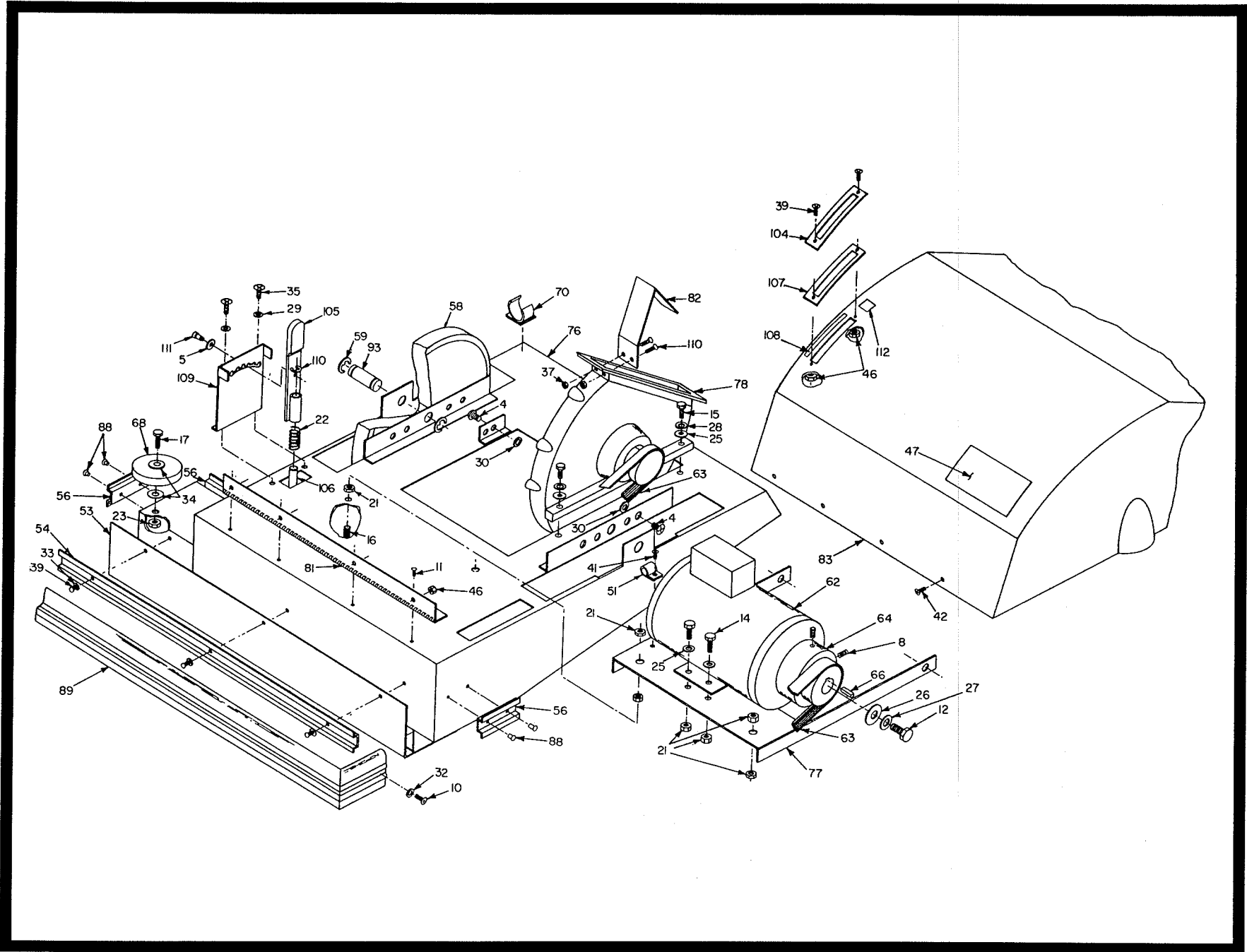
- a) Be sure the unit is used only on the voltage shown on nameplate.
- b) When starting the AV-747-A, push down slightly and momentarily on the handle. Doing this insures quick, easy starts, even when long pile carpets are being vacuumed.
- c) In general, carpets with short naps - such as indoor/outdoor carpeting - are best vacuumed with a setting of low, 2 or 3. Higher pile carpets are best cleaned with settings above 2. To adjust brush height, disengage the cam lever (on right side) from the machine base and position it in desired position. This handle is made to lock loosely in the positioning holes in the base.
- d) The rate at which an operator pushes the machine depends on the debris load, carpet nap length and type of debris. In areas where large amounts of "tracked in" sand are present, carpets should be vacuumed with a double pass - that is a forward and backward pass made without turning the machine around at the end of one pass. A slow, moderate walk pace by an operator, normally suffices to give good cleaning results.
- e) The filter bag should be kept clean. When it contains 15-20 pounds of normal debris, it is ready for cleaning. To clean, release bag clamp and remove from machine and empty.
- f) When storing, the handle may be folded over the cover. Two screws with wing nuts need to be removed from the handle assembly when it is put in this folded position.

MAINTENANCE

- a) Keep filter bag clean.
- b) A drop of number 30 oil should be applied to the caster bearings and main wheel axles, two or so times a year.
- c) To replace brush, remove brush drive belt from motor pulley by rotating motor shaft by hand and pulling outwardly on belt. Then, tip machine over on its top or side (hold motor mount assembly in position when tipping or turning over); remove the sheet metal guard covering the brush pulley. Use two small wrenches to simultaneously remove brush axle screws on each side of frame, and slip brush out of brush cavity. Remove screws, axle, pulley and bearing end caps from brush.

NOTE: Inspect and replace the brush bearing, if necessary, at the time of reassembly. When remounting end caps be sure to press them squarely into the machined brush ends. Note: Be sure to line up holes in caps and brush before pushing caps all the way into the brush core. After caps are lined up and pressed in squarely, tighten cap screws securely. All parts can now be reassembled. Turn both axle screws in brush axle at the same time for ease of installation. Also, be sure brush belt is on brush before putting brush in brush cavity. After brush axle screws are securely tightened, line up belt on brush pulley and then work the other end of the belt for tightness - it should be snugly tight, not taught. Adjust tightness, when necessary, by adjusting screw heights on front of motor mount platform. Check for tightness on fan belt also. If this belt is too loose, move motor toward front of machine by loosening motor mount screws and sliding motor on forward. Be sure motor is at right angles (square) with belts, then tighten mount screws. Recheck tightness of brush belt - adjust again, if necessary. Reassemble other parts and unit is ready for use.

- d) When the filter bag is removed for cleaning (or replacement) be sure unit is disconnected from power source. It is good policy to inspect the fan to see if it has become fouled with debris such as string, wire and so forth.
- e) Periodically inspect the brush to determine whether it has become fouled with string, wire or similar debris.

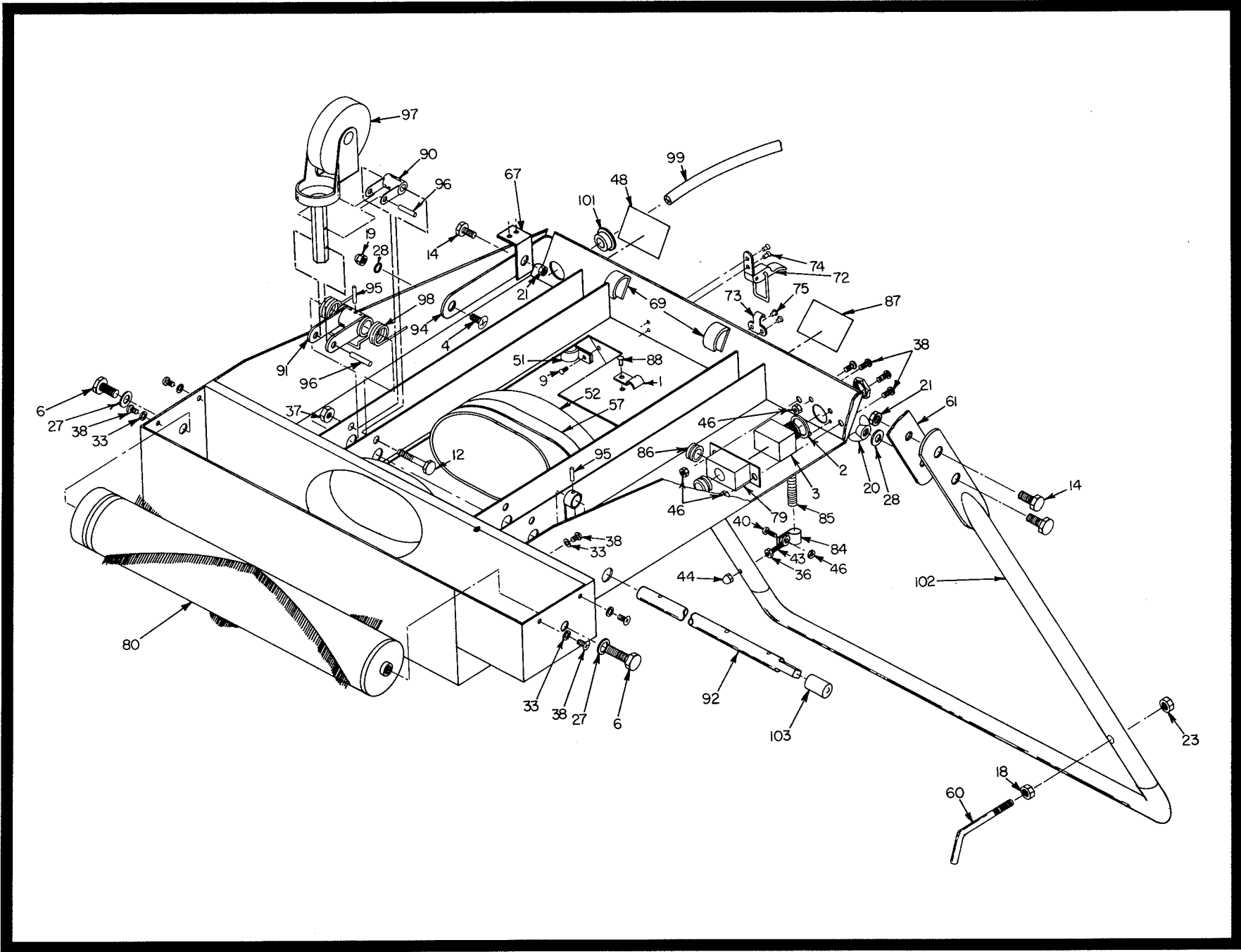


PARTS LIST

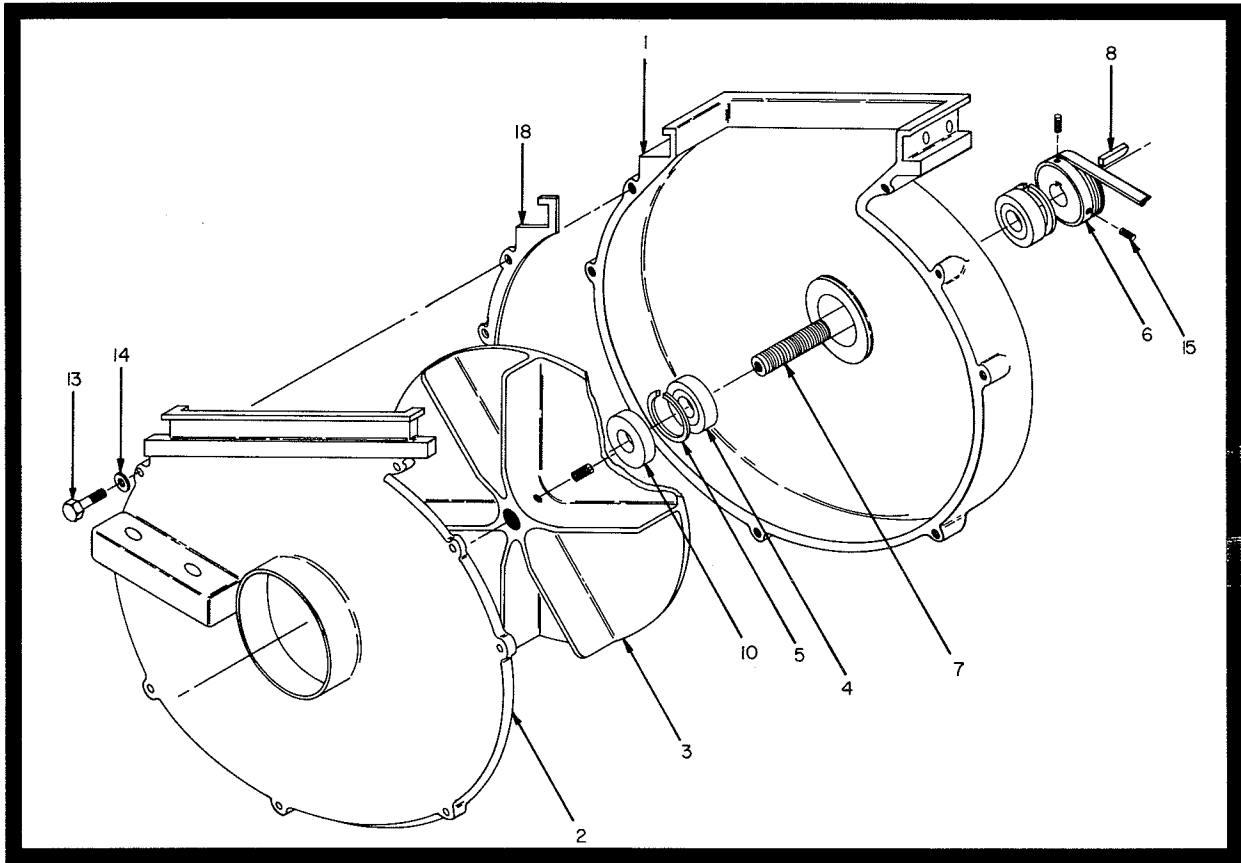
Item No.	Part No.	Qty.	Description	Item No.	Part No.	Qty.	Description
1	1219	1	Clip Axle	59	808756	4	E Ring
2	601056	1	Ring Lock	60	808758	2	Mount Bracket
3	601163	1	Switch Assembly	61	808760	1	Handle Bracket
4	710195	4	SCR-MC 5/16-18 x .50	62	808766	1	Motor, 115V, 60 hz
5	711599	1	Flatwasher	62A	832812	1	Motor, 230V, 50 hz
6	710755	2	SCR-MC 1/4-20 x .50	62B	808115	1	Brush Motor, 1 hp (Canada)
7	710776	1	SCR-MC 5/16-18 x 2.25	63	808767	2	Multi V Belt
8	711016	2	SCR-SK 1/4-20 x .50	64	808776	1	Motor Pulley
9	711114	1	SCR-ST-A 8 x .50	65	808785	1	Motor Cord
10	711115	1	SCR-ST-A 8 x .62	66	827703	1	Key
11	711141	4	SCR-ST-F 10-24 x .50	67	808803	2	Brkt. Hold Down
12	711221	3	BLT-HH 1/4-20 x 2.25	68	808829	1	Wheel, Truck
13	711227	2	BLT-HH 5/16-18 x .62	69	809443	2	Clip Cord
14	711228	10	BLT-HH 5/16-18 x .75	70	809444	2	Clip Cord
15	711231	4	BLT-HH 5/16-18 x 1.25	72	827664	1	Latch
16	710776	2	BLT-HH 5/16-18 x 2.50	73	827665	1	Strike
17	711276	1	BLT-HH 3/8-16 x 1.75	74	827666	2	Rivet Pop
18	711328	2	Nut-Hex 3/8-16	75	829214	4	Rivet
19	711359	2	Nut-Acorn 5/16-18BR	76	827855	1	Base Weld
20	711366	2	Nut-Wing 5/16-18	77	827873	1	Mount Motor
21	711379	15	Nut-Flanged Wizz 5/16-18	78	827880	1	Fan Assembly
22	833929	1	Compression Spring	79	827890	1	Box Switch
23	711439	5	Nut-Flanged Wizz 3/8-16	80	827892	1	Brush
24	711503	2	WSR-Flat #10	81	827906	1	Hinge Base
25	711506	8	WSR-Flat 5/16 ST PL	82	827912	1	Baffle
26	711516	1	WSR-Flat .31 x 1.25 x .05	83	927973	1	Cover Base
27	711535	3	WSR-Helical .26 x .50 x .02	84	827998	1	Clamp
28	711540	10	WSR-Helical .32 x .62 x .03	85	827999	1	Spring
29	711544	2	WSR-Helical 1/4	86	828596	2	Grommet
30	711575	2	WSR-Flat .31 x .75 x .06	87	828778	1	Label Caution
31	712064	4	SCR-Wood FH 9 x 1.50	88	828893	6	Rivet Pop
32	712300	1	WSR-Finish #8	89	829182	1	Bumper Assembly
33	712307	17	WSR-Helical .20 x .37	90	829184	2	Caster Pivot
34	712317	2	WSR-Flat .41 x .81 x .06	91	819186	2	Caster Brkt.
35	712565	2	SCR-MC 1/4-20 x .62	92	829187	1	Shaft
36	712635	1	Nut-Hex 10-24	93	829202	2	Axle Rear
37	712667	4	Nut-Hex 1/4-20	94	829205	1	Brkt. Handle
38	712810	4	SCR-MC 10-24 x .37	95	829296	3	Roll Pin 1/4 x 7/8
39	712811	13	SCR-MC 10-24 x .50	96	829297	4	Roll Pin 1/4 x 1 1/4
40	712812	1	SCR-MC 10-24 x .62	97	829299	2	Swivel Caster
41	712813	1	SCR-MC 10-24 x .75	98	829310	2	Spring
42	712822	4	SCR-THMS 10-24 x .50	99	829880	1	Cord 75 ft.
43	712825	1	BLT-Eye 10-24 x 1.50	*100	830786	1	Bag, Cloth
44	712904	1	Nut-Acorn 10-24	101	832206	1	Strain Relief
45	712905	1	Nut-Hex 10-24	102	832963	1	Handle
46	712908	12	Nut-Flanged Wizz 10-24	103	833472	1	End Cap
47	715005	1	Decal, Minuteman	104	833695	1	Cover Plate
48	715029	1	Decal, Serial Name Plate	105	833928	1	Handle Adj.
49	740015	3	Term, Ring #10	106	833926	1	Mount Handle Adj.
51	808697	2	Clamp Cord	107	833699	1	Gasket Handle
52	808706	1	Blower Hose	108	715506	1	Decal Handle Adj.
53	752001	1	Brush Plate	109	833927	1	Adj. Plate
54	808720	1	Bumper Clip	110	808778	1	E-Ring
*55	830557	2	Doortight (ft.)	111	832448	1	Shoulder Screw
56	808737	2	Bumper Clip	112	715504	1	Decal, Disengage
57	808744	2	Hose Clamp	*XX	829277	1	Paper Liner Bag
58	827871	2	Wheel				

* Not Shown

Diagrams for above part numbers on Pages 5 and 7.



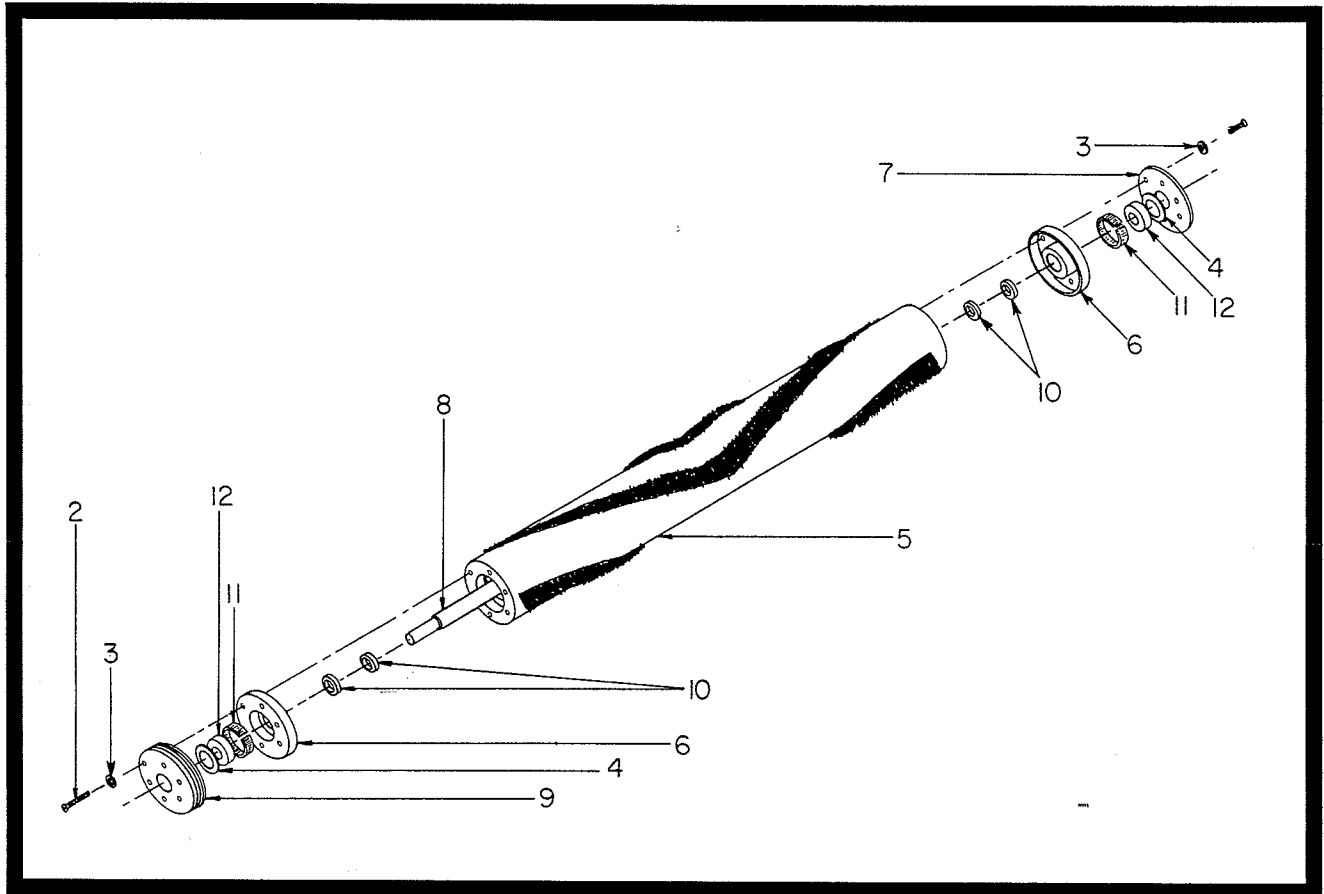
Fan Assembly No. 827880



PARTS LIST

Item	Part No.	Qty.	Description
1	827881	1	Housing, Fan (bottom)
2	827883	1	Housing, Fan (top)
3	808724	1	Fan
4	801535	2	Bearing Ball
5	808733	2	Ring, Retaining
6	808734	1	Pulley, Fan
7	829183	1	Shaft, Bearing
8	808821	1	Key
10	829285	1	Spacer
13	710751	7	Screw (1/4 - 20 - 3/4) 811441)
14	711536	8	Lock Washer (1/4 STD) (811889)
15	711015	8	Screw, Set (#10 - 24 x 3/8) (812006)
18	827885	1	Gasket, Housing

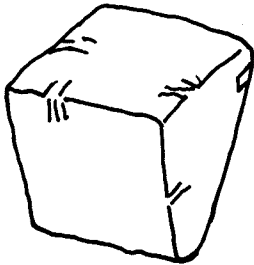
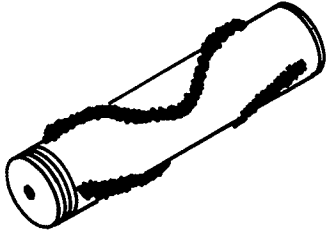
Brush Assembly No. 827892



PARTS LIST

Item	Part No.	Qty.	Description
2	711162	12	Screw (#10 x 1 1/4)
3	711553	12	Washer, Helical .20 x .37
4	712318	2	Flat Washer (1 1/8 OD x 3/4 x 1/8) (812121)
5	827893	1	Nylon Tynex Brush Core
6	827894	2	Cup, Bearing
7	827896	1	Cover, Bearing
8	827897	1	Shaft, Brush
9	827898	1	Pulley, Brush
10	827903	4	Washer, Bellville
11	828145	2	Ring, Retaining
12	828588	2	Bearing

Optional Accessories

	<p>831641 Cloth Bag w/Zipper 829277 Paper Bag Liner</p>
	<p>827892 Nylon Tynex Brush Asy. 827893 Nylon Tynex Brush Core 830721 Static-Free Brush Asy. 828927 Static-Free Brush Core</p>

LIMITED WARRANTY

Minuteman International, Inc. warrants to the original purchaser/user that this product is free from defects in workmanship and materials under normal use and service for a period of three years from date of purchase. In addition, Minuteman International, Inc. will, at its option, honor labor warranty claims for the first 12 months from date of sale, provided such claims are submitted through and approved by factory authorized repair stations. Minuteman International, Inc. will, at its option, repair or replace without charge, except for transportation costs, parts that fail under normal use and service when operated and maintained in accordance with the applicable operation and instruction manuals.

This warranty does not apply to normal wear, or to items whose life is dependent on their use and care, such as belts, cords, switches, hoses, rubber parts, electrical motor components or adjustments. Parts not manufactured by Minuteman International, Inc. such as engines, batteries, battery chargers, hydraulic pumps, and tires are covered by and subject to the warranties and/or guarantees of their manufacturers. Please contact Minuteman International, Inc. for procedures in warranty claims against these manufacturers.

Special warning to purchaser -- Use of replacement filters and/or prefilters not manufactured by Minuteman International, Inc. or its designated licensees, will void all warranties expressed or implied.

A potential health hazard exists without exact original equipment replacement.

All warranted items become the sole property of Minuteman International, Inc. or its original manufacturer, whichever the case may be.

Minuteman International, Inc. disclaims any implied warranty, including the warranty of merchantability and the warranty of fitness for a particular purpose. Minuteman International, Inc. assumes no responsibility for any special, incidental or consequential damages.

This limited warranty is applicable only in the U.S.A. and Canada, and is extended only to the original user/purchaser of this product. Customers outside the U.S.A. and Canada should contact their local distributor for export warranty policies. Minuteman International, Inc. is not responsible for costs or repairs performed by persons other than those specifically authorized by Minuteman International, Inc. This warranty does not apply to damage from transportation, alterations by unauthorized persons, misuse or abuse of the equipment, use of non-compatible chemicals, or damage to property, or loss of income due to malfunctions of the product.

If a difficulty develops with this machine, you should contact the dealer from whom it was purchased.

This warranty gives you specific legal rights, and you may have other rights which vary from state to state. Some states do not allow the exclusion or limitation of special, incidental or consequential damages, or limitations on how long an implied warranty lasts, so the above exclusions and limitations may not apply to you.

Minuteman[®]

World Headquarters
Minuteman International, Inc.
111 South Rohlwing Road
Addison, Illinois 60101

(630) 627-6900
FAX (630) 627-1130

Minuteman Canada, Inc.
2210 Drew Road
Mississauga, Ontario
L5S 1B1

(905) 673-3222
FAX (905) 673-5161

987839
Printed in U.S.A.