



Electronic Service Manuals

This electronic document is provided as a service to our customers. We do not create the contents of the information contained in this document. Should you have detailed questions pertaining to the information contained in this document, you may contact Michco, or the manufacturer which provided the original information in this electronic deliverable. Michco's only part in this electronic deliverable was the electronic assembly process.

You may contact Michco through the following methods:
Phone (517) 484-9312 or (800) 331-3339 MI, OH, IN only
2011 N. High St. -- Lansing, Michigan -- 48906
Fax: (517) 484-9836
Email: CustServ@Michco.com
Web site: www.Michco.Com
Parts Web site: www.FloorMachineParts.Com

Order Parts on Line at:
www.FloorMachineParts.Com

Directly to Parts & Service:
By Email: **Shop@Michco.com**
By Fax: (517) 702-2041
By Voice: Use numbers above.

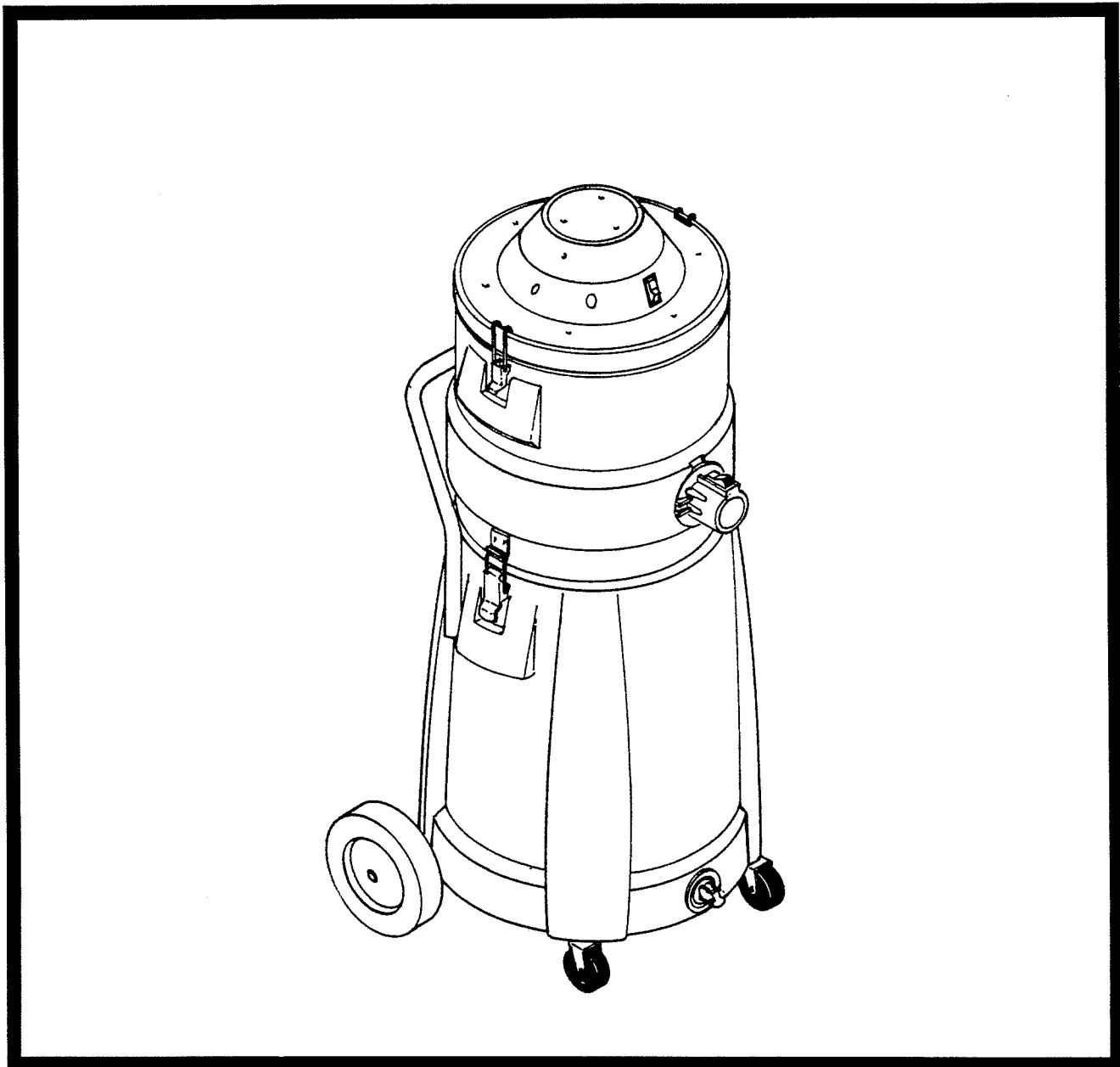
Serving the Cleaning Industry Since 1922

Notice: All copyrighted material remains property of original owners, all trademarks are property of respective owners. Manuals are subject to Manufacturer's reproduction limitations. Originals or reproductions were provided by manufacturers through a request. We make no warranty as to the correctness of information provided in this document and you assume all risk.

**X839
Asbestos
Vacuum
Series**

Model No: C83985-16, 21 - 115V
C83905-16, 21 - 115V
C83930-16, 21 - 115V
C83985-15, 20 - 240V
C83905-15, 20 - 240V
C83930-15, 20 - 240V

■ OPERATION ■ SERVICE ■ PARTS ■ CARE



Revised 12/96

Minuteman[®]

FOR COMMERCIAL USE ONLY

IMPORTANT SAFETY INSTRUCTIONS

When using an electrical appliance, basic precautions should always be followed, including the following:

READ ALL INSTRUCTIONS BEFORE USING

WARNING - To reduce the risk of fire, electric shock, or injury:

- Do not leave appliance when plugged in. Unplug from outlet when not in use and before servicing.

WARNING

To reduce the risk of electrical shock - Do not expose to rain. Store indoors.

- Do not allow to be used as a toy. Close attention is necessary when used by or near children.
- Use only as described in this manual. Use only manufacturer's recommended attachments.
- Do not use with damaged cord or plug. If appliance is not working as it should, has been dropped, damaged, left outdoors, or dropped into water, return it to a service center.
- Do not pull or carry by cord, use cord as a handle, close a door on cord, or pull cord around sharp edges or corners. Do not run appliance over cord. Keep cord away from heated surfaces.
- Do not unplug by pulling on cord. To unplug, grasp the plug, not the cord.
- Do not handle plug or appliance with wet hands.
- Do not put any object into openings. Do not use with any opening blocked; keep free of dust, lint, hair, and anything that may reduce air flow.
- Keep hair, loose clothing, fingers, and all parts of body away from openings and moving parts.
- Do not pick up anything that is burning or smoking, such as cigarettes, matches or hot ashes.
- Do not use without dustbag and/or filters in place.
- Turn off all controls before unplugging.
- Use extra care when cleaning on stairs.
- Do not use to pick up flammable or combustible liquids such as gasoline or use in areas where they may be present.
- Connect to a properly grounded outlet only. See grounding instructions.

SAVE THESE INSTRUCTIONS

INSPECTION

Carefully unpack and inspect your machine for shipping damage. Each unit is tested and thoroughly inspected before shipment, and any damage is the responsibility of the delivery carrier who should be notified immediately.

ELECTRICAL - 115 Volt

This machine is designed to operate on a standard 15 amp. 115 volt, 60 hz, AC circuit. Voltages below 105 volts AC or above 125 volts AC could cause serious damage to the motor.

ELECTRICAL - 240 Volt

This machine is designed to operate on a standard 16 amp. type L fused 230 volt, 50 hz, AC circuit. Voltages below 200 volts AC or above 250 volts AC could cause serious damage to the motor. I.E.C. Class I.

WARNING

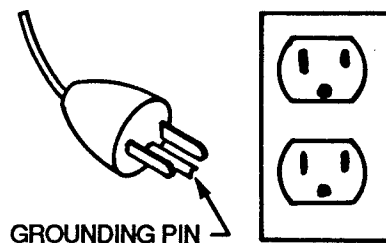
Electric motors can cause explosions when operated near explosive materials or vapors. Do not operate this machine near flammable materials such as solvents, thinners, fuels, grain dust, etc.

GROUNDING INSTRUCTIONS

This appliance must be grounded. If it should malfunction or breakdown, grounding provides a path of least resistance for electric current to reduce the risk of electric shock. This appliance is equipped with a cord having an equipment-grounding conductor and grounding plug. The plug must be plugged into an appropriate outlet that is properly installed and grounded in accordance with all local codes and ordinances.

DANGER - Improper connection of the equipment-grounding conductor can result in a risk of electric shock. Check with a qualified electrician or service person if you are in doubt as to whether the outlet is properly grounded. Do not modify the plug provided with the appliance -- if it will not fit the outlet, have a proper outlet installed by a qualified electrician.

This appliance is for use on a nominal 120-volt circuit and has a grounding plug that looks like the plug illustrated in sketch A below. Make sure that the appliance is connected to an outlet having the same configuration as the plug. No adapter should be used with this appliance.



SKETCH A

USER MAINTENANCE INSTRUCTIONS

All service and repair should be performed by a qualified vacuum service representative or electrician. No user serviceable components are employed in the electrical vacuum lid head assembly. No lubrication of the motor is required.

CLOTH BAG & HOSE ASSY

Cloth bag and hose assy. are user maintenance items and can be replaced when worn out. Cloth bags can be maintained by blowing dust off of the bag and then laundered. Cloth bags should be completely dried before re-installing into machine. For optimum performance, empty and clean filter bag regularly. A clogged and dirty bag restricts the flow of air and results in reduced vacuum. The Hose Assy. can be maintained by wiping off with a dampened cloth of mild liquid soap and water, then allowed to dry.

CORD STORAGE

While not in use storage can be accomplished by winding cord around motor lid assy. Cord should be completely unwound from Lid Assy. during operation.

- Do not use with damaged cord or plug. If appliance is not working as it should, has been dropped, damaged, left outdoors, or dropped into water, return to service center.
- Do not pull or carry by cord, use cord as handle, close a door on cord, or pull cord around sharp edges or corners. Do not run appliance over cord. Keep cord away from heated surfaces.
- Do not unplug by pulling cord. To unplug, grasp the plug, not the cord.
- Do not handle plug or appliance with wet hands.
- Always unplug the machine when removing the head off the tank. This equipment should be stored indoors and not exposed to rain.

TANK/FILTER SET-UP PROCEDURE

Refer to Page 6

1. When using the poly adapter for dry pick-up follow the described procedures below for poly 6 mil. bag installation.
 - A. Insert poly bag into tank assembly draping all excess bag height over the edge of tank. Fully open bag inside tank to ensure that the bag is not bunched up and fully extended to the bottom of tank.
 - B. Depending on the weight of the dry material being recovered, it may be necessary to slit the poly bag 2" horizontally approximately 2" down from the top of the tank. This will stop the poly bag from closing in on the bottom on the poly adapter. After filling the bag tie off bag below slit and remove from tank.
2. Install poly 1:1 adapter (4) on top of tank asy. (6) as shown and snap tank latches.
3. Install filter protector (3) over cloth filter (2) and place in poly 1:1 adapter (4).
4. Position vacuum motor lid asy. (1) on top of poly 1:1 adapter and snap lid latches in place.
5. For proper cleaning of tank and removal/changing of filters, see procedure for removing contaminated filters and for cleaning of contaminated tank. (Page 5)

PROCEDURE FOR REMOVING CONTAMINATED FILTERS AND FOR CLEANING OF CONTAMINATED TANK

For the benefit of your health, you should always wear a face mask approved for use with asbestos any time you are using or cleaning this vacuum cleaner. You should also wear gloves.

1. Unplug machine from power source.
2. Carefully and slowly remove lid only (be sure you have not accidentally lifted the cloth filter bag at the same time). Set the lid/filter assembly aside.
3. Gently tap the inside of the cloth bag to loosen any particles that may be on the opposite surface. Do this all around the inside surface of the bag.
4. Gently remove cloth bag and set aside.
5. Remove filter protector from poly 1:1 and place in plastic bag marked "Hazardous Materials."
6. Using a wiping cloth, dampened with water (not soaking wet), wipe down all of the exposed surfaces inside of the poly 1:1, put cloth aside-do not discard.
7. Remove poly 1:1 adapter and wipe down bottom side of poly adapter.
8. Tie off poly bag inside tank and remove. Wipe down inside of tank and dispose of cloth.

CHANGING THE PINK IMPACTION PREFILTER

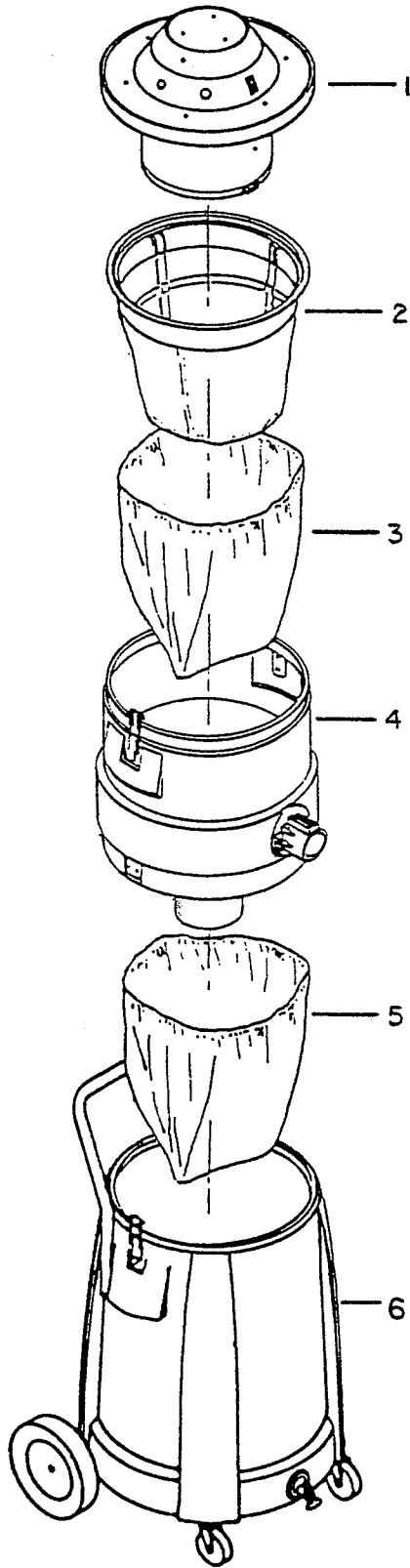
Refer to Item No. 37, Page 7

The pink impaction filter should be changed, using all of the precautions previously mentioned. The impaction filter should be changed when any of the following takes place:

1. Anytime there is an indication of a filter tear during normal operation of the unit. This tear could be in any of the filters used.
 - A. Paper dust containment bag.
 - B. Paper bag protector.
 - C. Cloth filter bag.These tears would show up during the tank clean-out procedure, or. . . .
2. Every other tank clean-out period.

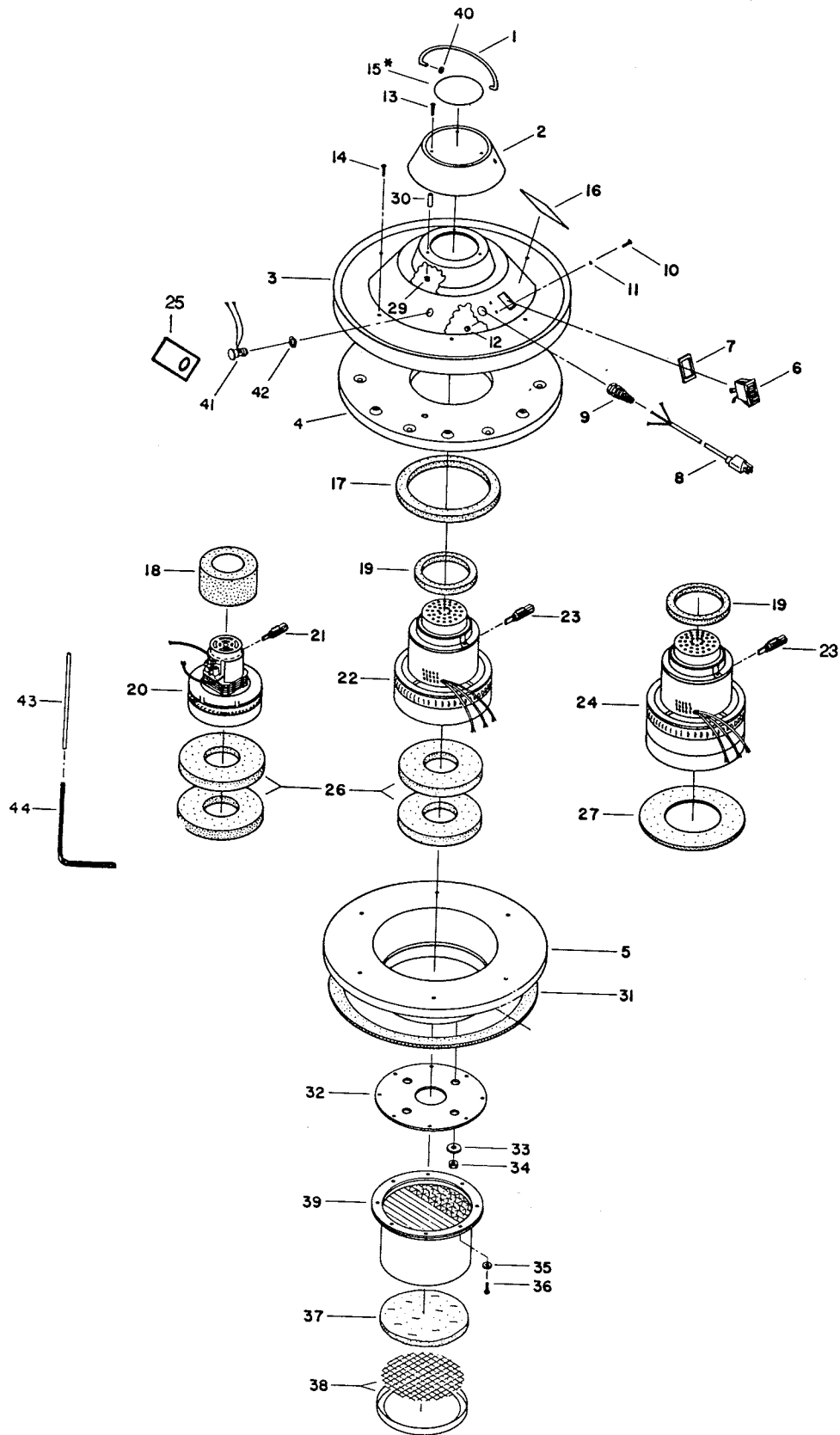
To change the impaction filter, do the following:

 - A. Wipe down all of the exposed surfaces on the underside of the removed lid, using the dampened wiping cloth.
 - B. Carefully unclamp filter retainer from the side of the filter. Set the retainer aside.
 - C. Remove the impact filter from the high efficiency filter. Be careful so as not to damage or puncture the media used in the final filter. Do not attempt to clean the pink impact filter in any way; dispose of by placing it into the tank you are now in the process of cleaning. **DO NOT USE ANY TOOLS TO REMOVE THE IMPACT FILTER.**
 - D. Before proceeding any further in cleaning the tank, first place a new impact filter (one only) onto the H.E.P.A. filter. Replace the impact retainer and lock it into place by reclamping.



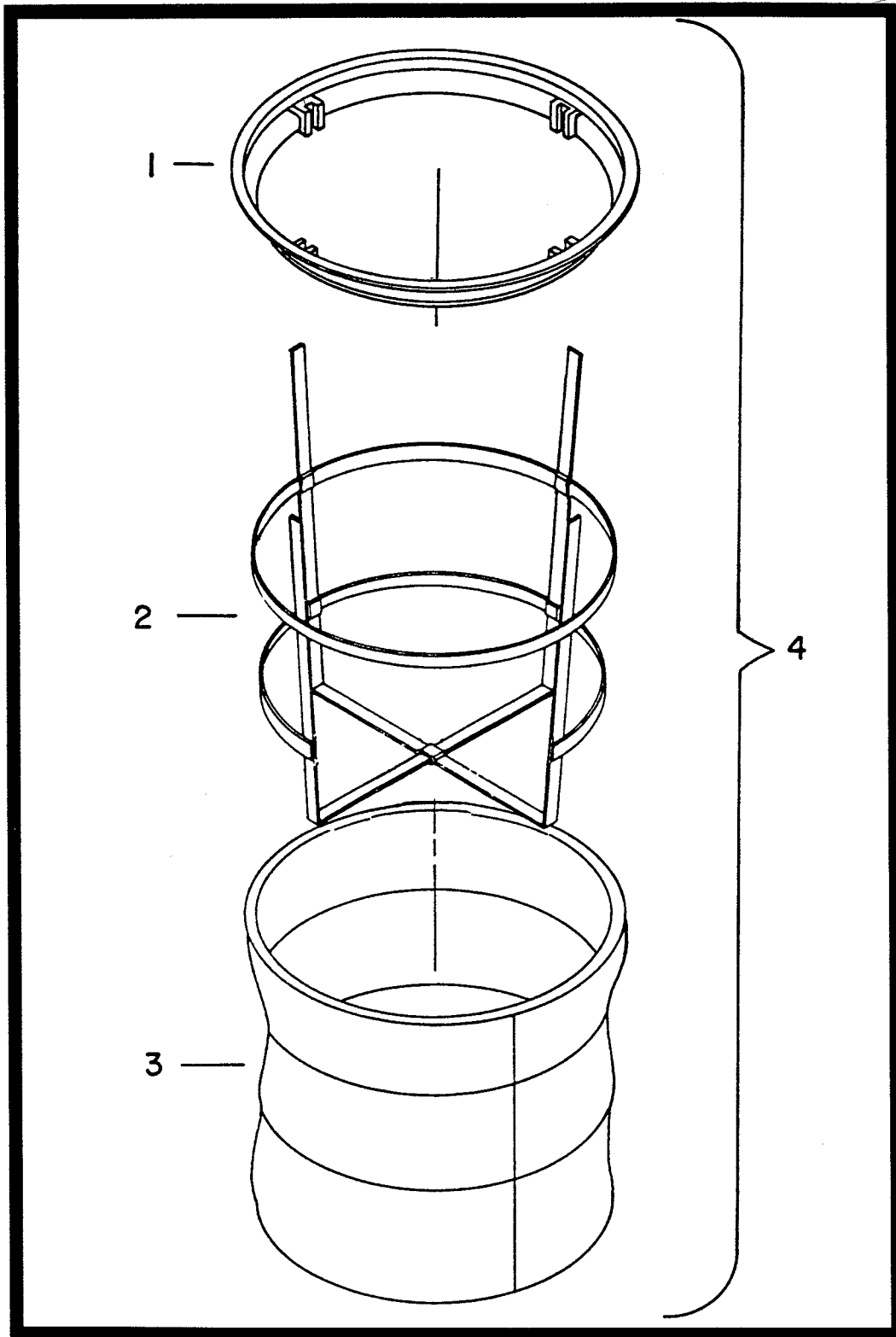
POLY TANK WITH 1:1 ADAPTER

1. Motor Lid Assembly
2. Cloth Filter with Frame
3. Filter Protector
4. 1:1 Poly Adapter
5. Plastic Liner for Top Fill Dry Pickup
6. 15/20 Gallon Poly Tank

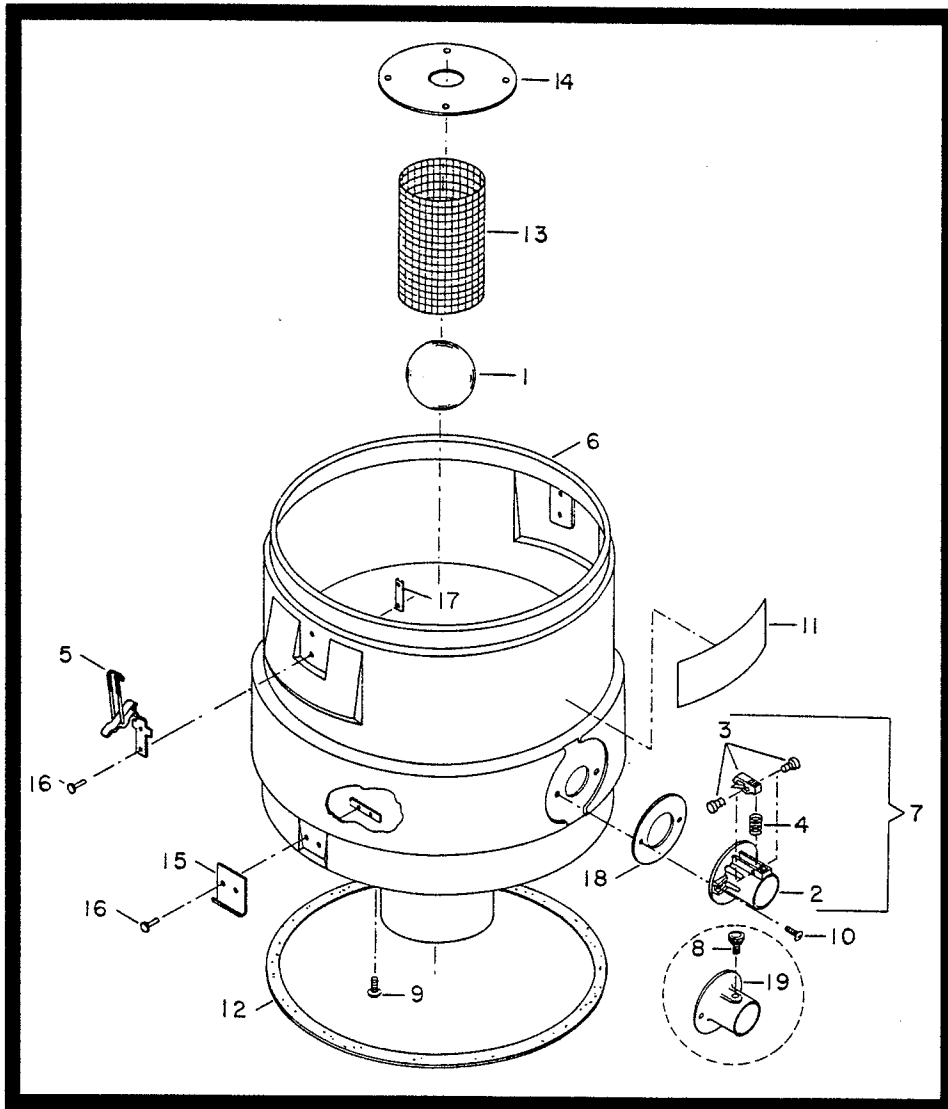


VAC HEAD ASSEMBLY

Item	Part No.	Qty.	Description
1	760899	1	Handle Bail
2	760898PLT	1	Cap, Motor
3	760897PLT	1	Cover, Motor
4	760902	1	Motor Hold Down P/V HEPA
5	760903	1	Motor Lid Assembly P/V HEPA
6	809754	1	Switch, Rocker
7	831543	1	Gasket, Diecut Switch
8	381020	1	Orange Cord Set 16-3, 50'
8A	740600	1	Power Cord, International
9	833237	1	Stain Relief
10	710355	2	SCR-MC 10-32 x .50 ST PL
11	711553	3	WSR-Internal Lock #10
12	711310	2	Nut-Hex 10-32 ST PL
13	712823	3	SCR-THMS 10-24 x 1.00 ST PL
14	711129	6	SCR-ST-B 10 x 1.00 PL
15	715102	1	Decal, P/V HEPA 85
	715103	1	Decal, P/V HEPA 105
	715104	1	Decal, P/V HEPA 130
16	715115	1	Decal, Diecut Warning
17	831478	1	Gasket, NEOP 6 x 7.5 x .37
18	380064	1	Ring, Foam
19	831484	1	Gasket, 3.5 x 4.5 x .31
20	380001	1	Vacuum Motor, Bypass 115V-85
20A	380054	1	Vacuum Motor, Bypass 240V-85
21	380028	2	Brush, Carbon - 85
22	255039	1	Vacuum Motor, Bypass 115V-105
22A	255040	1	Vacuum Motor, Bypass 240V-105
23	255008	2	Brush, Carbon - 105/130
24	831524	1	Vacuum Motor, 3-Stage 115V - 130
24A	831526	1	Vacuum Motor, 3-Stage 240V-130
25	715069	1	Decal Diecut Check Filter
26	828995	2	Gasket, NEOP 2.5 x 6 x .62
27	831626	1	Gasket 4 x 7.37 x .250
29	712908	3	Nut-Flanged Wizz 10-24
30	831652	3	Spacer
31	760900	1	Lid, Gasket .12 x .75 50" PS
32	110012	1	Plate, Mounting (110010)
	110003	1	Plate, Mounting (110001)
33	711519	4	WSR-Flat .25 x 1.01 x .06
34	711373	4	Nut-Nyloc 1/4-20
35	711552	8	WSR-Internal Lock #8
36	710328	8	SCR-MC 8-32 x .37 ST PL
37	110121PKG	1	Impact Filter Sm. Rd. Pkg.
	703007PKG	1	Impact Filter Lg. Rd. Pkg.
38	750006	1	Retainer Impact Assy. Comp. (110010)
	750011	1	Impact Filter Assy. (110001)
39	110010	1	HEPA Filter Copolm (801085)
	110001	1	HEPA Filter Copolm (801105, 801130)
40	805073	2	Pin, Cotter
41	740088	1	Vac Light Sensor Switch
42	711715	1	Retaining Ring - Ext. .75
43	760212	1	Vac Sensor Tube
44	760213	1	Venturi Tube
***	801085		Lid Assy. Comp. (85)
***	801105		Lid Assy. Comp. (105)
***	801130		Lid Assy. Comp. (130)
***	801080		Lid Assy. Comp. (85) 240V
***	801106		Lid Assy. Comp. (105) 240V
***	801131		Lid Assy. Comp. (130) 240V

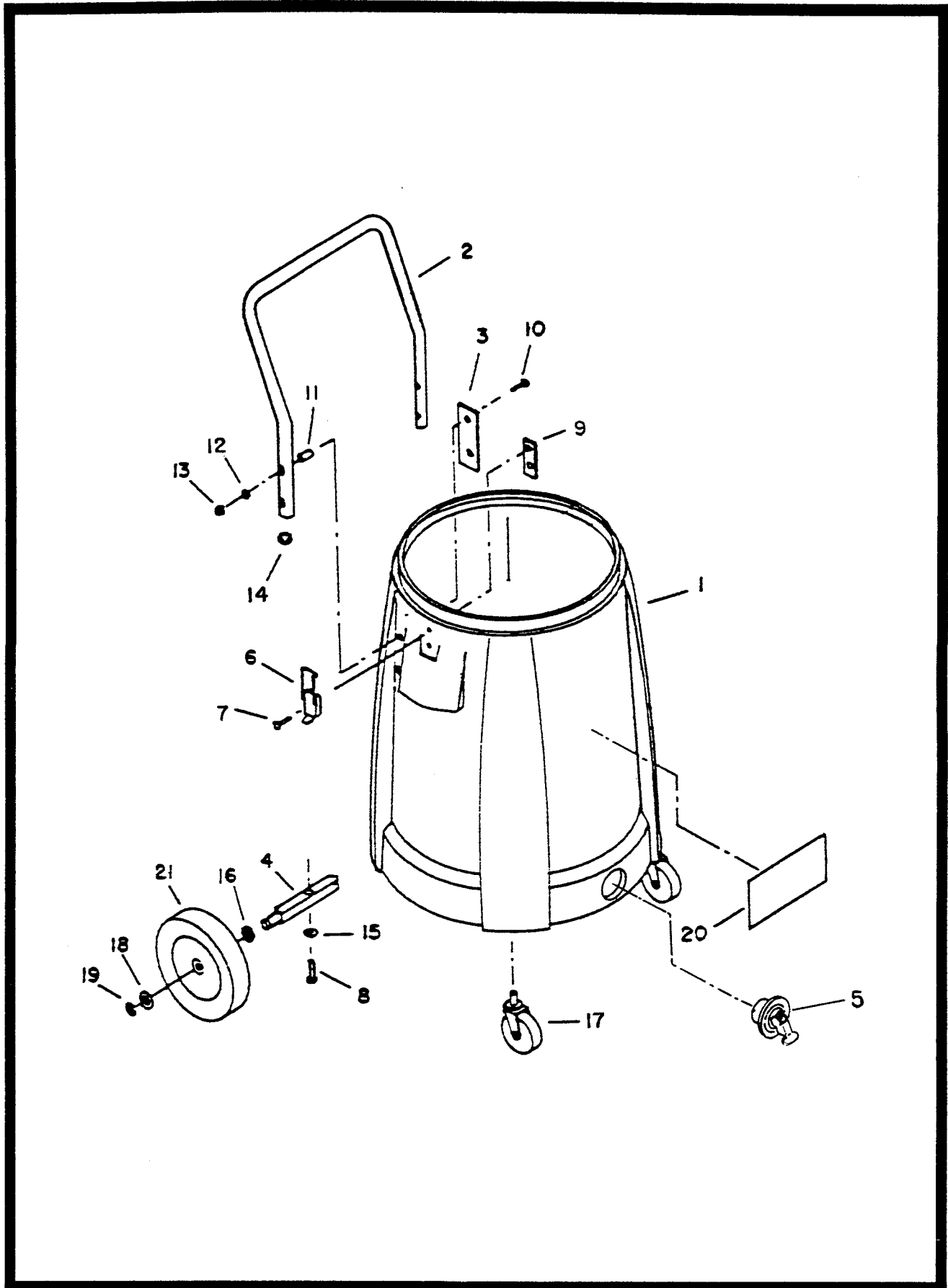


ITEM NO.	PART NO.	QTY	DESCRIPTION
1	760131	1	Molded bag ring
2	750097	1	Bag frame
3	805054	1	Cloth bag only
4	805057	1	Bag asy. complete



PARTS LIST


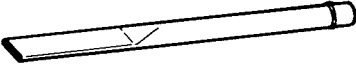
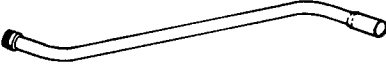
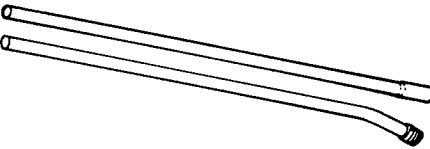
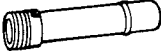


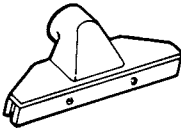
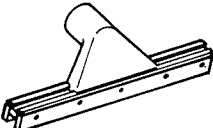
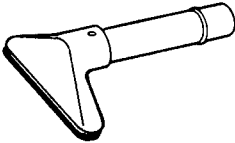
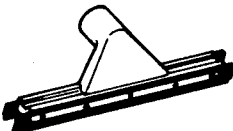
Item	Part No.	Qty.	Description
1	380046	1	Ball, Float
2	390000	1	Injection Molded 2" Intake
3	390001	1	Molded Trigger with Pins
4	390002	1	Return Spring
5	390035	2	Latch 390 Series
6	390037	1	Adapter 1:1 Poly
7	390100	1	Intake Assembly Complete
8	500033	1	Locking Screw
9	712565	4	SCR-MC 1/4-20 x .62 SS
10	712530	2	SCR-MC 10-24 x .62 SS
11	715002	1	Decal-LG, Hako Minuteman
12	390088	1	Gasket PS Back 1:1 Poly
13	800421	1	Filter Insert Screen
14	800422	1	Liquid Shutoff Plate
15	800423	2	Latch Plate
16	828893	8	Rivet Pop
17	833831	4	Clamp Back Plate
18	390087	1	Gasket Diecut Poron Intake
19	900112POL	1	Intake Polished Hi Intake
****	800420		Adapter Complete



PARTS LIST

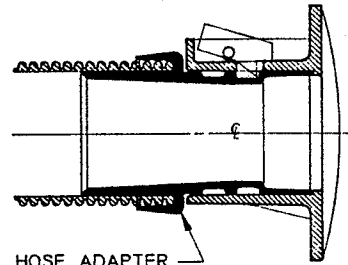
ITEM	PART NO.	QTY.	DESCRIPTION
1	390041	1	15 Gallon Poly Tank
1a	390051	1	20 Gallon Poly Tank
2	390031	1	Handle 390 Series
3	390032	2	Backing Plate 390 Handle
4	390033	1	Axle 390 Series Plated
5	805678	1	Cap Drain
6	390035	2	Latch 390 Series
7	828893	4	Rivet Pop
8	710182	2	SCR-MC 1/4-20 x 1.00 ST PL
9	833831	2	Clamp Back Plate
10	710387	4	SCR-MC 1/4-20 x 1.75 ST PL
11	762399	4	Bushing .226 x .370 x 1.0
12	711544	4	Washer-Helical 1/4
13	711352	4	Nut-Acorn 1/4-20 ST NI
14	832126	2	Tube Closure
15	711505	2	Washer-Flat 1/4
16	711524	2	Washer-Wave .52 x .87 x .01
17	804457	2	Caster 8 Gray
18	711594	2	Washer-Flat .56 x .88 x .03 NI
19	711713	2	Retaining Ring-E Ext. .50
20	715005	1	Decal Tank Logo
21	804452	2	Wheel 8 Inch
***	390040		Tank Assembly Complete (15 Gallon)
***	390050		Tank Assembly Complete (20 Gallon)

OPTIONAL INDUSTRIAL TOOLS AND ACCESSORIES

A		<p>800024 800022 800023 800175MCH 800176MCH 800025</p>	<p>3" Rd Dust Brush Complete 5" Rd Dust Brush Complete Bristle Insert 5" Dust Brush HSG 5" Dust Brush HSG 3" Bristle Insert 3"</p>
B		<p>800034</p>	<p>24" Crev Tool Aluminum, Complete</p>
C		<p>800015</p>	<p>Wand Asy 1-1/2, Complete</p>
D		<p>800017 800064 800019</p>	<p>Set Tube, High-up 10' 5' Tube Lower Section 5' Section Upper</p>
E		<p>800116</p>	<p>Swivel, Hose End Exp, Complete</p>
F		<p>800303</p>	<p>Hose Asy 1-1/2 x 10'</p>
G		<p>800032 711006 800033 800193POL</p>	<p>6" Curved Pipe Tool, Complete Set Screw Bristl Insert Curved 6" 6" Curved Pipe Tool</p>
H		<p>800070 710356 710357 800187PTD 800217 800218</p>	<p>12" Gulper Tool, Complete SCR-MC 10-32 x .62 SCR-MC 10-32 x .75 Gulper Nozzle Fibre Shoe Rear Fibre Shoe Front</p>
I		<p>800108 710530 800003MCH 800178PTD</p>	<p>14" Fibre Tool Complete Screw 8/32 x 1/2 Brass Fibre Shod Tool Casting</p>
J		<p>800038 800029</p>	<p>6" Tool W/Handle Tube, Complete Bristle Insert Replacement</p>
K		<p>800109 710330 800121 800178PTD 800239 800240</p>	<p>14" Squeege, Complete SCR-SC 8-32 x .62 14" Retaining Strip Casting, Tool MCH Blade Squeege Wide Blade Squeege Narrow</p>

HOSE ASSEMBLY COMPLETE

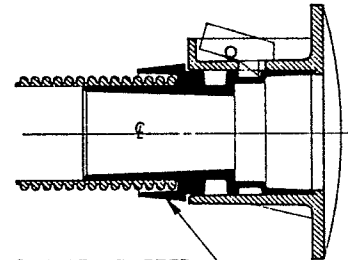
800309	2" X 10'	CRUSH PROOF
800310	2" X 15'	CRUSH PROOF
800311	2" X 25'	CRUSH PROOF
800312	2" X 10'	NEOPRENE
800313	2" X 15'	NEOPRENE
800314	2" X 25'	NEOPRENE



390020 - 2" HOSE ADAPTER

HOSE ASSEMBLY COMPLETE

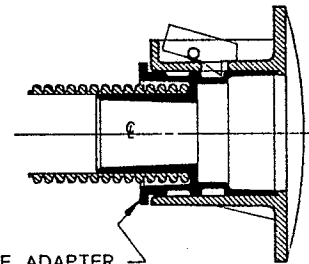
800303	1-1/2" X 10'	CRUSH PROOF
800304	1-1/2" X 15'	CRUSH PROOF
800305	1-1/2" X 25'	CRUSH PROOF
800306	1-1/2" X 10'	NEOPRENE
800307	1-1/2" X 15'	NEOPRENE
800308	1-1/2" X 25'	NEOPRENE



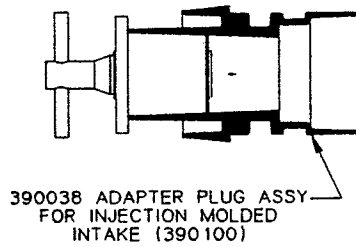
390015 - 1-1/2" HOSE ADAPTER

HOSE ASSEMBLY COMPLETE

800300	1-1/4" X 10'	CRUSH PROOF
--------	--------------	-------------

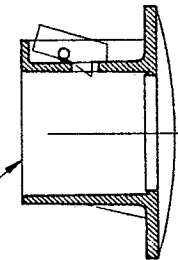


390012 - 1-1/4" HOSE ADAPTER



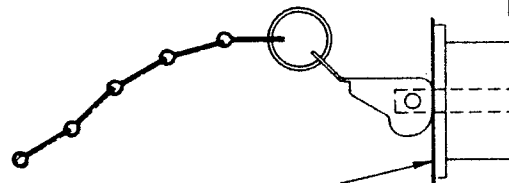
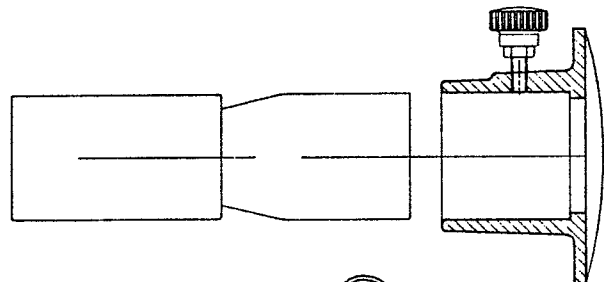
390038 ADAPTER PLUG ASSY FOR INJECTION MOLDED INTAKE (390100)

390100 INJECTION MOLDED INTAKE COMPLETE WITH PINS



TANK SWIVEL CUFF ADAPTER

804003	1-1/4"
801014	1-1/2"



750402 PLUG ASSY FOR ALUMINUM INTAKE

LIMITED WARRANTY

Minuteman International, Inc. warrants to the original purchaser/user that this product is free from defects in workmanship and materials under normal use and service for a period of three years from date of purchase. In addition, Minuteman International, Inc. will, at its option, honor labor warranty claims for the first 12 months from date of sale, provided such claims are submitted through and approved by factory authorized repair stations. Minuteman International, Inc. will, at its option, repair or replace without charge, except for transportation costs, parts that fail under normal use and service when operated and maintained in accordance with the applicable operation and instruction manuals.

This warranty does not apply to normal wear, or to items whose life is dependent on their use and care, such as belts, cords, switches, hoses, rubber parts, electrical motor components or adjustments. Parts not manufactured by Minuteman International, Inc. such as engines, batteries, battery chargers, hydraulic pumps, and tires are covered by and subject to the warranties and/or guarantees of their manufacturers. Please contact Minuteman International, Inc. for procedures in warranty claims against these manufacturers.

Special warning to purchaser -- Use of replacement filters and/or prefilters not manufactured by Minuteman International, Inc. or its designated licensees, will void all warranties expressed or implied.

A potential health hazard exists without exact original equipment replacement.

All warranted items become the sole property of Minuteman International, Inc. or its original manufacturer, whichever the case may be.

Minuteman International, Inc. disclaims any implied warranty, including the warranty of merchantability and the warranty of fitness for a particular purpose. Minuteman International, Inc. assumes no responsibility for any special, incidental or consequential damages.

This limited warranty is applicable only in the U.S.A. and Canada, and is extended only to the original user/purchaser of this product. Customers outside the U.S.A. and Canada should contact their local distributor for export warranty policies. Minuteman International, Inc. is not responsible for costs or repairs performed by persons other than those specifically authorized by Minuteman International, Inc. This warranty does not apply to damage from transportation, alterations by unauthorized persons, misuse or abuse of the equipment, use of non-compatible chemicals, or damage to property, or loss of income due to malfunctions of the product.

If a difficulty develops with this machine, you should contact the dealer from whom it was purchased.

This warranty gives you specific legal rights, and you may have other rights which vary from state to state. Some states do not allow the exclusion or limitation of special, incidental or consequential damages, or limitations on how long an implied warranty lasts, so the above exclusions and limitations may not apply to you.

Minuteman[®]

World Headquarters
Minuteman International, Inc.
111 South Rohlwing Road
Addison, Illinois 60101

(630) 627-6900
FAX (630) 627-1130

Minuteman Canada, Inc.
2210 Drew Road
Mississauga, Ontario
L5S 1B1

(905) 673-3222
FAX (905) 673-5161

987796
Printed in U.S.A.