



# Electronic Service Manuals

This electronic document is provided as a service to our customers. We do not create the contents of the information contained in this document. Should you have detailed questions pertaining to the information contained in this document, you may contact Michco, or the manufacturer which provided the original information in this electronic deliverable. Michco's only part in this electronic deliverable was the electronic assembly process.

You may contact Michco through the following methods:  
Phone (517) 484-9312 or (800) 331-3339 MI, OH, IN only  
2011 N. High St. -- Lansing, Michigan -- 48906  
Fax: (517) 484-9836  
Email: [CustServ@Michco.com](mailto:CustServ@Michco.com)  
Web site: [www.Michco.Com](http://www.Michco.Com)  
Parts Web site: [www.FloorMachineParts.Com](http://www.FloorMachineParts.Com)

Order Parts on Line at:  
**[www.FloorMachineParts.Com](http://www.FloorMachineParts.Com)**

Directly to Parts & Service:  
By Email: **[Shop@Michco.com](mailto:Shop@Michco.com)**  
By Fax: (517) 702-2041  
By Voice: Use numbers above.

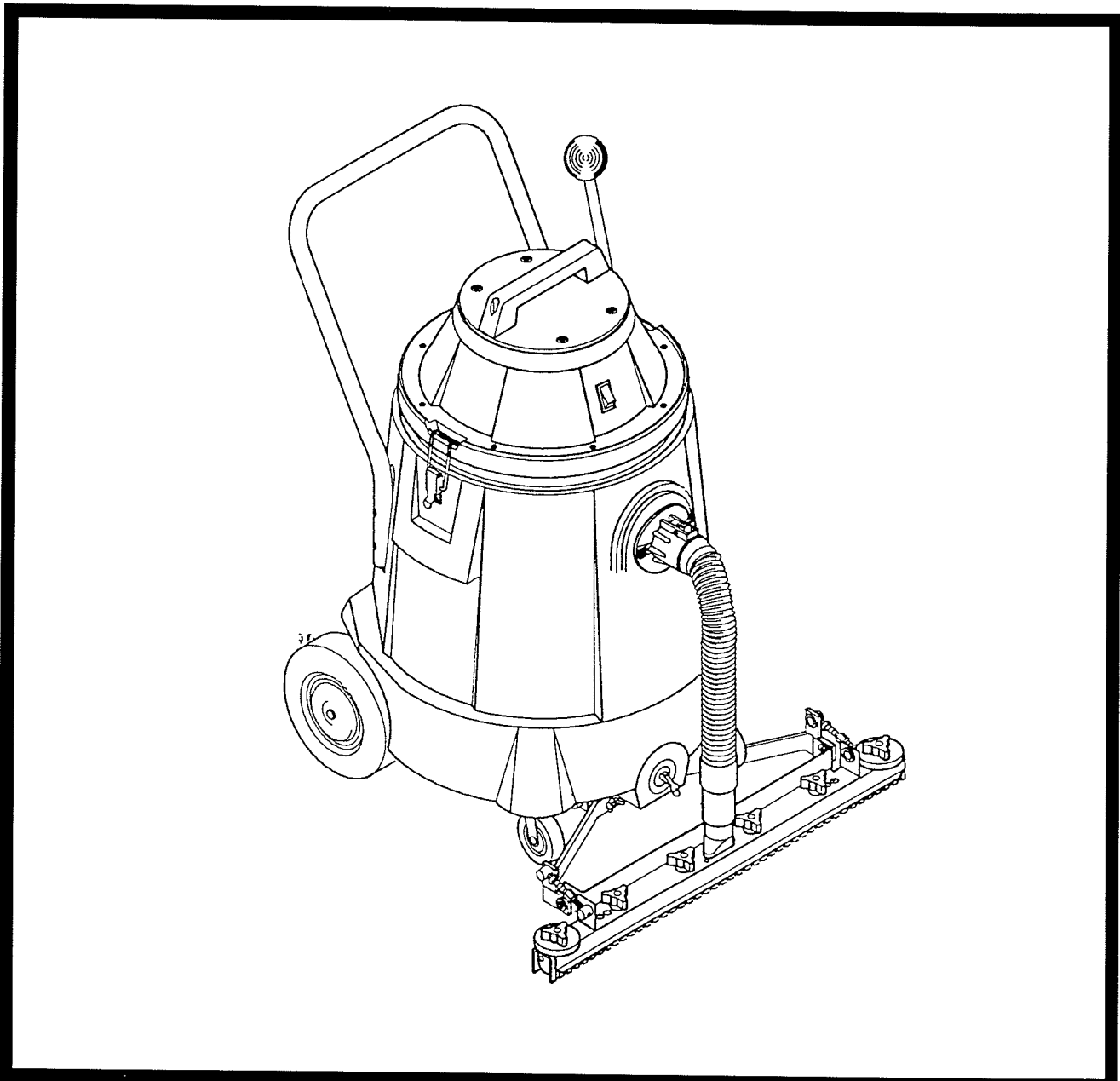
**Serving the Cleaning Industry Since 1922**

Notice: All copyrighted material remains property of original owners, all trademarks are property of respective owners. Manuals are subject to Manufacturer's reproduction limitations. Originals or reproductions were provided by manufacturers through a request. We make no warranty as to the correctness of information provided in this document and you assume all risk.

# Wide Area Squeegee Assembly

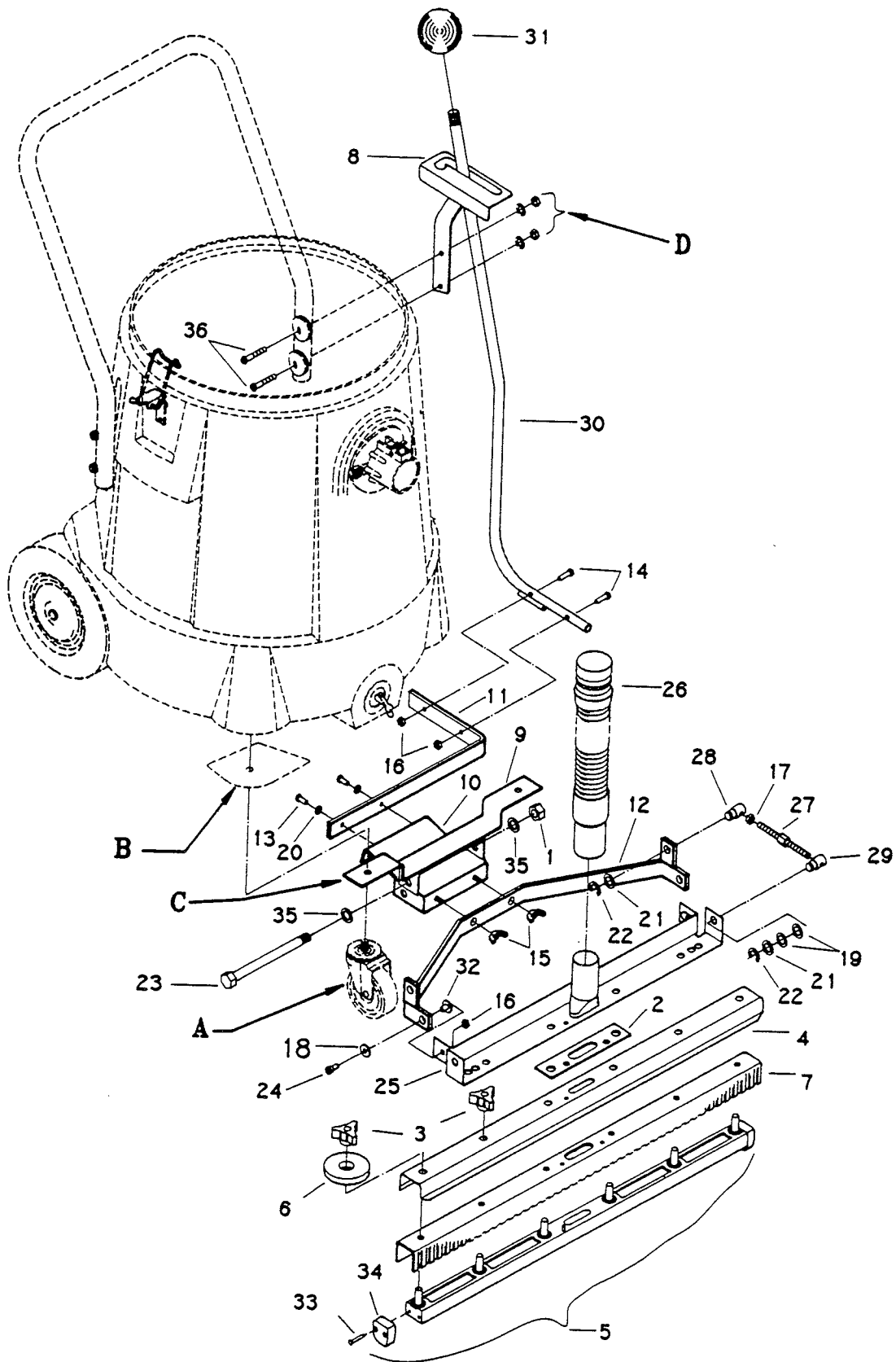
Model: 470300  
470600

■ OPERATION ■ SERVICE ■ PARTS ■ CARE



Revised 2/98

**Minuteman**<sup>®</sup>



## PARTS LISTING

ITEM	PART	QTY	DESCRIPTION	ITEM	PART	QTY	DESCRIPTION
1	364-816	1	Nut Nyloc 1/2-13 Half	18	711506	2	WSR-Flat 5/16 ST PL
2	430073	1	Gasket Diecut PS Back	19	711524	4	WSR-Wave .52 x .87 x .01
3	430074	6	Adjusting Nut 17 B/E	20	711554	2	WSR-Internal Lock 1/4 ID
4	430078	1	U-Profile	21	711594	6	WSR-Flat .56 x .88 x .03
4A	210024	1	"A" numbers for use on 470600	22	711713	4	Retaining Ring-E Ext .50
5	430079	1	Casting Squeegee Assembly	23	712013	1	BLT-HH 1/2-13 x 6
5A	210023	1	"A" numbers for use on 470600	24	712041	2	BLT-SDER 1/4-20 x .44 x .37
6	430085	2	Squeegee Bumper Wheel	25	750139	1	Squeegee Mtg. Bkt. Assy.
7	11-145	1	Squeegee Blade F/R	26	750140	1	Vac Hose Assy.
7A	210024	1	"A" numbers for use on 470600	27	750689	2	Stud Adjusting
8	470005	1	Lever Loc Assembly	28	762256PLT	2	Nut Adj. LH Zinc PLT
9	470301	1	Squeegee Mounting Bracket	29	762257PLT	2	Nut Adj. RH Zinc Dicromat
10	470302	1	Squeegee Mounting Pivot Box	30	807384	1	Rod Handle
11	470303	1	Lift Bracket	31	807385	1	Knob Handle
12	470304	1	Pivot Bracket Weldment	32	829052	2	Flange Bushing Nylon .312 ID
13	711203	2	BLT-HH 1/4-20 x .62	33	712517	4	SCR-MC 8/32 x 1 SS FH
14	712564	2	BLT-HH 1/4-20 x 1.00	34	430076	2	Nylon Squeegee Insert
15	711364	2	Nut-Wing 1/4-20 ST PL	35	711509	2	WSR-Flat 1/2
16	711377	4	Nut-Lock 1/4-20	36	710184	2	SCR-MC 1/4-20 x 1.25
17	711420	2	Nut-Hex Jam 5/16-18 ST PL				

## INSTALLATION INSTRUCTIONS SQUEEGEE ASSEMBLY

1. Turn existing tank upside down and remove both casters (A) and reinforcement plates (B).
2. Position item (C) on tank and reinstall casters through bracket as shown.
3. Install item 10 with bolt 23 and nut 1.
4. Install item 11 with bolts 13 and washers 20.
5. Install item 12 with wingnuts 15.
6. Turn tank assembly right side up and remove washers and nuts (D) from handle assembly. Mount item 8 using new bolts item 36 and tighten item 8 into place.
7. Slide item 30 through item 8 and mount lift arm to item 11 with bolts 14 and nuts 16.

## ADJUSTMENTS

Angle of squeegee assembly can be adjusted if needed, by loosening nut 17 and turning item 27. Both sides may need adjusting so that squeegee blade is parallel to floor in down position.

## LIMITED WARRANTY

Minuteman International, Inc. warrants to the original purchaser/user that this product is free from defects in workmanship and materials under normal use and service for a period of two years from date of purchase. In addition, Minuteman International, Inc. will, at its option, honor labor warranty claims for the first 12 months from date of sale, provided such claims are submitted through and approved by factory authorized repair stations. Minuteman International, Inc. will, at its option, repair or replace without charge, except for transportation costs, parts that fail under normal use and service when operated and maintained in accordance with the applicable operation and instruction manuals.

This warranty does not apply to normal wear, or to items whose life is dependent on their use and care, such as belts, cords, switches, hoses, rubber parts, electrical motor components or adjustments. Parts not manufactured by Minuteman International, Inc. such as engines, batteries, battery chargers, hydraulic pumps, and tires are covered by and subject to the warranties and/or guarantees of their manufacturers. Please contact Minuteman International, Inc. for procedures in warranty claims against these manufacturers.

**Special warning to purchaser** -- Use of replacement filters and/or prefilters not manufactured by Minuteman International, Inc. or its designated licensees, will void all warranties expressed or implied.

A potential health hazard exists without exact original equipment replacement.

All warranted items become the sole property of Minuteman International, Inc. or its original manufacturer, whichever the case may be.

Minuteman International, Inc. disclaims any implied warranty, including the warranty of merchantability and the warranty of fitness for a particular purpose. Minuteman International, Inc. assumes no responsibility for any special, incidental or consequential damages.

This limited warranty is applicable only in the U.S.A. and Canada, and is extended only to the original user/purchaser of this product. Customers outside the U.S.A. and Canada should contact their local distributor for export warranty policies. Minuteman International, Inc. is not responsible for costs or repairs performed by persons other than those specifically authorized by Minuteman International, Inc. This warranty does not apply to damage from transportation, alterations by unauthorized persons, misuse or abuse of the equipment, use of non-compatible chemicals, or damage to property, or loss of income due to malfunctions of the product.

If a difficulty develops with this machine, you should contact the dealer from whom it was purchased.

This warranty gives you specific legal rights, and you may have other rights which vary from state to state. Some states do not allow the exclusion or limitation of special, incidental or consequential damages, or limitations on how long an implied warranty lasts, so the above exclusions and limitations may not apply to you.

# **Minuteman**<sup>®</sup>

### **World Headquarters**

Minuteman International, Inc.  
111 South Rohlwing Road  
Addison, Illinois 60101

(630) 627-6900  
FAX (630) 627-1130

### **Minuteman Canada, Inc.**

2210 Drew Road  
Mississauga, Ontario  
L5S 1B1

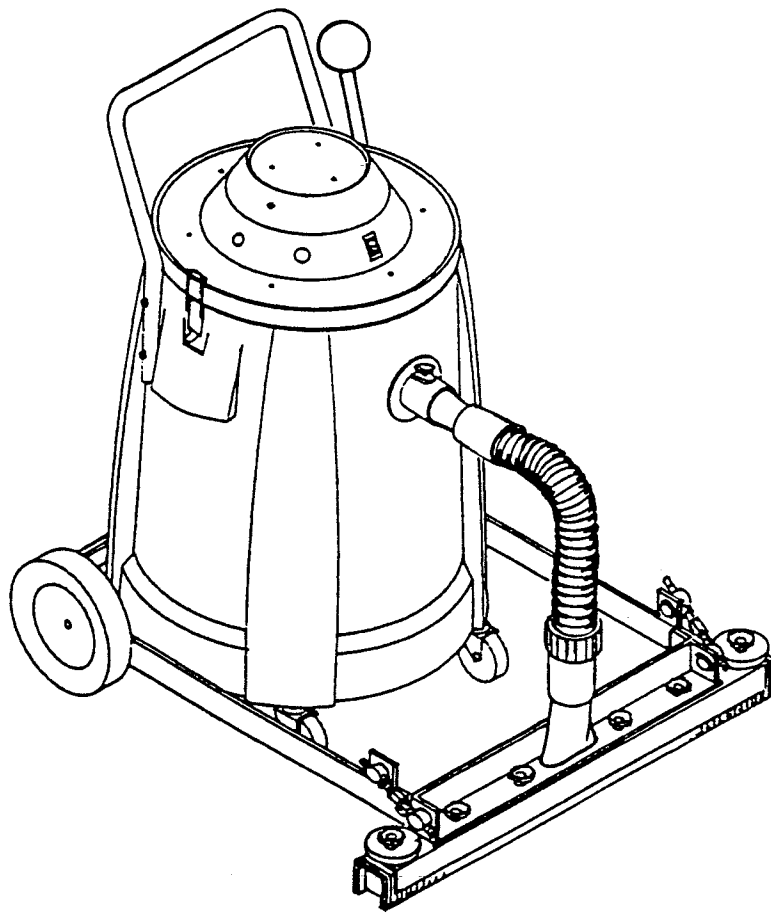
(905) 673-3222  
FAX (905) 673-5161

988081  
Printed in U.S.A.

# Wide Area Squeegee

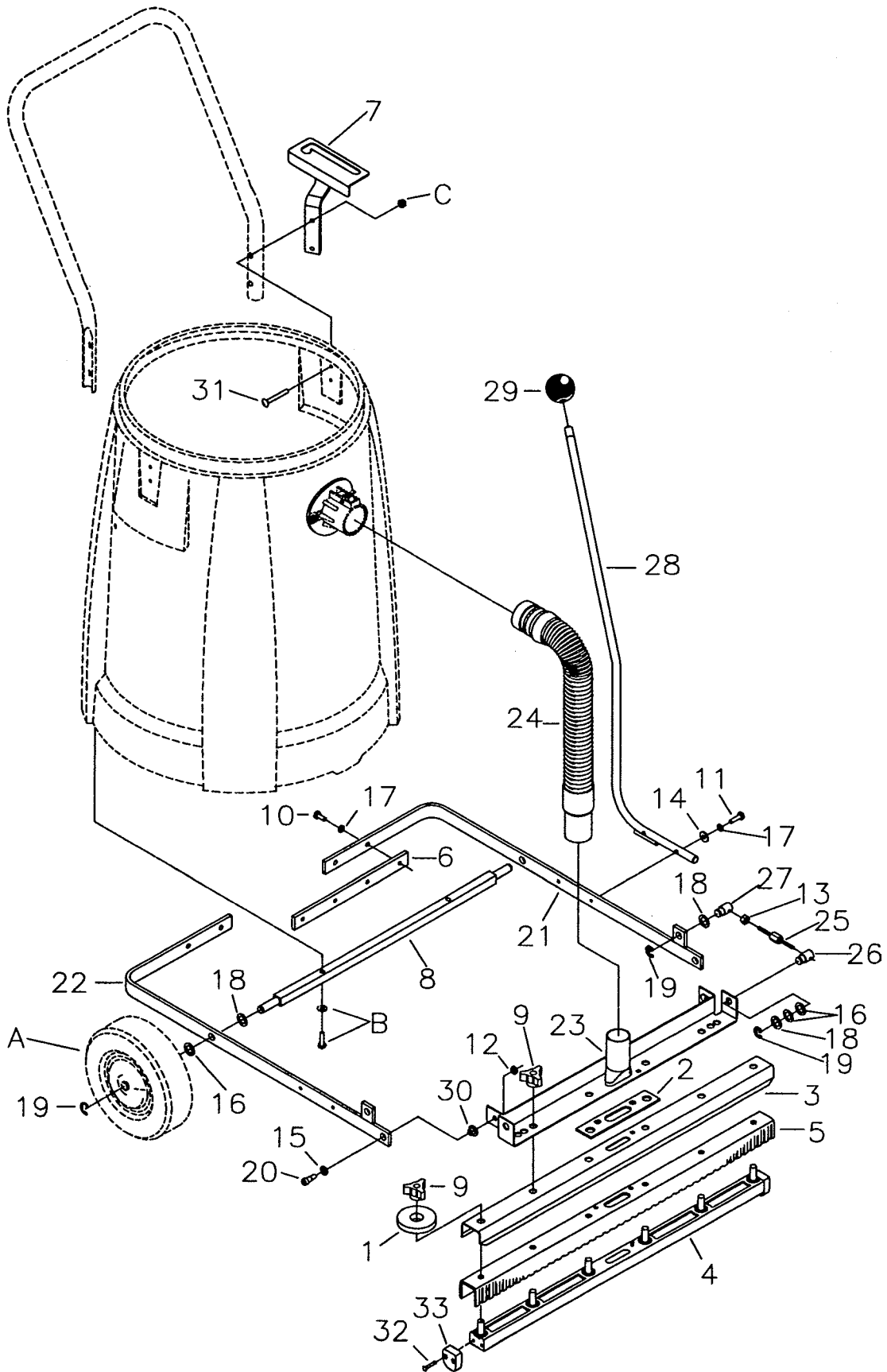
ModelNo: 470000  
470033  
Optional Squeegee  
Assembly  
15/20 Gallon  
Poly Tanks

■ OPERATION ■ SERVICE ■ PARTS ■ CARE



Revised 8/01

**Minuteman<sup>®</sup>**



## PARTS LISTING

ITEM	PART	QTY	DESCRIPTION	ITEM	PART	QTY	DESCRIPTION
1	430085	2	Squeegee Bumper Wheel	16	711524	6	WSR-Wave
2	430073	1	Gasket	17	711544	6	WSR-Helical 1/4
3	430078	1	U Profile	18	711594	4	WSR-Flat
3A	210024	1	U Profile (470033)	19	711713	6	Retaining Ring-E
4	430079	1	Squeegee Casting Assembly	20	712041	2	BLT-SDER 1/4-20 x .44 x .37
4A	210023	1	Squeegee Casting Assembly (470033)	21	750137	1	Bkt Arm Squeegee Asy Left
5	11-145	1	Squeegee Blade	22	750138	1	Bkt Arm Squeegee Asy Right
5A	210065	1	Squeegee Blade (470033)	23	750139	1	Squeegee Mtg. Bkt. Asy
6	470001	1	Rear Brace	24	750140-1	1	Vac Hose Assembly
7	470005	1	Lever Lock Asy	25	750689	2	Stud, Adjusting
8	470007	1	Axle Squeegee Asy	26	762256PLT	2	Nut Adj. LH
9	430074	6	Adjusting Knob	27	762257PLT	2	Nut Adj. RH
10	711203	4	BLT-HH 1/4-20 x .62	28	807384	1	Rod Handle
11	711206	2	BLT-HH 1/4-20 x .87 STPL	29	807385	1	Knob Handle
12	711377	2	Nut-Lock 1/4-20	30	829052	2	Flanged Bushing
13	711420	2	Nut-Hex Jam 5/16-18 STPL	31	710389	2	SCR-MC 1/4 -20 x 2.00 SS
14	711505	2	WSR-Flat 1/4	32	712517	4	SCR-MC 8/32
15	711506	2	WSR-Flat 5/16 STPL	33	430076	2	Squeegee End Cap

### INSTALLATION INSTRUCTIONS 470200 SQUEEGEE ASSEMBLY

1. Turn existing tank upside down and remove both wheels (A) by removing snap ring 19 from existing axle.
2. Remove screws (B) from existing axle and remove old axle.
3. Reinstall wheels onto new axle assembly with new E clip provided.
4. Install new axle - squeegee assembly to bottom of tank using existing screws "B" and tighten securely.
5. Turn tank assembly to upright position and remove washers and nuts (C) from handle assembly. Mount Item 7 over existing bolts. Use lockwasher and nut to tighten Item 7 securely in place.
6. Slide Item 28 through Item 7 and mount lift arm to Item 21 with bolts supplied.

### ADJUSTMENTS

1. Angle of squeegee assembly can be adjusted if needed, by loosening nut 13 and turning item 25. Both sides may need adjusting so that squeegee blade is parallel to floor in down position.
2. 15 Gallon Units Only.
3. Vac hose assembly, Item 24, should be shortened by 4" to remove excess length.

## LIMITED WARRANTY

Minuteman International, Inc. warrants to the original purchaser/user that this product is free from defects in workmanship and materials under normal use and service for a period of three years from date of purchase. In addition, Minuteman International, Inc. will, at its option, honor labor warranty claims for the first 12 months from date of sale, provided such claims are submitted through and approved by factory authorized repair stations. Minuteman International, Inc. will, at its option, repair or replace without charge, except for transportation costs, parts that fail under normal use and service when operated and maintained in accordance with the applicable operation and instruction manuals.

This warranty does not apply to normal wear, or to items whose life is dependent on their use and care, such as belts, cords, switches, hoses, rubber parts, electrical motor components or adjustments. Parts not manufactured by Minuteman International, Inc. such as engines, batteries, battery chargers, hydraulic pumps, and tires are covered by and subject to the warranties and/or guarantees of their manufacturers. Please contact Minuteman International, Inc. for procedures in warranty claims against these manufacturers.

**Special warning to purchaser** — Use of replacement filters and/or prefilters not manufactured by Minuteman International, Inc. or its designated licensees, will void all warranties expressed or implied.

A potential health hazard exists without exact original equipment replacement.

All warranted items become the sole property of Minuteman International, Inc. or its original manufacturer, whichever the case may be.

Minuteman International, Inc. disclaims any implied warranty, including the warranty of merchantability and the warranty of fitness for a particular purpose. Minuteman International, Inc. assumes no responsibility for any special, incidental or consequential damages.

This limited warranty is applicable only in the U.S.A. and Canada, and is extended only to the original user/purchaser of this product. Customers outside the U.S.A. and Canada should contact their local distributor for export warranty policies. Minuteman International, Inc. is not responsible for costs or repairs performed by persons other than those specifically authorized by Minuteman International, Inc. This warranty does not apply to damage from transportation, alterations by unauthorized persons, misuse or abuse of the equipment, use of non-compatible chemicals, or damage to property, or loss of income due to malfunctions of the product.

If a difficulty develops with this machine, you should contact the dealer from whom it was purchased.

This warranty gives you specific legal rights, and you may have other rights which vary from state to state. Some states do not allow the exclusion or limitation of special, incidental or consequential damages, or limitations on how long an implied warranty lasts, so the above exclusions and limitations may not apply to you.

# **Minuteman<sup>®</sup>**

**World Headquarters**  
Minuteman International, Inc.  
111 South Rohlwing Road  
Addison, Illinois 60101

Minuteman Canada, Inc.  
2210 Drew Road  
Mississauga, Ontario  
L5S 1B1

(630) 627-6900  
FAX (630) 627-1130

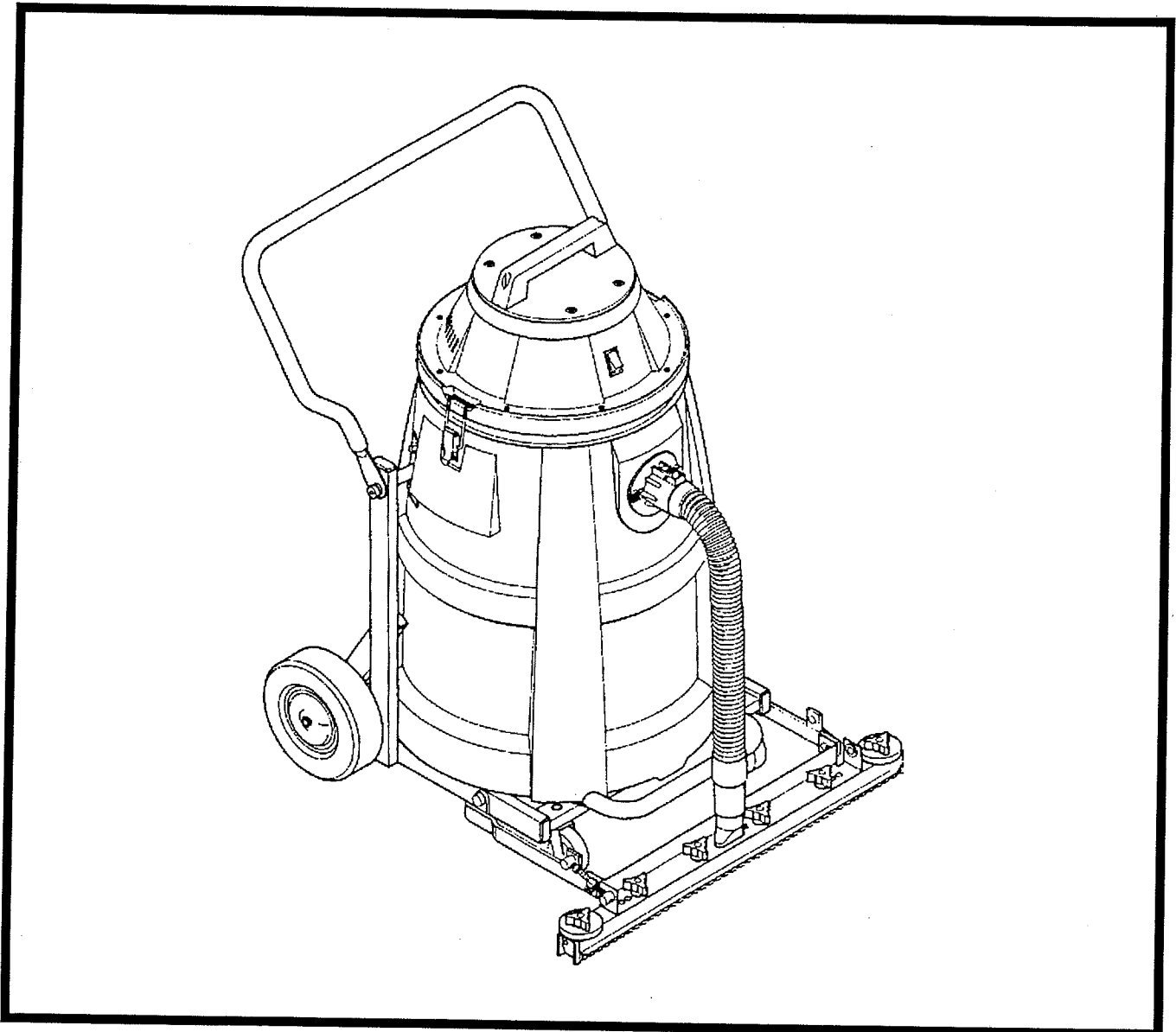
(905) 673-3222  
FAX (905) 673-5161

987317  
Printed in U.S.A.

# Squeegee Assembly Tip 'N Pour

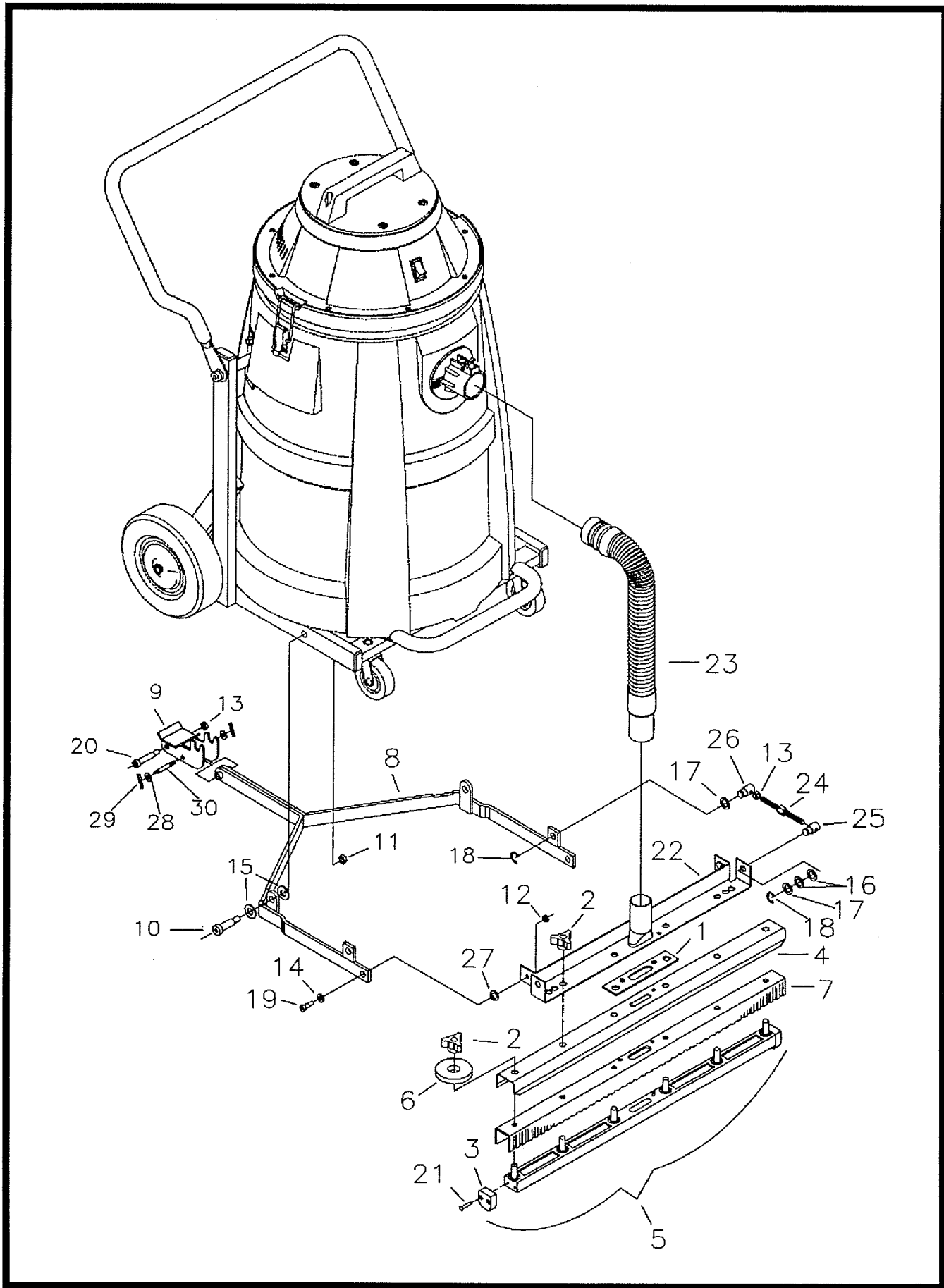
Model No: 470100  
C39055-07, 08

■ OPERATION    ■ SERVICE    ■ PARTS    ■ CARE



Revised 7/01

**Minuteman<sup>®</sup>**



## Parts Listings

ITEM NO.	PART NO.	QUANTITY	DESCRIPTION
1	430073	1	Gasket
2	430074	6	Adjusting Nut
3	430076	2	Squeegee Insert
4	430078	1	U Profile
5	430079	1	Casting Squeegee Assembly
6	430085	2	Bumper Wheel
7	11-145	1	Squeegee Blade
8	470105	1	Squeegee Arm Weldment
9	470106	1	Foot Pedal
10	710992	2	Shoulder Blt. 1/2
11	711375	2	Nut-Nloc 3/8 - 16
12	711377	2	Nut-Lock 1/4 - 20
13	711420	3	Nut-Hex 5/16 - 18 STPL
14	711506	2	WSR-Flat 5/16
15	711509	4	WSR-Flat 1/2
16	711524	6	WSR-Wave
17	711594	1	WSR-Flat
18	711713	4	Retaining Ring
19	712041	2	BLT-SDER 1/4 - 20
20	712091	1	Shoulder Blt. 3/8
21	712517	4	SCR-MC 8/32
22	750139	1	Squeegee Mtg. Bkt. Asy
23	750140-1	1	Vac Hose Assembly
24	750689	2	Stud, Adjusting
25	762256PLT	2	Nut Adj. LH
26	762257PLT	2	Nut Adj. RH
27	829052	2	Bushing
28	711505	2	WSR-Flat 1/4
29	711643	2	Rollpin .187 x 1.12 PLT
30	762084	1	Spring, Extension

### ADJUSTMENTS

Angle of squeegee assembly can be adjusted if needed, by loosening nut 13 and turning item 25. Both sides may need adjusting so that squeegee blade is parallel to floor in down position.

## LIMITED WARRANTY

Minuteman International, Inc. warrants to the original purchaser/user that this product is free from defects in workmanship and materials under normal use and service for a period of two years from date of purchase. In addition, Minuteman International, Inc. will, at its option, honor labor warranty claims for the first 12 months from date of sale, provided such claims are submitted through and approved by factory authorized repair stations. Minuteman International, Inc. will, at its option, repair or replace without charge, except for transportation costs, parts that fail under normal use and service when operated and maintained in accordance with the applicable operation and instruction manuals.

This warranty does not apply to normal wear, or to items whose life is dependent on their use and care, such as belts, cords, switches, hoses, rubber parts, electrical motor components or adjustments. Parts not manufactured by Minuteman International, Inc. such as engines, batteries, battery chargers, hydraulic pumps, and tires are covered by and subject to the warranties and/or guarantees of their manufacturers. Please contact Minuteman International, Inc. for procedures in warranty claims against these manufacturers.

**Special warning to purchaser** — Use of replacement filters and/or prefilters not manufactured by Minuteman International, Inc. or its designated licensees, will void all warranties expressed or implied.

A potential health hazard exists without exact original equipment replacement.

All warranted items become the sole property of Minuteman International, Inc. or its original manufacturer, whichever the case may be.

Minuteman International, Inc. disclaims any implied warranty, including the warranty of merchantability and the warranty of fitness for a particular purpose. Minuteman International, Inc. assumes no responsibility for any special, incidental or consequential damages.

This limited warranty is applicable only in the U.S.A. and Canada, and is extended only to the original user/purchaser of this product. Customers outside the U.S.A. and Canada should contact their local distributor for export warranty policies. Minuteman International, Inc. is not responsible for costs or repairs performed by persons other than those specifically authorized by Minuteman International, Inc. This warranty does not apply to damage from transportation, alterations by unauthorized persons, misuse or abuse of the equipment, use of non-compatible chemicals, or damage to property, or loss of income due to malfunctions of the product.

If a difficulty develops with this machine, you should contact the dealer from whom it was purchased.

This warranty gives you specific legal rights, and you may have other rights which vary from state to state. Some states do not allow the exclusion or limitation of special, incidental or consequential damages, or limitations on how long an implied warranty lasts, so the above exclusions and limitations may not apply to you.

# **Minuteman**<sup>®</sup>

**World Headquarters**  
Minuteman International, Inc.  
111 South Rohlwing Road  
Addison, Illinois 60101

Minuteman Canada, Inc.  
2210 Drew Road  
Mississauga, Ontario  
L5S 1B1

(630) 627-6900  
FAX (630) 627-1130

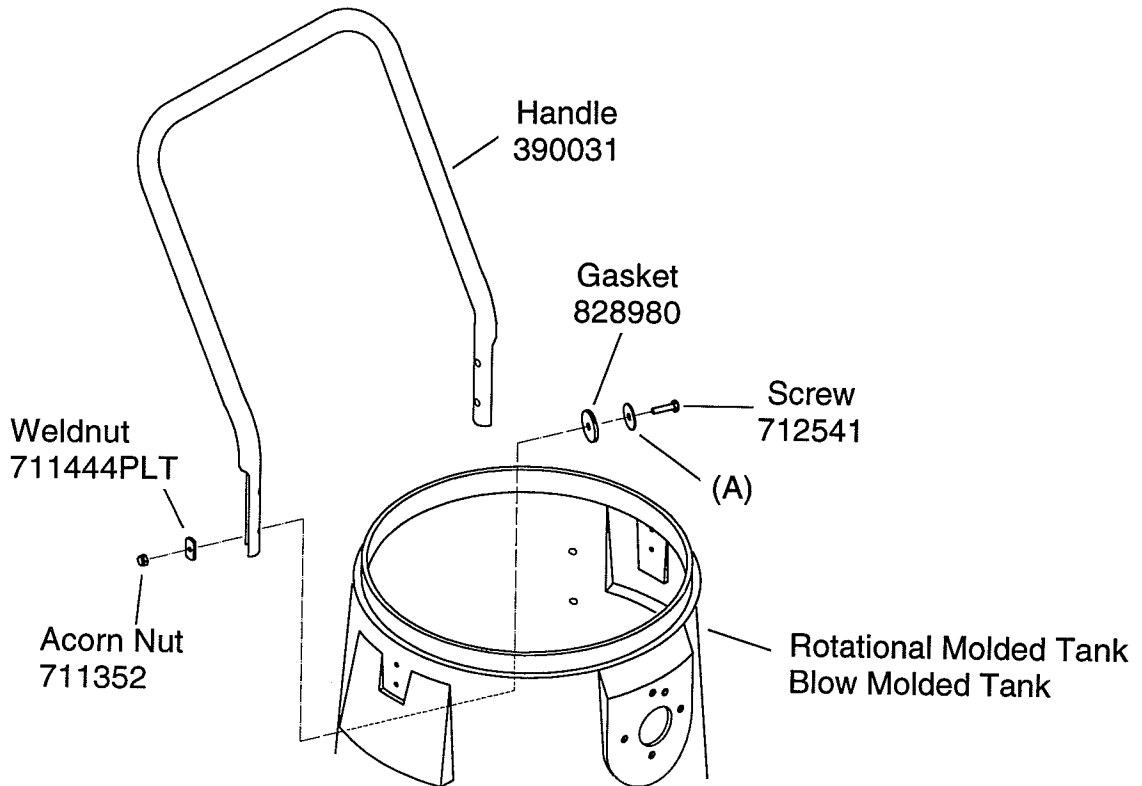
(905) 673-3222  
FAX (905) 673-5161

987207  
Printed in U.S.A.



## HANDLE INSTALLATION

Rotationally Molded Tanks  
Blow Molded tanks



<u>Tank</u>	(A) <u>Washer</u>
Roto Mold	712761
Blow Mold	712766

1. Place washer (A) and gasket (828980) onto screw (712541) and slide screw through tank and handle. Screw weldnut (711444PLT) onto screw, while tightening weldnut and screw - make sure that weldnut stays in vertical position during tightening (smooth surface of weldnut facing out).
2. Screw acorn nut (711352) onto remaining thread and tighten with 7/16" wrench.

Tools: Phillips screwdriver or screw gun w/Phillips bit and 7/16" wrench



**World Headquarters**  
Minuteman International, Inc.  
111 South Rohlwing Road  
Addison, Illinois 60101

Minuteman Canada, Inc.  
2210 Drew Road  
Mississauga, Ontario  
L5S 1B1

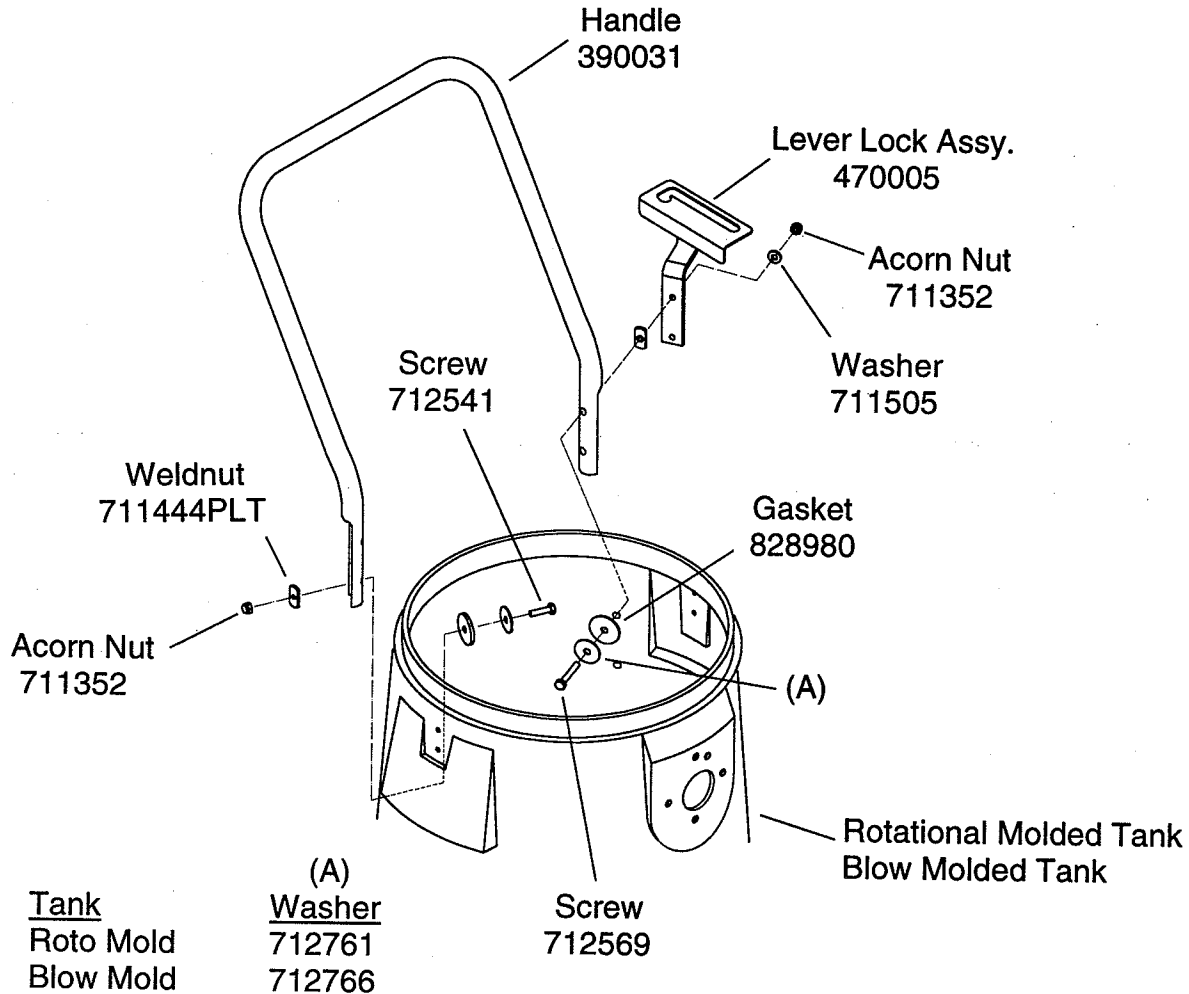
(630) 627-6900  
FAX (630) 627-1130

999350  
Printed in U.S.A.



## WIDE AREA SQUEEGEE HANDLE INSTALLATION

Rotationally Molded Tanks  
Blow Molded Tanks



1. Place washer (A) and gasket (828980) onto screws (712541 & 712569) and slide screw through tank and handle (as shown). Screw weldnut (711444PLT) onto screws, while tightening weldnut and screw - make sure that weldnut stays in vertical position during tightening (smooth surface of weldnut facing out).
2. From the view of standing behind the tank, screw acorn nuts (711352), right-hand side, onto remaining thread and tighten with 7/16" wrench.
3. On left-hand side, mount lever lock assembly (470005) over existing threads. Place washer (711505) and acorn nut (711352) onto thread and tighten with 7/16" wrench.

Tools: Phillips screwdriver or screw gun w/Phillips bit and 7/16" wrench



**World Headquarters**  
Minuteman International, Inc.  
111 South Rohlwing Road  
Addison, Illinois 60101

(630) 627-6900  
FAX (630) 627-1130

**Minuteman Canada, Inc.**  
2210 Drew Road  
Mississauga, Ontario  
L5S 1B1

(905) 673-3222  
FAX (905) 673-5161

999351  
Printed in U.S.A.