



Electronic Service Manuals

This electronic document is provided as a service to our customers. We do not create the contents of the information contained in this document. Should you have detailed questions pertaining to the information contained in this document, you may contact Michco, or the manufacturer which provided the original information in this electronic deliverable. Michco's only part in this electronic deliverable was the electronic assembly process.

You may contact Michco through the following methods:
Phone (517) 484-9312 or (800) 331-3339 MI, OH, IN only
2011 N. High St. -- Lansing, Michigan -- 48906
Fax: (517) 484-9836
Email: CustServ@Michco.com
Web site: www.Michco.Com
Parts Web site: www.FloorMachineParts.Com

Order Parts on Line at:
www.FloorMachineParts.Com

Directly to Parts & Service:
By Email: **Shop@Michco.com**
By Fax: (517) 702-2041
By Voice: Use numbers above.

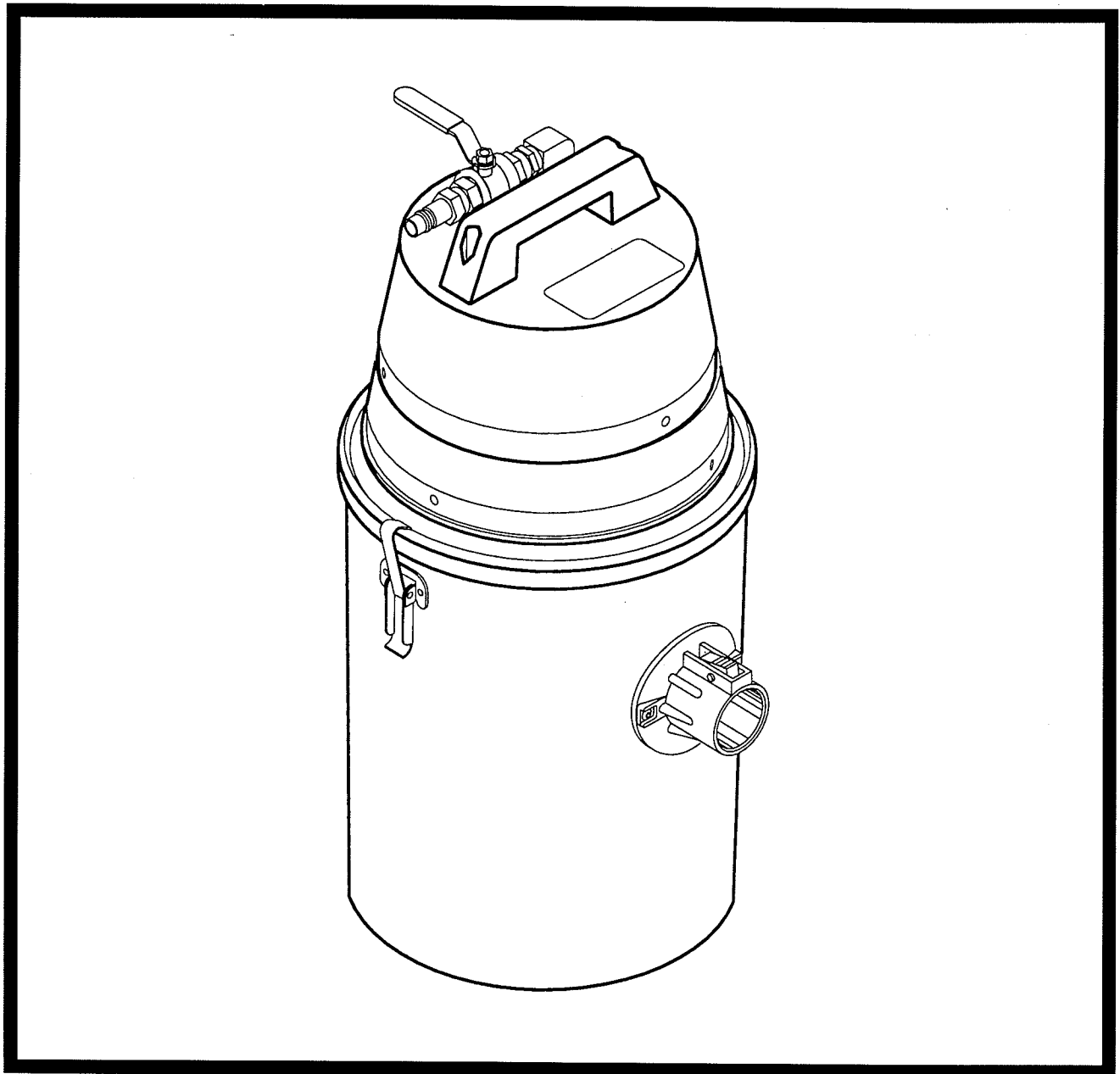
Serving the Cleaning Industry Since 1922

Notice: All copyrighted material remains property of original owners, all trademarks are property of respective owners. Manuals are subject to Manufacturer's reproduction limitations. Originals or reproductions were provided by manufacturers through a request. We make no warranty as to the correctness of information provided in this document and you assume all risk.

**705 Series
Air Operated
4 & 6 Gallon**

**Model: C70504-01, 02
C70506-01, 02**

■ OPERATION ■ SERVICE ■ PARTS ■ CARE



Revised 12/95

Minuteman[®]

**MODEL C70504 AIR OPERATED VACUUM DRY RECOVERY ONLY,
AND C70506 WET/DRY RECOVERY VACUUMS**

OPERATING INSTRUCTIONS

INSPECTION

Carefully unpack and inspect your machine for shipping damage. Each unit is tested and thoroughly inspected before shipment, therefore, any damage is the responsibility of the delivering carrier who should be notified immediately. Read all instructions carefully before operating.

SPECIAL WARNING

Air operated equipment can generate static electricity during use. Static dissipating arcing can be generated and occur if equipment and accessories are not grounded. Risk of explosion is possible if operated near explosive materials or vapors. Do not operate this equipment near flammable materials such as solvents, thinners, fuels, grain dust, etc.

AIR PRESSURE AND C.F.M. VOLUME REQUIRED

For maximum performance, operate with 1/2" air pressure line, 80 PSI (max. 100 PSI) and 37 input C.F.M. Air pressure control valve can be regulated to operate with lower pressure and C.F.M. when maximum is not required.

MAINTENANCE AND USAGE

Air supplied to vacuum must be clean and dry to avoid contamination and to maintain optimum performance.

Empty tank, clean filter bag and replace disposable filters regularly. Clogged filters restrict air flow and results in reduced vacuum performance.

Always shut off main air supply and open air valve at vacuum to relieve pressure before disconnecting air pressure line.

ASSEMBLY PROCEDURE FOR MODEL C70004 DRY RECOVERY VACUUM

(See schematic on page 2)

1. Place filter bag assembly #2 onto tank assembly #4.
2. Place lid assembly #1 onto tank and fasten lid latches.
3. Connect 1/2" air pressure line to shut off valve on lid.
4. Attach vacuum hose assembly to intake, vacuum intake will accept 1 1/2" and/or 2" hose. OPTION: For fine dust recovery, a filter bag protector #3 is recommended to be installed ahead of the filter bag assembly #2. (Must be ordered as separate item #761177PKG of 10.)
5. To operate, open air shut off valve to desired setting.

CLEANUP PROCEDURE

1. Shut off air supply at lid assembly.
2. Loosen lid latches and remove lid assembly.
3. Remove cloth filter bag assembly.
4. When filter bag protector is used, remove protector.
5. Empty tank into suitable trash container.
6. Reassemble following above procedure.

ASSEMBLY PROCEDURE FOR C70006

(See schematic on page 2)

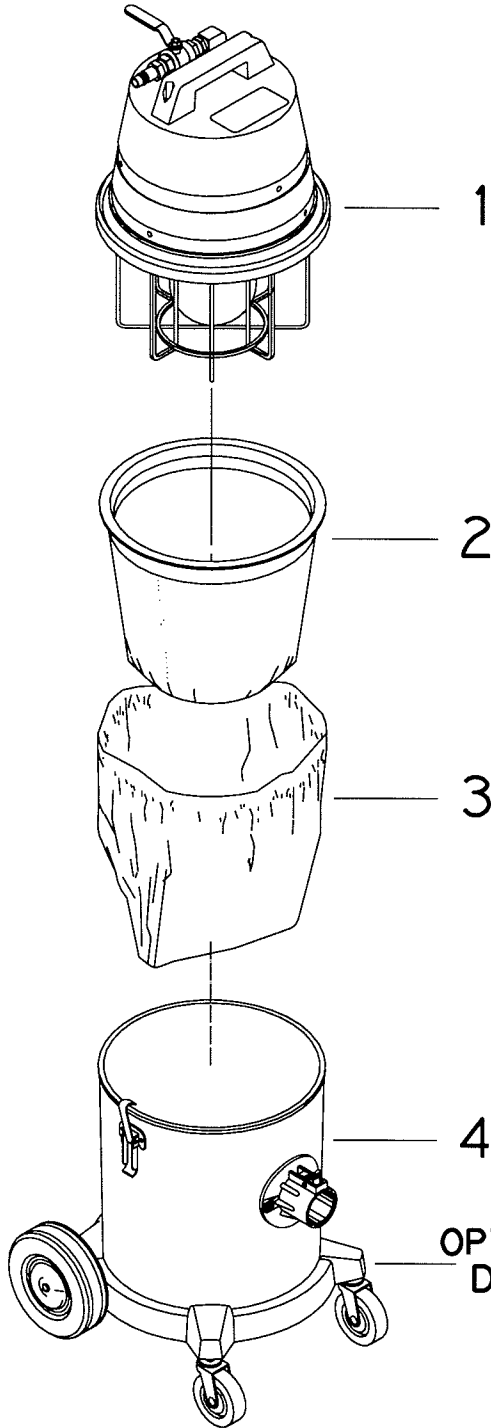
Model C70506 is for wet/dry recovery. For dry recovery, use same procedure as outlined for C70504.

For wet recovery, remove filter bag #2 and filter protector #3 if used. Ball float within float cage will actuate at 3 1/2 gallon recovery level.

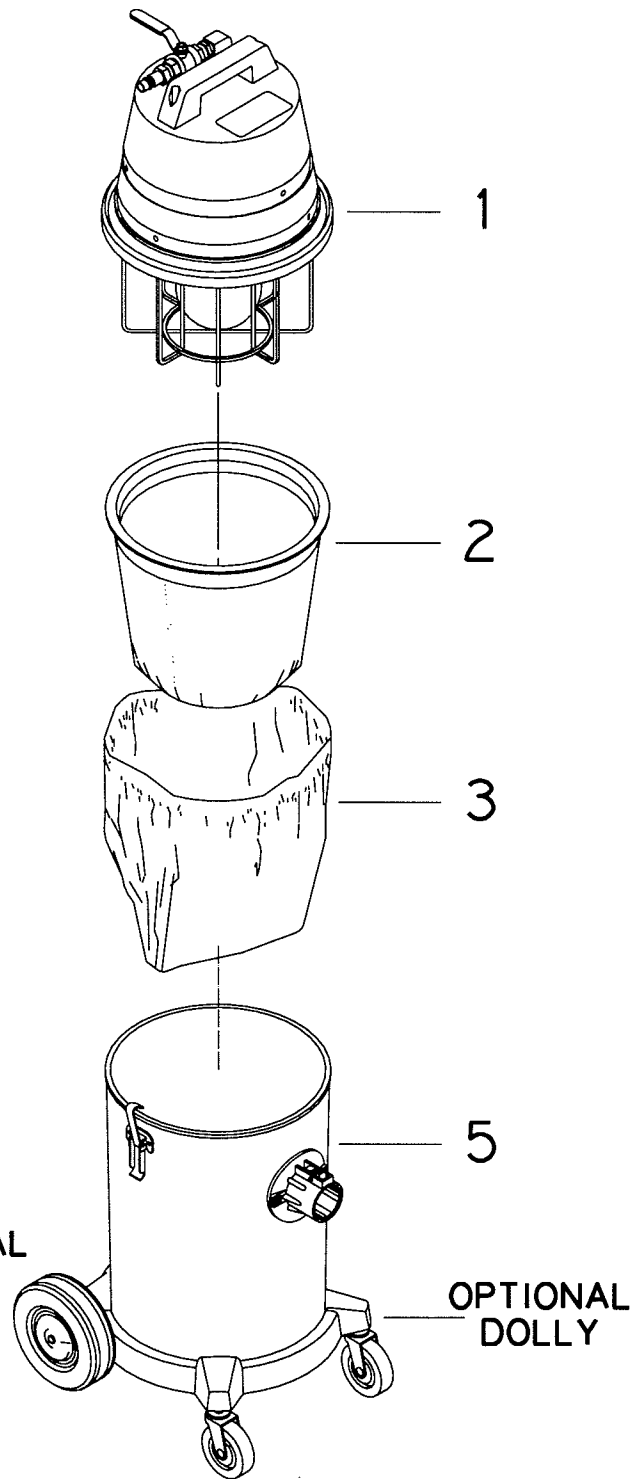
Always empty and dry tank assembly at end of each operating day or when vacuum will not be in use over extended period of time.

1. 700004 - Lid Assembly complete
2. 805044 - Cloth bag assembly complete
3. 761177PKG - Filter bag optional
4. 908001SS; 908002PTD - Tank assembly complete

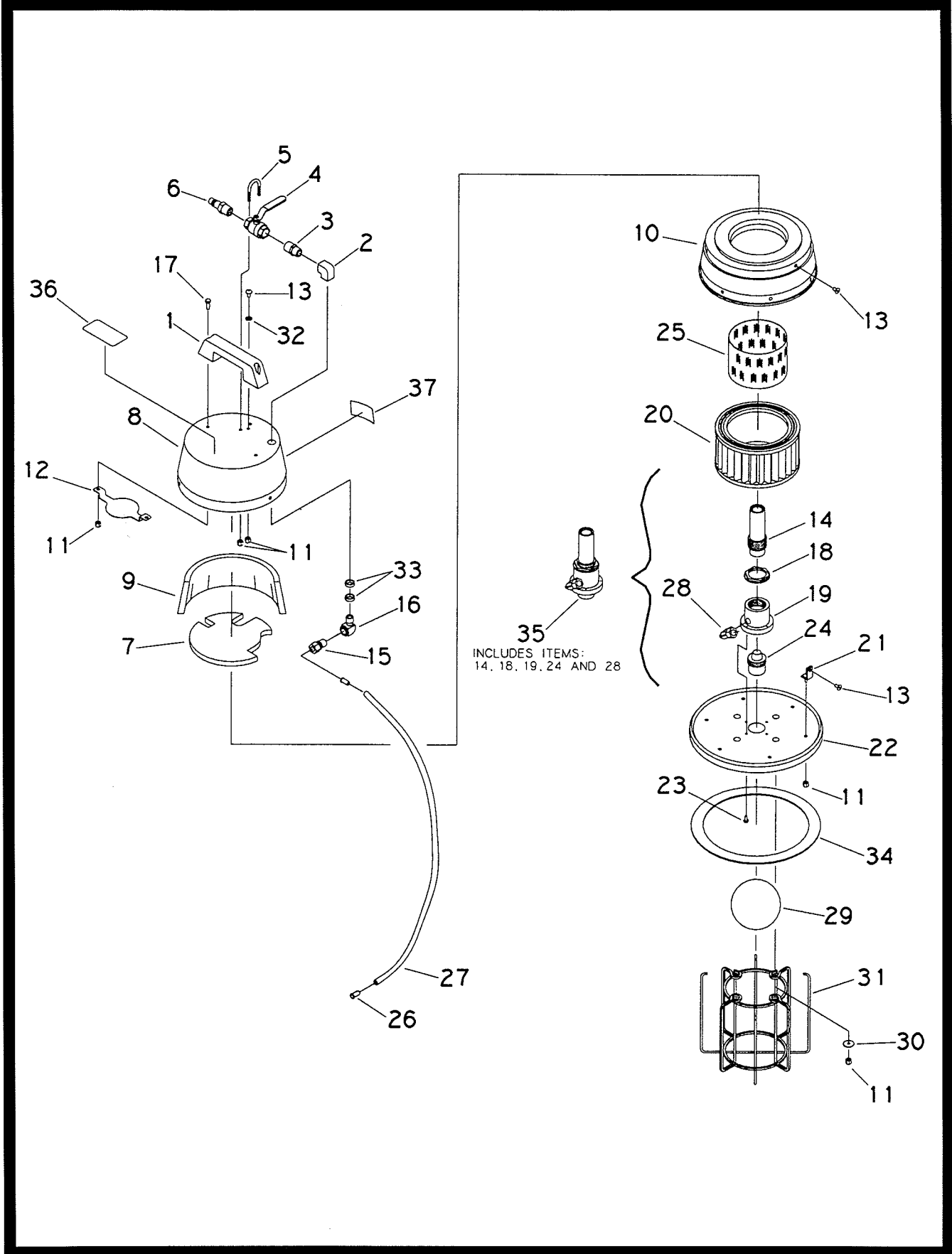
1. 700004 - Lid assembly complete
2. 805041 - Cloth bag assembly complete
3. 761177PKG - Filter bag optional
4. 907007SS, 907008PTD - Tank assembly complete



705-4

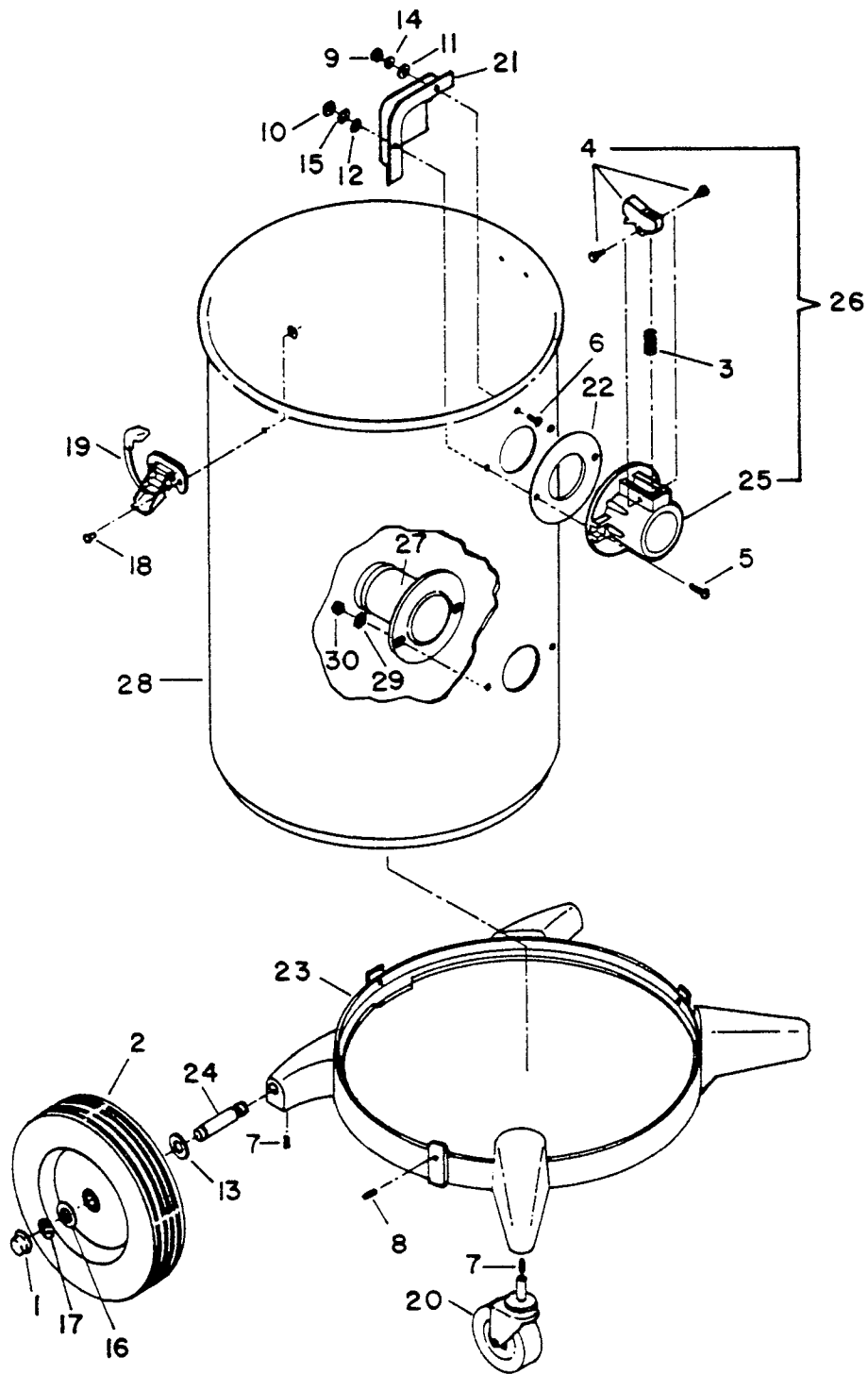


705-6



PARTS LIST

Item No	Part No	Quantity	Description
1	460001	1	Handle
2	700028	1	3/8 x 3/8 Brass Elbow
3	420017	1	Hew Nipple Reducer
4	712105	1	U-Bolt
5	701009	1	.50 Valve
6	701010	1	.50 Coupler
7	700033	1	Dome Felt
8	700031PTD	1	Top Cover
9	700032	1	Felt Liner
10	700030PTD	1	Filter Cover
11	712667	15	1/4-20 SS Nyloc Nut
12	700034	1	Air Deflector
13	710178	10	1/4-20 x .50 SCR-MC STPL
14	700012	1	Venturi Exhaust Tube
15	420008	1	Male Connector
16	830062	1	3/8 x 3/8 Brass ST90
17	711204	2	BLT HH 1/4-20 x .75 STPL
18	700014	1	Locking Nut
19	700011	1	Venturi Housing
20	700037	1	Exhaust Filter
21	832106	6	Bracket Mounting Tab
22	700029PTD	1	Bottom Pan
23	712822	4	SCR-THMC 10-24 x .50 STPL
24	700013	1	Venturi Intake
25	700038	1	Perforated Shield
26	420011	2	Brass Insert
27	700020	1	Poly Hose 20" Long
28	420009	1	Male Elbow 469F
29	380046	1	Hollow Rubber Ball
30	712761	4	WSR-Flat .25 x 1.01 x .06 SS
31	380045CTD	1	Float Cage Assembly
32	711505	1	WSR-Flat 1/4
33	829285PLT	2	Spacer - Zinc Plated
34	290031	1	Lid Gasket
35	700010	1	Venturi Assembly
36	715003	1	Decal, Air Pressure
37	715029	1	Decal, Serial Nameplate



PARTS LISTING

ITEM NO.	PART NO.	QTY.	DESCRIPTION
1	130032	2	Cap, Retainer
2	170047	2	Wheel 6"
3	390002	1	Spring .275 O.D.
4	390001	1	Trigger with Pins
5	712824	2	SCR-MC 10-24 x .75 ST PL
6	710530	1	SCR-MC 8-32 x .50 Brass
7	711005	4	SCR-SK 1/4-20 x .31
8	711006	3	SCR-MC 1/4-20 x .62
9	711304	1	Nut-Hex 8-32 ST PL
10	711310	2	Nut-Hex 10-32 ST PL
11	711502	1	WSR-Flat #8
12	711503		WSR-Flat #10
13	711582	2	WSR-Wave .50 x .75 x .02
14	711542	1	WSR, Lock #8
15	711543	2	WSR, Helical Lock #10
16	711594	2	WSR, Flat .56 x .88 x .03 NI
17	711713	2	Retaining, Ring-E Ext. .50
18	711915	4	Rivet .19 x .28 x .37 HD STNI
19	761054	2	Latch
20	900033	2	Caster, Swivel
21	900035	1	Deflector, Intake
22	390087	1	Gasket
23	900055PTD	1	Bracket, Wheel 4/6 Gal.
24	900066	2	Axle, Plated
25	390000	1	Intake, Injection Molded
26	390100	1	Intake, Injection Molded Comp.
27	750118	1	Tube Assy.
28A	900107	1	Tank, 4 Gal. SS High Intake
28B	900083	1	Tank, 4 Gal. PTD High Intake
28C	900093	1	Tank, 6 Gal. SS Low Intake
28D	900092	1	Tank, 6 Gal. PTD Low Intake
29	712320	2	WSR-Nylon .22 x .45 x .04
30	712638	2	Nut-Nyloc 10-24
***	805041	1	Cloth Filter 6 Gal.
***	805044	1	Cloth Filter 4 Gal.
***	761177PKG	1	Paper Filter Protector (12)
***	384003PKG	1	Disposable Paper Bag (10)
***	380049PLT	1	Bag Frame

LIMITED WARRANTY

Minuteman International, Inc. warrants to the original purchaser/user that this product is free from defects in workmanship and materials under normal use and service for a period of two years from date of purchase. In addition, Minuteman International, Inc. will, at its option, honor labor warranty claims for the first 12 months from date of sale, provided such claims are submitted through and approved by factory authorized repair stations. Minuteman International, Inc. will, at its option, repair or replace without charge, except for transportation costs, parts that fail under normal use and service when operated and maintained in accordance with the applicable operation and instruction manuals.

This warranty does not apply to normal wear, or to items whose life is dependent on their use and care, such as belts, cords, switches, hoses, rubber parts, electrical motor components or adjustments. Parts not manufactured by Minuteman International, Inc. such as engines, batteries, battery chargers, hydraulic pumps, and tires are covered by and subject to the warranties and/or guarantees of their manufacturers. Please contact Minuteman International, Inc. for procedures in warranty claims against these manufacturers.

Special warning to purchaser -- Use of replacement filters and/or prefilters not manufactured by Minuteman International, Inc. or its designated licensees, will void all warranties expressed or implied.

A potential health hazard exists without exact original equipment replacement.

All warranted items become the sole property of Minuteman International, Inc. or its original manufacturer, whichever the case may be.

Minuteman International, Inc. disclaims any implied warranty, including the warranty of merchantability and the warranty of fitness for a particular purpose. Minuteman International, Inc. assumes no responsibility for any special, incidental or consequential damages.

This limited warranty is applicable only in the U.S.A. and Canada, and is extended only to the original user/purchaser of this product. Customers outside the U.S.A. and Canada should contact their local distributor for export warranty policies. Minuteman International, Inc. is not responsible for costs or repairs performed by persons other than those specifically authorized by Minuteman International, Inc. This warranty does not apply to damage from transportation, alterations by unauthorized persons, misuse or abuse of the equipment, use of non-compatible chemicals, or damage to property, or loss of income due to malfunctions of the product.

If a difficulty develops with this machine, you should contact the dealer from whom it was purchased.

This warranty gives you specific legal rights, and you may have other rights which vary from state to state. Some states do not allow the exclusion or limitation of special, incidental or consequential damages, or limitations on how long an implied warranty lasts, so the above exclusions and limitations may not apply to you.

Minuteman[®]

World Headquarters
Minuteman International, Inc.
111 South Rohlwing Road
Addison, Illinois 60101

(630) 627-6900
FAX (630) 627-1130

Minuteman Canada, Inc.
2210 Drew Road
Mississauga, Ontario
L5S 1B1

(905) 673-3222
FAX (905) 673-5161

987723
Printed in U.S.A.