



Electronic Service Manuals

This electronic document is provided as a service to our customers. We do not create the contents of the information contained in this document. Should you have detailed questions pertaining to the information contained in this document, you may contact Michco, or the manufacturer which provided the original information in this electronic deliverable. Michco's only part in this electronic deliverable was the electronic assembly process.

You may contact Michco through the following methods:
Phone (517) 484-9312 or (800) 331-3339 MI, OH, IN only
2011 N. High St. -- Lansing, Michigan -- 48906
Fax: (517) 484-9836
Email: CustServ@Michco.com
Web site: www.Michco.Com
Parts Web site: www.FloorMachineParts.Com

Order Parts on Line at:
www.FloorMachineParts.Com

Directly to Parts & Service:
By Email: **Shop@Michco.com**
By Fax: (517) 702-2041
By Voice: Use numbers above.

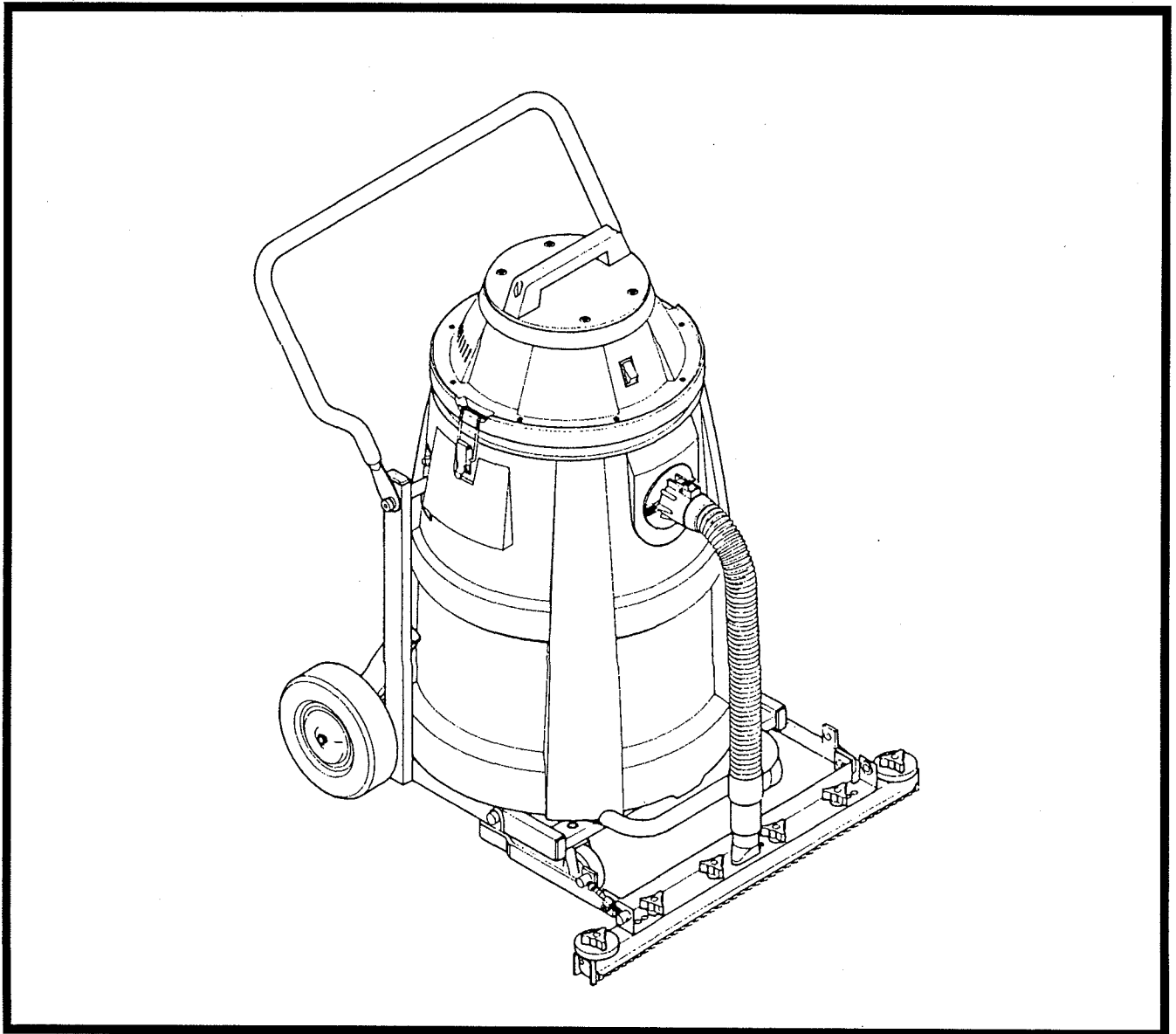
Serving the Cleaning Industry Since 1922

Notice: All copyrighted material remains property of original owners, all trademarks are property of respective owners. Manuals are subject to Manufacturer's reproduction limitations. Originals or reproductions were provided by manufacturers through a request. We make no warranty as to the correctness of information provided in this document and you assume all risk.

290 Series Tip 'N Pour

Model: C29020-05,06,07 08
Optional Squeegee Assy. 470100

■ OPERATION ■ SERVICE ■ PARTS ■ CARE



Revised 7/01

Minuteman[®]

FOR COMMERCIAL USE ONLY

IMPORTANT SAFETY INSTRUCTIONS

When using an electrical appliance, basic precautions should always be followed, including the following:

READ ALL INSTRUCTIONS BEFORE USING

WARNING - To reduce the risk of fire, electric shock, or injury:

- Do not leave appliance when plugged in. Unplug from outlet when not in use and before servicing.

WARNING

To reduce the risk of electric shock - Do not expose to rain. Store indoors.

- Do not allow to be used as a toy. Close attention is necessary when used by or near children.
- Use only as described in this manual. Use only manufacturer's recommended attachments.
- Do not use with damaged cord or plug. If appliance is not working as it should, has been dropped, damaged, left outdoors, or dropped into water, return it to a service center.
- Do not pull or carry by cord, use cord as a handle, close a door on cord, or pull cord around sharp edges or corners. Do not run appliance over cord. Keep cord away from heated surfaces.
- Do not unplug by pulling on cord. To unplug, grasp the plug, not the cord.
- Do not handle plug or appliance with wet hands.
- Do not put any object into openings. Do not use with any opening blocked; keep free of dust, lint, hair, and anything that may reduce air flow.
- Keep hair, loose clothing, fingers, and all parts of body away from openings and moving parts.
- Do not pick up anything that is burning or smoking, such as cigarettes, matches, or hot ashes.
- Do not use without dustbag and/or filters in place.
- Turn off all controls before unplugging.
- Use extra care when cleaning on stairs.
- Do not use to pick up flammable or combustible liquids such as gasoline or use in areas where they may be present.
- Connect to a properly grounded outlet only. See grounding instructions.

SAVE THESE INSTRUCTIONS

INSPECTION

Carefully unpack and inspect your machine for shipping damage. Each unit is tested and thoroughly inspected before shipment, and any damage is the responsibility of the delivery carrier who should be notified immediately.

ELECTRICAL - 115 Volt

This machine is designed to operate on a standard 15 amp, 115 volt, 60 hz, AC circuit. Voltages below 105 volts AC or above 125 volts AC could cause serious damage to the motor.

ELECTRICAL - 240 Volt

This machine is designed to operate on a standard 10 amp, 230 volt, 50 hz, AC circuit.

WARNING

Electric motors can cause explosions when operated near explosive materials or vapors. Do not operate this machine near flammable materials such as solvents, thinners, fuels, grain dust, etc.

GROUNDING INSTRUCTIONS

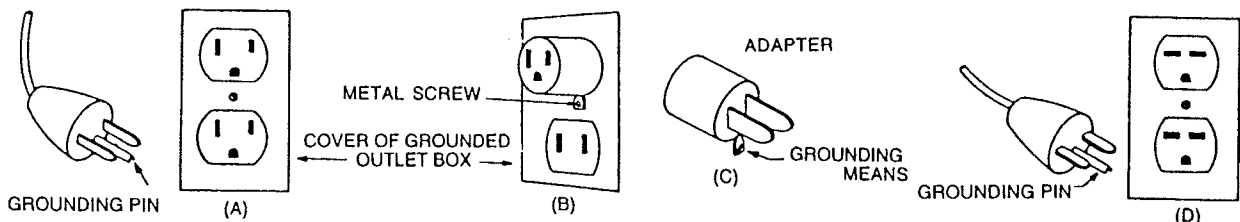
This appliance must be grounded. If it should malfunction or breakdown, grounding provides a path of least resistance for electric current to reduce the risk of electric shock. This appliance is equipped with a cord having an equipment-grounding conductor and grounding plug. The plug must be plugged into an appropriate outlet that is properly installed and grounded in accordance with all local codes and ordinances.

DANGER

Improper connection of the equipment-grounding conductor can result in a risk of electric shock. Check with a qualified electrician or service person if you are in doubt as to whether the outlet is properly grounded. Do not modify the plug provided with the appliance — if it will not fit the outlet, have a proper outlet installed by a qualified electrician.

This appliance is for use on a nominal 120-volt circuit and has a grounding plug that looks like the plug illustrated in sketch A below. Make sure that the appliance is connected to an outlet having the same configuration as the plug. No adapter should be used with this appliance.

Adapter not applicable in Canada.



USER MAINTENANCE INSTRUCTIONS

All service and repair should be performed by qualified vacuum service representative or electrician. No user serviceable components are employed in the electrical vacuum lid head assembly. No lubrication of the motor is required.

CLOTH BAG & HOSE ASSY

Cloth bag and hose assy are user maintenance items and can be replaced when worn out. Cloth bags can be maintained by blowing dust off the bag and then laundered. Cloth bags should be completely dried before reinstalling into machine. For optimum performance, empty and clean filter bag regularly. A clogged and dirty bag restricts the flow of air and results in reduced vacuum. For liquid pickup, remove the dry dust filter bag. Check the automatic shut-off to be certain it is working properly. The hose assy can be maintained by wiping off with a dampened cloth of mild liquid soap and water, then allowed to dry.


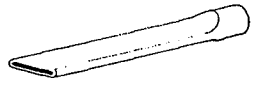
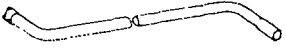




CORD STORAGE

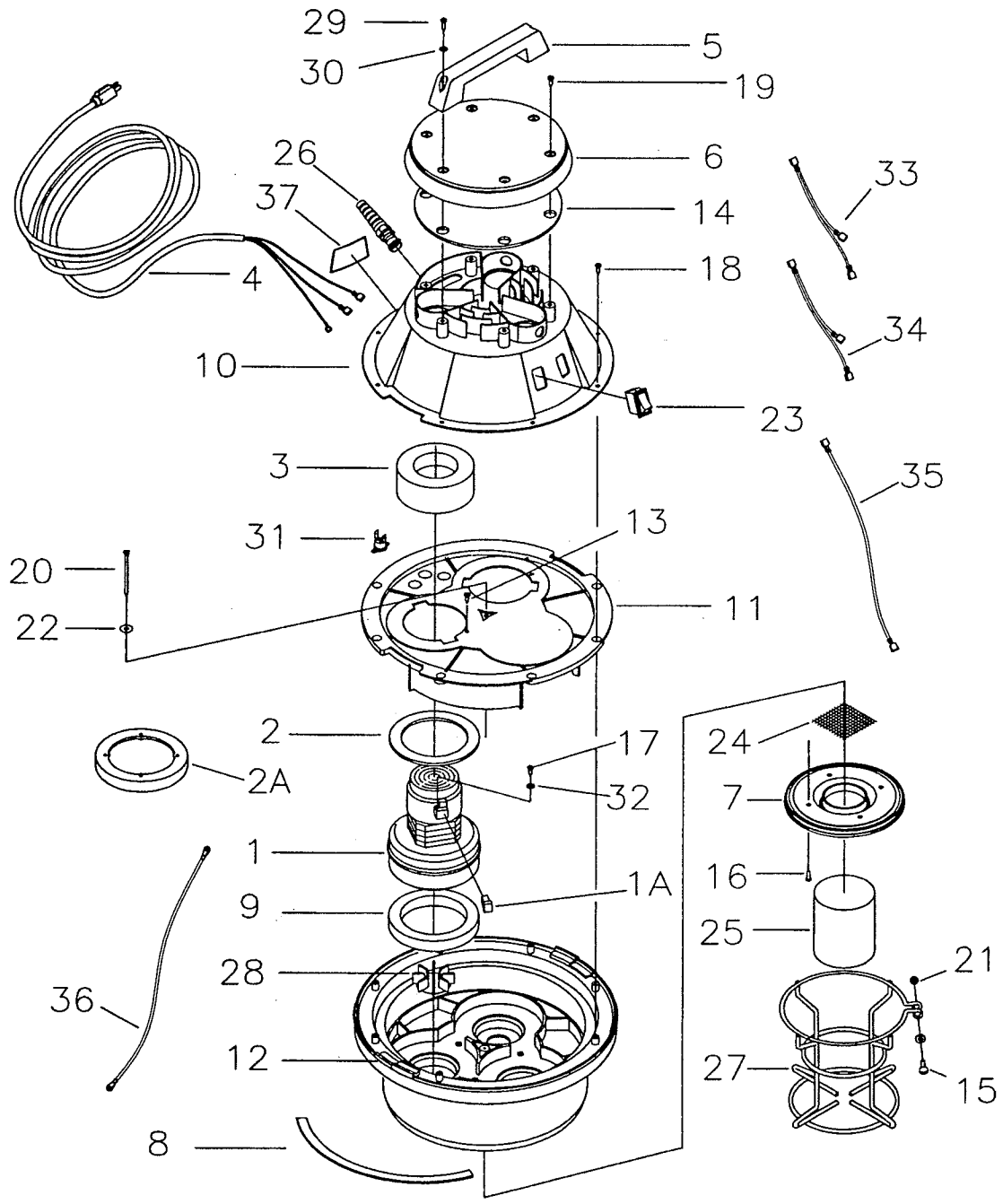
While not in use storage can be accomplished by winding cord around motor lid assy. Cord should be completely unwound from lid assy during operation.

- Do not use with damaged cord or plug. If appliance is not working as it should, has been dropped, damaged, left outdoors, or dropped in water, return to service center.
- Do not pull or carry by cord, use cord as handle, close a door on cord, or pull cord around sharp edges or corners. Do not run appliance over cord. Keep cord away from heated surfaces.
- Do not unplug by pulling cord. To unplug, grasp the plug, not the cord.
- Do not handle plug or appliance with wet hands.

Always unplug the machine when removing the motor head off the tank. This equipment should be stored indoors and not exposed to rain.

TOOLS AND ACCESSORIES

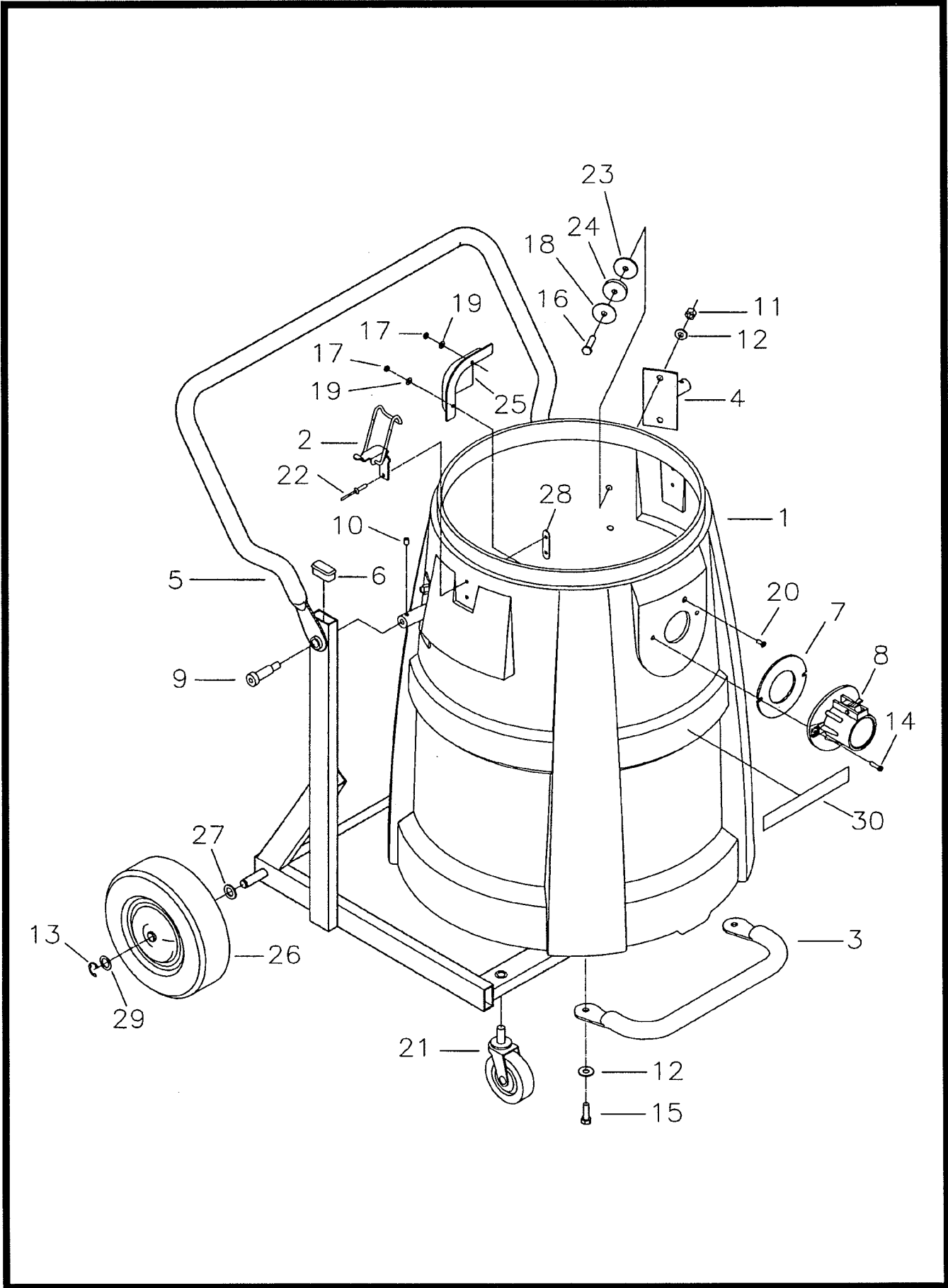
		Part No.	Description
A		800083 133249 800084	3" Rd. Dust Brush Complete Dust Brush HSG 3" Bristle Insert 3"
B		800035	12" Crev Tool Complete
C		290000	Wand Assy. 1-1/2, Complete
D		800317	Hose Assy. 1-1/2 x 10'
E		800603 800612 808648	14" Brush Tool Complete Brush Insert Tool
F		800124 731	5" Tool Only Without Insert Bristle Insert Replacement
G		800605 711128 800615 808648 500295 500296	14" Squeegee, Complete SCR #10 HILO 14" Retaining Strip Nozzle, Squeegee Blade Squeegee Blade Squeegee Reinforcement



Parts Listings

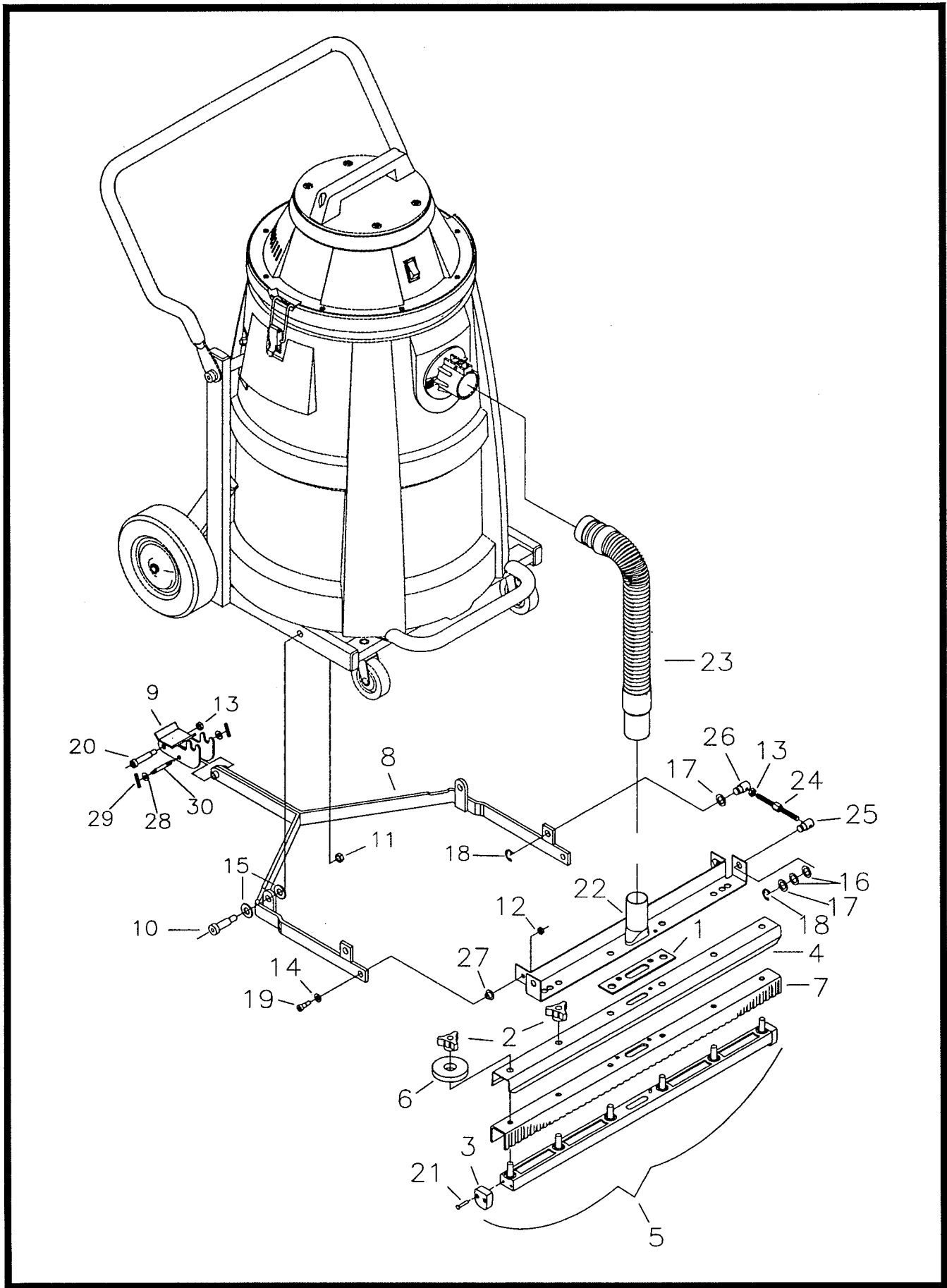
ITEM NO.	PART NO.	QUANTITY	DESCRIPTION
1	380001	AR	Vac Motor 115V
1A	740149	AR	Vacuum Motor 240V
1B	380028	AR	Carbon Brush Replacement
2	380035	AR	Gasket (230V only)
2A	290017	AR	Molded Vac Mtr Gasket
3	380064	2	Ring, Foam
4	381020	1	Power Cord 16-2 40'
4A	740600	1	Cord HO5 W-F 3G 1.5x50'
5	460000	1	Handle
6	460003	1	Cover
7	460011	1	Float Cage Adaptor
8	290030	1	Gasket Lid
9	460019	AR	Gasket
10	460071	1	Motor Cover, New Style, Twin
10A	460070	1	Motor Cover, New Style, Single
11	460041	1	Motor Hold-down 5.7 x 2
11A	460031	1	Motor Hold-down 5.7 x 1
12	460074	1	Motor Pan Assembly, Twin, New Style
12A	460073	1	Motor Pan Assembly, Single, New Style
13	711125	2	SCR-ST-B 10 x .50
14	460045	1	Dome Seal Gasket
15	710182	1	SCR-MC 1/4-20 x 1.00
16	711109	4	SCR-ST-B 12 x .50
17	711124	2	SCR-ST-B 10 x .37
18	711160	8	SCR Hi/Lo 10 x 5/8
19	711161	4	SCR Hi/Lo 10 x 3/4
20	711170	1	SCR 10 A Point x 3.5
21	711425	1	Nut-Flanged Wizz 1/4-20
22	711584	1	WSR - Finish
23	809754	AR	Switch Rocker
24	807051	1	Screen SS
25	830999	1	Float Assembly
26	833237	1	Strain Relief w/Nut
27	833454	1	Float Cage
28	460009	2	Vacuum Valve
29	711162	2	SCR Hi/Lo 10 x 1 1/2
30	712320	2	WSR - Nylon
31	740250	2	Thermodisc
32	711553	2	WSR-Internal Lock #10
33	740430	1	White Wire Assy
34	740431	1	Black Wire Assy
35	740529	2	16G Brown Wire Assy
36	750002	1	Ground Wire Assy Yellow
37	715086	1	Decal, Warning to Avoid

AR = As required



Parts Listings

ITEM NO.	PART NO.	QUANTITY	DESCRIPTION
1	390028	1	Tank 20 Gal. T/P
2	390035	2	Latch 390 Series
3	390069PTD	1	Tank Handle
4	390076	2	Tank Mtg. Plate
5	390080	1	Frame Weldment T/P
6	390084	8	Plastic End Cap
7	390087	1	Gasket Diecut
8	390110	1	Intake Assembly Aluminum
9	710992	2	Shoulder Blt. 1/2x1.25x3/8
10	711005	2	SCR-MC 10-24 x .31
11	711374	4	Nut - NLOC 5/16 - 18
12	711506	6	WSR - Flat 5/16 ST PL
13	711713	2	Retaining Ring - E
14	712532	2	SCR-MC 10 - 24 x 1.00 SS
15	710196	2	BLT-HH 5/16 - 18 x .62 PHIL
16	712576	4	SCR-MC 5/16 - 18 x 1.25 SS
17	712638	3	Nut Hex 10/24 SS Nyloc
18	712759	4	WSR - Flat SS
19	712764	3	WSR SS #10
20	712544	1	SCR-MC 10 - 24 x3/4 SS FH
21	804457	2	Caster Gray 3"
22	828893	4	Pop Rivet
23	828980	4	Gasket Seal
24	833756	4	Washer PE
25	900035	1	Defector, Intake
26	900008	2	Wheel 8"
27	711524	2	WSR - Wave
28	833831	2	Clamp Back Plate
29	711594	2	WSR-Flat .56x.88x.03
30	715383	1	Decal, MMAN

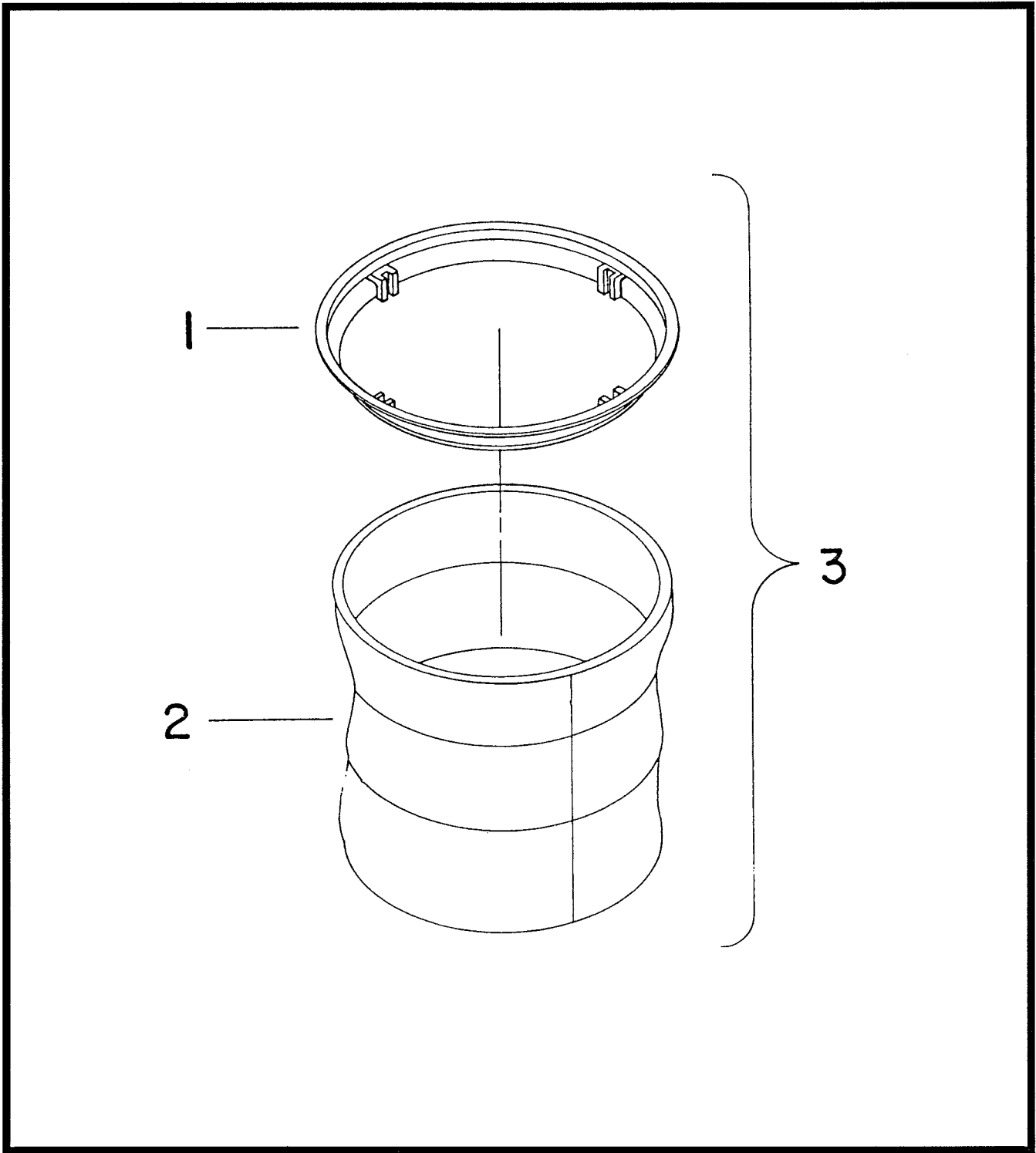


Parts Listings

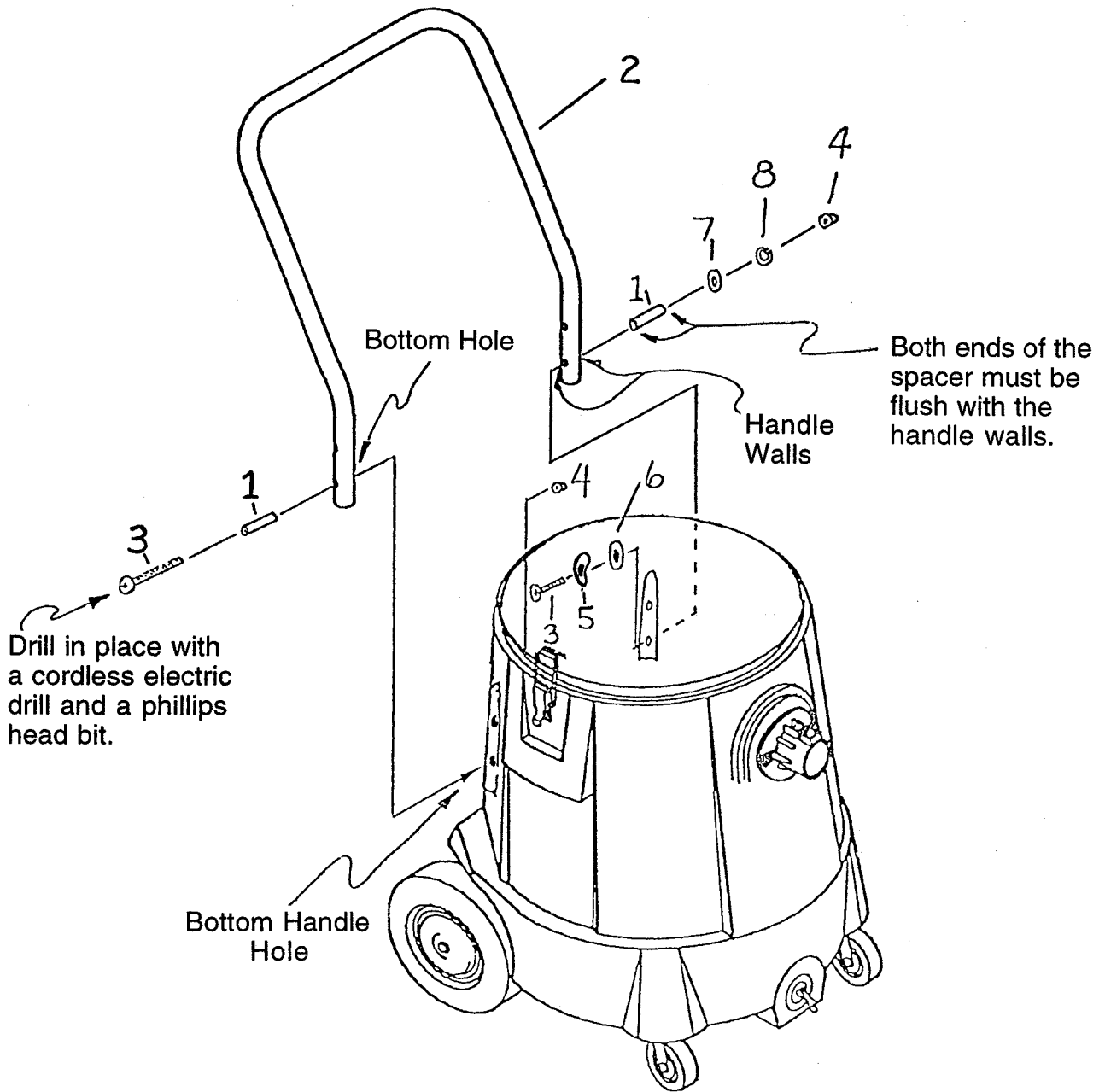
ITEM NO.	PART NO.	QUANTITY	DESCRIPTION
1	430073	1	Gasket
2	430074	6	Adjusting Nut
3	430076	2	Squeegee Insert
4	430078	1	U Profile
5	430079	1	Casting Squeegee Assembly
6	430085	2	Bumper Wheel
7	11-145	1	Squeegee Blade
8	470105	1	Squeegee Arm Weldment
9	470106	1	Foot Pedal
10	710992	2	Shoulder Blt. 1/2
11	711375	2	Nut-Nloc 3/8 - 16
12	711377	2	Nut-Lock 1/4 - 20
13	711420	3	Nut-Hex 5/16 - 18 STPL
14	711506	2	WSR-Flat 5/16
15	711509	4	WSR-Flat 1/2
16	711524	6	WSR-Wave
17	711594	1	WSR-Flat
18	711713	4	Retaining Ring
19	712041	2	BLT-SDER 1/4 - 20
20	712091	1	Shoulder Blt. 3/8
21	712517	4	SCR-MC 8/32
22	750139	1	Squeegee Mtg. Bkt. Assembly
23	750140	1	Vac Hose Assembly
24	750689	2	Stud, Adjusting
25	762256PLT	2	Nut Adj. LH
26	762257PLT	2	Nut Adj. RH
27	829052	2	Bushing
28	711505	2	WSR-Flat 1/4
29	711643	2	Rollpin .187x1.12 PLT
30	762084	1	Spring, Extension

ADJUSTMENTS

Angle of squeegee assembly can be adjusted if needed, by loosening nut 13 and turning item 25. Both sides may need adjusting so that squeegee blade is parallel to floor in down position.



ITEM NO.	PART NO.	QTY	DESCRIPTION
1	760131	1	Molded Bag Ring
2	805054	1	Cloth Bag Only
3	805058	XX	Cloth Bag Assy. Complete



PARTS LIST

Item	Part Number	Description
1	762399	Bushing .25 x .37.1
2	390031	Handle Plated, 390 Series
3	712570	SCR-MC 1/4-20 x 175 SS
4	711352	WSR-Flat .50 x 1.37 x 10
5	712761	Washer Special Curved
6	828980	Gasket
7	711505	Washer Flat 1/4
8	711544	WSR-Helical 1/4



HANDLE INSTALLATION FOR 290 TANK

(Numbers in () refer to picture number and part number)

1. Insert (1) spacer (762399) into the bottom hole on the side of the (2) handle (390031). Be sure the ends of the spacer are flush with the sides of the handle.
2. Insert (3) screw (712570) through the bottom handle hole & spacer. Insert screw until its threaded end is flush with the end of the spacer and the side of the handle.
3. Align threaded end of the screw with the bottom handle hole on the tank.
4. Thread the screw through the tank hole with a cordless drill and a phillips bit (A hand phillips screwdriver will work as well.) Hand tighten an (4) acorn nut (712510) onto the screw.
5. Prepare the remaining (3) three screws (712570) by placing a (5) curved washer (712761) and then a (6) rubber gasket (828980) over the end of the (3) screw (712570).
6. Insert a (1) spacer (762399) through the bottom handle hole opposite the hole with the retaining screw in it. The spacer ends must be flush with the handle walls.
7. Thread a screw/washer/gasket assembly (712570/712761/828980) through the inside of the tank handle hole and into the spacer.
8. While holding the spacer in place with a fingertip over the outside end, drive the screw the rest of the way through the tank wall and through the spacer. Use a cordless drill and phillips bit. (A hand phillips screwdriver will work as well.)
9. Place a (7) flatwasher (711505) and then a (8) lockwasher (711544) over the end of the exposed threads.
10. Hand tighten an (4) acorn nut (712510) on the screw end.
11. Repeat steps 6-10 for the remaining two bolts.
12. Remove the first retaining screw and repeat steps 5-10.
13. Tighten all four of the acorn nuts into place.



World Headquarters
Minuteman International, Inc.
111 South Rohlwing Road
Addison, Illinois 60101

(630) 627-6900
FAX (630) 627-1130

Minuteman Canada, Inc.
84-E Brunswick Blvd.
Dollard des Ormeaux
Quebec H9B 2C5

(514) 683-3880
FAX (514) 683-0809

5/18/95

988387



LIMITED WARRANTY

Minuteman International, Inc. warrants to the original purchaser/user that this product is free from defects in workmanship and materials under normal use and service for a period of two years from date of purchase. In addition, Minuteman International, Inc. will, at its option, honor labor warranty claims for the first 12 months from date of sale, provided such claims are submitted through and approved by factory authorized repair stations. Minuteman International, Inc. will, at its option, repair or replace without charge, except for transportation costs, parts that fail under normal use and service when operated and maintained in accordance with the applicable operation and instruction manuals.

This warranty does not apply to normal wear, or to items whose life is dependent on their use and care, such as belts, cords, switches, hoses, rubber parts, electrical motor components or adjustments. Parts not manufactured by Minuteman International, Inc. such as engines, batteries, battery chargers, hydraulic pumps, and tires are covered by and subject to the warranties and/or guarantees of their manufacturers. Please contact Minuteman International, Inc. for procedures in warranty claims against these manufacturers.

Special warning to purchaser — Use of replacement filters and/or prefilters not manufactured by Minuteman International, Inc. or its designated licensees, will void all warranties expressed or implied.

A potential health hazard exists without exact original equipment replacement.

All warranted items become the sole property of Minuteman International, Inc. or its original manufacturer, whichever the case may be.

Minuteman International, Inc. disclaims any implied warranty, including the warranty of merchantability and the warranty of fitness for a particular purpose. Minuteman International, Inc. assumes no responsibility for any special, incidental or consequential damages.

This limited warranty is applicable only in the U.S.A. and Canada, and is extended only to the original user/purchaser of this product. Customers outside the U.S.A. and Canada should contact their local distributor for export warranty policies. Minuteman International, Inc. is not responsible for costs or repairs performed by persons other than those specifically authorized by Minuteman International, Inc. This warranty does not apply to damage from transportation, alterations by unauthorized persons, misuse or abuse of the equipment, use of non-compatible chemicals, or damage to property, or loss of income due to malfunctions of the product.

If a difficulty develops with this machine, you should contact the dealer from whom it was purchased.

This warranty gives you specific legal rights, and you may have other rights which vary from state to state. Some states do not allow the exclusion or limitation of special, incidental or consequential damages, or limitations on how long an implied warranty lasts, so the above exclusions and limitations may not apply to you.

Minuteman[®]

World Headquarters
Minuteman International, Inc.
111 South Rohlwing Road
Addison, Illinois 60101

(630) 627-6900
FAX (630) 627-1130

Minuteman Canada, Inc.
2210 Drew Road
Mississauga, Ontario
L5S 1B1

(905) 673-3222
FAX (905) 673-5161

987208
Printed in U.S.A.