



Electronic Service Manuals

This electronic document is provided as a service to our customers. We do not create the contents of the information contained in this document. Should you have detailed questions pertaining to the information contained in this document, you may contact Michco, or the manufacturer which provided the original information in this electronic deliverable. Michco's only part in this electronic deliverable was the electronic assembly process.

You may contact Michco through the following methods:
Phone (517) 484-9312 or (800) 331-3339 MI, OH, IN only
2011 N. High St. -- Lansing, Michigan -- 48906
Fax: (517) 484-9836
Email: CustServ@Michco.com
Web site: www.Michco.Com
Parts Web site: www.FloorMachineParts.Com

Order Parts on Line at:
www.FloorMachineParts.Com

Directly to Parts & Service:
By Email: **Shop@Michco.com**
By Fax: (517) 702-2041
By Voice: Use numbers above.

Serving the Cleaning Industry Since 1922

Notice: All copyrighted material remains property of original owners, all trademarks are property of respective owners. Manuals are subject to Manufacturer's reproduction limitations. Originals or reproductions were provided by manufacturers through a request. We make no warranty as to the correctness of information provided in this document and you assume all risk.

290 Series Tank Vacuums 4-6 Gallon Units

Model:

C29485-02 Dry Only (115V)

C29486-02 Dry Only (240V)

C29486-00 Dry Only (240V)

C29485-05 Wet/Dry (115V)

C29685-06 Wet/Dry (115V)

C29486-05 Wet/Dry (240V)

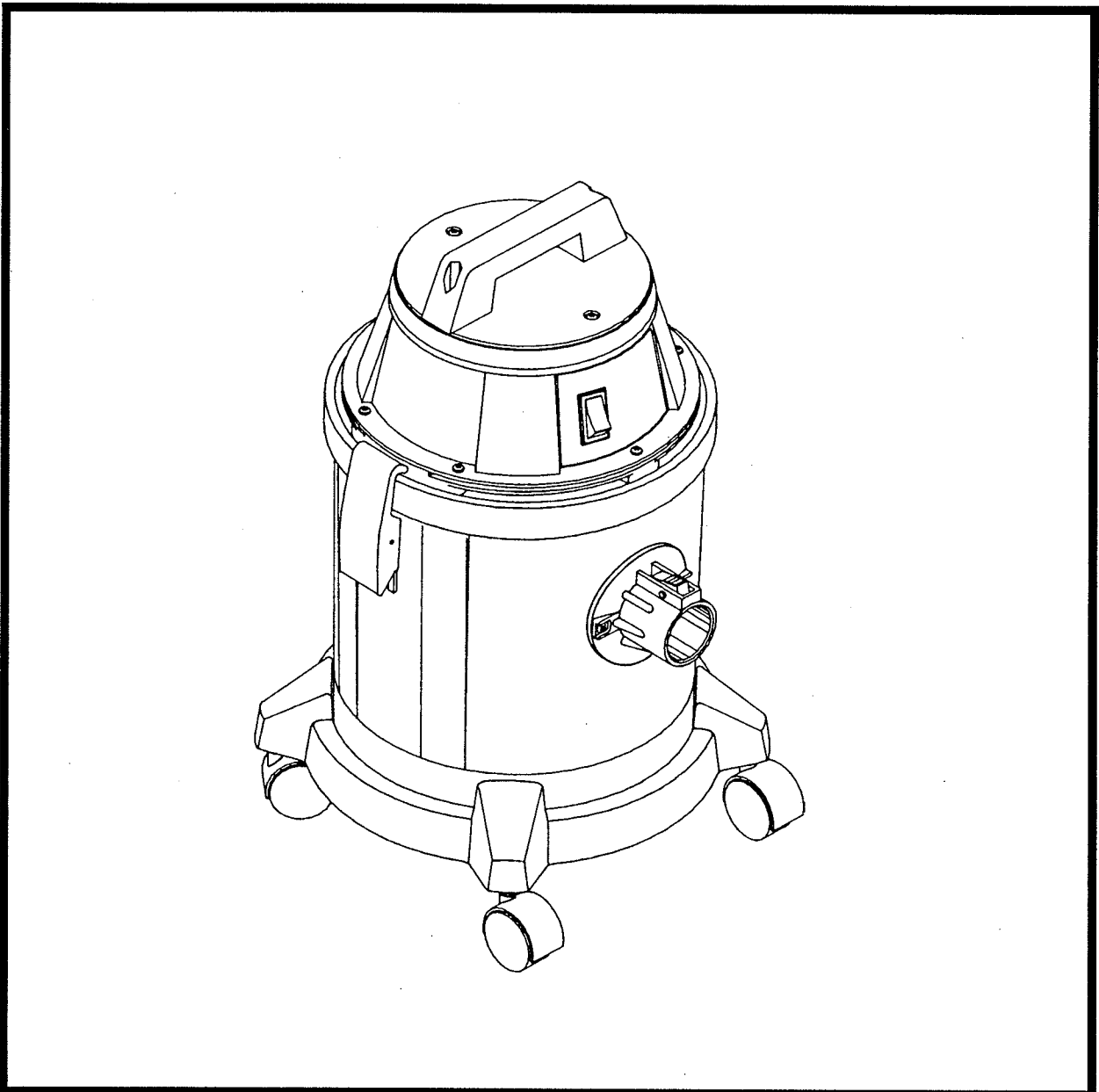
C29686-06 Wet/Dry (240V)

■ OPERATION

■ SERVICE

■ PARTS

■ CARE



Revised 7/01

Minuteman[®]

FOR COMMERCIAL USE ONLY

IMPORTANT SAFETY INSTRUCTIONS

When using an electrical appliance, basic precautions should always be followed, including the following:

READ ALL INSTRUCTIONS BEFORE USING

WARNING - To reduce the risk of fire, electric shock, or injury:

Do not leave appliance when plugged in. Unplug from outlet when not in use and before servicing.

WARNING: C29485-05, C29685-06 Wet/Dry 115V C29486-05, C29686-06 Wet/Dry 240V

To reduce the risk of electrical shock - Use indoors only.

WARNING: C29485-02, 04 Dry Only 115V C29486-02 Dry Only 240V

To reduce the risk of electrical shock - Do not use outdoors or on wet surfaces.

- Never allow children or untrained adults to operate this equipment.
- Keep the area of operation clear of all persons, particularly small children, and pets. Keep bystanders at least 25 feet away from the area of operation.
- Use only as described in this manual. Use only manufacturer's recommended attachments.
- Do not use with damaged cord or plug. If appliance is not working as it should, has been dropped, damaged, left outdoors, or dropped into water, return it to a service center.
- Do not pull or carry by cord, use cord as a handle, close a door on cord, or pull cord around sharp edges or corners. Do not run appliance over cord. Keep cord away from heated surfaces.
- Do not unplug by pulling on cord. To unplug, grasp the plug, not the cord.
- Do not handle plug or appliance with wet hands.
- Do not put any object into openings. Do not use with any opening blocked; keep free of dust, lint, hair, and anything that may reduce air flow.
- Keep hair, loose clothing, fingers, and all parts of body away from openings and moving parts.
- Do not pick up anything that is burning or smoking, such as cigarettes, matches, or hot ashes.
- Do not use without dustbag and/or filters in place.
- Turn off all controls before unplugging.
- Use extra care when cleaning on stairs.
- Do not use to pick up flammable or combustible liquids such as gasoline or use in areas where they may be present.
- Connect to a properly grounded outlet only. See grounding instructions.

SAVE THESE INSTRUCTIONS

INSPECTION

Carefully unpack and inspect your machine for shipping damage. Each unit is tested and thoroughly inspected before shipment, and any damage is the responsibility of the delivery carrier who should be notified immediately.

ELECTRICAL - 115 Volt

This machine is designed to operate on a standard 15 amp, 115 volt, 60 hz, AC circuit. Voltages below 105 volts AC or above 125 volts AC could cause serious damage to the motor.

ELECTRICAL - 240 Volt

This machine is designed to operate on a standard 10 amp, 230 volt, 50 hz, AC circuit.

WARNING

Electric motors can cause explosions when operated near explosive materials or vapors. Do not operate this machine near flammable materials such as solvents, thinners, fuels, grain dust, etc.

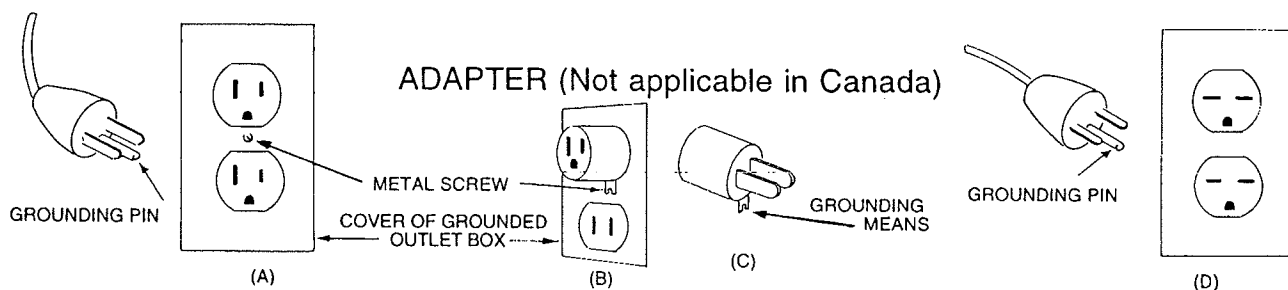
GROUNDING INSTRUCTIONS

This appliance must be grounded. If it should malfunction or breakdown, grounding provides a path of least resistance for electric current to reduce the risk of electric shock. This appliance is equipped with a cord having an equipment-grounding conductor and grounding plug. The plug must be plugged into an appropriate outlet that is properly installed and grounded in accordance with all local codes and ordinances.

DANGER - Improper connection of the equipment-grounding conductor can result in a risk of electric shock. Check with a qualified electrician or service person if you are in doubt as to whether the outlet is properly grounded. Do not modify the plug provided with the appliance — if it will not fit the outlet, have a proper outlet installed by a qualified electrician.

This machine is for use on a nominal 120 volt circuit and has a grounding plug that looks like the plug illustrated in Sketch A. Make sure that the machine is connected to an outlet having the same configuration as the plug. No adapter should be used with this appliance.

For equipment rated 150-250 volts: If the machine is provided with an attachment plug as shown in Sketch B, it is intended for use on a 240 volt (nominal) circuit. No adapter is available for this plug.



USER MAINTENANCE INSTRUCTIONS

All service and repair should be performed by qualified vacuum service representative or electrician. No user serviceable components are employed in the electrical vacuum lid head assembly. No lubrication of the motor is required.

CLOTH BAG & HOSE ASSEMBLY

Cloth bag and hose assembly are user maintenance items and can be replaced when worn out. Cloth bags can be maintained by blowing dust off of the bag and then laundered. Cloth bags should be completely dried before re-installing into machine. For optimum performance, empty and clean filter bag regularly. A clogged and dirty bag restricts the flow of air and results in reduced vacuum. Wet & Dry Models Only, remove the dry dust filter bag. Check the automatic shut-off to be certain it is working properly. The hose assembly can be maintained by wiping off with a dampened cloth of mild liquid soap and water, then allowed to dry.

CORD STORAGE

While not in use storage can be accomplished by winding cord around motor lid assembly. Cord should be completely unwound from lid assembly during operation.

- Do not use with damaged cord or plug. If appliance is not working as it should, has been dropped, damaged, left outdoors, or dropped into water, return to service center.
- Do not pull or carry by cord, use cord as handle, close a door on cord, or pull cord around sharp edges or corners. Do not run appliance over cord. Keep cord away from heated surfaces.
- Do not unplug by pulling cord. To unplug, grasp the plug, not the cord.
- Do not handle plug or appliance with wet hands.
- Always unplug the machine when removing the motor head off the tank. This equipment should be stored indoors and not exposed to rain.

POUR USAGE COMMERCIAL SEULEMENT

MODE D'EMPLOI SECURITAIRE

Lorsque l'on utilise un appareil électrique, des précautions de base doivent toujours être suivies telles que:

BIEN LIRE LE MODES D'EMPLOI AVANT USAGE

AVERTISSEMENT - Pour réduire les risques de feu, choc électrique ou blessure:

- Ne pas quitter l'appareil lorsque la prise de courant est branchée. Débrancher de la sortie électrique lorsque la machine n'est pas en usage ou pour en faire le service.

**AVERTISSEMENT: C29485-05, C29685-06 Wet/Dry 115V
C29486-05, C29686-06 Wet/Dry 240V**

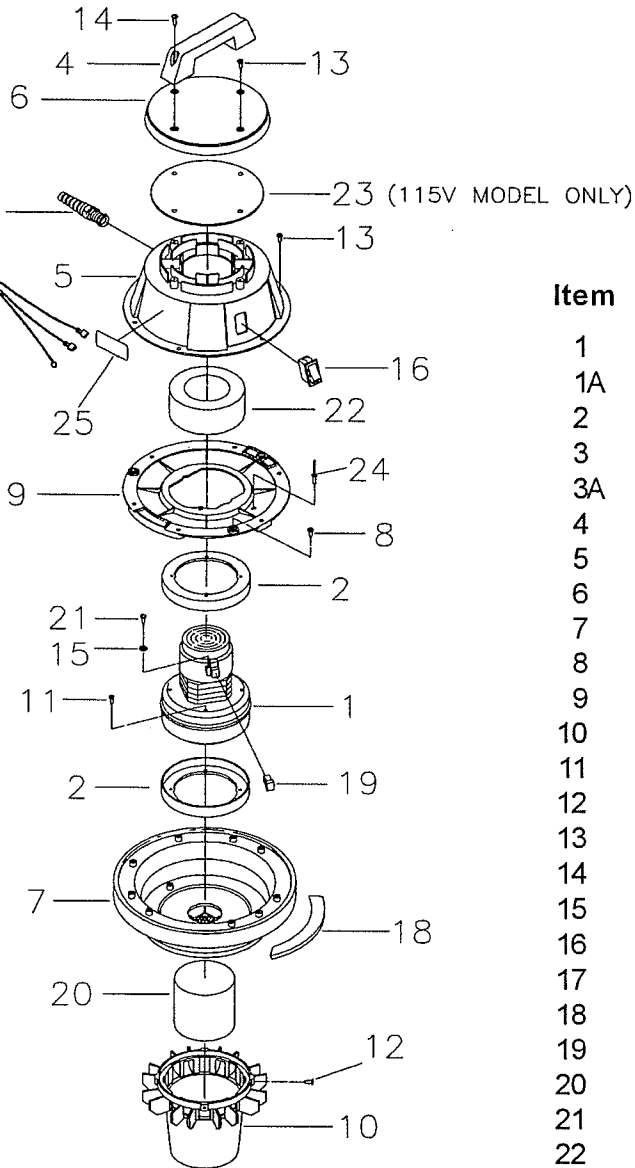
Pour éviter des chocs électriques, utilisez à l'intérieur seulement.

**AVERTISSEMENT: C29485-02, 04 Dry Only 115V
C29486-02 Dry Only 240V**

Pour éviter des chocs électriques, utilisez à l'intérieur seulement. Ne pas utiliser dehors ou sur une surface humide.

- Ne jamais laisser des enfants ou des adultes inexpérimentés faire fonctionner cet appareil.
- Garder la zone de fonctionnement libre de toute personne, particulièrement les petits enfants et les animaux. Garder les spectateurs à une distance d'au moins 7,6 mètres (25 pieds de la zone de fonctionnement).
- Utiliser tel que prescrit dans le livre d'opération et seulement avec les attachements recommandés par le fabricant.
- Ne pas s'en servir avec corde ou prise de courant endommagée. Si l'appareil ne fonctionne pas ou a été échappé, endommagé, entreposé à l'extérieur ou déposé dans l'eau, l'appareil devrait être envoyé à un département de service pour inspection.
- Ne pas tirer ou porter par le câble ou se servir du câble comme poignée. Ne pas fermer de portes sur le câble ou tirer le câble près d'objets pointus. Ne pas conduire l'appareil en écrasant le câble et soyez certain de protéger le câble entre toutes surfaces de chauffage.
- Ne pas débrancher en se servant du câble. Pour débrancher tirer sur la prise et non sur le câble.
- Ne pas manipuler la prise ou l'appareil avec les mains mouillées.
- Ne placer aucun objet dans la sortie et ne pas s'en servir si la sortie est obstruée. Eliminer toute poussière, maillon, cheveux ou quoique ce soit qui pourrait réduire le mouvement d'air.
- N'exposer aucun cheveux, vêtement, doigts ou autres aux ouvertures de l'appareil.
- Ne rien ramasser de ce qui brûle ou de fumée tels que cigarettes, allumettes ou cendres en feu.
- Ne pas employer sans filtre de poussière ou autre en position.
- Fermer tous les contrôles après utilisation.
- Soyez très prudent lors du nettoyage d'escaliers.
- Ne pas ramasser de liquide inflammable ou combustible tel que gazoline et ne pas utiliser dans les endroits où ces derniers pourraient être présent.
- Brancher dans une prise avec une prise de terre seulement. Voir références pour prise de terre.

**CONSERVEZ CES RECOMMANDATIONS
DE MODE D'EMPLOI**

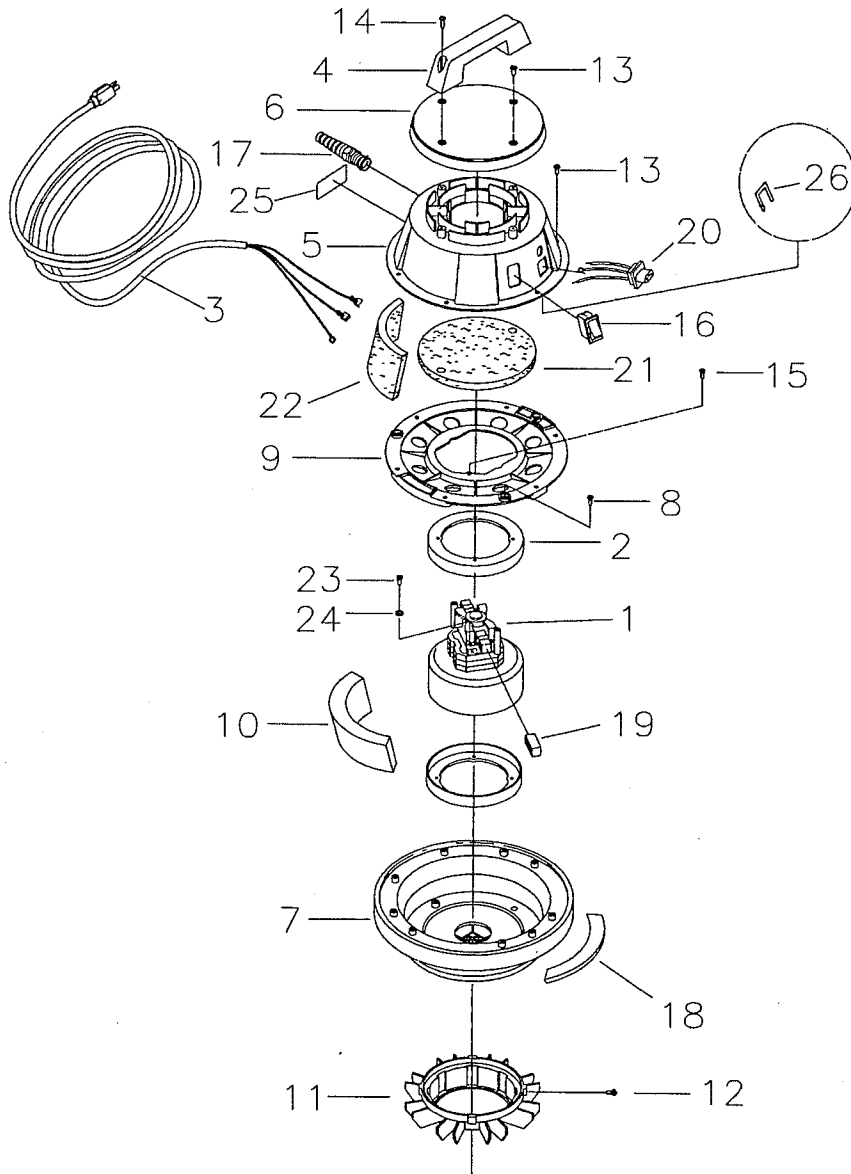


LID ASSEMBLY WET/DRY

Parts List

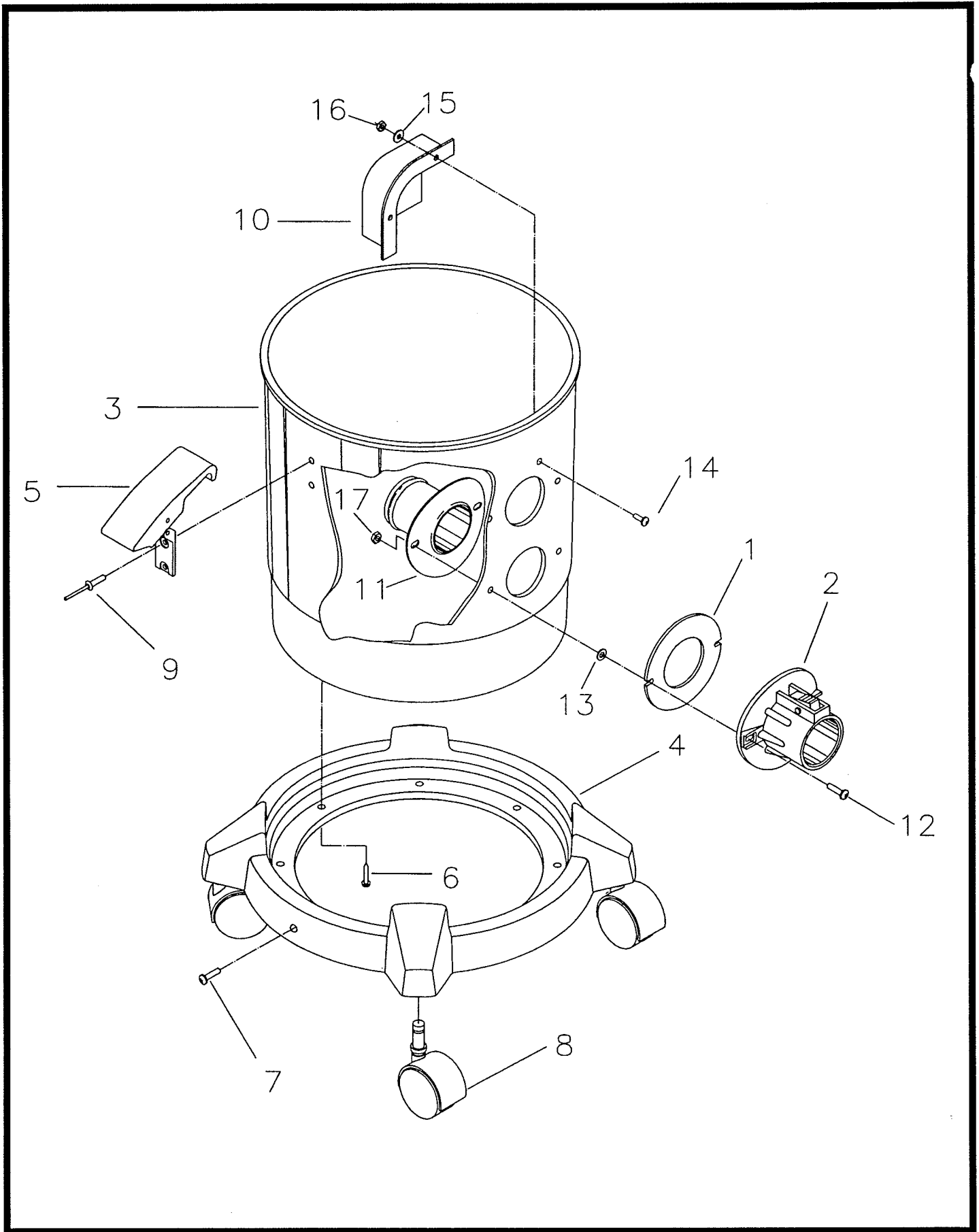
Item	Part No.	Qty.	Description
1	380001	1	Vac Motor 115V
1A	380054	1	Vac Motor 240V
2	290017	2	Molded Vac Motor Gasket
3	381020	1	Grey Cord Set 16-3 50'
3A	740600	1	Cord HO5 VV-F3G 1.5 50'
4	460001	1	Handle
5	460100	1	Motor Lid Cover
6	460101	1	Motor Cap
7	460116	1	Motor Pan Assembly
8	711125	3	SCR-ST-B 10 x .50
9	460104	1	Motor Hold Down Plate
10	460105	1	Float Cage
11	711160	1	SCR HI/LO 10 x .62
12	711128	4	SCR HI/LO 8 x .62 PL
13	711161	8	SCR HI/LO 10 x .75
14	711162	2	SCR HI/LO 10 x 1.50
15	711553	1	WSR-Internal Lock 10
16	809754	1	Switch Rocker
17	833237	1	Strain Relief w/ Nut
18	290031	1	Lid Gasket
19	380028	2	Carbon Brush
20	460117	1	Float Assembly
21	711124	1	SCR-ST-B 10 x .37
22	380064	1	Ring, Foam
23	290032	1	Dome Seal
24	828893	1	Rivet Bap KTR64BX
25	715009	1	Decal, Warning to Avoid
***	296115	1	Lid Assembly Complete Wet/Dry
***	296230	1	Lid Assembly Complete Wet/Dry 230V

LID ASSEMBLY DRY ONLY



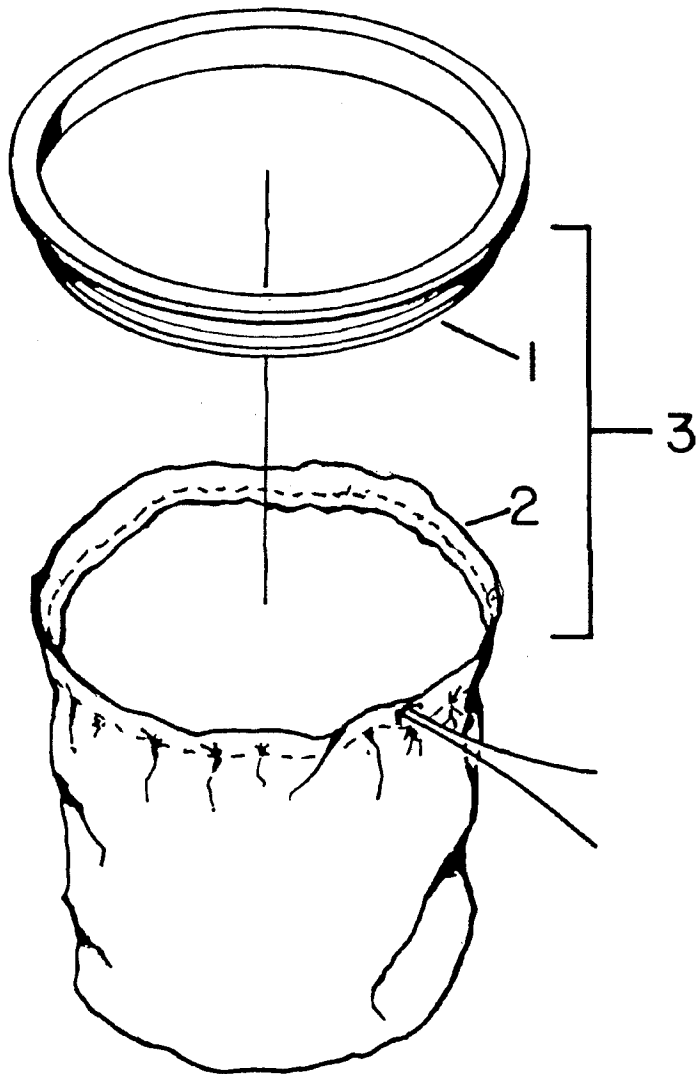
Parts List

Item	Part No.	Qty.	Description
1	381001	1	Vac Motor 115V
1A	381044	1	Vac Motor 240V
2	290017	2	Molded Vac Motor Gasket
3	740600	1	Power Cord 50' (240V only)
3A	740705	1	Power Cord Upright Grey
4	460001	1	Handle
5	832201	1	Motor Lid Cover
6	460101	1	Motor Cap
7	460116	1	Motor Pan Assembly
8	711125	3	SCR-ST-B 10 x .50
9	832637	1	Motor Hold Down 294
10	832219	1	Diffuser Foam
11	460106	1	Bag Guard
12	711128	4	SCR-ST-B HI-LO 8 x .62
13	711161	8	SCR HI/LO 10 x 3/4
14	711162	2	SCR HI/LO 10 x 1 1/2
15	711160	1	Screw 10 x 5/8
16	809754	1	Switch
17	833237	1	Strain Relief
18	290031	1	Lid Gasket
19	380028	2	Carbon Brush Replacement
20	831801	1	Receptacle
21	832197	1	Felt Upper Dome
22	832198	1	Felt Outer Dome
23	711124	1	SCR-ST-B 10x.37 NI
24	711553	2	Lock Washer #10
25	715015	2	Decal, Warning
26	831801	1	Receptacle Clip
***	294110	1	Lid Assy. Complete 115V Dry
***	294220	1	Lid Assy. Complete 230V Dry



Parts List


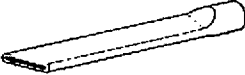
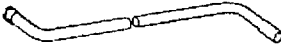

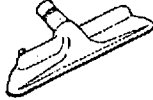


Item	Part No.	Qty.	Description
1	390087	1	Gasket Diecut Poron Intake
2	390100	1	Intake Assy. Complete
3	460110	1	Tank 6 Gal. High Intake
3A	460111	1	Tank 4 Gal. Low Intake
3B	460112	1	Tank 4 Gal. High Intake
4	460113	1	Caster Bracket
5	460114	2	Latch Poly Tank
6	711160	4	SCR HI/LO 10 x 5/8 PL
8	460118	4	Caster
9	828893	7	Pop Rivet
10	900035	1	Deflector, Intake
11	750118	1	Intake Assy. Tube 4/6 Gal.
12	712824	2	SCR-THMS 10-224x.75 STPL
13	712320	2	Nylon Washer
14	710530	1	SCR-MC 8-32x.50
15	712764	1	Washer SS #10
16	711372	1	Lock Nut 8-32
17	712638	2	Hex Nut 10/24 SS Nyloc
***	294000	1	Tank Assy 4 Gal Hi DF&WB
***	294005	1	Tank Assy 4 Gal Li IT&WB
***	296000	1	Tank Assy 6 Gal Hi DF&WB

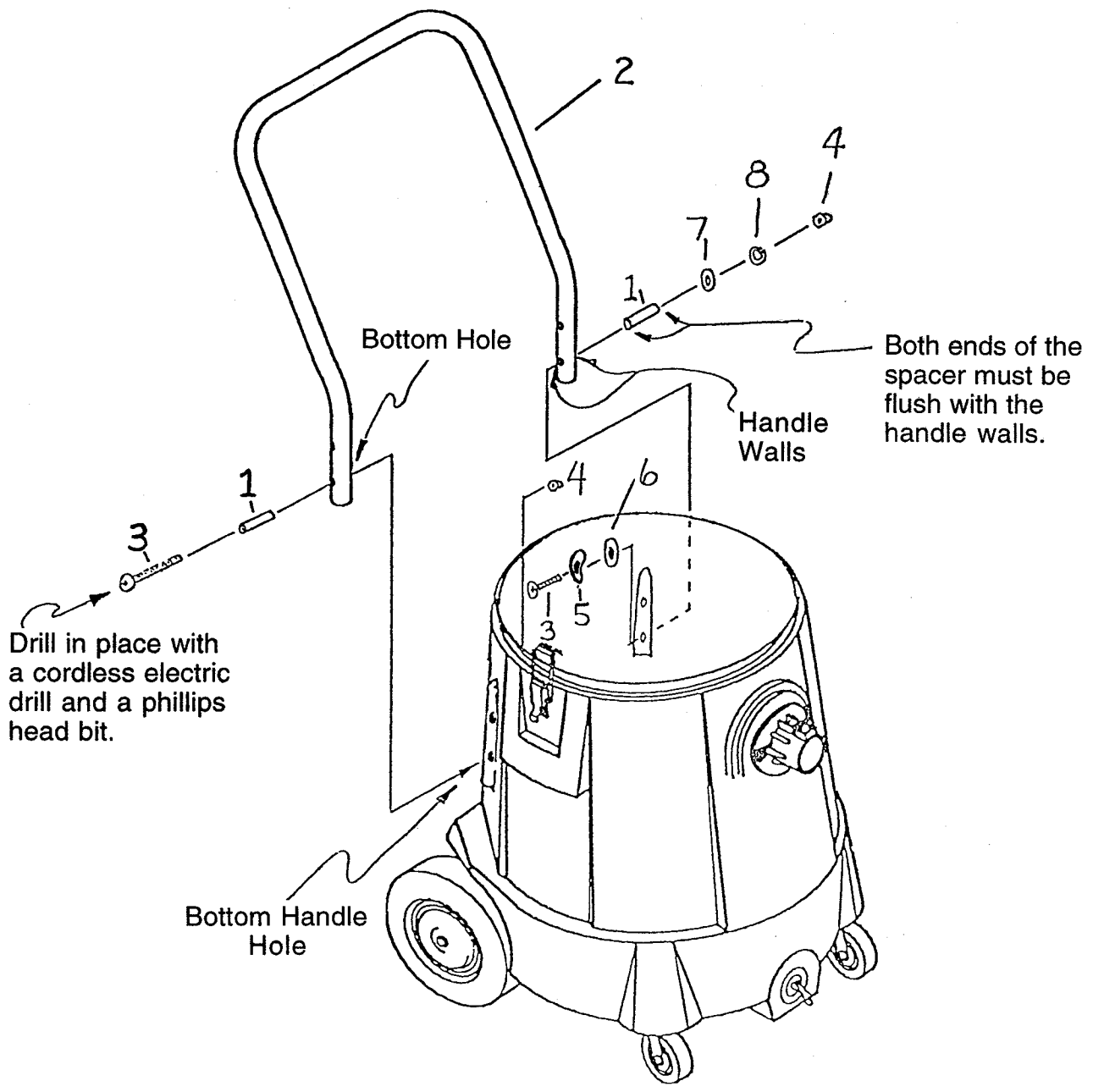


Parts List

Item	Part No.	Qty.	Description
1	760244	1	Molded Bag Ring
2	805043	1	Cloth Filter 4 Gallon
2a	805040	1	Cloth Filter 6 Gallon
3	805044	1	Bag Assy. Complete 4 Gallon
3a	805041	1	Bag Assy. Complete 6 Gallon

TOOLS AND ACCESSORIES

		Part No.	Description
A		800083 133249 800084	3" Rd Dust Brush Complete Dust Brush HSG 3" Bristle Insert 3"
B		800035	12" Crev Tool Complete
C		290000	Wand Assy 1-1/2, Complete
D		800303	Hose Asy 1-1/2 x 10'
E		601032 808397 17916	11" Floor Tool, Complete Nozzle Floor Brush Replacement
F		800124 731	5" Tool Only Without Insert Bristle Insert Replacement
G		800605 711128 800615 808648 500295 500296	C29485-02 C29685-06 C29486-02 C29686-06 14" Squeegee, Complete SCR #10 HI/LO 14" Retaining Strip Nozzle, Squeegee Blade Squeegee Blade Squeegee Reinforcement



PARTS LIST

Item	Part Number	Description
1	762399	Bushing .25 x .37.1
2	390031	Handle Plated, 390 Series
3	712570	SCR-MC 1/4-20 x 175 SS
4	711352	WSR-Flat .50 x 1.37 x 10
5	712761	Washer Special Curved
6	828980	Gasket
7	711505	Washer Flat 1/4
8	711544	WSR-Helical 1/4



HANDLE INSTALLATION FOR 290 TANK

(Numbers in () refer to picture number and part number)

1. Insert (1) spacer (762399) into the bottom hole on the side of the (2) handle (390031). Be sure the ends of the spacer are flush with the sides of the handle.
2. Insert (3) screw (712570) through the bottom handle hole & spacer. Insert screw until its threaded end is flush with the end of the spacer and the side of the handle.
3. Align threaded end of the screw with the bottom handle hole on the tank.
4. Thread the screw through the tank hole with a cordless drill and a phillips bit (A hand phillips screwdriver will work as well.) Hand tighten an (4) acorn nut (712510) onto the screw.
5. Prepare the remaining (3) three screws (712570) by placing a (5) curved washer (712761) and then a (6) rubber gasket (828980) over the end of the (3) screw (712570).
6. Insert a (1) spacer (762399) through the bottom handle hole opposite the hole with the retaining screw in it. The spacer ends must be flush with the handle walls.
7. Thread a screw/washer/gasket assembly (712570/712761/828980) through the inside of the tank handle hole and into the spacer.
8. While holding the spacer in place with a fingertip over the outside end, drive the screw the rest of the way through the tank wall and through the spacer. Use a cordless drill and phillips bit. (A hand phillips screwdriver will work as well.)
9. Place a (7) flatwasher (711505) and then a (8) lockwasher (711544) over the end of the exposed threads.
10. Hand tighten an (4) acorn nut (712510) on the screw end.
11. Repeat steps 6-10 for the remaining two bolts.
12. Remove the first retaining screw and repeat steps 5-10.
13. Tighten all four of the acorn nuts into place.



World Headquarters
Minuteman International, Inc.
111 South Rohlwing Road
Addison, Illinois 60101

(630) 627-6900
FAX (630) 627-1130

Minuteman Canada, Inc.
84-E Brunswick Blvd.
Dollard des Ormeaux
Quebec H9B 2C5

(514) 683-3880
FAX (514) 683-0809

5/18/95

988387

LIMITED WARRANTY

Minuteman International, Inc. warrants to the original purchaser/user that this product is free from defects in workmanship and materials under normal use and service for a period of two years from date of purchase. In addition, Minuteman International, Inc. will, at its option, honor labor warranty claims for the first 12 months from date of sale, provided such claims are submitted through and approved by factory authorized repair stations. Minuteman International, Inc. will, at its option, repair or replace without charge, except for transportation costs, parts that fail under normal use and service when operated and maintained in accordance with the applicable operation and instruction manuals.

This warranty does not apply to normal wear, or to items whose life is dependent on their use and care, such as belts, cords, switches, hoses, rubber parts, electrical motor components or adjustments. Parts not manufactured by Minuteman International, Inc. such as engines, batteries, battery chargers, hydraulic pumps, and tires are covered by and subject to the warranties and/or guarantees of their manufacturers. Please contact Minuteman International, Inc. for procedures in warranty claims against these manufacturers.

Special warning to purchaser — Use of replacement filters and/or prefilters not manufactured by Minuteman International, Inc. or its designated licensees, will void all warranties expressed or implied.

A potential health hazard exists without exact original equipment replacement.

All warranted items become the sole property of Minuteman International, Inc. or its original manufacturer, whichever the case may be.

Minuteman International, Inc. disclaims any implied warranty, including the warranty of merchantability and the warranty of fitness for a particular purpose. Minuteman International, Inc. assumes no responsibility for any special, incidental or consequential damages.

This limited warranty is applicable only in the U.S.A. and Canada, and is extended only to the original user/purchaser of this product. Customers outside the U.S.A. and Canada should contact their local distributor for export warranty policies. Minuteman International, Inc. is not responsible for costs or repairs performed by persons other than those specifically authorized by Minuteman International, Inc. This warranty does not apply to damage from transportation, alterations by unauthorized persons, misuse or abuse of the equipment, use of non-compatible chemicals, or damage to property, or loss of income due to malfunctions of the product.

If a difficulty develops with this machine, you should contact the dealer from whom it was purchased.

This warranty gives you specific legal rights, and you may have other rights which vary from state to state. Some states do not allow the exclusion or limitation of special, incidental or consequential damages, or limitations on how long an implied warranty lasts, so the above exclusions and limitations may not apply to you.

Minuteman[®]

World Headquarters
Minuteman International, Inc.
111 South Rohlwing Road
Addison, Illinois 60101

Minuteman Canada, Inc.
2210 Drew Road
Mississauga, Ontario
L5S 1B1

(630) 627-6900
FAX (630) 627-1130

(905) 673-3222
FAX (905) 673-5161

987214
Printed in U.S.A.