



Electronic Service Manuals

This electronic document is provided as a service to our customers. We do not create the contents of the information contained in this document. Should you have detailed questions pertaining to the information contained in this document, you may contact Michco, or the manufacturer which provided the original information in this electronic deliverable. Michco's only part in this electronic deliverable was the electronic assembly process. By providing this manual on line we are not guaranteeing parts availability.

You may contact Michco through the following methods:

Phone (517) 484-9312 or (800) 331-3339

2011 N. High St. -- Lansing, Michigan -- 48906

Fax: (517) 484-9836

Email: CustServe@Michco.com

Web site: www.Michco.Com

Parts Web site: www.FloorMachineParts.Com

Order Parts on Line at:

www.FloorMachineParts.Com

Directly to Parts & Service:

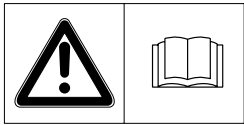
By Email: **Shop@Michco.com**

By Fax: (517) 702-2041

By Voice: Use numbers above.

Serving the Cleaning Industry Since 1922

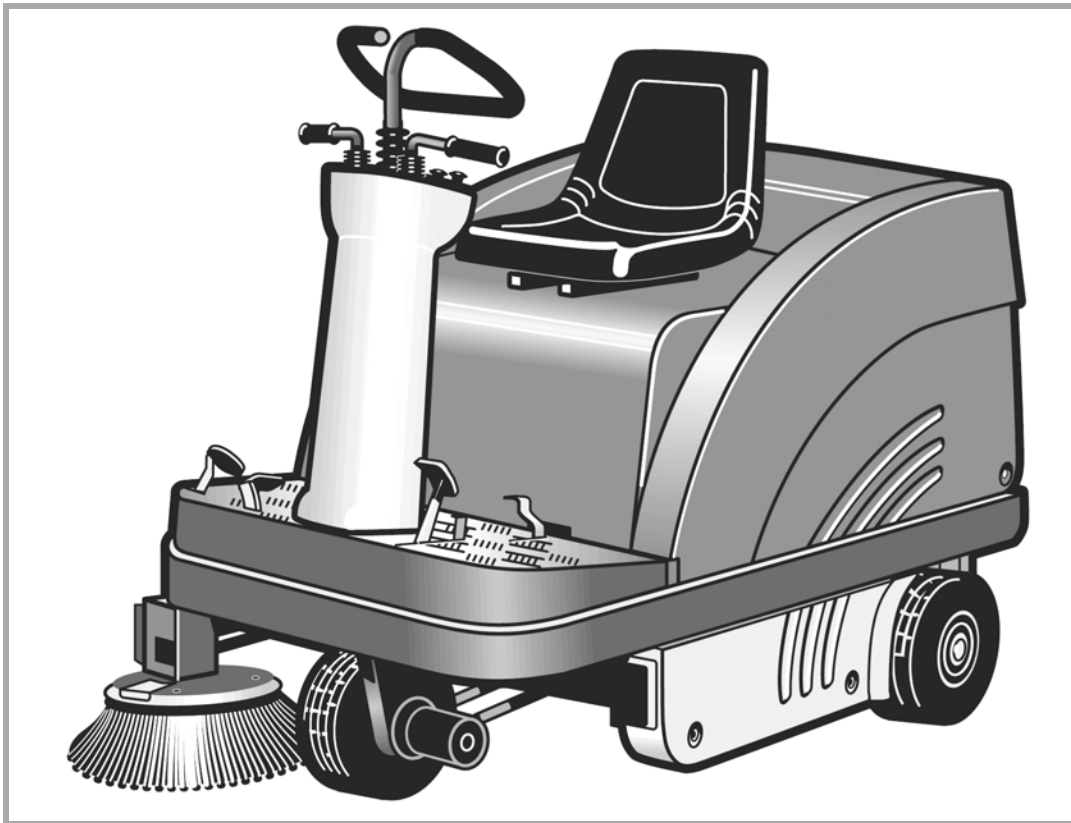
Notice: All copyrighted material remains property of original owners, all trademarks are property of respective owners. Manuals are subject to Manufacturer's reproduction limitations. Originals or reproductions were provided by manufacturers through a request. We make no warranty as to the correctness of information provided in this document and you assume all risk. By placing these manuals on line we are not declaring our corporation to be an manufacturer authorized dealer or provider, please check our web site for authorized manufacturers we represent.



Kleen Sweep 40R/47R

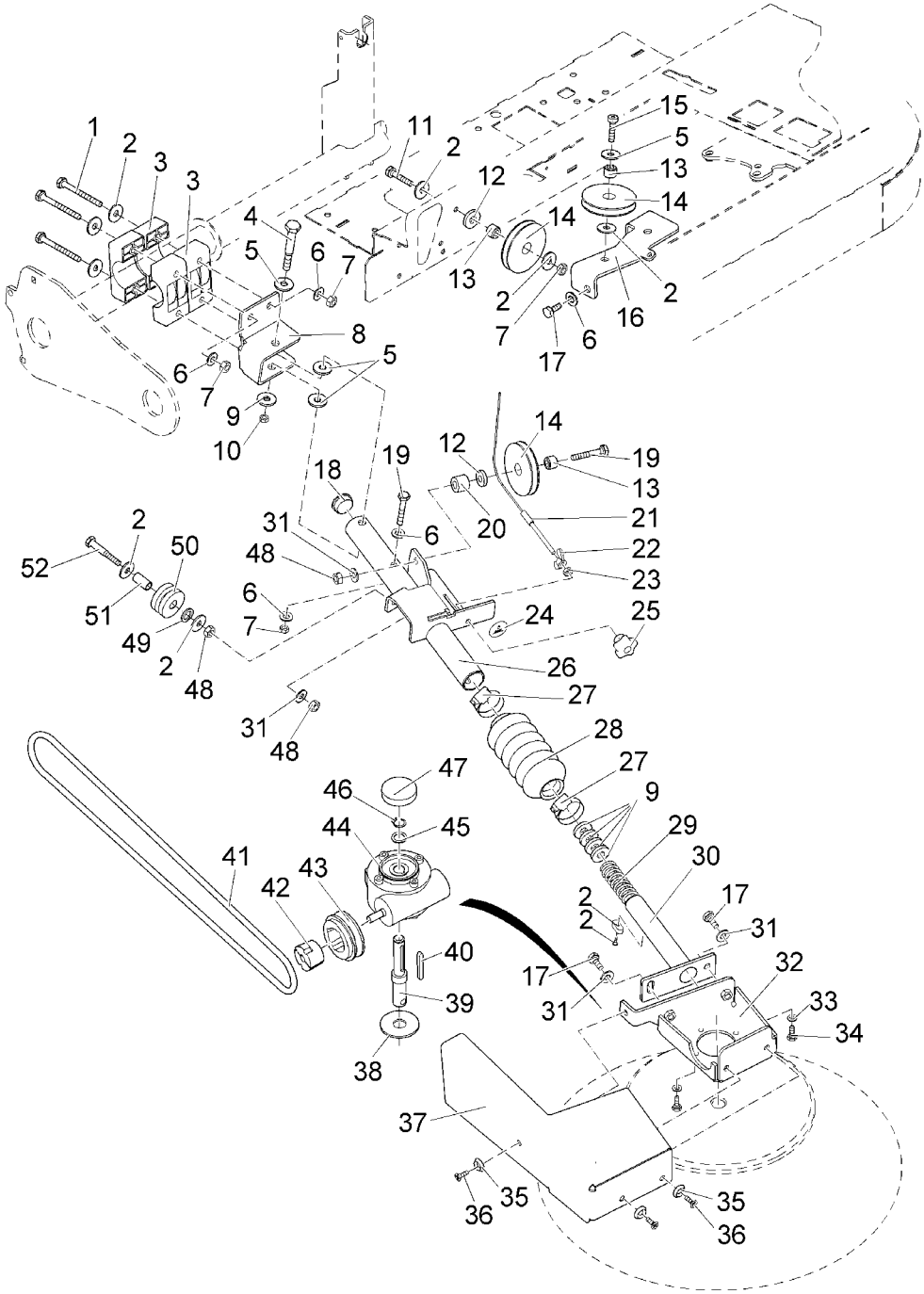
Model: HM40B, HM47B, HM40BQP, HM47BQP, HM40QP, HM50QP

Spare Parts Catalog

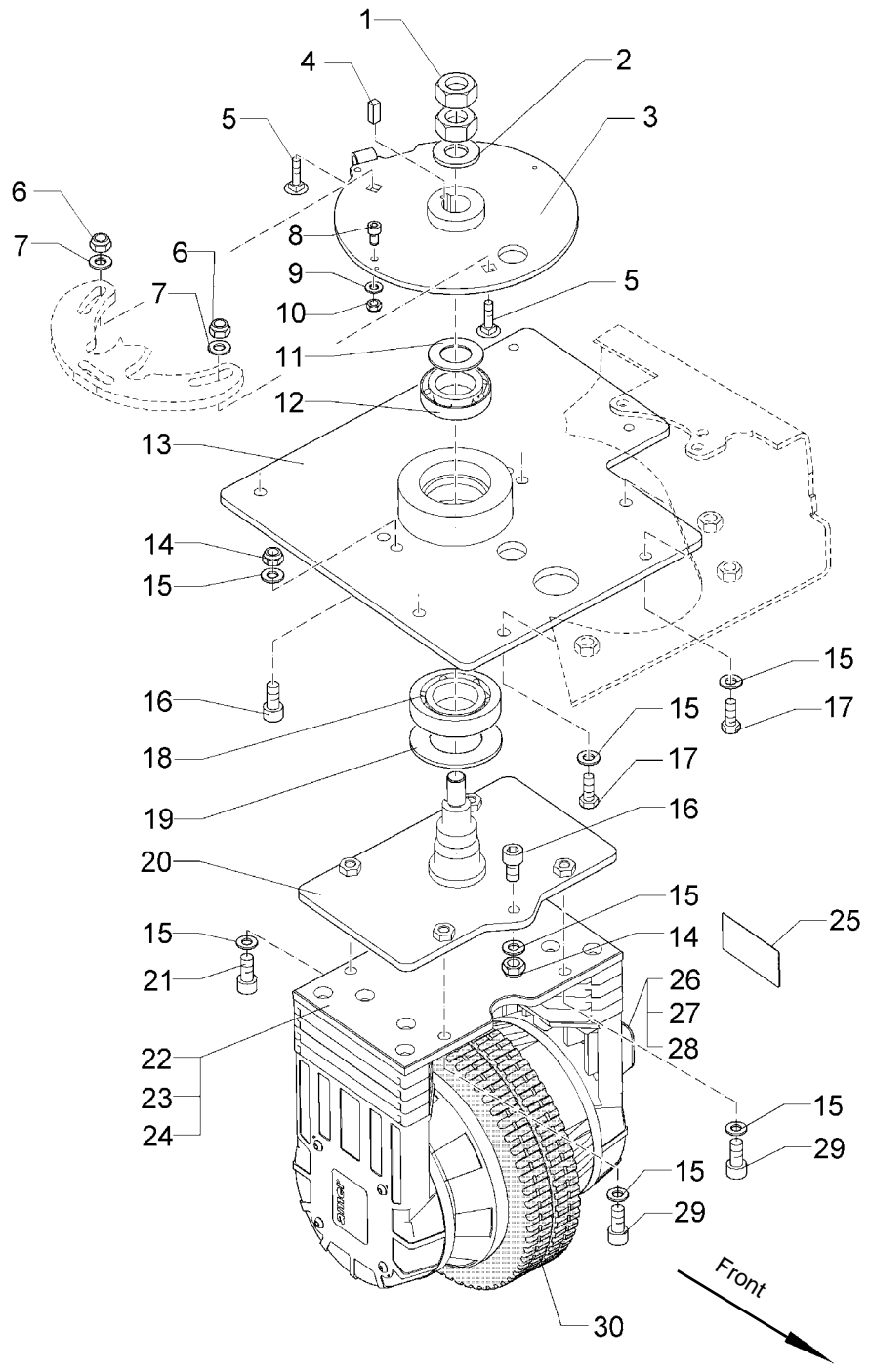


Minuteman[®]

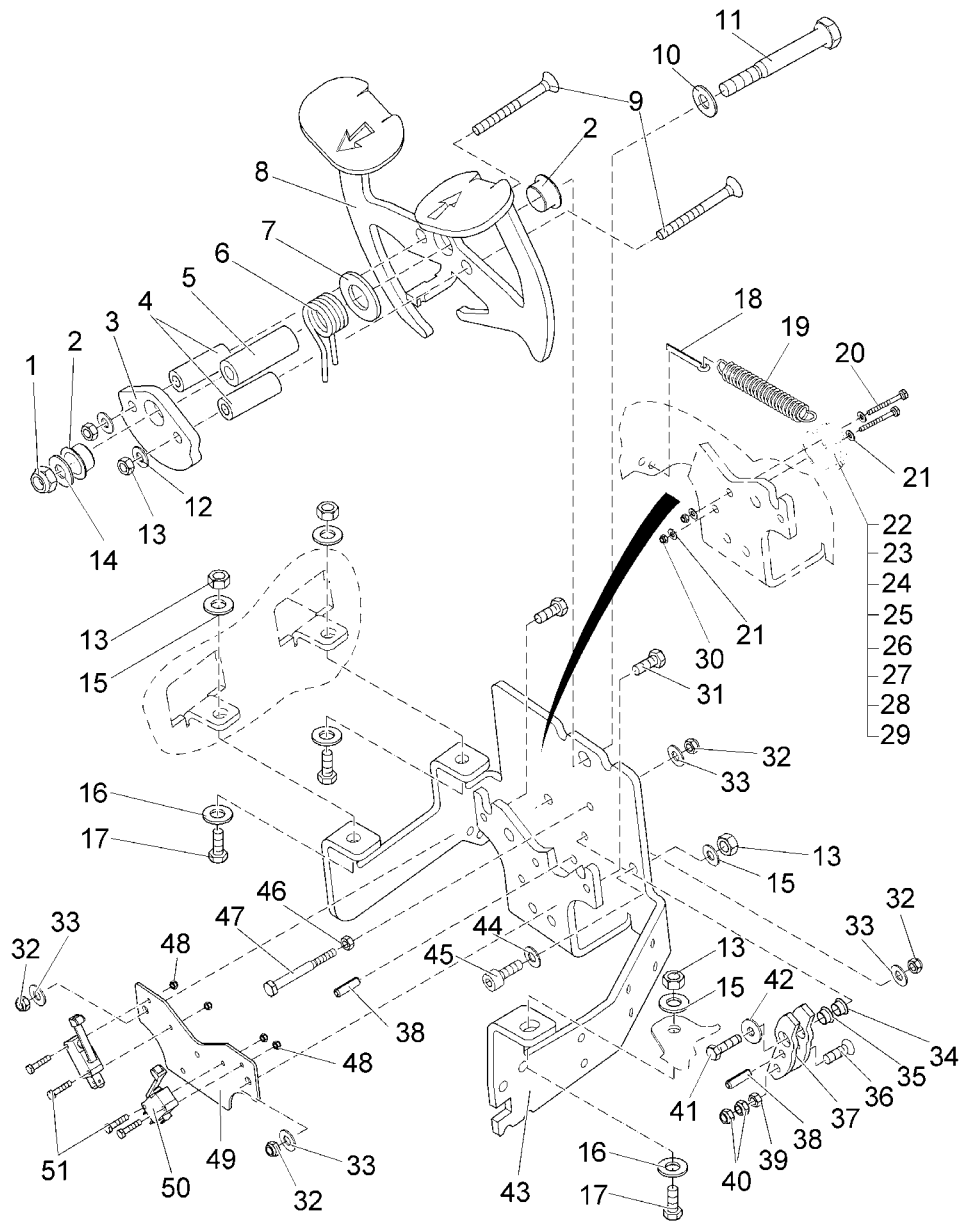
8 Spare part list



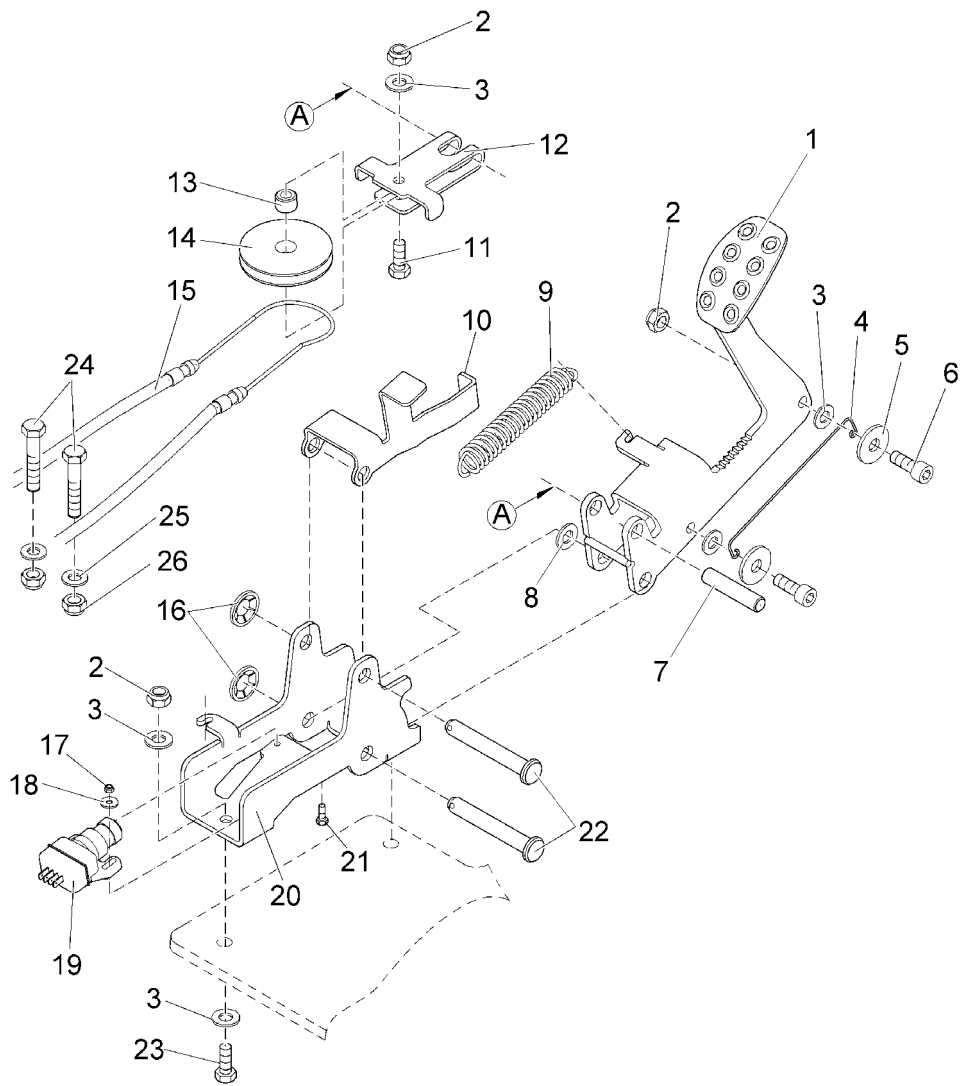
Side brush			
Item	PN	Qty.	
1	00557600	4	Hex. bolt
2	00042900	10	Washer
3	01130610	4	Bearing
4	00041810	1	Hex. bolt
5	00046520	3	Washer
6	00053750	8	Washer
7	00051510	6	Hex. nut
8	01130620	1	Holder
9	00855380	5	Washer
10	00132880	1	Hex. nut
11	00054690	1	Hex. bolt
12	00695300	2	Washer
13	00974400	3	Bushing
14	00521270	3	Sheave
15	00537390	1	Cylinder screw
16	01130630	1	Holder
17	00553690	4	Hex. bolt
18	00152850	1	Plug
19	00041600	2	Hex. bolt
20	00029170	1	Spacer sleeve
21	01130640	1	Rope
22	00054020	1	Wing nut
23	00053330	1	Hex. nut
24	01130650	1	Decal
25	00853730	1	Hand wheel
26	01130660	1	Side brush holder
27	01071480	2	Hose clamp
28	01130670	1	Bellows
29	00701250	1	Pressure spring
30	01130680	1	Holder
31	00740090	4	Detent washer
32	01130690	1	Holder
33	00740280	4	Detent washer
34	00104500	4	Hex. bolt
35	00157690	3	Hollow disc
36	00154680	3	Countersunk screw
37	01131400	1	Cover
38	00954200	1	Washer
39	01130700	1	Shaft
40	00072940	1	Adjusting spring
41	01130710	1	Belt
42	01130720	1	Bush
43	01130730	1	Belt pulley
44	01130740	1	Gear
45	00020610	1	Back-up disc
46	00022440	1	Retaining ring
47	01131530	1	Cap
48	00053350	3	Hex. nut
49	00156720	1	Washer
50	00740930	1	Guide roller
51	00855240	1	Bushing
52	00138180	1	Hex. bolt



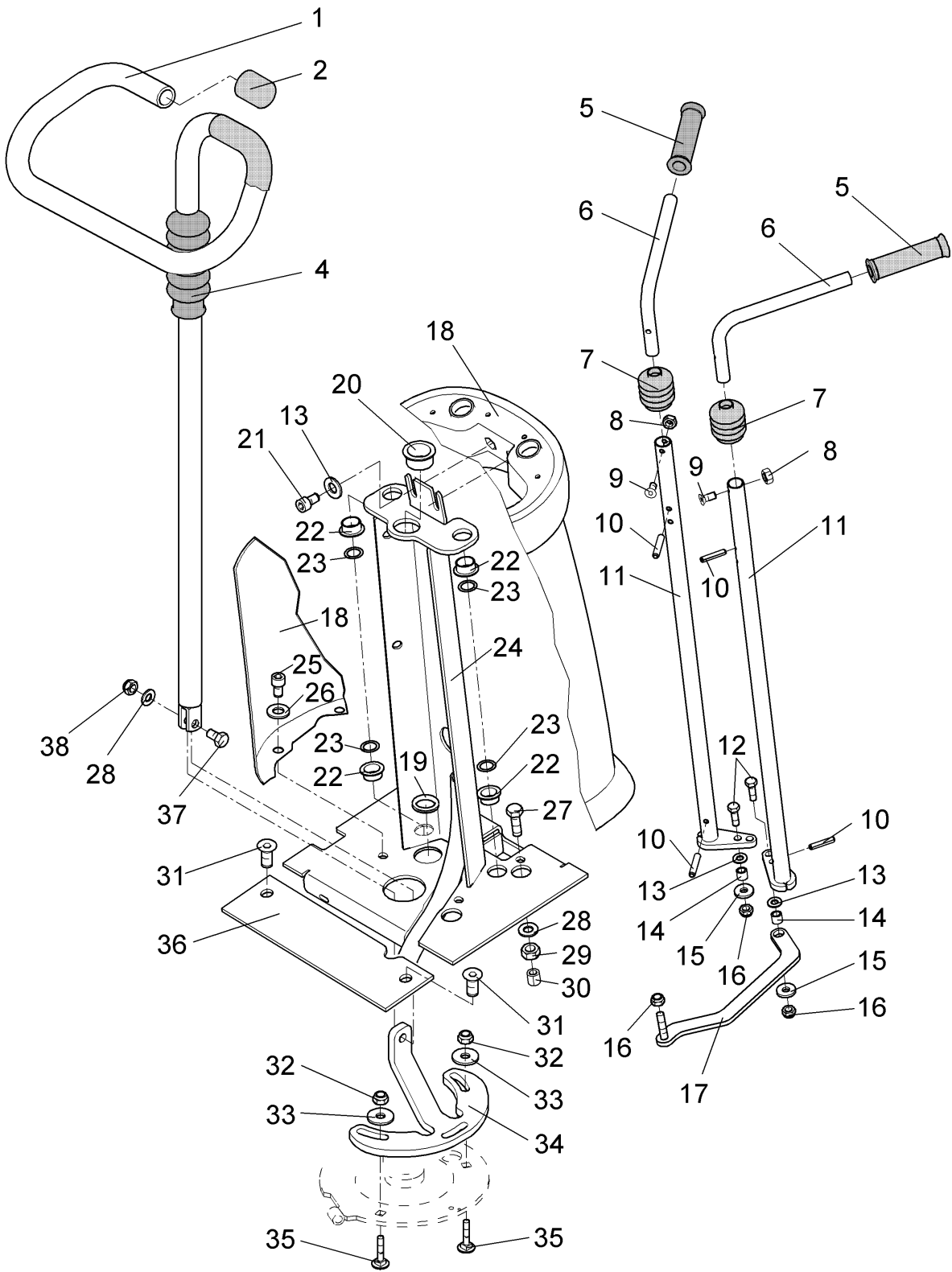
Front wheel drive			
Item	PN	Qty.	
1	00137290	2	Hex. nut
2	00053790	1	Washer
3	01130010	1	Guidance disk
4	00747530	1	Adjusting spring
5	01130020	2	Cup head square neck bolt
6	00051500	2	Hex. nut
7	00046520	2	Washer
8	00136910	1	Socket head cap screw
9	00053730	1	Washer
10	00051520	1	Hex. nut
11	01130030	1	Nilos ring
12	00048410	1	Tapered roller bearing
13	03002980	1	Front wheel bearing plate
14	00053360	3	Hex. nut
15	00870090	13	Detent washer
16	00135030	3	Socket head cap screw
17	00053310	6	Hex. bolt
18	00137930	1	Taper roller bearing
19	00746270	1	Nilos ring
20	03002990	1	Wheel carrier
21	00053650	2	Socket head cap screw
22	01130040	1	Wheel hub drive
23	01073950	4	Plug
24	01073960	4	Carbon brush
25	03003000	1	Decal
26	01131690	2	Carbon brush
27	01131680	2	Holder for carbon brush
28	01131700	1	Plug
29	00125430	2	Socket head cap screw
30	01073970	1	Wheel



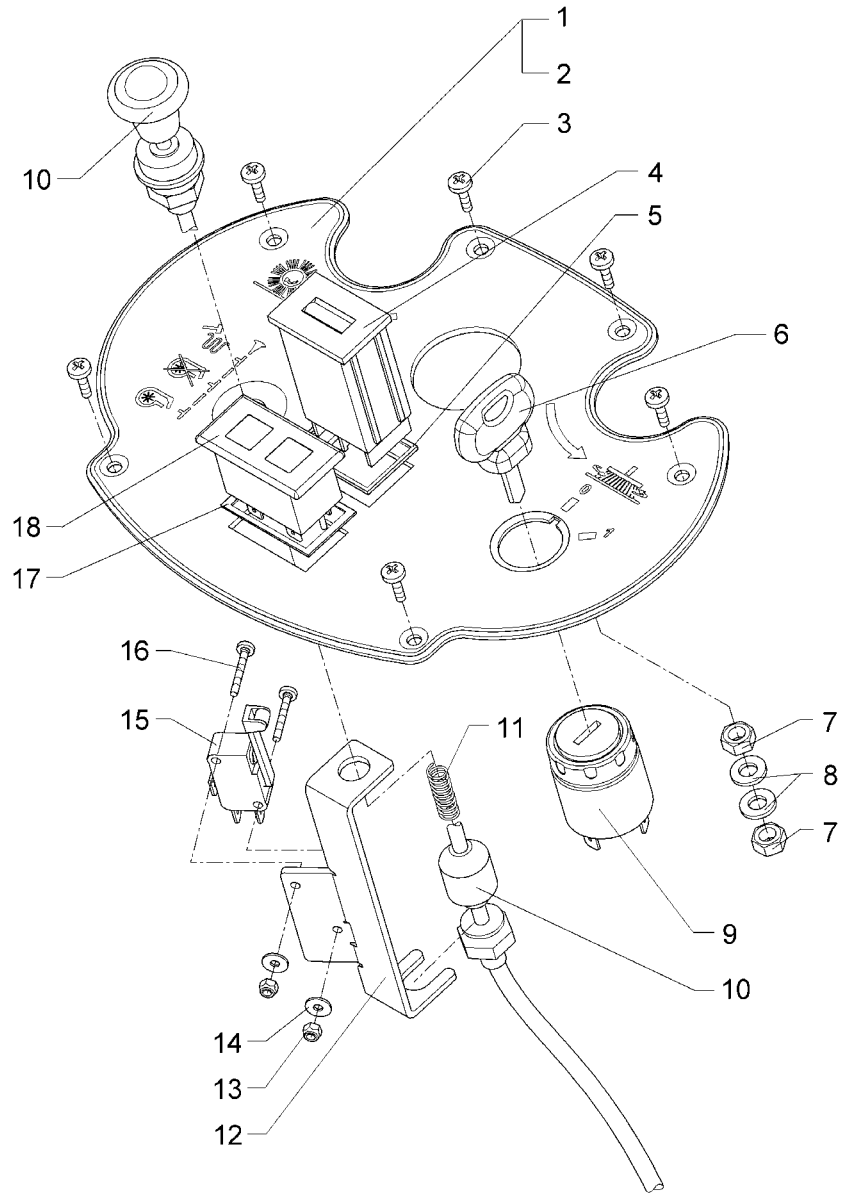
Accelerator			
Item	PN	Qty.	
1	00051490	1	Hex.nut
2	01130490	2	Bush
3	01130500	1	Plate
4	01130510	2	Bush
5	01130520	1	Bush
6	01130530	1	Spring
7	00154550	1	Washer
8	01130540	1	Accelerator
9	01130550	2	Countersunk screw
10	00875950	1	Detent washer
11	00105390	1	Hex.bolt
12	00740090	2	Detent washer
13	00053350	7	Hex.nut
14	00053770	1	Washer
15	00740310	5	Detent washer
16	00053750	3	Washer
17	00077110	3	Hex.bolt
18	00054890	1	Cotter pin
19	01130560	1	Pull spring
20	01130570	2	Hex.bolt
21	00874720	4	Washer
22	00975500	1	Turn angle transmitter
23	01073530	1	Transparency
24	01006210	6	Pin contact
25	01006190	6	Gasket
26	03003250	1	Pin housing
27	00559670	4	Flat connector sleeve
28	00083640	4	Socket housing
29	03003260	1	Line
30	00133830	2	Hex.nut
31	00053020	2	Hex.bolt
32	00051520	4	Hex.nut
33	00053730	1	Washer
34	01130580	1	Bush
35	01130590	1	Bush
36	01073650	1	Countersunk screw
37	01130600	2	Plate
38	00046440	1	Tightening sleeve
39	00053320	1	Hex.nut
40	00051340	2	Hex.nut
41	00053040	1	Hex.bolt
42	00135120	1	Washer
43	03003270	1	Angle
44	00924700	2	Washer
45	00045540	2	Socket head cap screw
46	00053330	1	Hex.nut
47	00737680	1	Hex.bolt
48	00022200	4	Hex.nut
49	03003280	1	Plate
50	00975510	2	Micro switch
51	00022180	4	Hex.bolt



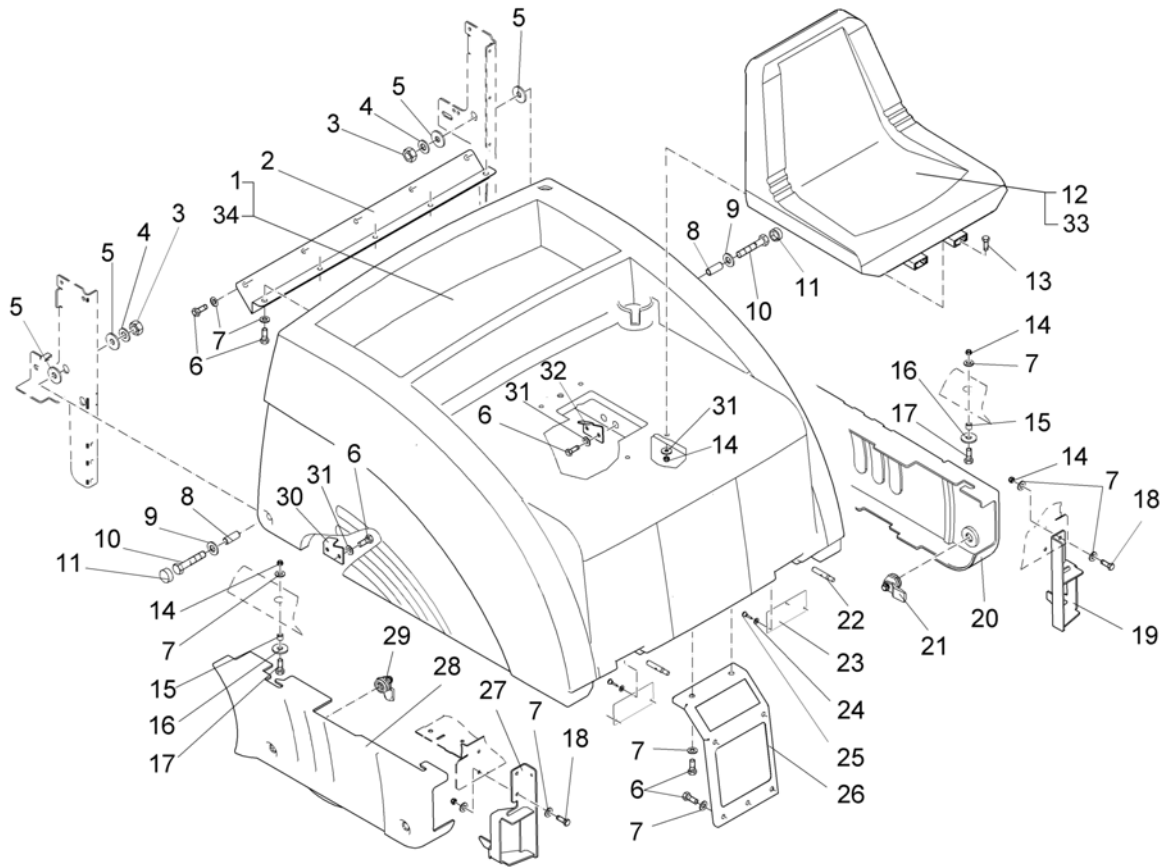
Pedal brake			
Item	PN	Qty.	
1	01130320	1	Pedale brake
2	00051510	5	Hex.nut
3	00053750	7	Washer
4	00854270	1	Bow
5	00042900	2	Washer
6	00124290	1	Socket head cap screw
7	01130330	1	Bolt
8	00555130	1	Packing ring
9	01055930	1	Pull spring
10	01130340	1	Barrier lever
11	00053110	1	Hex.bolt
12	03003170	1	Bow
13	00974400	1	Bushing
14	00521270	1	Pulley
15	01130350	1	Brake bowden cable
16	00706180	2	Retaining washer
17	00133830	2	Hex.nut
18	00557150	2	Washer
19	00927610	1	Switch
20	03003180	1	Bracket
21	00108490	2	Hex.bolt
22	00879630	2	Bolt
23	00053100	2	Hex.bolt
24	00074500	2	Hex.bolt
25	00740090	2	Detent washer
26	00053350	2	Hex.nut



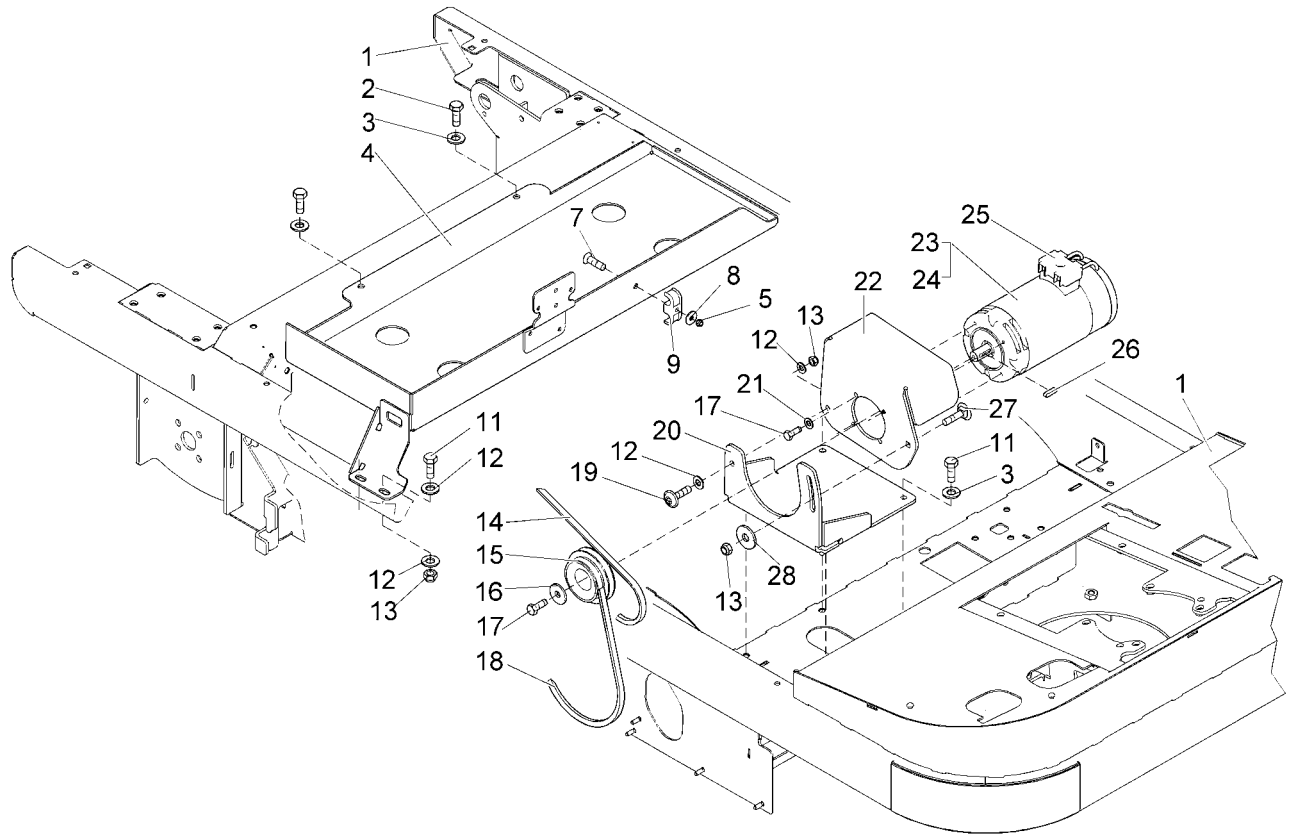
Steering			
Item	PN	Qty.	
1	01130360	1	Steering bar
2	01130370	1	Protective cap
4	01130390	1	Bellows
5	01130400	2	Handle
6	01130410	2	Arc
7	01130420	2	Bellows
8	00051520	3	Hex. nut
9	01093180	2	Countersunk screw
10	00044160	4	Tightening pin
11	01130430	2	Lever
12	00054690	2	Hex. bolt
13	00053750	4	Washer
14	00733400	2	Spacer bushing
15	00695300	2	Washer
16	00051510	3	Hex. nut
17	01130440	1	Supporting plate
18	01130450	1	Steering column
19	00521100	1	Grommet
20	01130460	1	Slide bearing bush
21	00154410	2	Cylinder head stud
22	01130470	4	Slide bearing bush
23	00046430	4	Adjusting shim
24	03003230	1	Carrier
25	00045540	4	Socket head cap screw
26	00740090	4	Detent washer
27	00053160	2	Hex. bolt
28	00053760	2	Washer
29	00132880	2	Hex. nut
30	01090960	2	Stop buffer
31	00535840	2	Countersunk screw
32	00051500	2	Hex. nut
33	00046520	2	Washer
34	01130480	1	Hold plate
35	01130020	2	Saucer head screw
36	03003240	1	Plate
37	00123690	1	Hex. bolt
38	00132880	1	Hex. nut



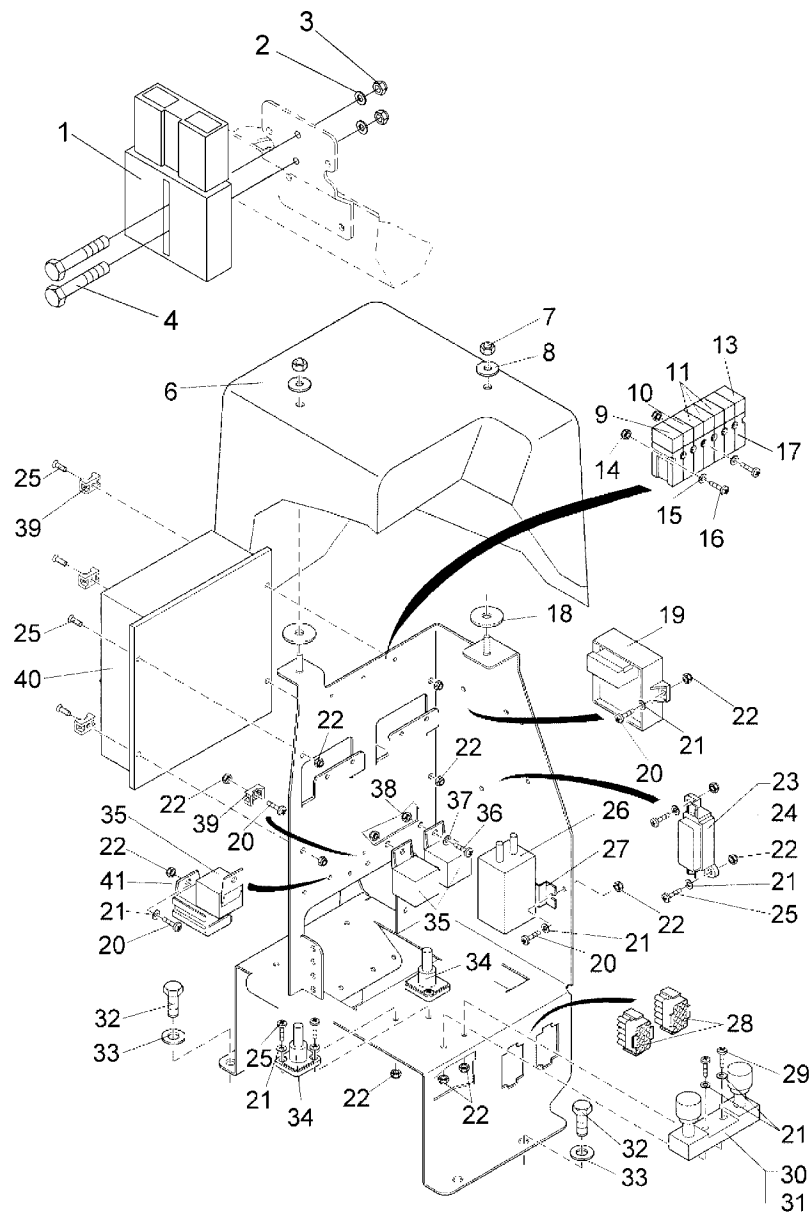
Control panel			
Item	PN	Qty.	
1	00131610	1	Control panel, tin plate
2	01131620	1	Control panel, foil
3	00052620	5	Filister head screw
4	01131640	1	Hour meter
5	01092720	1	Gasket
6	00745890	1	Key
7	00053330	2	Hex. nut
8	00053730	2	Washer
9	00021710	1	Key switch
10	01131520	1	Actuating cable
11	00902200	1	Compression spring
12	03003450	1	Holder
13	00022200	2	Hex. nut
14	00747400	2	Washer
15	00975510	1	Micro switch
16	00955220	2	Screw
17	01131640	1	Gasket
18	01131650	1	Control light



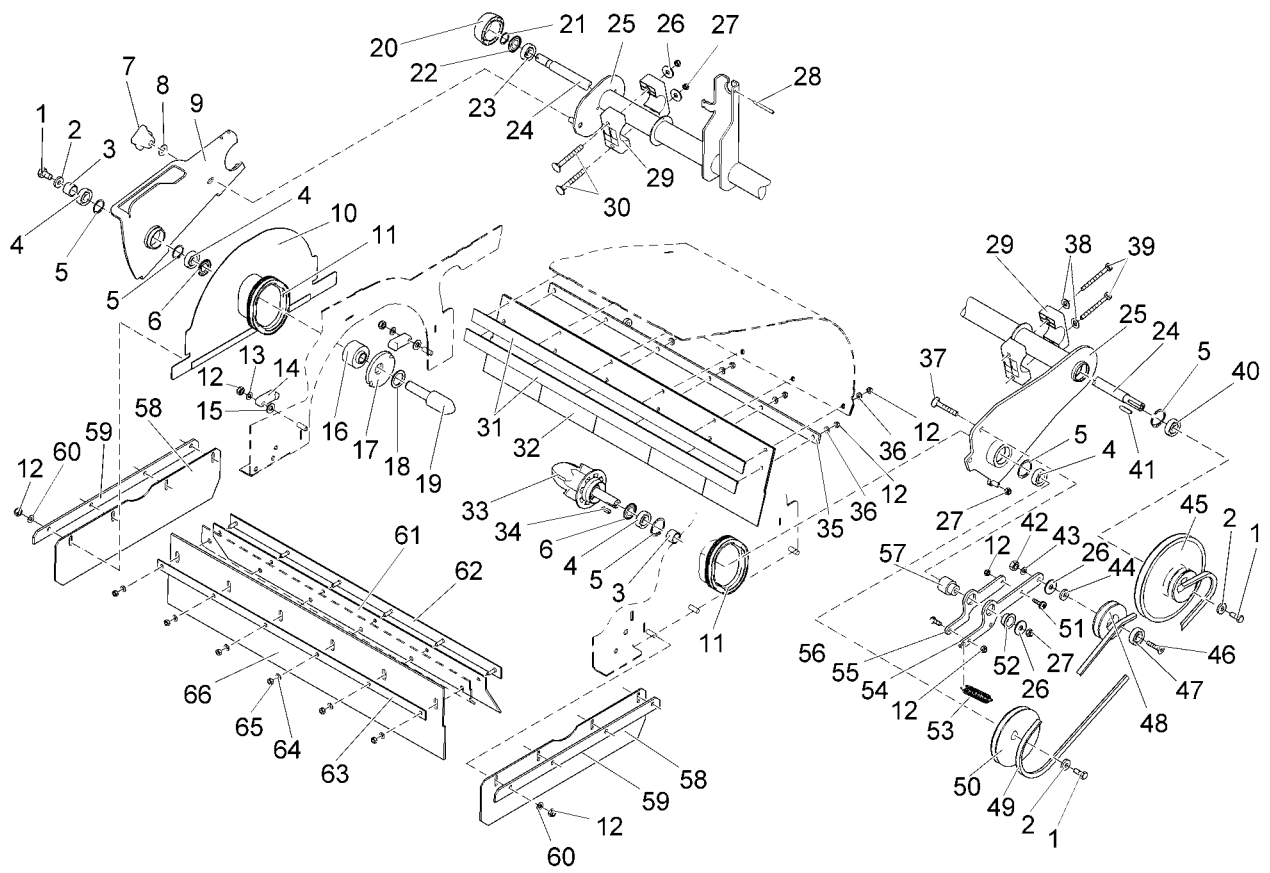
Covering - Seat			
Item	PN	Qty.	
1	01075610	1	Covering
2	03003290	1	Carrier seat
3	00053370	2	Hex. nut
4	00875950	2	Detent washer
5	00132610	4	Washer
6	00536320	17	Hex. bolt
7	00053750	24	Washer
8	01130230	2	Bush
9	00127290	2	Washer
10	00693010	2	Hex. bolt
11	01031540	2	Protective cap
12	01130240	1	Seat
13	00133700	4	Hex. bolt
14	00051510	12	Hex. nut
15	00733400	4	Spacer bushing
16	00042900	4	Washer
17	00053110	4	Hex. bolt
18	00053090	4	Hex. bolt
19	03003140	1	Holder, l.h.
20	01130250	1	Covering, l.h.
21	00121730	2	Casement fastener
22	00853700	2	Bolt
23	03003110	2	Plate
24	00053710	6	Washer
25	00961490	13	Screw
26	03003300	1	Holder seat
27	03003150	1	Holder, r.h.
28	01130260	1	Covering, r.h.
29	01130270	2	Casement fastener
30	01130280	1	Holder, r.h.
31	00740310	8	Detent washer
32	01130290	1	Holder, l.h.
33	01134330	1	Seat contact switch
34	01134810	1	Insulation mat



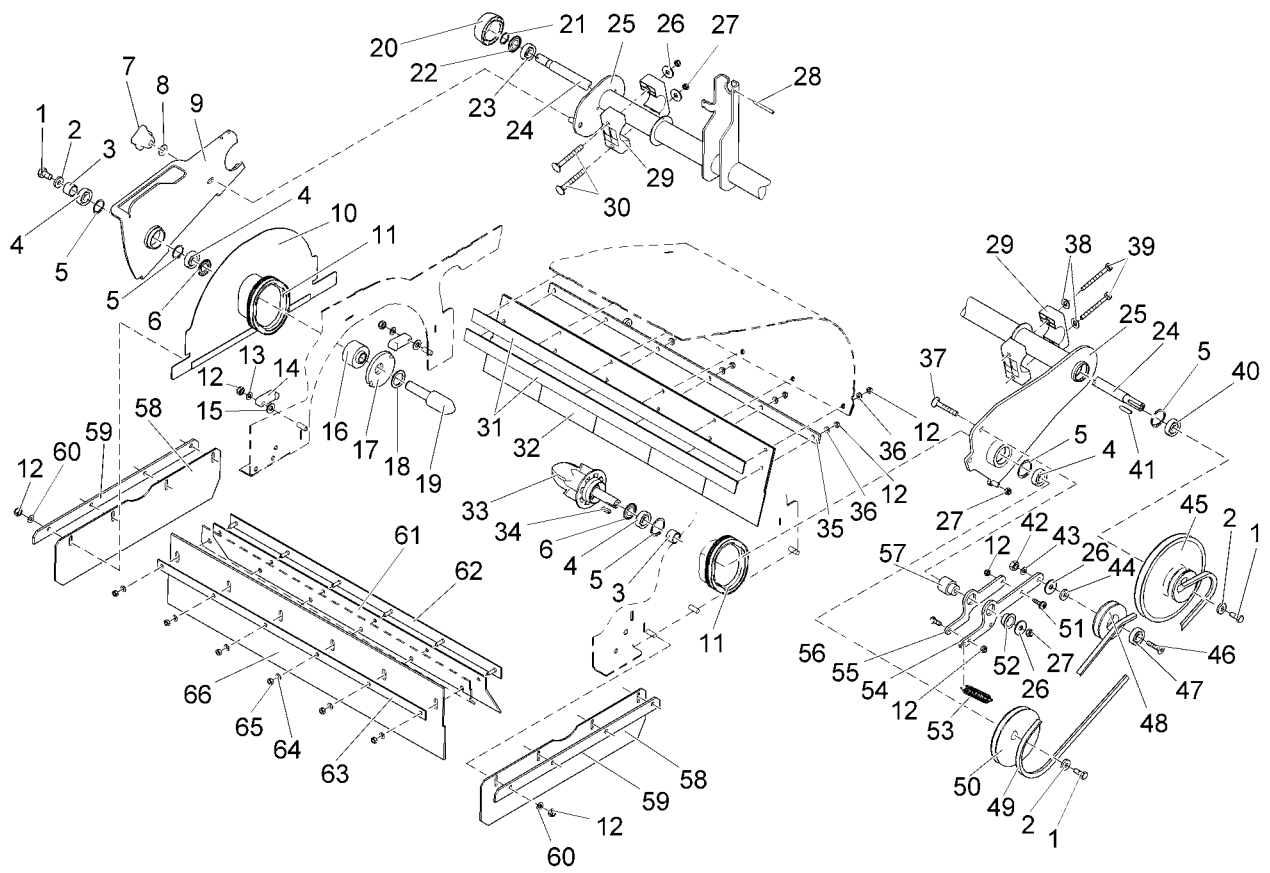
Motor - Chassis			
Item	PN	Qty.	
1	03003360	1	Chassis
2	00053080	2	Hex.bolt
3	00740090	6	Detent washer
4	03003370	1	Battery console
5	00051520	3	Hex.nut
6	00053730	2	Washer
7	00126010	1	Countersunk screw
8	00135120	1	Washer
9	00748300	1	Cable clamb
10	00053050	2	Hex.bolt
11	00053090	6	Hex.bolt
12	00053750	6	Washer
13	00051510	4	Hex.nut
14	01131280	1	Drive belt
15	01131290	1	Drive belt pulley
16	00874340	1	Washer
17	00053010	5	Hex.bolt
18	01131300	1	Drive belt
19	01092910	1	Filister head screw
20	03003380	1	Console
21	00730940	4	Detent washer
22	03003390	1	Holder
23	01131310	1	Motor
24	01131670	1	Carbon brush
25	01131660	1	Thermal relay
26	00054260	1	Adjusting spring
27	00864520	1	Cup square bolt
28	00042900	1	Washer



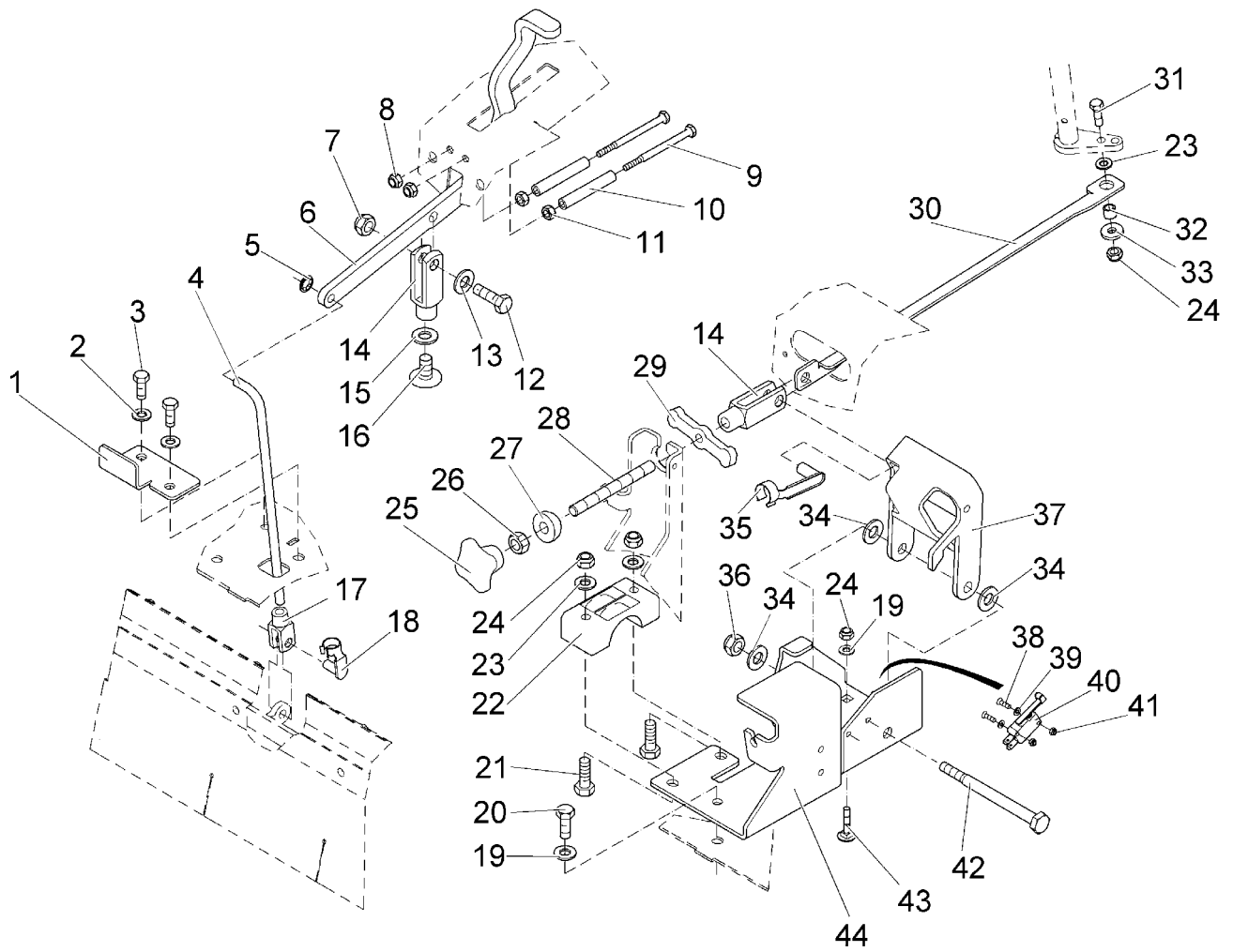
Electrical equipment			
Item	PN	Qty.	
1	01075720	1	Device plug
2	00053730	2	Washer
3	00051520	2	Hex.nut
4	00053050	1	Hex.bolt
6	01131430	1	Dust cover
7	00053330	2	Hex.nut
8	00135120	2	Washer
9	00500360	1	Fuse link
10	00733630	1	Fuse link
11	00906120	3	Fuse link
13	00152060	1	Fuse link
14	00022200	2	Hex.nut
15	00553740	2	Washer
16	00101580	2	Fillister head screw
17	00733650	7	Fuse holder
18	00106050	2	Rubber washer
19	00957270	1	Signal transmitter for low-level discharge
20	00052620	6	Fillister head screw
21	00053710	6	Washer
22	00133830	6	Hex.nut
23	00903510	1	Fuse holder
24	00903550	1	Fuse motor
25	00731550	2	Fillister head screw
26	01131420	1	Solenoid
27	03003420	1	Mounting kit for solenoid
28	01019610	2	Pin housing 15-pole
29	00954570	2	Screw
30	00121440	1	Fuse holder
31	01056100	1	Fuse
32	00053080	4	Hex.bolt
33	00053750	4	Washer
34	00744670	2	Single clamp
35	00965030	3	Relay
36	00108650	2	Fillister head screw
37	00053720	2	Washer
38	00051340	2	Hex.nut
39	00780710	4	Screw base
40	01130760	1	Control system 120A
41	01018100	1	Plug-in housing



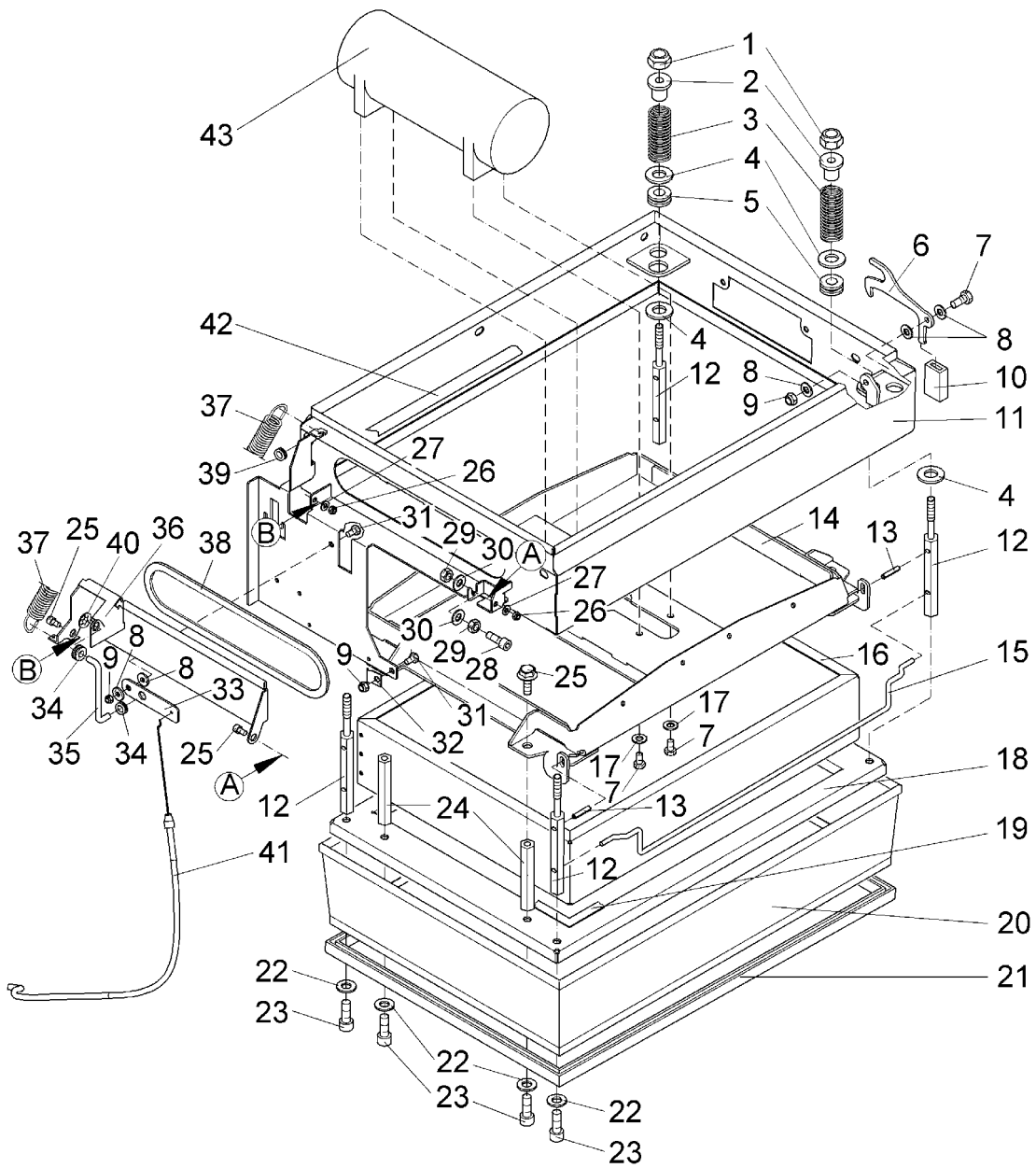
Group of main sweeper roller			
Item	PN	Qty.	
1	00053080	3	Hex.bolt
2	00695300	3	Washer
3	00509180	2	Distance sleeve
4	00106300	4	Ball bearing
5	00101660	5	Retaining ring
6	00102410	2	Nilos-ring
7	00866720	1	Star handle
8	00740290	1	Detent washer
9	01130830	1	Brush rocker, l.h.
10	01130840	1	Side shield
11	00681570	2	Edge protection
12	00051520	24	Hex.nut
13	00053840	2	Spring washer
14	00968190	2	Toggle
15	00053750	2	Washer
16	01130850	1	Gasket
17	01130860	1	Washer
18	00135560	1	Washer
19	01130870	1	Drag element
20	01130880	1	Centering bush
21	00022340	1	Retaining ring
22	00104480	1	Nilos-ring
23	00706360	1	Ball bearing
24	01130890	1	Shaft
25	03003310	1	Torque shaft
26	00042900	4	Washer
27	00051510	7	Hex.nut
28	00861020	1	Tensioning sleeve
29	01130610	4	Bearing
30	01130900	2	Cup head square neck bolt
31	01130910	2	Retaining strip
32	01130800	1	Brush apron, front
33	01130920	1	Drag element
34	00054260	1	Adjusting spring
35	01130930	1	Strip
36	00053730	12	Washer
37	01130940	1	Cup head square neck bolt
38	00740080	2	Safety washer
39	00557600	2	Hex.bolt
40	00538360	1	Ball bearing
41	00107380	1	Adjusting spring
42	00046500	1	Hex.nut
43	00740310	1	Detent washer
44	01130950	1	Bush
45	01130960	1	Belt pulley
46	00509000	1	Countersunk screw
47	00126330	1	Ball bearing
48	01130970	1	Idler
49	01130980	1	V-belt
50	01130990	1	Belt pulley



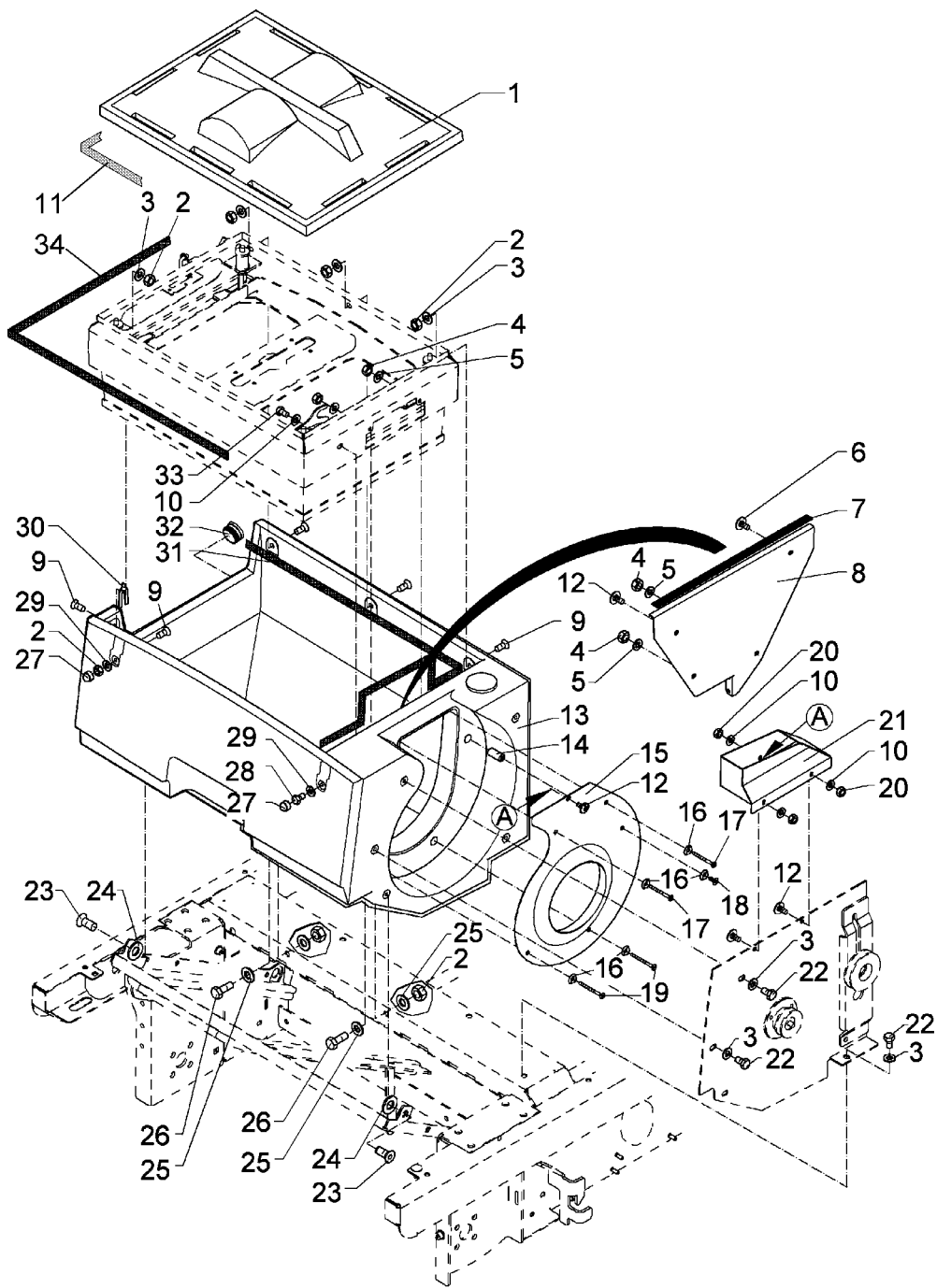
51	00053550	1	Screw
52	01130470	1	Bearing bush
53	01131000	1	Pult spring
54	01131010	1	Holder
55	01131020	1	Holder for idler
56	00053020	1	Hex.bolt
57	01131030	1	Bolt
58	01130820	2	Brush apron
59	01131050	2	Strip
60	00053730	8	Washer
61	01131040	1	Brush apron, rear
62	01130910	1	Strip
63	00243450	1	Clamping strip
64	00740280	6	Detent washer
65	00053330	8	Hex.nut
66	01130810	1	Brush apron, rear



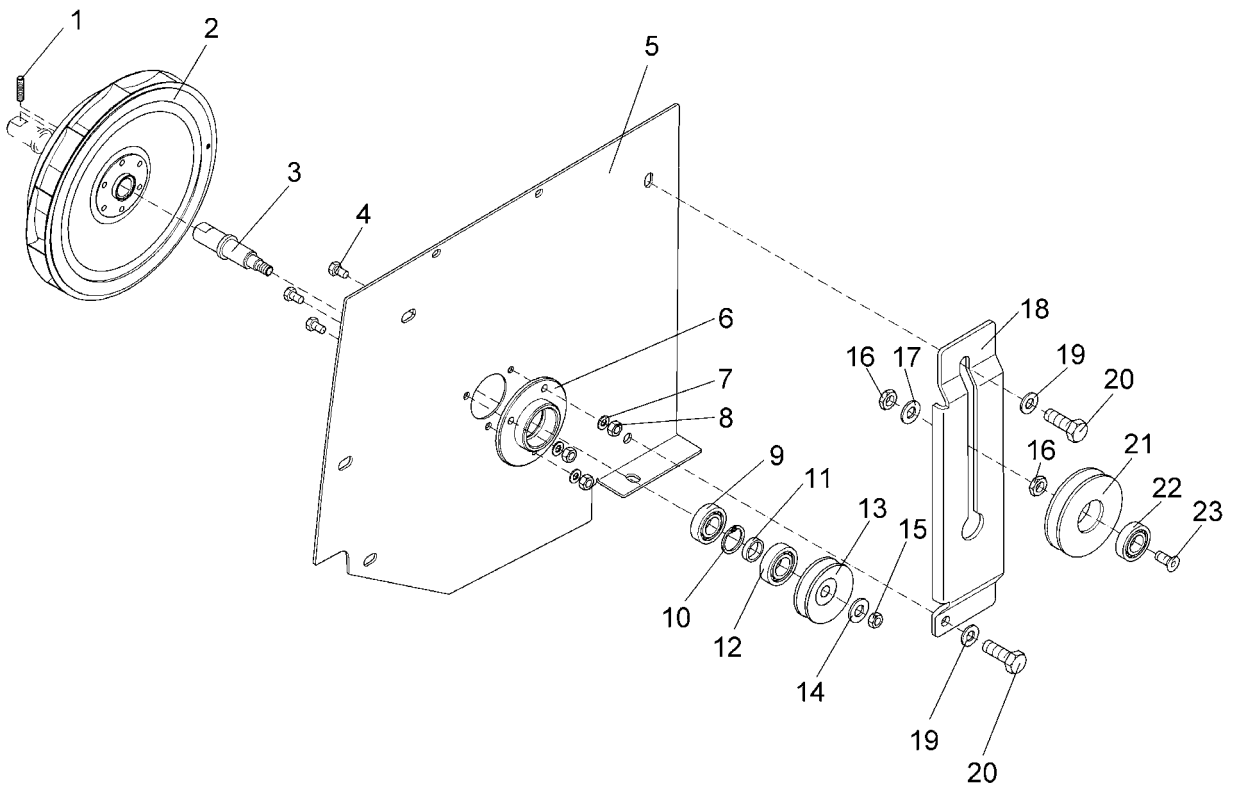
Manipulation for brush apron - Lifter for sweeping roller			
Item	PN	Qty.	
1	01131320	1	Stop angle
2	00740090	2	Detent washer
3	00053080	2	Hex. bolt
4	01131330	1	Bar
5	00854420	1	Retaining washer
6	01131340	1	Pedal bar
7	00051500	1	Hex. nut
8	00051520	2	Hex. nut
9	00526320	2	Hex.bolt
10	01064890	2	Hose
11	00053330	2	Hex. nut
12	00123690	1	Hex. bolt
13	00130290	1	Adjusting shim
14	00925430	2	Fork head
15	00740290	1	Detent washer
16	01131350	1	Filister head screw
17	00151440	1	Forked end
18	00151400	1	ES bolt
19	00740080	3	Safety washer
20	00053090	1	Hex. bolt
21	00041600	2	Hex. bolt
22	01130610	1	Bearing
23	00053750	3	Washer
24	00051510	5	Hex. nut
25	00866720	1	Star handle
26	01050160	1	Hex. nut
27	01131360	1	Tap
28	01131370	1	Spindle
29	01131380	1	Countering latch
30	01131390	1	Draw angle
31	00054690	1	Hex. bolt
32	00733400	1	Spacer bushing
33	00695300	1	Washer
34	00053760	3	Washer
35	00925420	1	ES-bolt
36	00132880	1	Hex. nut
37	03003400	1	Angle
38	00955220	2	Screw
39	00747400	2	Washer
40	00975510	1	Micro switch
41	00022200	2	Hex. nut
42	00109460	1	Hex. bolt
43	00878410	2	Cup head square neck bolt
44	03003410	1	Holder



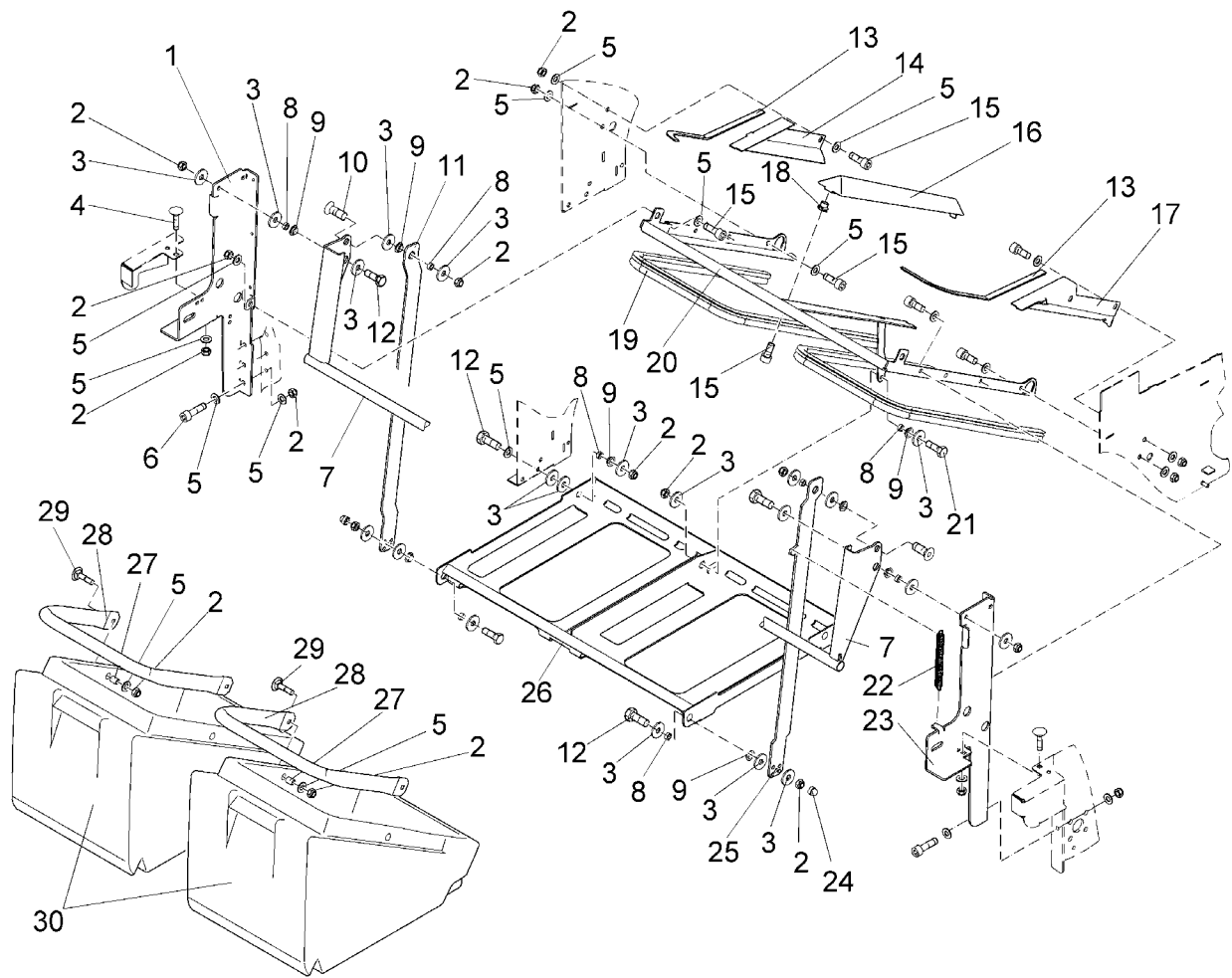
Filter installation			
Item	PN	Qty.	
1	00051510	4	Hex. nut
2	01131100	4	Bolt
3	01074080	4	Compression spring
4	00042900	8	Washer
5	00027190	4	Grommet
6	01131110	1	Lever
7	00053020	5	Hex. bolt
8	00135120	5	Washer
9	00051520	3	Hex. nut
10	00451220	1	Hose
11	01131410	1	Frame
12	01131120	4	Spacer
13	00045620	2	Tensioning sleeve
14	01131130	1	Frame
15	01131140	1	Bow
16	01130750	1	Plate filter
17	00730940	4	Detent washer
18	01131150	1	U-panel
19	00420290	1	Gasket
20	01131160	1	Annular filter
21	00161240	1	Edge protector
22	00740310	8	Detent washer
23	00045540	8	Socket head cap screw
24	01131170	4	Spacer
25	01131440	2	Socket head cap screw
26	01017660	2	Hex. nut
27	00958770	1	Washer
28	00071450	1	Hex. socket head cap screw
29	00053350	2	Hex. nut
30	00053750	1	Washer
31	00053010	2	Hex. bolt
32	00534470	1	Clamp
33	01131180	1	Holder
34	01131190	2	Grommet
35	01131200	1	Rod
36	01131210	1	Air vent
37	01130560	1	Pull spring
38	01075290	1	Gasket
39	00740360	1	Grommet
40	00023290	1	Retaining washer
41	01131520	1	Actuating cable
42	00830680	1	Hose
43	01000890	1	Shaker motor



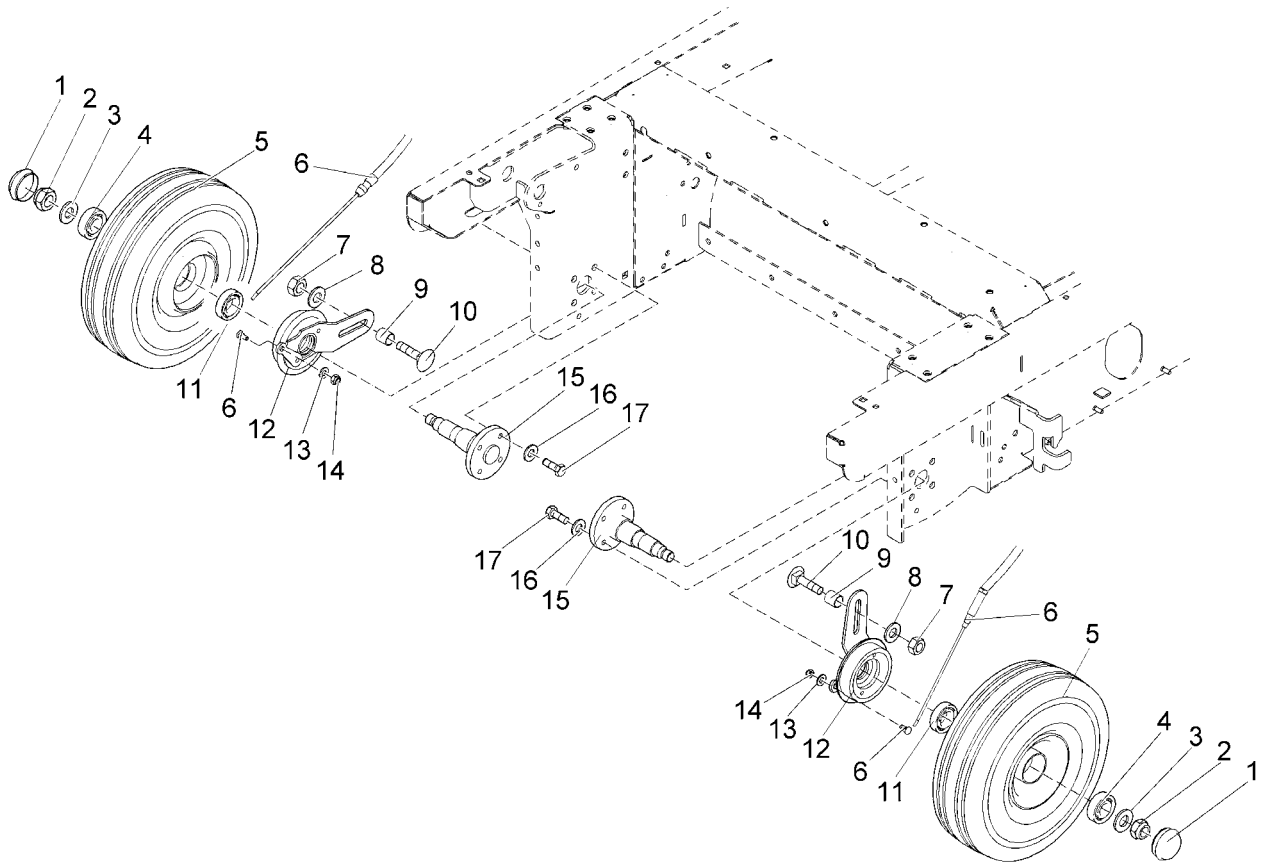
Dust extraction			
Item	PN	Qty.	
1	01131510	1	Filter cover
2	00053350	7	Hex. nut
3	00740090	7	Detent washer
4	00053330	4	Hex. nut
5	00740280	4	Detent washer
6	01092780	1	Filister head flange screw
7	00420290	1	Gasket
8	03003430	1	Covering
9	00903480	5	Countersunk screw
10	00730940	4	Detent washer
11	01131840	1	Gasket filter cover
12	01131450	4	Filister head flange screw
13	03003440	1	Housing
14	01131460	1	Threaded bushing
15	01131470	1	Nozzle
16	00157690	5	Hollow disc
17	00127360	2	Countersunk screw
18	00871440	1	Countersunk screw
19	00120130	1	Countersunk screw
20	00135790	3	Hex. nut
21	01131480	1	Air scoop
22	00864230	3	Hex. bolt
23	00059080	2	Countersunk screw
24	00070170	2	Washer
25	00042900	2	Washer
26	00133700	2	Hex. bolt
27	00131610	2	Protective cap
28	00151810	1	Hex.bolt
29	00053750	2	Washer
30	01131490	1	Sheet metall
31	00420290	1	Gasket
32	01131500	1	Plug
33	00104500	1	Hex. bolt
34	01130200	1	Gasket



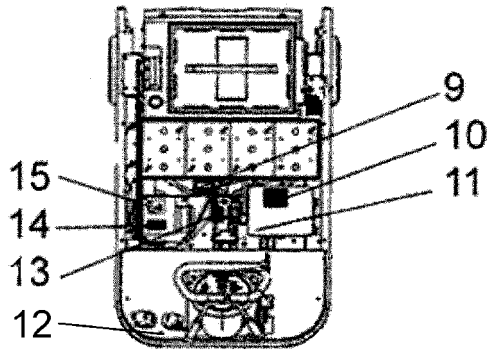
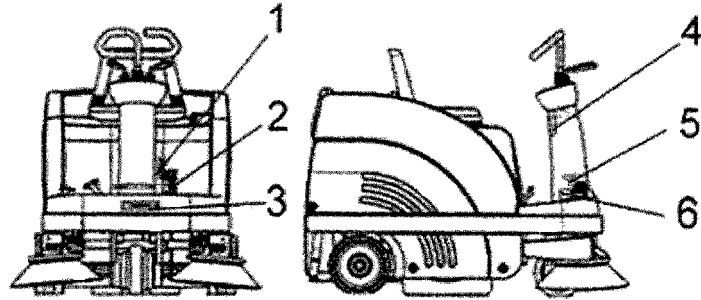
Fan bearing			
Item	PN	Qty.	
1	00506780	1	Threaded pin
2	01131220	1	Rotating fan
3	01131230	1	Shaft
4	00053010	3	Hex. bolt
5	03003350	1	Bearing plate
6	01131240	1	Bearing bush
7	00740280	3	Detent washer
8	00053330	3	Hex. nut
9	00706360	1	Cylindrical bearing
10	00126320	1	Retaining ring
11	01131250	1	Distance tube
12	00538360	1	Cylindrical bearing
13	01131260	1	Belt pulley
14	00740090	1	Detent washer
15	00022330	1	Hex. nut
16	00074710	2	Hex. nut
17	00740290	1	Detent washer
18	01131270	1	Holder
19	00740090	2	Detent washer
20	00553690	2	Hex. bolt
21	01130970	1	Idler
22	00126330	1	Cylindrical bearing
23	00021800	1	Countersunk screw



Dirt hopper - Dirt hopper lifter			
Item	PN	Qty.	
1	01130050	1	Holder, l.h.
2	00051510	10	Hex. nut
3	00042900	12	Washer
4	00878410	2	Cup square bolt
5	00053750	6	Washer
6	00103300	6	Socket head cap screw
7	01130060	1	Handle
8	01130070	9	Bush
9	01130080	9	Slide bearing bush
10	00101500	2	Countersunk screw
11	01130090	1	Holder, l.h.
12	00053100	2	Hex. bolt
13	01130200	1	Gasket
14	01130300	1	Angle, l.h.
15	00045540	4	Socket head cap screw
16	01130100	1	Plate
17	01130310	1	Angle, r.h.
18	01130110	1	Nut
19	00750430	2	Edge protector profil
20	01130120	1	Sealing plate
21	00077110	1	Hex. bolt
22	01130130	1	Pull spring
23	01130140	1	Holder, r.h.
24	00874930	2	Protective cap
25	01130150	1	Holder, r.h.
26	01130160	1	Plate
27	01130170	4	Bush
28	01130180	2	Handle
29	00078920	4	Saucer head screw
30	01130190	2	Dirt hopper



Rear wheel - Brake			
Item	PN	Qty.	
1	01131060	2	Cap
2	00135350	2	Hex. nut
3	01131070	2	Washer
4	00706370	2	Ball bearing
5	01130770	2	Rear wheel
6	01130350	2	Bowden cable for brake
7	00074710	2	Hex. nut
8	00053760	2	Washer
9	01130780	2	Bush
10	01130790	2	Cup head square neck bolt
11	00281050	2	Ball bearing
12	01131080	2	Brake
13	00053730	2	Washer
14	00051520	2	Hex. nut
15	01131090	2	Axle
16	00740290	8	Detent washer
17	00021130	8	Hex. bolt



Lable			
Item	PN	Qty.	
1	00113140	1	Lable brush apron
2	01131550	1	Lable brake
3		1	Lable, Minuteman
4	01071010	1	Lable instruction manual
5	01131560	1	Lable brake
6	01073530	1	Lable noise performance
9	00871160	1	Lable 24V
10	01055410	1	Lable battery setting
11	01131570	1	Lable high-pressure cleaner
12	01073530	1	Lable
13	01073530	1	Lable cylinder broom wearing take-up
14	01131590	1	Lable rotating parts
15	01131600	1	Lable battery charging

EC Declaration of Conformity

Minuteman[®]

declares under our sole responsibility
that the product

Kleen Sweep 40R/47R
Type: HM40B/HM47B/HM40BQP
HM47BQP/HM40QP/
HM50QP

to which this declaration relates, corre-
sponds to the relevant basic safety and
health requirements of the Directives
98/37/EEC, and to the requirements of
the relevant Directive

- 89/336/EEC.

For the relevant implementation of the
safety and health requirements mentio-
ned in the Directives, the following stan-
dard(s) and/or technical specification(s)
has (have) been respected:

EN 60335-2-72
EN 61000-6-3
EN 61000-6-2

Addison (Illinois), 30th Sept. 2004


Gregory J. Rau
President

LIMITED WARRANTY

Minuteman International, Inc. warrants to the original purchaser/user that this product is free from defects in workmanship and materials under normal use and service for a period of one year from date of purchase. In addition, Minuteman International, Inc. will, at its option, honor labor warranty claims for the first 6 months from date of sale, provided such claims are submitted through and approved by factory authorized repair stations. Minuteman International, Inc. will, at its option, repair or replace without charge, except for transportation costs, parts that fail under normal use and service when operated and maintained in accordance with the applicable operation and instruction manuals.

This warranty does not apply to normal wear, or to items whose life is dependent on their use and care, such as belts, cords, switches, hoses, rubber parts, electrical motor components or adjustments. Parts not manufactured by Minuteman International, Inc. such as engines, batteries, battery chargers, hydraulic pumps, and tires are covered by and subject to the warranties and/or guarantees of their manufacturers. Please contact Minuteman International, Inc. for procedures in warranty claims against these manufacturers.

Special warning to purchaser -- Use of replacement filters and/or prefilters not manufactured by Minuteman International, Inc. or its designated licensees, will void all warranties expressed or implied.

A potential health hazard exists without exact original equipment replacement.

All warranted items become the sole property of Minuteman International, Inc. or its original manufacturer, whichever the case may be.

Minuteman International, Inc. disclaims any implied warranty, including the warranty of merchantability and the warranty of fitness for a particular purpose. Minuteman International, Inc. assumes no responsibility for any special, incidental or consequential damages.

This limited warranty is applicable only in the U.S.A. and Canada, and is extended only to the original user/purchaser of this product. Customers outside the U.S.A. and Canada should contact their local distributor for export warranty policies. Minuteman International, Inc. is not responsible for costs or repairs performed by persons other than those specifically authorized by Minuteman International, Inc. This warranty does not apply to damage from transportation, alterations by unauthorized persons, misuse or abuse of the equipment, use of non-compatible chemicals, or damage to property, or loss of income due to malfunctions of the product.

If a difficulty develops with this machine, you should contact the dealer from whom it was purchased.

This warranty gives you specific legal rights, and you may have other rights which vary from state to state. Some states do not allow the exclusion or limitation of special, incidental or consequential damages, or limitations on how long an implied warranty lasts, so the above exclusions and limitations may not apply to you.

Minuteman[®]

World Headquarters
Minuteman International, Inc.
111 South Rohlwing Road
Addison, Illinois 60101

Minuteman Canada, Inc.
2210 Drew Road
Mississauga, Ontario
L5S 1B1

(630) 627-6900
FAX (630) 627-1130

(905) 673-3222
FAX (905) 673-5161

Form 988060
Printed in U.S.A.

02/05

rev. A