



Electronic Service Manuals

This electronic document is provided as a service to our customers. We do not create the contents of the information contained in this document. Should you have detailed questions pertaining to the information contained in this document, you may contact Michco, or the manufacturer which provided the original information in this electronic deliverable. Michco's only part in this electronic deliverable was the electronic assembly process. By providing this manual on line we are not guaranteeing parts availability.

You may contact Michco through the following methods:

Phone (517) 484-9312 or (800) 331-3339

2011 N. High St. -- Lansing, Michigan -- 48906

Fax: (517) 484-9836

Email: CustServe@Michco.com

Web site: www.Michco.Com

Parts Web site: www.FloorMachineParts.Com

Order Parts on Line at:

www.FloorMachineParts.Com

Directly to Parts & Service:

By Email: **Shop@Michco.com**

By Fax: (517) 702-2041

By Voice: Use numbers above.

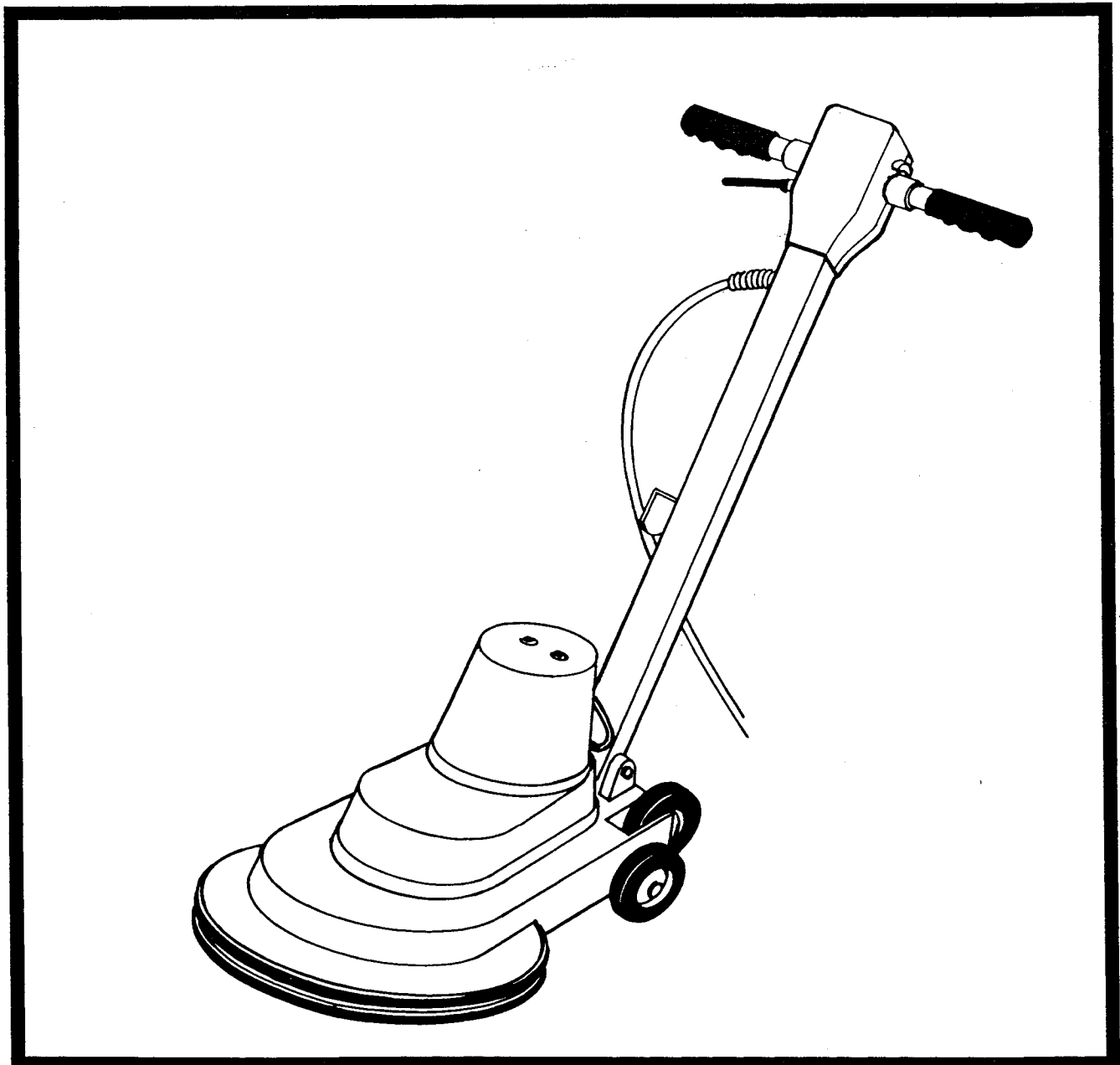
Serving the Cleaning Industry Since 1922

Notice: All copyrighted material remains property of original owners, all trademarks are property of respective owners. Manuals are subject to Manufacturer's reproduction limitations. Originals or reproductions were provided by manufacturers through a request. We make no warranty as to the correctness of information provided in this document and you assume all risk. By placing these manuals on line we are not declaring our corporation to be an manufacturer authorized dealer or provider, please check our web site for authorized manufacturers we represent.

1500 RPM
Minuteman
Electric Burnisher

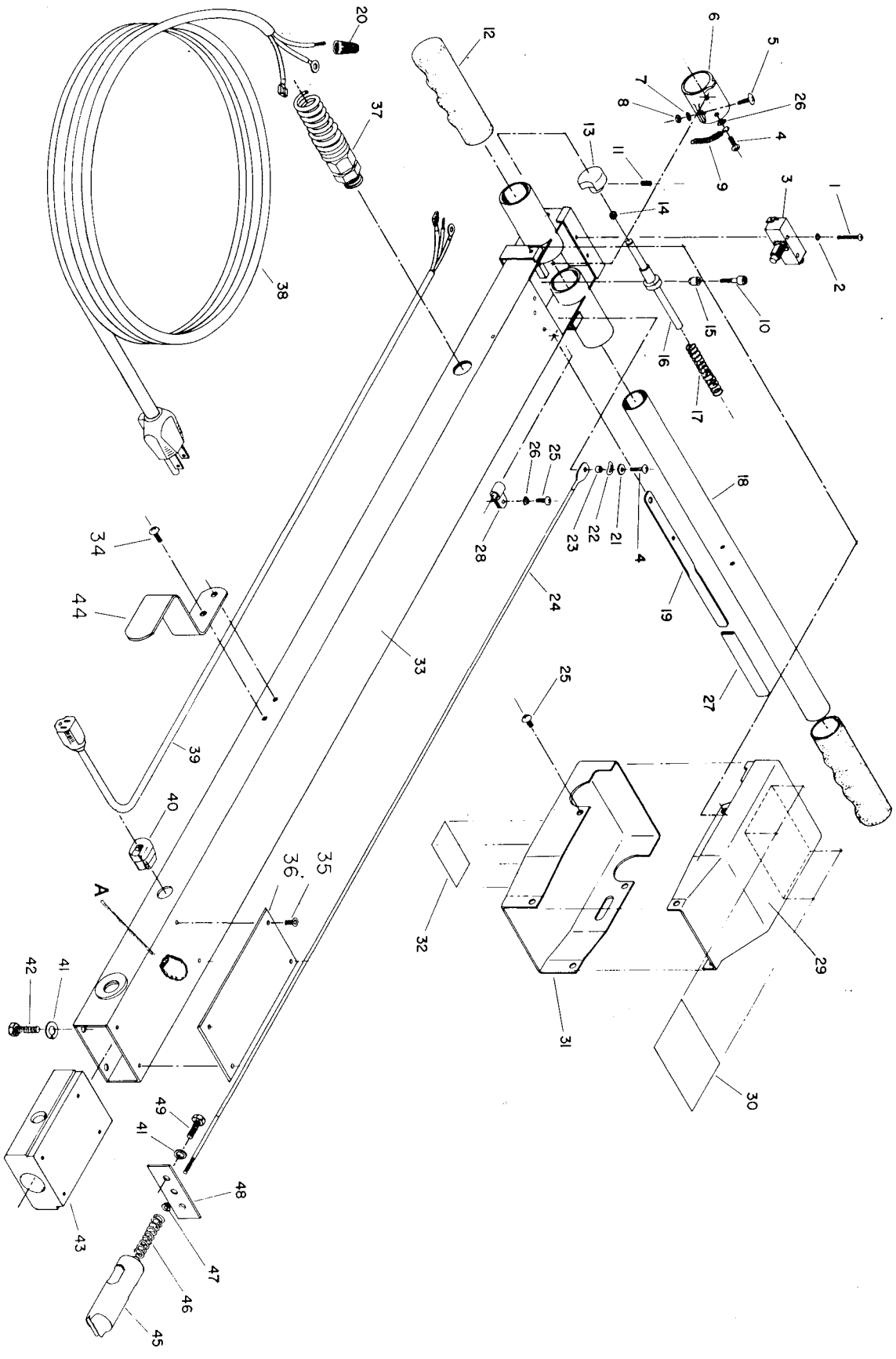
Model: M20150-00
M20140-01

■ OPERATION ■ SERVICE ■ PARTS ■ CARE



Revised 3/94

Minuteman[®]



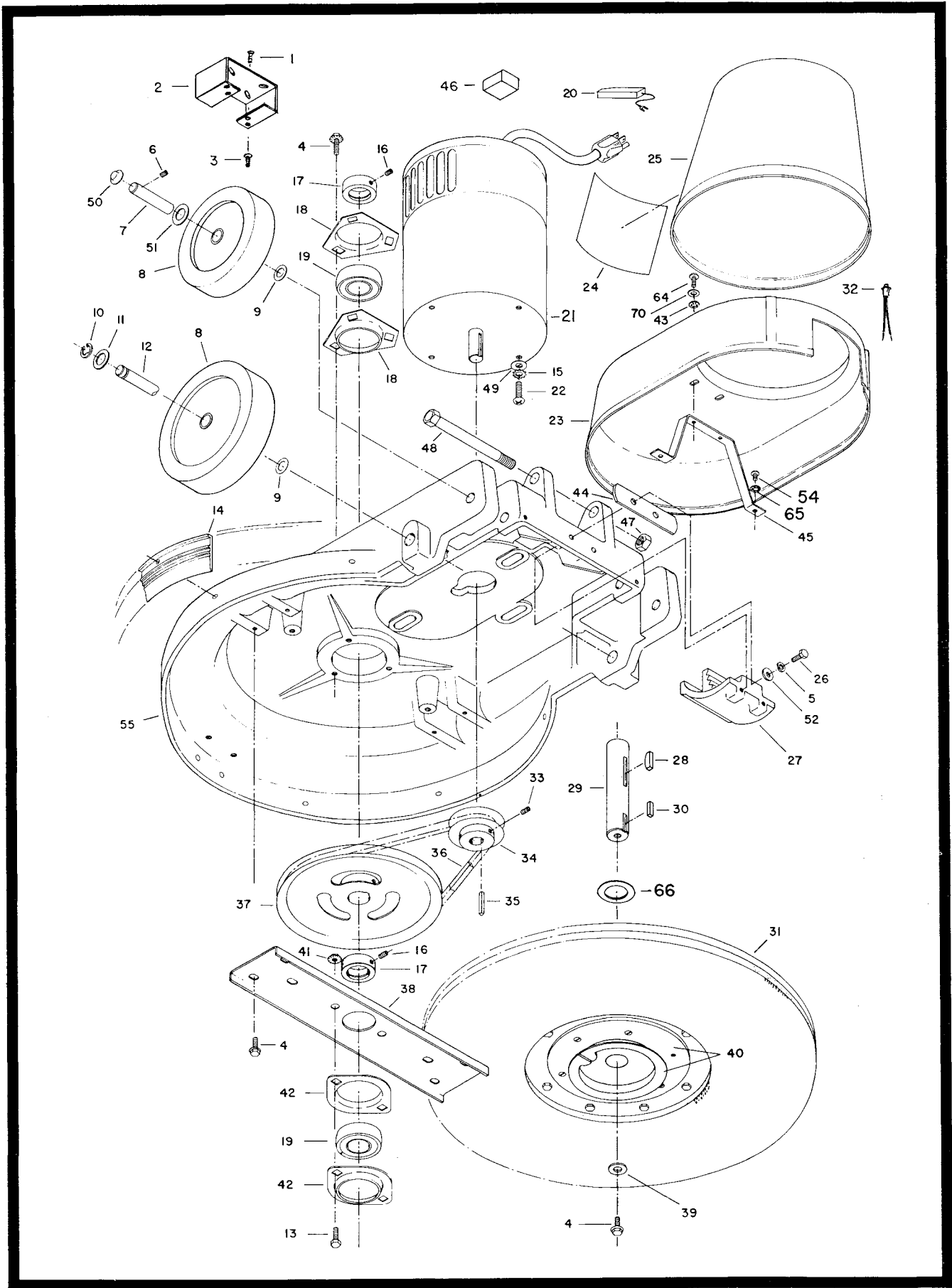
Handle Assembly

Item	Part No.	Qty.	Description	Item	Part No.	Qty.	Description
1	710207	2	SCR-MC 6-32 x .87 ST PL	26	711543	2	WSR, Helical SPR LOC #10
2	711551	2	WSR, Intri. Tooth LOC #6	27	762236	1	Grip, Lever
3	740029	1	Switch	28	381052	1	Retainer
4	710356	3	MCR-MC 10-32 x .62 ST PL	29	762126	1	Cover, SW Box Rear
5	710556	1	SCR-MC 10-32 x .75 ST PL	30	715062	1	Decal, Warning 2.50 x 3.50
6	762128	1	Lock	31	762125	1	Cover, Front ABS
7	711553	1	WSR, Internal Lock #10	32		1	Decal, Logo
8	711310	1	Hex-Nut 10-32 ST PL	33	750580	1	Handle Tube Weldment
9	762084	1	Spring	34	711125	2	SCR-ST-B #10 x .50
10	712041	1	BLT, SDER 1/4-20 x .56 x .37	35	711105	4	SCR-ST-A 10 x .50 NI
11			SCR, Set 8-32 x 1/8	36	762113	1	Stair Glide
12	762086	2	Grip, Handle	37	150003	1	Relief, Strain 100 x 50
13	762129	1	Button	38	150002	1	Black Cord Set, 14-3 50 ft.
14	762098	1	Bushing	38a	740600	1	Cord, International
15	762058	1	Spacer	39	762156	1	Cord, Handle
16	762143PLT	1	Pin, Switch LOC Zinc PLT	40	740108	1	Strain Relief
17	762103	1	Spring	41	711544	6	WSR, Helical SPR LOC 1/4
18	762067	1	Tube, Handle	42	711203	4	BLT, HH 1/4-20 x .62
19	762158PLT	1	Lever, Handle Release	43	762153	1	Guide, Handle Lock
20	740005	2	Cap, Wire 18-14 73B	44	762182	1	Hook, Cord
21	711503	1	WSR, Flat #10	45	762142PLT	1	Lock, Handle
22	711522	1	WSR, Wave 1/4	46	762149	1	Spring
23	762059	1	Bushing	47	762060	1	Bushing
24	762119	1	Cable	48	762159	1	Retainer
25	711124	2	SCR-ST-B 10 x .37 NI	49	711202	2	Bolt, 1/4-20 x .50 ST PL

ADJUSTING HANDLE ASSEMBLY

When the handle fails to respond to the tilt mechanism a simple adjustment is required.

1. Note whether the handle lock (P/N 762142PLT) is engaging the handle segment (P/N 762154 NIC PLT) or not.
2. Remove the handle from the machine.
3. Remove the stair glide (P/N 762113) (36) from the back of the handle.
4. Hold the handle release lever completely up.
5. With a pair of pliers, hold the cable thru hole A to prevent it from turning, as you turn the handle lock (45) in or out.



Base Assembly

Item	Part No.	Qty.	Description
1	711109	2	SCR-ST #12 x .50
2	760066	1	Adapter, Motor
3	710353	2	SCR-MC 10/32 x .37
4	712042	10	Bolt HH 5/16-18 x .62 SP
5	711544	8	WSR, Helical SPR LOC 1/4
6	711022	2	Screw, Set 1/4-20 .50
7	762221PLT	2	Axle .50 x 3.50 Zinc PLT
8	760064	4	Wheel 5-inch
9	711524	6	WSR, Wave #26 ST PL
10	711713	2	Retaining Ring-E EXT .50
11	711594	2	WSR, Flat .56 x .88 x .03 NKL
12	762217	1	Axle 18" Zinc Plated
13	711227	2	Bolt, 5/16-18 x 5/8
14	200004	2	Bumper
15	711555	4	Washer, Lock 3/8 International
16		2	SCR Set 1/4-28 x 5/16
17		2	Collar, LOC (not sold separately)
18	762112	2	Flangette 3 Point
19	762110	2	Bearing with LOC Collar
20	762160	4	Brush, Carbon Replacement
21	740205	1	Motor 1-1/2 H.P. DC REC
21a	832779		Motor 1.5 H.P. 230 Volt
22	710986	4	SCR-SC 3/8-16 x 1.00 ST PL
23	762124	1	Cover, Motor Lower
24		1	Decal, Logo
25	762123	1	Cover, Motor Upper
26	711207	6	BLT, HH 1/4-20 x 1.00
27	762154PLT	1	Segment, Handle NIC PLT
28	762120	1	Key, Woodruff 1/4 x 3/4
29	760029	1	Drive Shaft 303SS
30	760043	1	Key, .187 Sq. x .675 L
31	750076	1	Pad Driver Assembly
32	832859	1	Indicator Light 115V
32a	832860	1	Indicator Light 230V
34	830904	1	Pulley, Motor
35		1	Key, .187 Sq. x 1"
36	762116	1	Belt, Drive
37	762118	1	Pulley, Drive
38	762052	1	Bracket, Driver
39	711507	1	WSR, Flat 3/8 Area
40	762370	1	CTR, Device
41	711379	2	Flanged, WIZZ Nut 5/16-18
42	762114	2	Flangette 2 Point
43	711542	2	WSR, LOC #8
44	762259	1	Bracket Support
45	762242	1	Bracket, Cover
46	740202	1	Rectifier Bridge
47	711376	1	Nut-Nyloc 1/2-13
48	712012	1	BLT-HH 1/2-13 x 5 ST PL
49	711515	4	Washer, Flat .44 x .87 x .07
50	130032	2	Cap, Retainer
51	711579	4	Washer, Flat 9/16 x 1.00
52	711505	4	WSR, Flat 1/4
54	710355	4	SCR-MC 10-32 x .50 ST PL
55	762057PTD	1	Housing, Brush 20"
64	710329		SCR-MC 8-32 x .50 ST PL
65	711543	2	WSR, Helical SPR LOC #10
66	711526	2	WSR, Wave 1.05 ID x 1.351
70	711502	2	WSR, Flat #8