



Electronic Service Manuals

This electronic document is provided as a service to our customers. We do not create the contents of the information contained in this document. Should you have detailed questions pertaining to the information contained in this document, you may contact Michco, or the manufacturer which provided the original information in this electronic deliverable. Michco's only part in this electronic deliverable was the electronic assembly process.

You may contact Michco through the following methods:
Phone (517) 484-9312 or (800) 331-3339 MI, OH, IN only
2011 N. High St. -- Lansing, Michigan -- 48906
Fax: (517) 484-9836
Email: CustServ@Michco.com
Web site: www.Michco.Com
Parts Web site: www.FloorMachineParts.Com

Order Parts on Line at:
www.FloorMachineParts.Com

Directly to Parts & Service:
By Email: **Shop@Michco.com**
By Fax: (517) 702-2041
By Voice: Use numbers above.

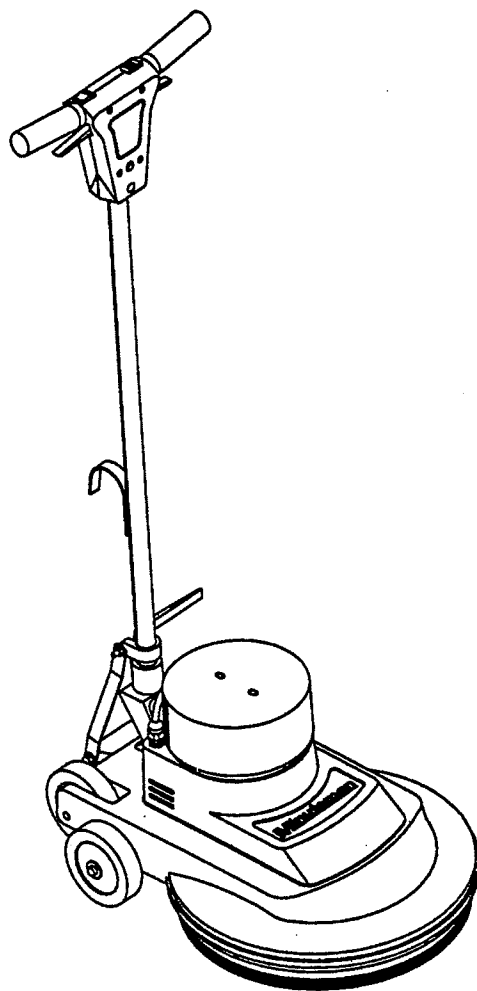
Serving the Cleaning Industry Since 1922

Notice: All copyrighted material remains property of original owners, all trademarks are property of respective owners. Manuals are subject to Manufacturer's reproduction limitations. Originals or reproductions were provided by manufacturers through a request. We make no warranty as to the correctness of information provided in this document and you assume all risk.

1500 Burnisher

Model: M20130-00 (115V)
M20130-01 (230V)

■ OPERATION ■ SERVICE ■ PARTS ■ CARE



Revised 11/00

Minuteman[®]

FOR COMMERCIAL USE ONLY

IMPORTANT SAFETY INSTRUCTIONS

When using an electrical appliance, basic precautions should always be followed, including the following:

READ ALL INSTRUCTIONS BEFORE USING

WARNING - To reduce the risk of fire, electric shock, or injury:

- Do not leave appliance when plugged in. Unplug from outlet when not in use and before servicing.

WARNING

To reduce the risk of electrical shock - Do not expose to rain. Store indoors.

- Never allow children or untrained adults to operate this equipment.
- Keep the area of operation clear of all persons, particularly small children, and pets. Keep bystanders at least 25 feet away from the area of operation.
- Use only as described in this manual. Use only manufacturer's recommended attachments.
- Do not use with damaged cord or plug. If appliance is not working as it should, has been dropped, damaged, left outdoors, or dropped into water, return it to a service center.
- Do not pull or carry by cord, use cord as a handle, close a door on cord, or pull cord around sharp edges or corners. Do not run appliance over cord. Keep cord away from heated surfaces.
- Do not unplug by pulling on cord. To unplug, grasp the plug, not the cord.
- Do not handle plug or appliance with wet hands.
- Do not put any object into openings. Do not use with any opening blocked; keep free of dust, lint, hair, and anything that may reduce air flow.
- Keep hair, loose clothing, fingers, and all parts of body away from openings and moving parts.
- Do not pick up anything that is burning or smoking, such as cigarettes, matches, or hot ashes.
- Do not use without dustbag and/or filters in place.
- Turn off all controls before unplugging.
- Use extra care when cleaning on stairs.
- Do not use to pick up flammable or combustible liquids such as gasoline or use in areas where they may be present.
- Connect to a properly grounded outlet only. See grounding instructions.

SAVE THESE INSTRUCTIONS

INSPECTION

Carefully unpack and inspect your machine for shipping damage. Each unit is tested and thoroughly inspected before shipment, and any damage is the responsibility of the delivery carrier who should be notified immediately.

WARNING

- Read Instruction Manual before operating this piece of equipment.
- To reduce the risk of fire use only commercially available floor cleaners and waxes intended for machine application.
- Risk of explosion - floor sanding can result in an explosive mixture of fine dust and air. Use floor sanding machine in a well-ventilated area free from any flame or match.
- Electrical motors and components can cause an explosion when operated near volatile materials and vapors. Do not use this machine near flammable materials such as solvents, thinners, fuels, grain dust, etc.

ELECTRICAL - 115 Volt Model M20130-00

This machine is designed to operate on a standard 15 amp. 120 volt, 60 hz, AC circuit. Voltages below 105 volt AC or above 125 volts AC could cause serious damage to the motor.

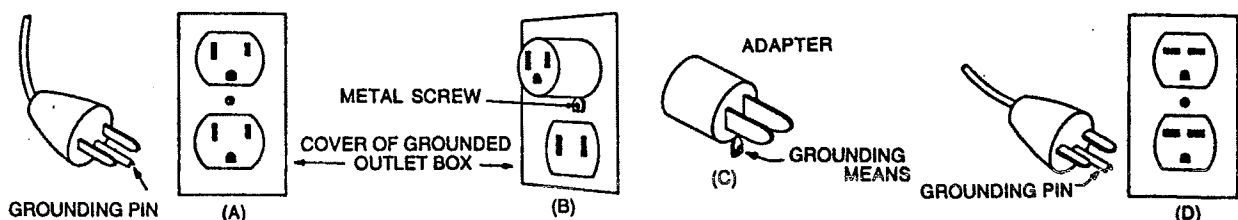
ELECTRICAL - 240 Volt Model M20130-01

This machine is designed to operate on a standard 16 amp. type L fused 230 volt, 50 hz, AC circuit. Voltages below 200 volt AC or above 250 volts AC could cause serious damage to the motor.

GROUNDING INSTRUCTIONS

- This floor finishing machine should be grounded while in use to protect the operator from electric shock. The machine is equipped with a three-conductor cord and a three-prong grounding type attachment plug to fit the proper grounding type receptacle. The green (or green and yellow) conductor in the cord is the grounding wire. Never connect this wire to other than the grounding blade.
- Floor Finishing Machines Rated Less Than 150 Volts - If the machine is provided with an attachment plug as shown in Sketch A it is intended for use on a 120-volt (nominal) circuit. If a properly grounded receptacle as shown in Sketch A is not available, an adapter as shown in Sketch C is available and should be installed as shown in Sketch B if the outlet box that houses the receptacle is grounded. Be sure to fasten the grounding tab with the faceplate screw.
- Floor Finishing Machines Rated More Than 150 Volts - If the machine is provided with an attachment plug as shown in Sketch D, it is intended for use on a nominal 240 volt circuit. No adapter is available for this plug.

ADAPTER (Not applicable in Canada)



POUR USAGE COMMERCIAL SEULEMENT

MODE D'EMPLOI SECURITAIRE

Lorsque l'on utilise un appareil électrique, des précautions de base doivent toujours être suivies telles que:

BIEN LIRE LE MODES D'EMPLOI AVANT USAGE

AVERTISSEMENT - Pour réduire les risques de feu, choc électrique ou blessure:

- Ne pas quitter l'appareil lorsque la prise de courant est branchée. Débrancher de la sortie électrique lorsque la machine n'est pas en usage ou pour en faire le service.

AVERTISSEMENT - Pour réduire le risque de choc électrique - Ne pas exposer à la pluie - Entreposer à l'intérieur.

- Ne jamais laisser des enfants ou des adultes inexpérimentés faire fonctionner cet appareil.
- Garder la zone de fonctionnement libre de toute personne, particulièrement les petits enfants et les animaux. Garder les spectateurs à une distance d'au moins 7,6 mètres (25 pieds de la zone de fonctionnement).
- Utiliser tel que prescrit dans le livre d'opération et seulement avec les attachements recommandés par le fabricant.
- Ne pas s'en servir avec corde ou prise de courant endommagée. Si l'appareil ne fonctionne pas ou a été échappé, endommagé, entreposé à l'extérieur ou déposé dans l'eau, l'appareil devrait être envoyé à un département de service pour inspection.
- Ne pas tirer ou porter par le câble ou se servir du câble comme poignée. Ne pas fermer de portes sur le câble ou tirer le câble près d'objets pointus. Ne pas conduire l'appareil en écrasant le câble et soyez certain de protéger le câble entre toutes surfaces de chauffage.
- Ne pas débrancher en se servant du câble. Pour débrancher tirer sur la prise et non sur le câble.
- Ne pas manipuler la prise ou l'appareil avec les mains mouillées.
- Ne placer aucun objet dans la sortie et ne pas s'en servir si la sortie est obstruée. Eliminer toute poussière, maillon, cheveux ou quoique ce soit qui pourrait réduire le mouvement d'air.
- N'exposer aucun cheveux, vêtement, doigts ou autres aux ouvertures de l'appareil.
- Ne rien ramasser de ce qui brûle ou de fumée tels que cigarettes, allumettes ou cendres en feu.
- Ne pas employer sans filtre de poussière ou autre en position.
- Fermer tous les contrôles après utilisation.
- Soyez très prudent lors du nettoyage d'escaliers.
- Ne pas ramasser de liquide inflammable ou combustible tel que gazoline et ne pas utiliser dans les endroits ou ces derniers pourraient être présent.
- Brancher dans une prise avec une prise de terre seulement. Voir références pour prise de terre.

**CONSERVEZ CES RECOMMANDATIONS
DE MODE D'EMPLOI**

INSPECTION

Déballer soigneusement en constatant s'il y a lieu tout dommage apparent. Chacune des pièces d'équipement est entièrement inspectée à l'usine et tout dommage de transit est la responsabilité de la compagnie de transport qui devrait être prévenue immédiatement.

AVERTISSEMENT

- S.V.P. lire le manuel d'instruction avant d'opérer cette pièce d'équipement.
- Pour réduire le risque d'incendie, se servir de ces appareils uniquement pour usage commercial et avec les produits conçus spécifiquement pour usage avec ces appareils.
- Les moteurs électriques peuvent être la cause d'explosion si ils sont utilisés près de matériaux ou de vapeurs explosives. Ne pas opérer près de matériaux inflammables tels que solvant, essence, poussière de grain etc.

ELECTRICITE - 115 Volt Modèles M20130-00

Ces appareils sont conçus pour opérer sur un circuit standard de 15 amp, 120 volt, 60 hz, circuit AC. Tout voltage en bas de 105 volt AC ou au-delà de 125 volts AC pourrait occasionner des dommages au moteur.

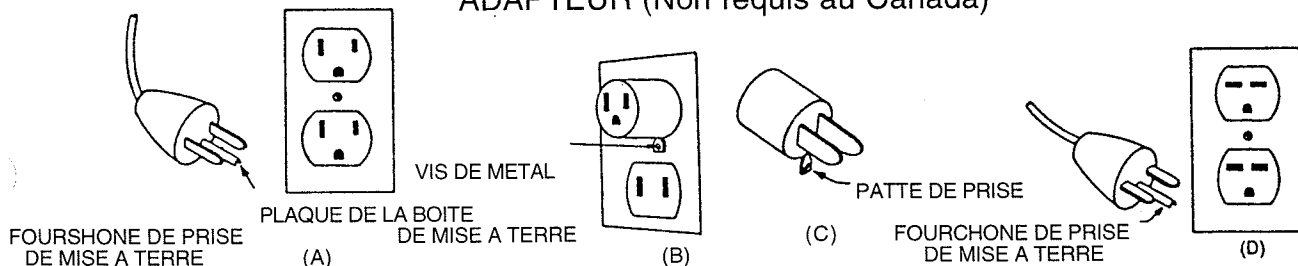
ELECTRICITE - 230 Volt Modèles M20130-01

Ces appareils sont conçus pour opérer sur un circuit standard AC de 16 amp, fusible type L 230 volt, 50 hz. Tout voltage en bas de 200 volt AC ou au-delà de 250 volts AC pourrait occasionner des dommages au moteur.

INSTRUCTIONS POUR PRISE DE TERRE

- Ces appareils doivent posséder une prise de mise à terre pour protéger l'opérateur contre les chocs électriques. Cet appareil est muni d'une corde électrique à trois fils et d'un réceptacle à trois fourchons et prise de mise à terre pour s'accorder dans un réceptacle avec prise de mise à terre réciproque. Le fil conducteur vert (ou vert et jaune) de la corde électrique est le fil désigné comme prise de mise à terre. Ne jamais relier ce fil à un fil autre que celui de prise de mise à terre.
- Appareils estimés à moins de 150 volts - Si ces appareils offrent une prise de courant tel que dans le croquis A, ils sont destinés pour utilisation avec un circuit de 120 volts. Si un réceptacle avec prise de mise à terre n'est pas disponible tel que montré au croquis A, un adaptateur tel que vu au croquis C est disponible et devrait être installé tel que montré au croquis B si la boîte électrique est munie d'une prise de mise à terre. Assurez-vous de bien relier la patte de prise avec la vis.
- Appareils destinés à plus de 150 volts - Si ces appareils offrent une prise de courant tel que démontré au croquis D, ils doivent être utilisés avec un circuit de 240 volts. Aucun adaptateur n'est disponible pour cette prise.

ADAPTEUR (Non requis au Canada)



USER MAINTENANCE INSTRUCTIONS

All service and repair should be performed by a qualified electrician. No user serviceable components are employed in this equipment. No lubrication of the motor is required.

CORD STORAGE

While not in use storage can be accomplished by winding cord around handle assy. Cord should be completely unwound during operation.

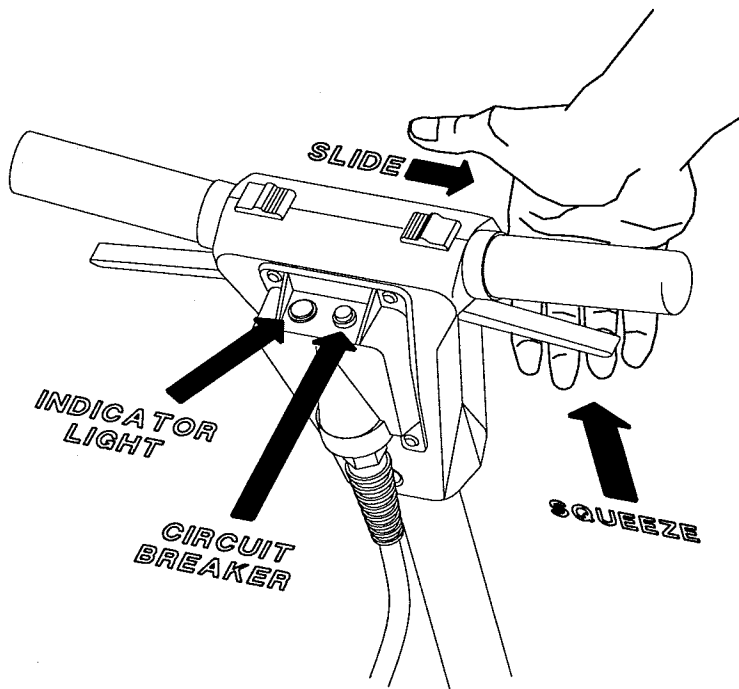
- Do not use with damaged cord or plug. If appliance is not working as it should, has been dropped, damaged, left outdoors, or dropped into water, return to service center.
- Do not pull or carry by cord, use cord as handle, close a door on cord, or pull cord around sharp edges or corners. Do not run appliance over cord. Keep cord away from heated surfaces.
- Do not unplug by pulling cord. To unplug, grasp the plug, not the cord.
- Do not handle plug or appliance with wet hands.
- Always unplug the machine when removing brush. This equipment should be stored indoors and not exposed to rain.

PREVENTATIVE MAINTENANCE - 2-Speed Models Only

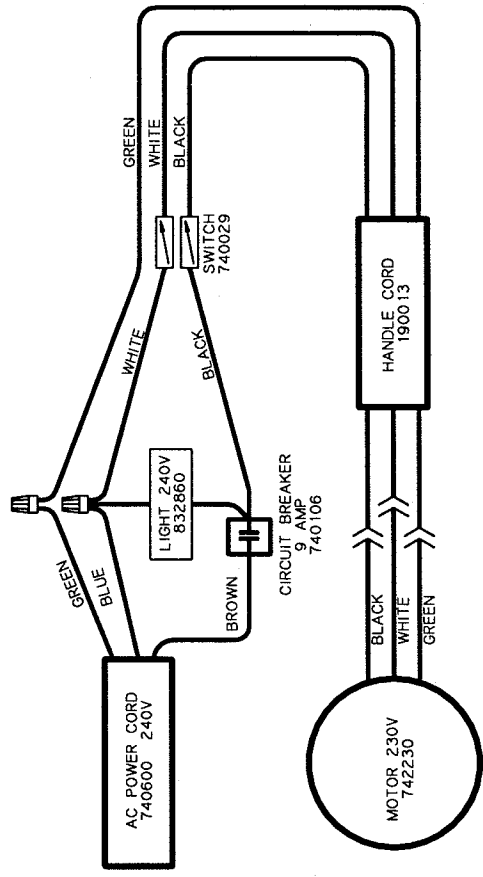
This machine employs a motor carbon brush wear indicator light located on the rear of the motor cover. This will illuminate when the carbon brushes are worn to the point of needing replacement, service should be done by a qualified electrician.

OPERATION

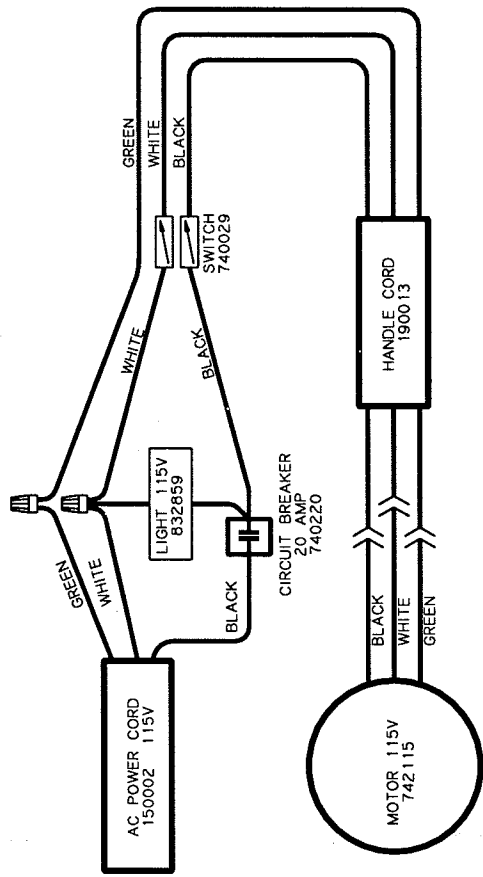
This equipment is equipped with a trigger safety interlock. Refer to diagram pictured below.



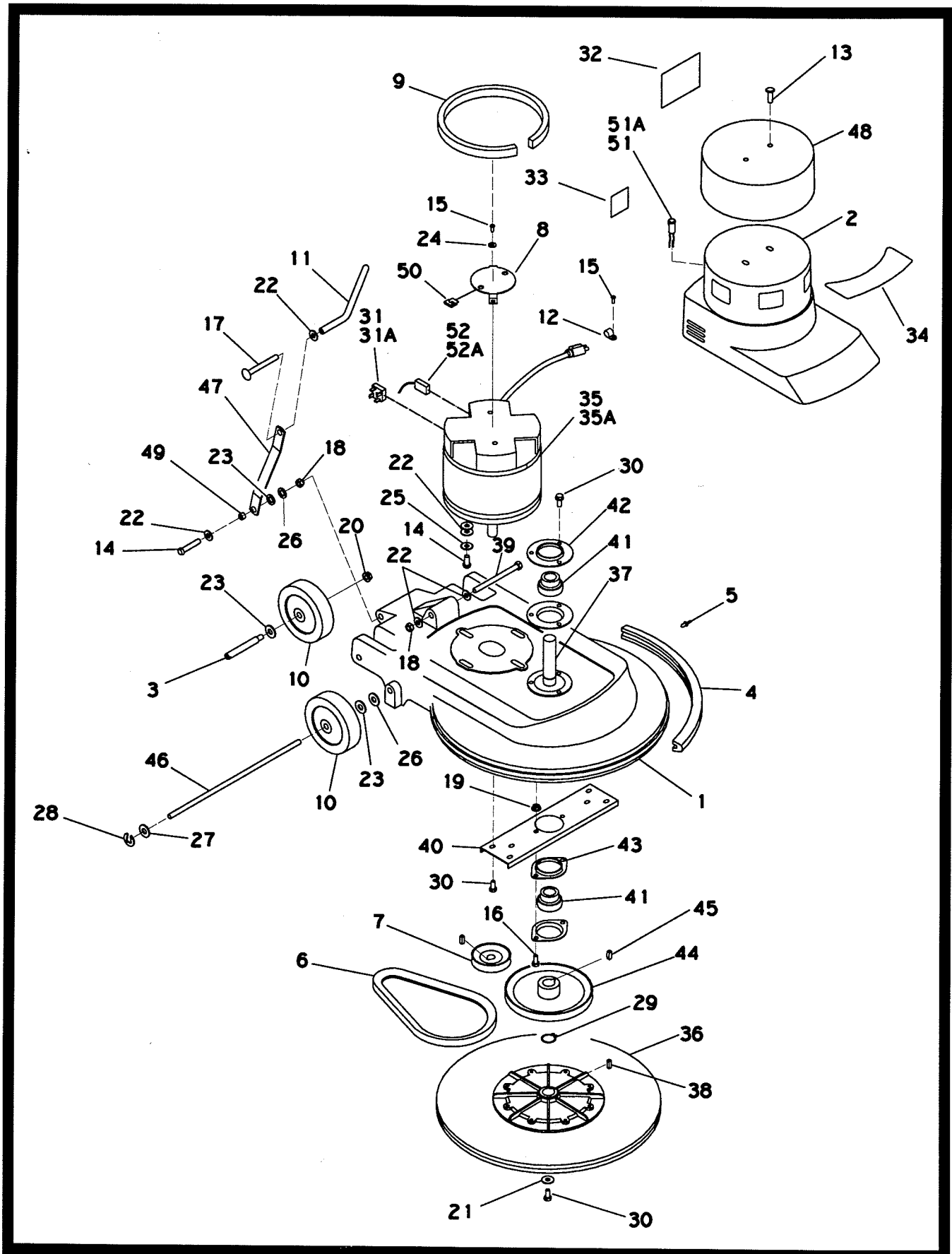
WIRING DIAGRAM MODEL M20130-01 (230V)



WIRING DIAGRAM MODEL M20130-00 (115V)



BASE ASSEMBLY

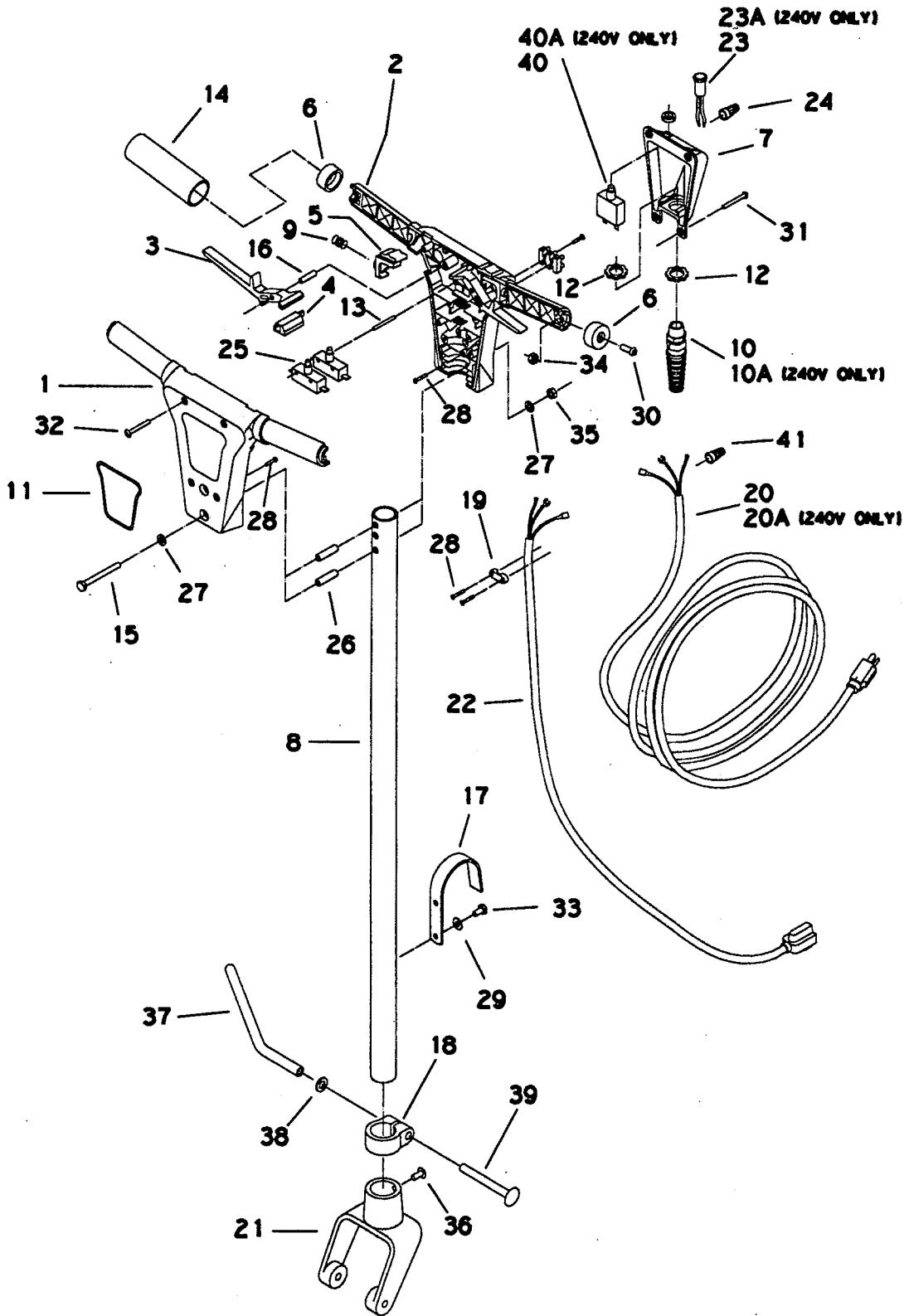


PARTS LIST

Item	Part No.	Qty.	Description
1	150200MCH	1	HS Casting Machined
2	150201	1	Motor Cover
3	150202	2	Wheel Axle
4	150203	1	Bumper 1500
5	150204	3	Anchor Rivet
6	150205	1	V Belt
7	150206	1	4L Pulley W Set Screw
8	150208	1	Motor Bracket
9	150209	1	Foam Tape
10	150211	4	Wheel 5 in.
11	190039	1	Lever Rod
12	381052	1	Clamp Plastic 3/8 ID
13	710196	2	SCR-MC 5/16-18 x .62
14	710986	6	SCR-SC 3/8-16 x 1.00
15	711124	3	SCR-ST-B 10 x .37
16	711227	2	BLT-HH 5/16-18 x .62
17	711254	1	BLT-CR 3/8-16 x 2.50
18	711375	3	Nut-Nyloc 3/8-16 1/2
19	711379	2	Nut-Flanged Wizz 5/16-18
20	711439	2	Nut-Flanged Wizz 3/8-16
21	711507	1	WSR-Flat .37 x 1.12 x .06
22	711515	13	WSR-Flat .406 x .812 x .0625
23	711524	6	WSR-Wave .52 x .87 x .01
24	711554	2	WSR-Internal Lock 1/4
25	711555	4	WSR-Internal Lock 3/8
26	711592	4	WSR-Nylon .5 x 1.06 x .06
27	711594	2	WSR-Flat .56 x .88 x .03
28	711713	2	Retaining Ring - E Ext. .50
29	711719	1	Retaining Ring - Ext. 1.00
30	712042	10	Bolt-WSR HH 5/16-18 x .62
31	740202	1	Rect. Bridge 50A 600V
31A	740203	1	Rect. Bridge 50A1000V
32	715062	1	General Warning
33	715067	1	Decal Brush Wear Indicator
34	715714	1	Decal 1500
35	742115	1	Motor 1.5 HP 66FR 115V
35A	742230	1	Motor 1.5 HP 66FR 230V
36	750076	1	Pad Driver Assembly
37	760029	1	Drive Shaft
38	760043	1	Key .187 sq. x .675 L
39	760261	1	Bolt, Handle Yoke
40	762052	1	Bracket, Driver
41	762110	2	Bearing w/Loc Collar
42	762112	2	Flangette 3 Point
43	762114	2	Flangette 2 Point
44	762118	1	Pulley, Drive
45	762120	1	Key, Woodruff 1/4 x 3/4
46	762217	1	Axle 18"
47	807248	2	Handle Brace
48	829194	1	Motor Top Cover
49	832122	2	Spacer
50	832829	2	Nut U Type 5/16 x 18
51	832859-1	1	Indicator Light Assembly 115V
51A	832860-1	1	Indicator Light Assembly 240V
52	762160	4	Brush, Carbon 115V
52A	740281	4	Carbon Brush 240V

HANDLE ASSEMBLY

150116/150221



PARTS LIST

Item	Part No.	Qty.	Description
1	190022	1	Switch Box Front
2	190023	1	Switch Box Rear
3	190033	2	Switch Trigger
4	190008	1	Switch Cap
5	190009	2	Safety Button
6	190006	2	End Cap
7	190005MCH	1	Electrical Box Rear
8	190012	1	Tube Handle
9	190015	2	Trigger Spring
10	150003	1	Strain Relief, 115V
10A	150004	1	Strain Relief, 240V
11	715175	1	Decal, Minuteman Runner
12	711400	2	Nut-Pipe Lock 1/2
13	711619	2	Roll Pin 1/8 x 1.50
14	190016	2	Foam Grip
15	710186	2	SCR-MC 1/4-20 x 2.25 TH
16	711620	2	Roll Pin 1/4 x 1.0
17	170040PLT	1	Cord Hook
18	16224	1	Handle Clamp
19	190010	1	Strain Relief
20	150002	1	Orange Cord Set, 115V
20A	740600	1	Cord Set, 240V
21	803379	1	Yoke
22	190013	1	Cord, Handle
23	832859	1	Indicator Light, 115V
23A	832860	1	Indicator Light, 240V
24	740005	1	Wire Cap 14-18
25	740029	2	Switch 1.5 HP
26	190029	2	Sleeve
27	711504	4	WSR-Flat 1/4
28	711128	4	SCR-Hi/Lo #8-18 x .625
29	711544	2	WSR-Helical 1/4
30	710380	2	SCR-MC 1/4-20 x .75
31	711160	4	SCR-Hi/Lo 10 x .63
32	711162	4	SCR-Hi/Lo 10 x 1.50
33	711202	2	Bolt-HH 1/4-20 x .50
34	711316	2	Nut-Hex 1/4-20
35	711373	2	Nut-Nyloc 1/4-20
36	710579	2	SCR-MC 1/4-20 x .62
37	190039	1	Lever Rod
38	711515	1	WSR-Flat .406 x .812 x .063
39	711254	1	Carriage Bolt 3/8-16 x 2 .50
40	740220	1	Circuit Breaker 20 amp
40A	740106	1	Circuit Breaker 9 amp
41	740044	1	Wire Cap 12-18
42	807190	1	Bolt Cam

LIMITED WARRANTY

Minuteman International, Inc. warrants to the original purchaser/user that this product is free from defects in workmanship and materials under normal use and service for a period of three years from date of purchase. In addition, Minuteman International, Inc. will, at its option, honor labor warranty claims for the first 12 months from date of sale, provided such claims are submitted through and approved by factory authorized repair stations. Minuteman International, Inc. will, at its option, repair or replace without charge, except for transportation costs, parts that fail under normal use and service when operated and maintained in accordance with the applicable operation and instruction manuals.

This warranty does not apply to normal wear, or to items whose life is dependent on their use and care, such as belts, cords, switches, hoses, rubber parts, electrical motor components or adjustments. Parts not manufactured by Minuteman International, Inc. such as engines, batteries, battery chargers, hydraulic pumps, and tires are covered by and subject to the warranties and/or guarantees of their manufacturers. Please contact Minuteman International, Inc. for procedures in warranty claims against these manufacturers.

Special warning to purchaser -- Use of replacement filters and/or prefilters not manufactured by Minuteman International, Inc. or its designated licensees, will void all warranties expressed or implied.

A potential health hazard exists without exact original equipment replacement.

All warranted items become the sole property of Minuteman International, Inc. or its original manufacturer, whichever the case may be.

Minuteman International, Inc. disclaims any implied warranty, including the warranty of merchantability and the warranty of fitness for a particular purpose. Minuteman International, Inc. assumes no responsibility for any special, incidental or consequential damages.

This limited warranty is applicable only in the U.S.A. and Canada, and is extended only to the original user/purchaser of this product. Customers outside the U.S.A. and Canada should contact their local distributor for export warranty policies. Minuteman International, Inc. is not responsible for costs or repairs performed by persons other than those specifically authorized by Minuteman International, Inc. This warranty does not apply to damage from transportation, alterations by unauthorized persons, misuse or abuse of the equipment, use of non-compatible chemicals, or damage to property, or loss of income due to malfunctions of the product.

If a difficulty develops with this machine, you should contact the dealer from whom it was purchased.

This warranty gives you specific legal rights, and you may have other rights which vary from state to state. Some states do not allow the exclusion or limitation of special, incidental or consequential damages, or limitations on how long an implied warranty lasts, so the above exclusions and limitations may not apply to you.

Minuteman[®]

World Headquarters
Minuteman International, Inc.
111 South Rohlwing Road
Addison, Illinois 60101

(630) 627-6900
FAX (630) 627-1130

Minuteman Canada, Inc.
2210 Drew Road
Mississauga, Ontario
L5S 1B1

(905) 673-3222
FAX (905) 673-5161

988600
Printed in U.S.A.