



Electronic Service Manuals

This electronic document is provided as a service to our customers. We do not create the contents of the information contained in this document. Should you have detailed questions pertaining to the information contained in this document, you may contact Michco, or the manufacturer which provided the original information in this electronic deliverable. Michco's only part in this electronic deliverable was the electronic assembly process.

You may contact Michco through the following methods:
Phone (517) 484-9312 or (800) 331-3339 MI, OH, IN only
2011 N. High St. -- Lansing, Michigan -- 48906
Fax: (517) 484-9836
Email: CustServ@Michco.com
Web site: www.Michco.Com
Parts Web site: www.FloorMachineParts.Com

Order Parts on Line at:
www.FloorMachineParts.Com

Directly to Parts & Service:
By Email: **Shop@Michco.com**
By Fax: (517) 702-2041
By Voice: Use numbers above.

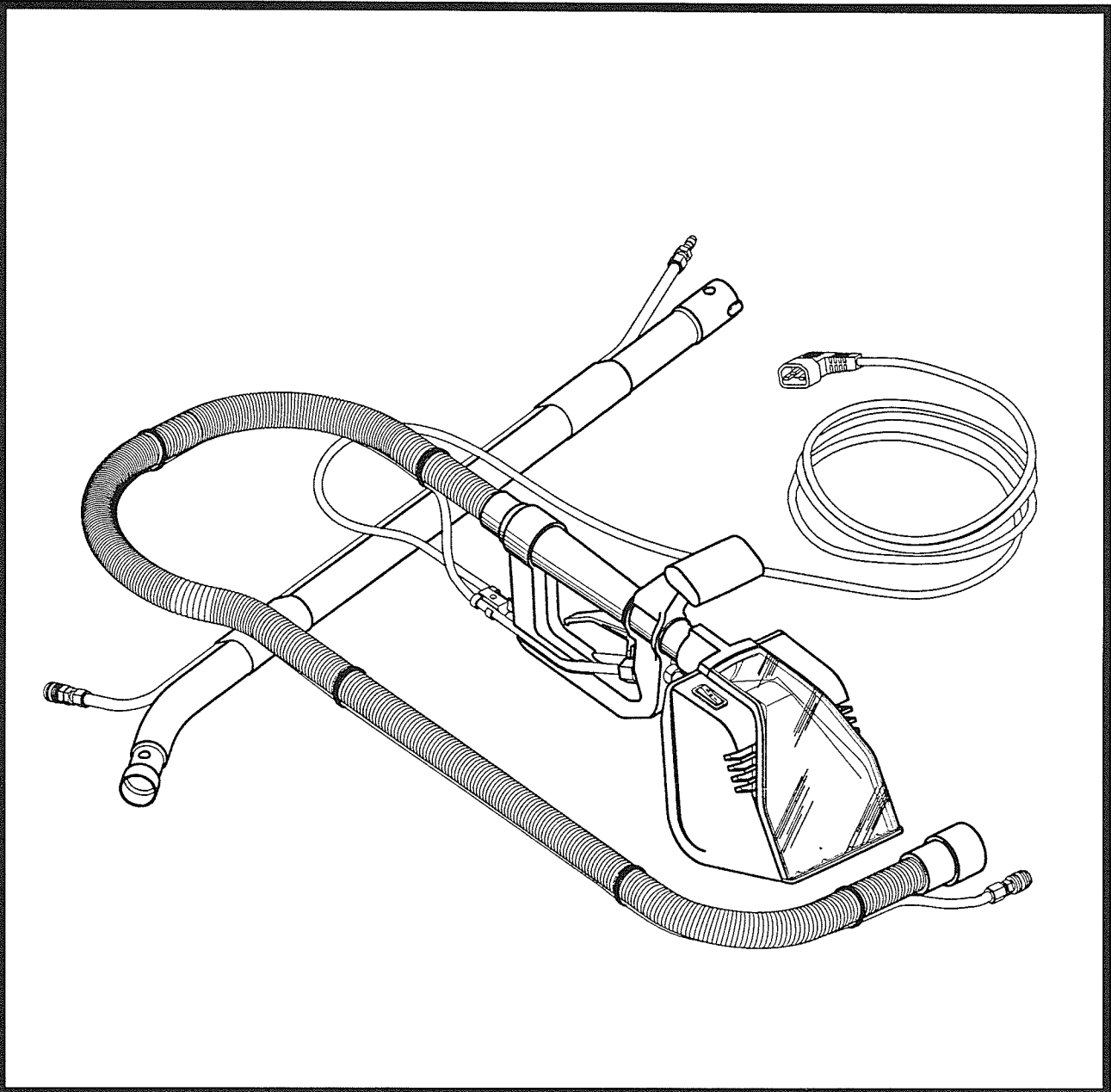
Serving the Cleaning Industry Since 1922

Notice: All copyrighted material remains property of original owners, all trademarks are property of respective owners. Manuals are subject to Manufacturer's reproduction limitations. Originals or reproductions were provided by manufacturers through a request. We make no warranty as to the correctness of information provided in this document and you assume all risk.

Motorized Tool

Model: C46300-00
C46300-02

■ OPERATION ■ SERVICE ■ PARTS ■ CARE



Revised 4/01

FOR COMMERCIAL USE ONLY

IMPORTANT SAFETY INSTRUCTIONS

When using an electrical appliance, basic precautions should always be followed, including the following:

READ ALL INSTRUCTIONS BEFORE USING

WARNING - To reduce the risk of fire, electric shock, or injury:

- Do not leave appliance when plugged in. Unplug from outlet when not in use and before servicing.

WARNING

To reduce the risk of electrical shock, do not expose to rain. Store indoors.

- Do not immerse.
- Use only with Minuteman Carpet Spotter model C46200-00 and Ambassador Model C46000-00.
- Do not allow to be used as a toy. Close attention is necessary when used by or near children.
- Use only as described in this manual. Use only manufacturer's recommended attachments.
- Do not use with damaged cord or plug. If appliance is not working as it should, has been dropped, damaged, left outdoors, or dropped into water, return it to a service center.
- Do not pull or carry by cord, use cord as a handle, close a door on cord, or pull cord around sharp edges or corners. Do not run appliance over cord. Keep cord away from heated surfaces.
- Do not unplug by pulling on cord. To unplug, grasp the plug, not the cord.
- Do not handle plug or appliance with wet hands.
- Do not put any object into openings. Do not use with any opening blocked; keep free of dust, lint, hair, and anything that may reduce air flow.
- Keep hair, loose clothing, fingers, and all parts of body away from openings and moving parts.
- Do not pick up anything that is burning or smoking, such as cigarettes, matches, or hot ashes.
- Turn off all controls before unplugging.
- Use extra care when cleaning on stairs.
- Do not use to pick up flammable or combustible liquids such as gasoline or use in areas where they may be present.
- Connect to a properly grounded outlet only. See grounding instructions.
- This machine is not suitable for picking up health endangering dust.
- Do not use for general wet pick up applications - use only on carpet moistened by the cleaning process.

SAVE THESE INSTRUCTIONS

INSPECTION

Carefully unpack and inspect your machine for shipping damage. Each unit is tested and thoroughly inspected before shipment, and any damage is the responsibility of the delivery carrier who should be notified immediately.

ELECTRICAL - Model C46300-00 (115V)

This machine is designed to operate on a standard 15 amp. 115 volt, 60 hz, AC circuit. Voltages below 105 volts AC or above 125 volts AC could cause serious damage to the motor.

ELECTRICAL - Model C46300-02 (230V)

This machine is designed to operate on a standard 16 amp. type L fused 230 volt, 50 hz, AC circuit. Voltages below 200 volts AC or above 250 volts AC could cause serious damage to the motor. I.E.C. Class 1.

WARNING

Electric motors can cause explosions when operated near explosive materials or vapors. Do not operate this machine near flammable materials such as solvents, thinners, fuels, grain dust, etc.

GROUNDING INSTRUCTIONS

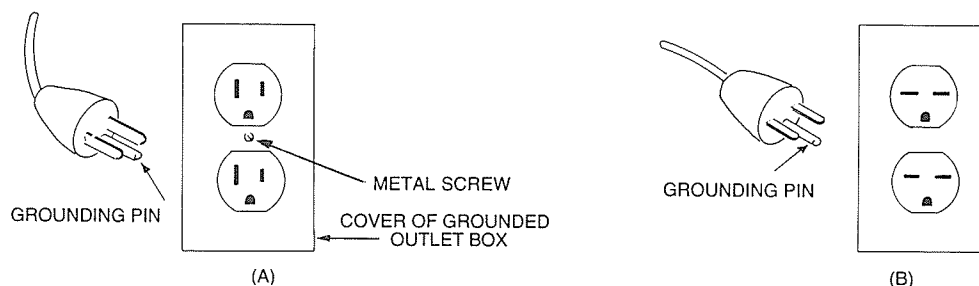
This appliance must be grounded. If it should malfunction or breakdown, grounding provides a path of least resistance for electric current to reduce the risk of electric shock. This appliance is equipped with a cord having an equipment-grounding conductor and grounding plug. This plug must be plugged into the Carpet Spotter Model C46200-00 or C46000-00 as shown on page 4 fig. 2. The power supply cord plug on Model C46200-00 and C46000-00 must be plugged into an appropriate outlet that is properly installed and grounded in accordance with all local codes and ordinances. See grounding instructions below for Model C46200-00 and C46000-00.

DANGER - Improper connection of the equipment-grounding conductor can result in a risk of electric shock. Check with a qualified electrician or service person if you are in doubt as to whether the outlet is properly grounded. Do not modify the plug provided with the appliance — if it will not fit the outlet, have a proper outlet installed by a qualified electrician.

GROUNDING INSTRUCTIONS

(for Model C46200-00 Carpet Spotter and C46000-00 Ambassador)

This appliance is for use on a nominal 120-volt circuit and has a grounding plug that looks like the plug illustrated in sketch A below. Make sure that the appliance is connected to an outlet having the same configuration as the plug. No adapter should be used with this appliance.



USER MAINTENANCE INSTRUCTIONS

All service and repair should be performed by qualified vacuum service representative or electrician. No user serviceable components are employed in the electrical assembly. No lubrication of the motor is required.

DAILY MAINTENANCE

1. The powerhead should be cleaned daily. Flush pumping system with 1 gallon of clean water after use.
2. Check and clean vacuum inlet and solution inlet daily.
3. Brushes should be cleaned after each use.
4. Spray jet should be checked for correct spray pattern and cleaned if plugged. Do not clean out spray tip with pins or wire, this may cause damage to the jet spray pattern and cause streaking.
5. Protect equipment from freezing. Severe pumping system damage can occur if allowed to freeze.
6. Inspect vacuum hoses for tight connections. Check electrical cable for abrasion or cuts in jacket. Cord should be replaced if worn or damaged.

MONTHLY/BI-MONTHLY MAINTENANCE

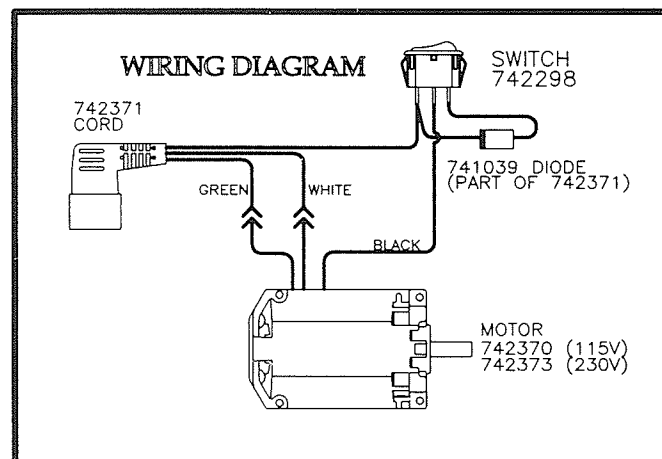
The Solution Pump System should be purged monthly to remove alkaline residue build-up. To flush system out, use 1 quart of white vinegar to 1 1/2 gallons of clean hot water, followed by a clear 1 1/2 gallon rinse. Clean spray jets if required.

CORD STORAGE

While not in use storage can be accomplished by winding cord around machine. Cord hooks are provided.

- Do not use with damaged cord or plug. If appliance is not working as it should, has been dropped, damaged, left outdoors, or dropped into water, return to service center.
- Do not pull or carry by cord, use cord as handle, close a door on cord, or pull cord around sharp edges or corners. Do not run appliance over cord. Keep cord away from heated surfaces.
- Do not unplug by pulling cord. To unplug, grasp the plug, not the cord.
- Do not handle plug or appliance with wet hands.

This equipment should be stored indoors and not exposed to rain.



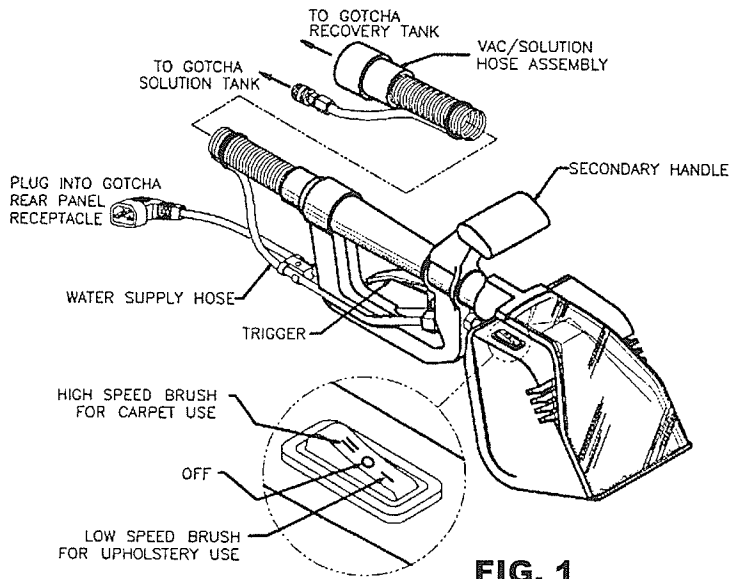


FIG. 1

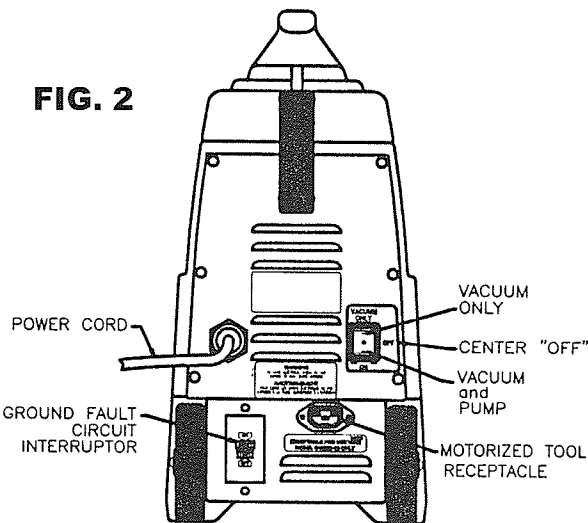


FIG. 2

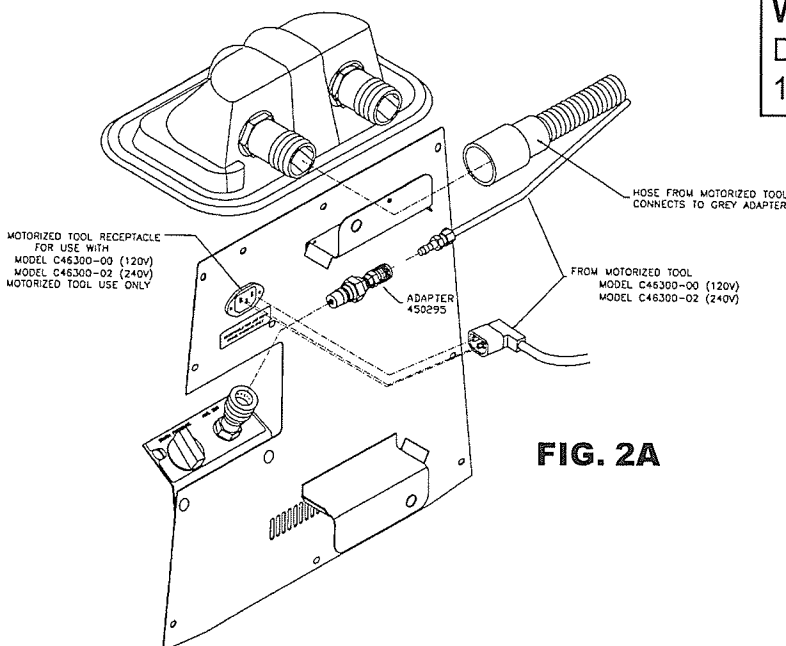


FIG. 2A

OPERATING INSTRUCTIONS

1. Follow the operating instructions as described in the "Gotcha!" (or the Ambassador) Parts and Instruction Manual.
2. Connect the vac/solution hose assembly to the "Gotcha!" (see fig. 1) or the Ambassador (see fig. 2A).
3. Plug power cord into the receptacle located at the lower back portion of the machine. (see fig. 2 and fig. 2A).
4. For the brush and spray to operate, the switch on the "Gotcha!" (see fig. 2) must be on the double bar position (vac & pump) or the Ambassador "pump aux" switch must be on.
5. This tool is equipped with a 3-position power switch. The single bar position is for "low" speed. The center position is "off". Double bar position for "high" speed (see fig.1)
6. Minuteman recommends using the "stiff" bristled brush for carpet and the "soft" bristled brush for upholstery. See fig. 5 for brush replacement instructions.

WARNING:
DO NOT USE WITH THE
100 PSI MACHINE.

EXTENSION WAND INSTALLATION

1. Detach power cord from the trigger guard and the cable clip.
2. Disengage powerhead from handle assembly by depressing the burgundy locking button and disconnecting coupling 1. (see fig. 3).
3. Insert the stainless steel extension wand curved end, (see fig. 4) into the powerhead assembly until the locking button is engaged. Connect coupling 2 to the hose assembly on the powerhead.
4. At the other end of the extension wand, (fig. 4) insert the handle assembly to the flared end until the locking button is engaged. Connect coupling 1 from handle assembly to the hose assembly on the extension wand.
5. Reposition the power cord to the trigger guard and secure it to the cable clip.

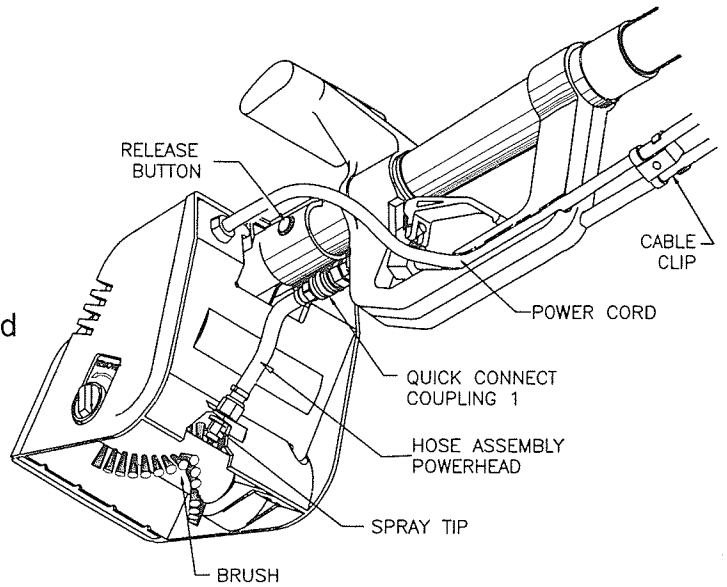


FIG. 3

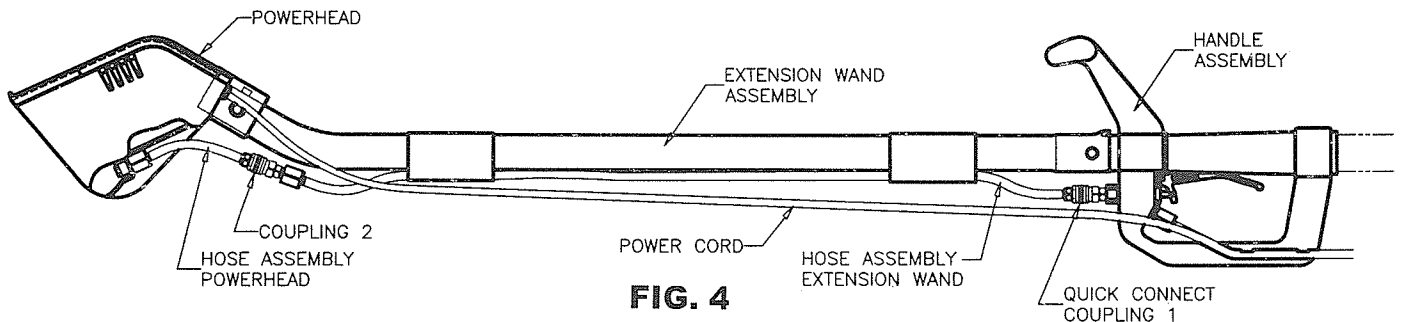


FIG. 4

BRUSH REPLACEMENT

Before reinstalling the brush, make sure that the drive lugs on the pulley are oriented as shown. Align notches on brush to engage with lugs on pulley. Position brush to reinstall brush shaft.

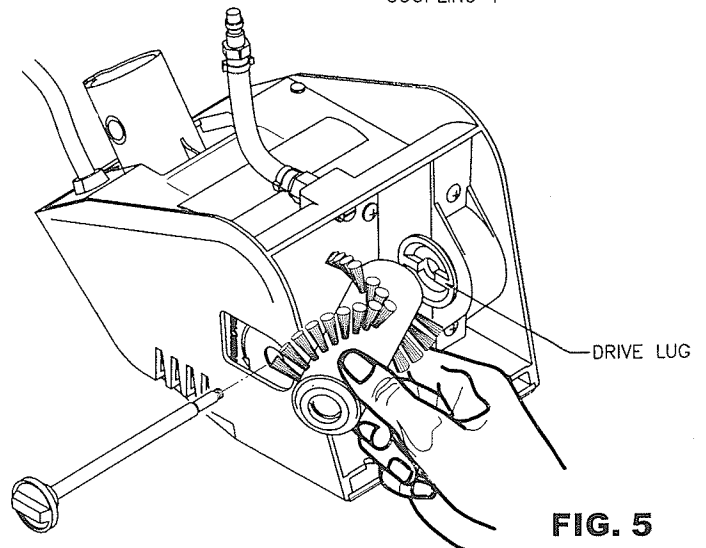
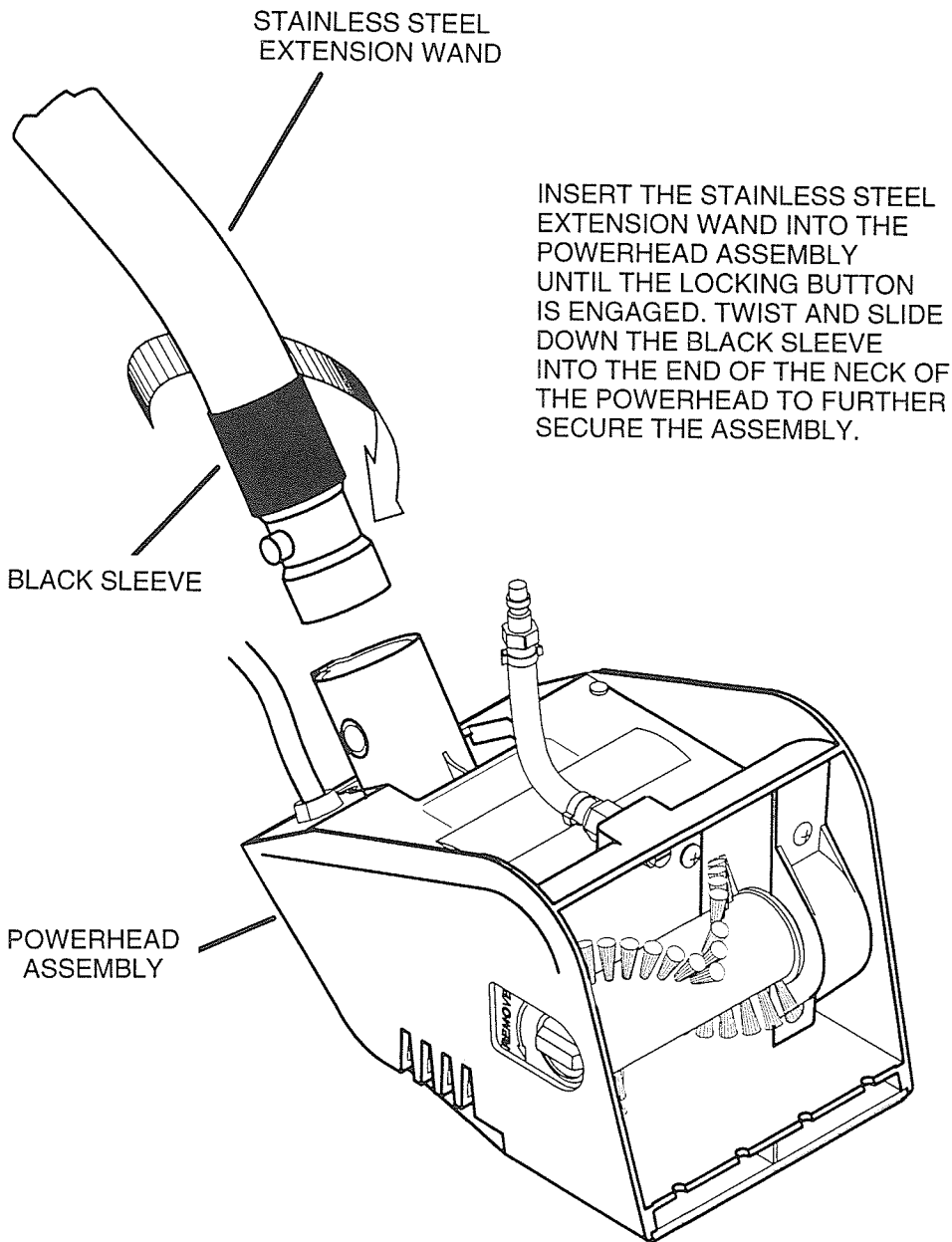
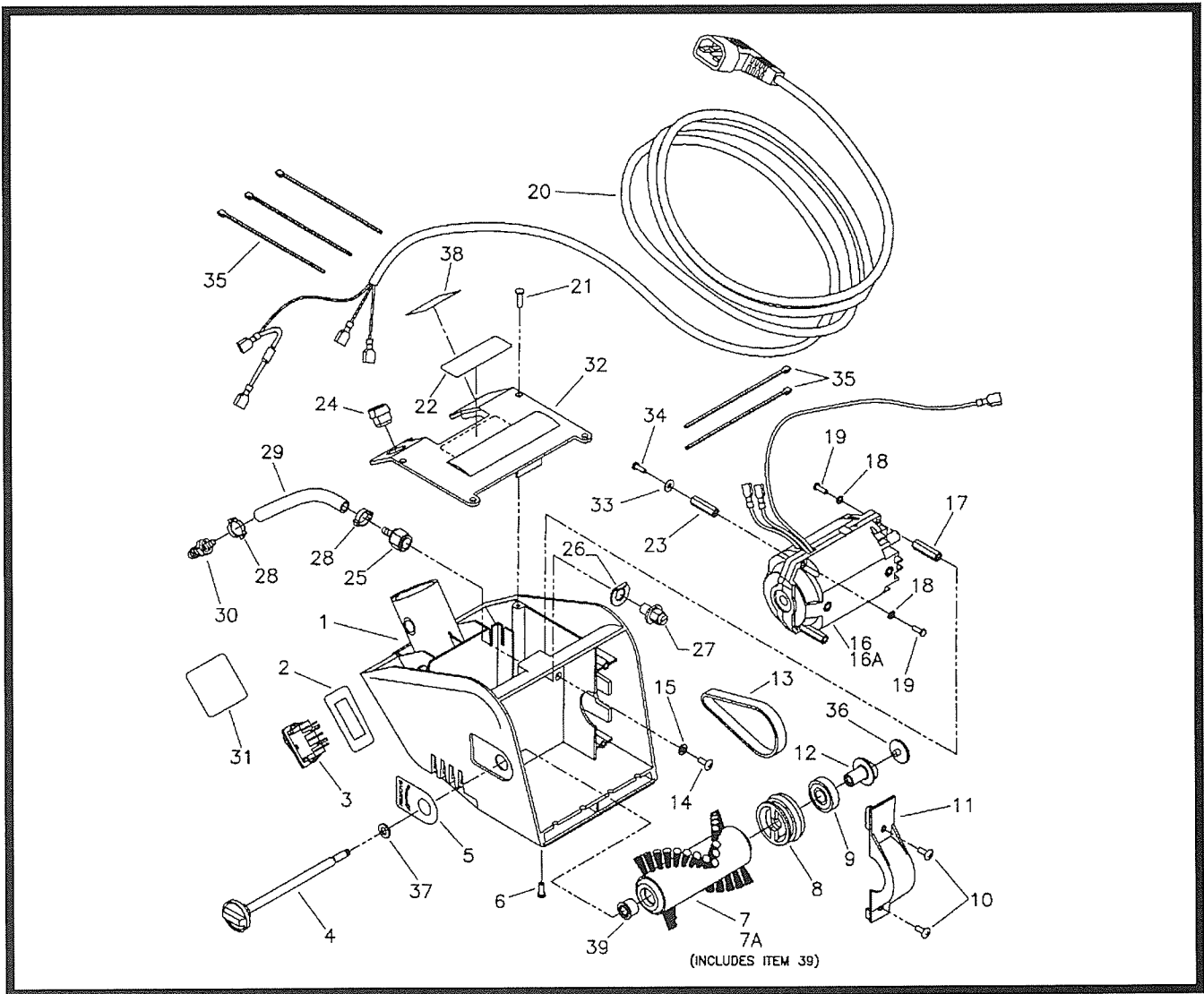


FIG. 5

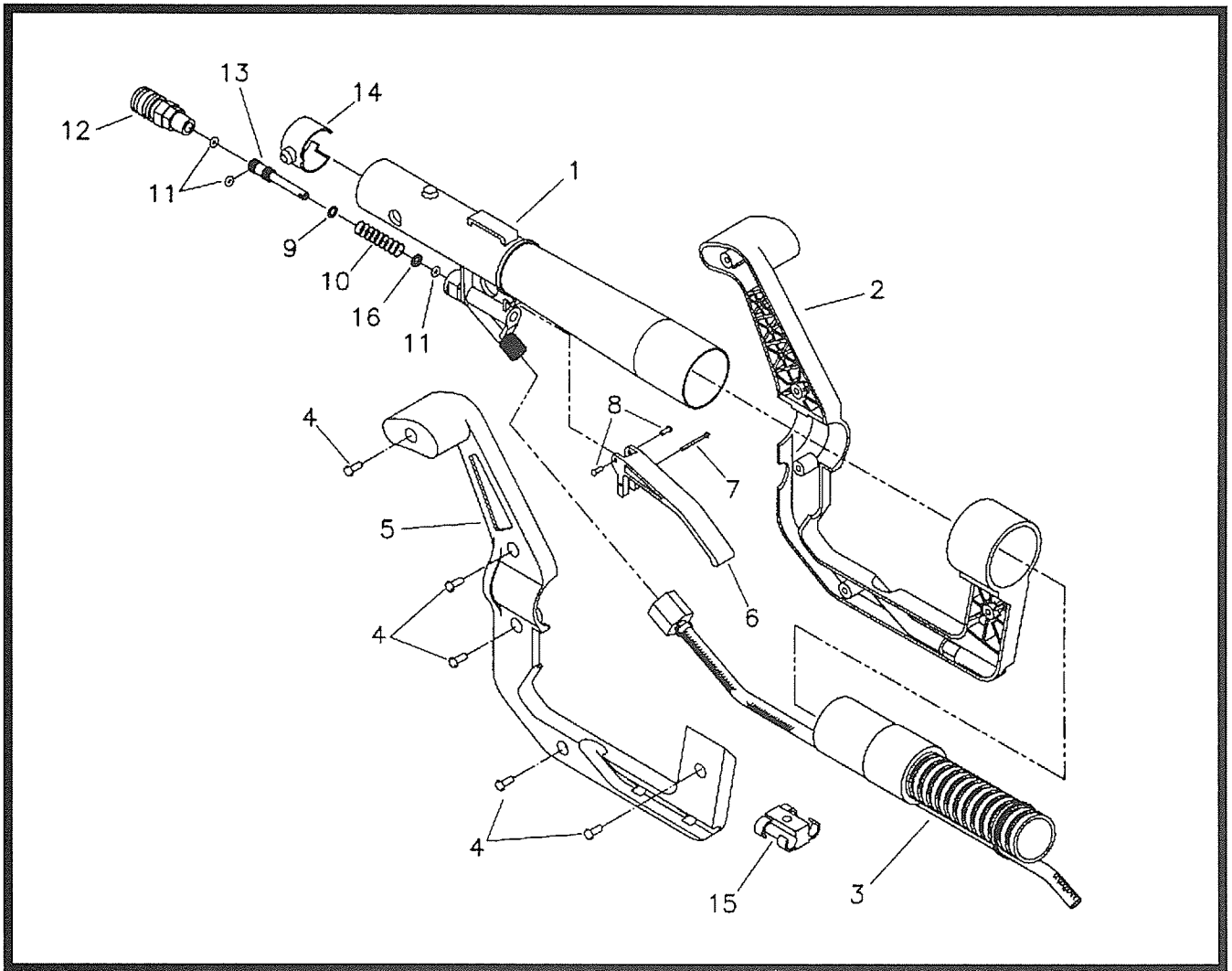


INSERT THE STAINLESS STEEL
EXTENSION WAND INTO THE
POWERHEAD ASSEMBLY
UNTIL THE LOCKING BUTTON
IS ENGAGED. TWIST AND SLIDE
DOWN THE BLACK SLEEVE
INTO THE END OF THE NECK OF
THE POWERHEAD TO FURTHER
SECURE THE ASSEMBLY.



Parts Listing

| ITEM | PART NO | QTY | DESCRIPTION | ITEM | PART NO | QTY | DESCRIPTION |
|------|---------|-----|----------------------------|------|-----------|-----|--------------------------|
| 1 | 450260 | 1 | Powerhead Assembly | 20 | 742371 | 1 | Cord Assembly |
| 2 | 715339 | 1 | Decal, Switch | 21 | 711157 | 6 | SCR-Hi/Lo #7-19 x 1/2 |
| 3 | 742298 | 1 | Switch, 3-Position | 22 | 715338 | 1 | Decal, Service Warning |
| 4 | 450274 | 1 | Knob Assembly | 23 | 450293 | 1 | Standoff-Nylon |
| 5 | 715336 | 1 | Decal, Brush Removal | 24 | 380032 | 1 | Strain Relief |
| 6 | 711158 | 2 | SCR-Hi/Lo #7-19 x 3/8 | 25 | 450223 | 1 | 1/8 Barb x 1/8 FPT Brass |
| 7 | 450287 | 1 | Brush Assembly, Carpet | 26 | 450294 | 1 | WSR-Special |
| 7A | 450288 | 1 | Brush Assembly, Upholstery | 27 | 450278 | 1 | VeeJet Spray Nozzle |
| 8 | 450273 | 1 | Pulley | 28 | 830082 | 2 | Hose Clamp 3/8 |
| 9 | 850042 | 1 | Bearing 6000 Sealed | 29 | 450282 | 1 | Hose, Powerhead |
| 10 | 711163 | 2 | SCR-Hi/Lo #10-16 x 1/2 | 30 | 450279 | 1 | Quick Connect Nipple 1/8 |
| 11 | 450264 | 1 | Belt Cover | 31 | 715337 | 1 | Decal, Warning |
| 12 | 450269 | 1 | Brushing Shaft Support | 32 | 450263 | 1 | Back Cover |
| 13 | 450276 | 1 | Flat Belt | 33 | 711597 | 1 | WSR-Nylon Flat #6 x 3/8 |
| 14 | 712822 | 2 | SCR-MC #10-24 x 1/2 SS | 34 | 712068 | 1 | SCR-Nylon BH #6-32 x 3/8 |
| 15 | 712764 | 2 | WSR-Flat #10 SS | 35 | 740099 | 5 | Wire Tie Small |
| 16 | 742370 | 1 | Motor Assembly 120V | 36 | 450290MCH | 1 | Snap-In Fastener |
| 16A | 742373 | 1 | Motor Assembly 230V | 37 | 711530 | 1 | Thrust Bearing |
| 17 | 450285 | 2 | Standoff | 38 | 715342 | 1 | Decal - Warning |
| 18 | 711551 | 3 | WSR-Internal Lock #6 | 39 | 450277 | 2 | Press Bearing |
| 19 | 710305 | 3 | SCR-MC #6-32 x 3/4 ST | | | | |



Parts Listing

| ITEM | PART NO | QTY | DESCRIPTION |
|------|---------|-----|--------------------------------|
| 1 | 450256 | 1 | Pick-up Tube |
| 2 | 450258 | 1 | Trigger Guard, Right |
| 3 | 450249 | 1 | Spotter Hose Assembly Complete |
| 4 | 711163 | 5 | SCR-Hi/Lo #10-16 x 1/2 |
| 5 | 450257 | 1 | Trigger Guard, Left |
| 6 | 390053 | 1 | Trigger Solution Valve |
| 7 | 711803 | 1 | Cotter Pin .06 x .75 |
| 8 | 390063 | 2 | Grove Stud Rd. Hd. #2427 |
| 9 | 712323 | 1 | WSR-Flat .195 x .281 x .03 SS |
| 10 | 450267 | 1 | Spring Valve SS |
| 11 | 450265 | 3 | O-Ring, Brown |
| 12 | 450221 | 1 | Quick Connect Coupler |
| 13 | 450261 | 1 | Brass Valve Stem |
| 14 | 450262 | 1 | Locking Button |
| 15 | 833725 | 1 | Cord Clip |

LIMITED WARRANTY

Minuteman International, Inc. warrants to the original purchaser/user that this product is free from defects in workmanship and materials under normal use and service for a period of one year from date of purchase. In addition, Minuteman International, Inc. will, at its option, honor labor warranty claims for the first 12 months from date of sale, provided such claims are submitted through and approved by factory authorized repair stations. Minuteman International, Inc. will, at its option, repair or replace without charge, except for transportation costs, parts that fail under normal use and service when operated and maintained in accordance with the applicable operation and instruction manuals.

This warranty does not apply to normal wear, or to items whose life is dependent on their use and care, such as belts, cords, switches, hoses, rubber parts, electrical motor components or adjustments. Parts not manufactured by Minuteman International, Inc. such as engines, batteries, battery chargers, hydraulic pumps, and tires are covered by and subject to the warranties and/or guarantees of their manufacturers. Please contact Minuteman International, Inc. for procedures in warranty claims against these manufacturers.

Special warning to purchaser — Use of replacement filters and/or prefilters not manufactured by Minuteman International, Inc. or its designated licensees, will void all warranties expressed or implied.

A potential health hazard exists without exact original equipment replacement.

All warranted items become the sole property of Minuteman International, Inc. or its original manufacturer, whichever the case may be.

Minuteman International, Inc. disclaims any implied warranty, including the warranty of merchantability and the warranty of fitness for a particular purpose. Minuteman International, Inc. assumes no responsibility for any special, incidental or consequential damages.

This limited warranty is applicable only in the U.S.A. and Canada, and is extended only to the original user/purchaser of this product. Customers outside the U.S.A. and Canada should contact their local distributor for export warranty policies. Minuteman International, Inc. is not responsible for costs or repairs performed by persons other than those specifically authorized by Minuteman International, Inc. This warranty does not apply to damage from transportation, alterations by unauthorized persons, misuse or abuse of the equipment, use of non-compatible chemicals, or damage to property, or loss of income due to malfunctions of the product.

If a difficulty develops with this machine, you should contact the dealer from whom it was purchased.

This warranty gives you specific legal rights, and you may have other rights which vary from state to state. Some states do not allow the exclusion or limitation of special, incidental or consequential damages, or limitations on how long an implied warranty lasts, so the above exclusions and limitations may not apply to you.

Minuteman[®]

World Headquarters

Minuteman International, Inc.
111 South Rohlwing Road
Addison, Illinois 60101

(630) 627-6900
FAX (630) 627-1130

Minuteman Canada, Inc.

2210 Drew Road
Mississauga, Ontario
L5S 1B1

(905) 673-3222
FAX (905) 673-5161

988612
Printed in U.S.A.