



## Electronic Service Manuals

This electronic document is provided as a service to our customers. We do not create the contents of the information contained in this document. Should you have detailed questions pertaining to the information contained in this document, you may contact Michco, or the manufacturer which provided the original information in this electronic deliverable. Michco's only part in this electronic deliverable was the electronic assembly process.

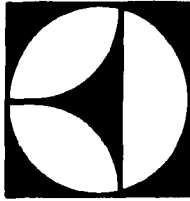
You may contact Michco through the following methods:  
Phone (517) 484-9312 or (800) 331-3339 MI, OH, IN only  
2011 N. High St. -- Lansing, Michigan -- 48906  
Fax: (517) 484-9836  
Email: [CustServ@Michco.com](mailto:CustServ@Michco.com)  
Web site: [www.Michco.Com](http://www.Michco.Com)  
Parts Web site: [www.FloorMachineParts.Com](http://www.FloorMachineParts.Com)

Order Parts on Line at:  
**[www.FloorMachineParts.Com](http://www.FloorMachineParts.Com)**

Directly to Parts & Service:  
By Email: **[Shop@Michco.com](mailto:Shop@Michco.com)**  
By Fax: (517) 702-2041  
By Voice: Use numbers above.

**Serving the Cleaning Industry Since 1922**

Notice: All copyrighted material remains property of original owners, all trademarks are property of respective owners. Manuals are subject to Manufacturer's reproduction limitations. Originals or reproductions were provided by manufacturers through a request. We make no warranty as to the correctness of information provided in this document and you assume all risk.



# KENT

MODELS

**KT-708HS & KT-708HP**

**DRY USE ONLY**

**KT-709HS & KT-709HP**

**WET/DRY**

**HEPA Filter Vacuums**



## **OPERATING, MAINTENANCE INSTRUCTIONS & ILLUSTRATED PARTS LIST**

OCTOBER 1987

Write the model and serial number of your unit in the space provided. Refer to the rating plate on unit.

Model # \_\_\_\_\_

Serial # \_\_\_\_\_

Retain this owner's guide for future reference.

**THE KENT COMPANY**

P.O. Box 1665

2310 Industrial Parkway

Elkhart, IN 46515 (219)293-8661

## GENERAL INFORMATION

BEFORE YOU PLUG IN YOUR SWEEPER, check the voltage rating plate located on the inside of handle to see if it agrees within 10% of the voltage available. Connect only to a grounded (3-wire) electrical outlet. The vacuum motors in your new sweeper are permanently lubricated and sealed. Do not oil the vacuum motors at any time.

## SERVICE INFORMATION

To obtain consistent performance from your vacuum, read through these instructions and keep them handy for future reference. If you need service contact the dealer from whom you purchased your vacuum, or the local authorized Kent Service Station. Always refer to your Kent Limited Warranty for complete service information.

The model, type and serial number are indicated on the rating plate. For prompt and complete service information, always refer to these numbers when inquiring about service.

THE KENT CO.		
ELKHART INDIANA USA		
SERIAL NO	MODEL	
VOLTS	PHASE	Hz
MOTOR 1	A.M.P.	H.P.
MOTOR 2	A.M.P.	H.P.

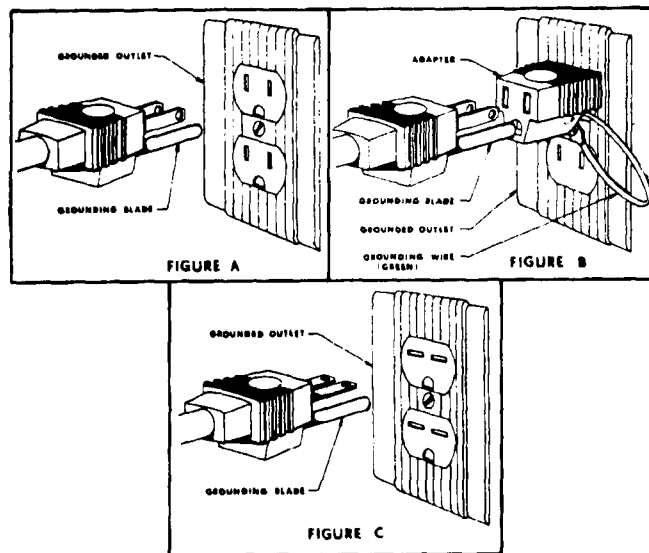
We have found that following these step-by-step procedures results in longer machine life and fewer major service problems. We urge that these procedures be POSTED and carefully followed.

## GROUNDING INSTRUCTIONS

This machine should be grounded while in use to protect the operator from electrical shock. The machine is equipped with a suitable 3-conductor cord and a 3-prong grounding type receptacle. The green (or green and yellow) conductor in the cord is the grounding wire. Never connect the green (or green and yellow) wire to a live terminal. ■ If your unit is for use on less than 150 volts, it has a plug that looks like Figure A. ■ If it is for use on 150 to 250 volts, it has a plug that looks like Figure C. An adapter, Figure B, is available for connecting Figure A plugs to 2 prong receptacles. The green (or green and yellow) grounding wire extending from the adapter must be connected to a permanent ground such as to a properly grounded outlet box. No adapter is available for Figure C plugs.

Use only three-wire extension cords which have 3-prong grounding-type plugs and three-prong receptacles that accept the appliance's plug. Replace or repair damaged cords.

**BE SAFE - AVOID POSSIBLE HAZARDS**



## SAFETY RECOMENDATIONS

Accidents due to misuse can only be prevented by those using the machine. To guard against injury, basic safety precautions should be observed. Read and follow all safety instructions, including the following:

### WARNING - TO AVOID ELECTRICAL SHOCK USE INDOORS ONLY

The **KT-708HS** and **KT-708HP** Tank Vac is designe for **dry pickup only**.

The **KT-709HS** and **KT-709HP** Tank Vac is designed for **wet or dry pickup**.

- Should damage occur to electrical or mechanical parts, cleaner and/or accessory should be repaired by manufacturer or competent service station before using in order to avoid further damage to machine or physical injury to user.
- A damaged power cord could cause electrical shock and/or fire. To minimize this possibility, observe the following precautions:
  - Do not run cleaner over power cord.
  - Avoid closing doors on power cord, pulling it around sharp edges, or placing sharp-edged objects upon it.
  - Wind cord no tighter than is necessary to retain it. Refer to Owner's Guide.
  - When disconnecting power cord from electrical outlet, grasp the plug. Pulling it out by the cord itself can damage cord insulation and internal connections to plug. Also, avoid damage to insulation by keeping cord away from oil and heat.
  - Your vacuum cleaner creates suction. To avoid bodily injury from suction, vacuum cleaner brush, hose,

wands, and attachments should not be placed against, or in close proximity to loose clothing, jewelry, hair, or body surfaces while cleaner is connected to electrical outlet. Cleaner should not be used to vacuum clothing while being worn.

- Whenever possible, plug your cleaner into a standard wall outlet. Use of extension cord or light socket with inadequate current-carrying capacity could result in electric shock or fire hazard.

- When using your cleaner to vacuum another electrical appliance, such as removing lint from a clothes dryer, be sure to disconnect the appliance being vacuumed from the electrical outlet in order to minimize chances for electrical shock.

- To avoid electrical shock hazard, always plug your cleaner into a 3-prong grounding-type receptacle, your cleaner is provided with grounded electrical system (3-prong grounding-type plug).

- Disconnect cleaner from electrical outlet before servicing, such as changing bags, etc. You could receive bodily injury from moving parts of machine should switch accidentally be turned on.

- Do not use your sweeper in areas where flammable and/or explosive vapor or dust is present to avoid possibility of fire or explosion. Some cleaning fluids can produce such vapors.

- Areas on which cleaning fluids have been used should be completely dry and thoroughly aired before being vacuumed. Attachments such as demoters and paint sprayers can cause toxic, flammable, explosive, or suffocating vapors in indoor areas. Use only attachments recommended by manufacturer of your vacuum cleaner.

- Do not pick up matches, fireplace ashes, or smoking material with sweeper, as possible fire hazard may result.

- Switch sweeper off before removing power cord from electrical outlets. Keep your work area well lighted to avoid picking up harmful materials (such as flammable liquids, sharp objects, or burning substances) and/or tripping accidents.

- Use care when operating the cleaner on irregular surfaces such as stairs. A falling cleaner could cause bodily injury and/or mechanical damage. Proper storage of machine in an out-of-the-way area immediately after use will also prevent accident caused by tripping over cleaner.

- Store your vacuum cleaner indoors in a cool, dry area not exposed to the weather to avoid electrical shock and/or cleaner damage.

- Exercise strict supervision to prevent injury when using vacuum cleaner near children or when child is allowed to operate vacuum cleaner. Do not allow children to play with vacuum cleaner and never leave cleaner plugged in and unattended.

## **ASSEMBLY INSTRUCTIONS KT-708HS AND 708HP TANK VAC FOR DRY USE ONLY**

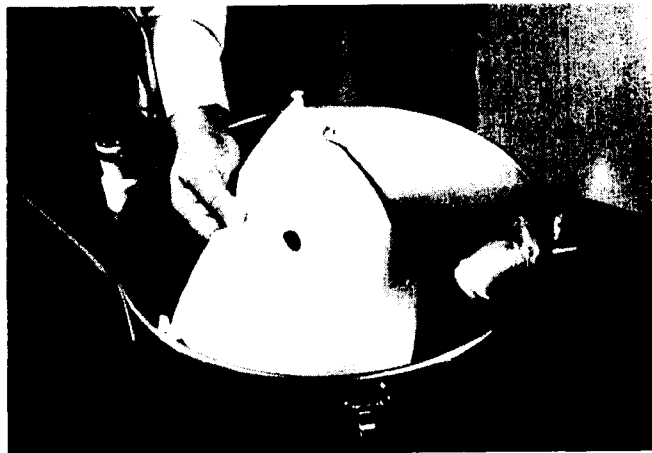
After unpacking the shipping carton, carefully inspect all components to insure that there is no concealed freight damage. If such damage is discovered, file a concealed freight damage report immediately with your delivering carrier.

### **INSTRUCTIONS FOR DRY USE ONLY**

The dry model is assembled and ready for dry use.

For dry use, the following procedure is required:

- A. Release mounting clamps and lift motor head from recovery tank assembly.
- B. Carefully set aside motor head and protect from damage.
- C. Attach enclosed disposable paper bag over flanged elbow.

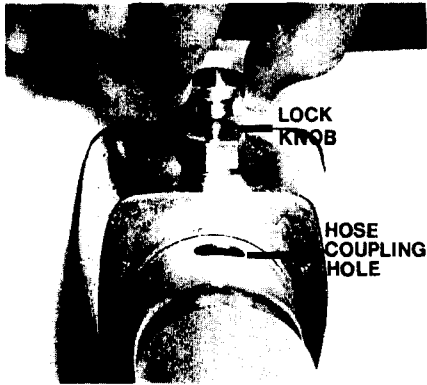


- D. Place the mitten flannel filter assembly into the tank over the paper bag.
- E. Install the motor head on the tank and fasten the clamps.

### **CONNECT HOSE TO CLEANER**

Grasp hose with finger and lift lock knob to top of suction opening. Align hose in hose coupling with lock knob. Insert hose all the way into opening until it stops, then release lock knob so hose is locked into position. If lock

knob fails to fall into place to secure hose, twist hose coupling until lock knob snaps down into place. (To remove hose, lift up lock knob and pull out hose.)



Attach the operator's handle and appropriate dry tool, and the vacuum is ready for dry pickup.

## CHANGING DISPOSABLE PAPER BAG

- A. Release mounting clamps and lift motor head from recovery tank assembly.
- B. Carefully set aside motor head and protect from damage.
- C. Remove the mitten flannel filter assembly and shake out dust.
- D. Remove disposable paper bag, carefully discarding it, replace with a new disposable paper bag (P/N 11-1540).
- E. Place the mitten flannel filter into the tank over the paper bag.
- F. Install the motor head on the tank and fasten the clamps.

## ASSEMBLY INSTRUCTIONS KT-709HS AND KT-709HP FOR WET OR DRY USE

After unpacking the shipping carton, carefully inspect all components to insure that there is no concealed freight damage. If such damage is discovered, file a concealed freight damage report immediately with your delivering carrier.

### INSTRUCTIONS FOR DRY USE

The wet/dry model is assembled and ready for wet and dry use. For dry use, the following procedure is required:

- A. Release mounting clamps and lift motor head from recovery tank assembly.
- B. Carefully set aside motor head and protect from damage.

C. Attach enclosed disposable paper bag over flanged elbow as shown.



D. Place the mitten flannel filter assembly into the tank over the paper bag.

E. Install the motor head on the tank and fasten the clamps.

### CONNECT HOSE TO CLEANER

Grasp hose with finger and lift lock knob to top of suction opening. Align hose in hose coupling with lock knob. Insert hose all the way into opening until it stops, then release lock knob so hose is locked into position. If lock knob fails to fall into place to secure hose, twist hose coupling until lock knob snaps down into place. (To remove hose, lift up lock knob and pull out hose.) Attach the operator's handle and appropriate dry tool and the vacuum is ready for dry pickup.

### INSTRUCTIONS FOR WET USE

- A. Release the mounting clamps and lift the motor head from the tank assembly.
- B. Remove the mitten flannel filter assembly.
- C. Take out the enclosed disposable paper filter.
- D. Replace the motor head, fastening the clamps securely.

Attach the operator's handle and the appropriate tool for wet pickup.

The filter bags must be removed and the wet shutoff assembly must be in the tank before you are ready for wet operation, otherwise machine and bags will be ruined by the dirty solution.

## WET SHUT-OFF SYSTEM

Your cleaner is equipped with a permanently installed wet shut-off system that operates automatically when the tank becomes full of liquid, foam or suds.

The system consists of a metal frame and a float ball. When the level of fluid or suds rises in the tank, the ball moves upward until it reaches the seal ring and shuts off all suction. You will know when the wet shut-off is engaged because you will be unable to pick up anything with the cleaner, and the sound of the motor will change.

When the wet shut-off becomes engaged, you must immediately turn off the machine, disconnect the power cord from the electrical outlet, and empty the tank. The cleaner will not operate until the tank has been emptied.

After the tank has been emptied, the wet shut-off will automatically disengage, and the cleaner will be ready for normal use.

**NOTE** - The wet shut-off assembly is permanently installed and should never be removed.

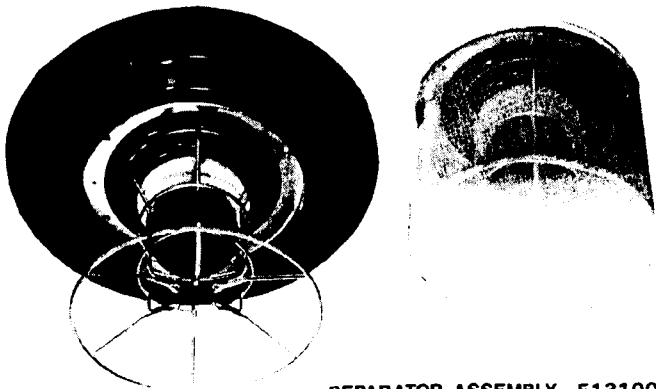
## TO CLEAN WET FILTER ASSEMBLY

**Note:** Disconnect power cord from electrical outlet.

The wet shut-off system located underneath the cleaner lid is covered by a permanently installed synthetic mesh filter bag which is designed to prevent suds from reaching the motor housing.

The wet filter assembly is permanently attached and should not be removed. The filter bag should be gently brushed or wiped clean. Always avoid getting moisture into the motor area either inside or outside the cleaner lid.

After cleaning and thoroughly drying the filter systems and the recovery tank, replace cover on top of cleaner with exhaust outlet positioned above hose opening and fasten clamps on each side of cleaner. Make sure that no part of the filter bag is caught between the cleaner tank and lid.



SEPARATOR ASSEMBLY- E13100

To obtain a replacement wet filter assembly, ask for Separator Assembly E13100

## CHANGING THE MICROSTAT FILTERS

In order to guarantee effective and efficient operation of your new Kent KT-708HS/HP and KT-709HS/HP filter system, the Microstat filters must be changed when necessary. (Every two to four weeks under heavy use is recommended.)

Remove the head assembly from the vacuum and place it on the floor in an inverted position.



Remove the three thumbnuts which retain the outer screen assembly. Remove the outer screen unit.

Take out the old filter and replace it with a new Kent Microstat filter. Cover the entire screen with the filter, pushing holes in the filter at the three (3) screws so that the screws protrude through the filter. Place the outer screen assembly over the filter, slipping the three (3) holes of the screen over the screws. Replace the three (3) thumb nuts, tighten to a firm position.

Replace the vacuum head on the tank, secure the clamps and the Kent vacuum is ready for operation.

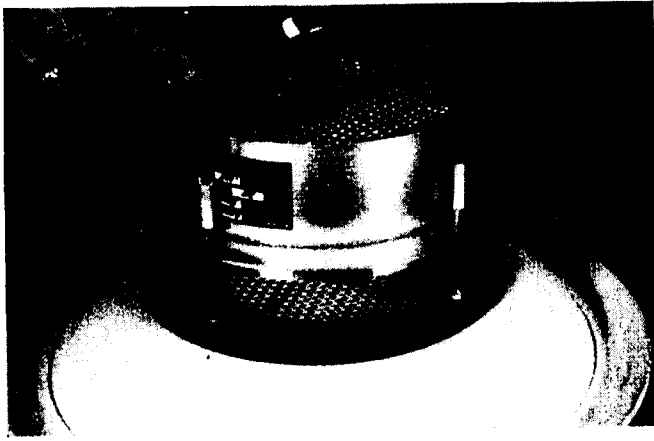
## CHANGING THE KENT HEPA FILTER

In order to guarantee effective and efficient operation of your new Kent KT-708HS, KT-708HP, KT-709HS and KT-709HP Tank Vac filter system, Kent HEPA filter must be changed when necessary (every 12 months under heavy use is recommended, or when noticeable loss of suction occurs).

**To change the Kent HEPA filter:**

A. Remove the four (4) wing nuts which retain the motor cover, the four (4) steel tubes and the HEPA filter. Remove the motor cover and four (4) steel tubes, take out the old filter and replace it with a new Kent HEPA filter (Part No. 40-4300).

B. Put the four (4) steel tubes over the Kent HEPA filter, put the motor cover over the four (4) steel tubes, tighten assembly firmly with the four (4) wing nuts.

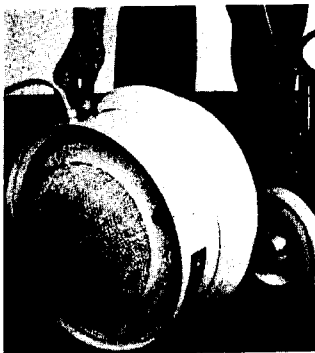


C. Replace the vacuum head on the tank, secure the clamps and the Kent Tank Vac is ready for operation.

## REGULAR MAINTENANCE PROCEDURES

(End of the day cleaning procedure)

- Wheel vacuum to disposal area of waste dumping which has been selected by the supervisor or executive housekeeper.
- Empty the recovery tank of liquids if you have used the machine for wet pickup. If it has been used for dry use, remove the mitten flannel filter assembly and shake out dust. This filter may also be vacuumed if clogged. Discard paper filter bag.
- Remove motor head from tank.
- Plug electrical cord into the nearest outlet.
- Lay motor head on its side, switch on and run until the lower layers of the filter are dry (approximately 5 minutes).



- Clean wet shutoff and tank assembly with water. Allow to dry.
- Use detergent germicide solution to clean:
  1. Interior of tank and hose outlet.
  2. All surfaces of the wet shutoff assembly.
  3. Exterior of the motor head.

- Reassemble unit after all components are cleaned. Clean pickup tool by dipping in a detergent germicide. Store hose with ends hanging down.

## MAINTENANCE OF MOTOR UNIT

Inspect the armature brushes after the first 400 hours of operation and frequently thereafter. They should be replaced when worn to  $\frac{3}{8}$ " in length, or risk damage to the armature, thus voiding the warranty. Always replace all brushes at the same time.

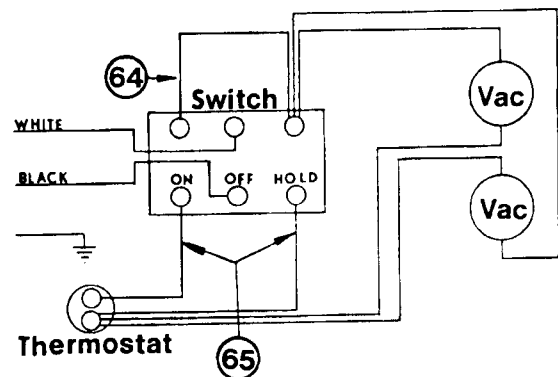
No other maintenance of the motors is required and none should be attempted during the first year of purchase.

## IF THE AIR MOVEMENT IS INTERRUPTED IN THE VACUUM

Check the dust filter to make sure it is clean. To see if the hose has been plugged, remove the hose from the machine and test suction at the machine intake. Sometimes a plugged tool is responsible, so also check the tools carefully.

Your vacuum is equipped with an automatic thermal protector switch for motor high temperature protection purposes. Should this switch shut motors down, remove blockage of air stream wherever it may be before restarting motors per instructions shown on label attached to machine cover beside switch.

## WIRING DIAGRAM



TANK VAC  
 KT-708HS  
 KT-708HP  
 HEAD ASSEMBLY

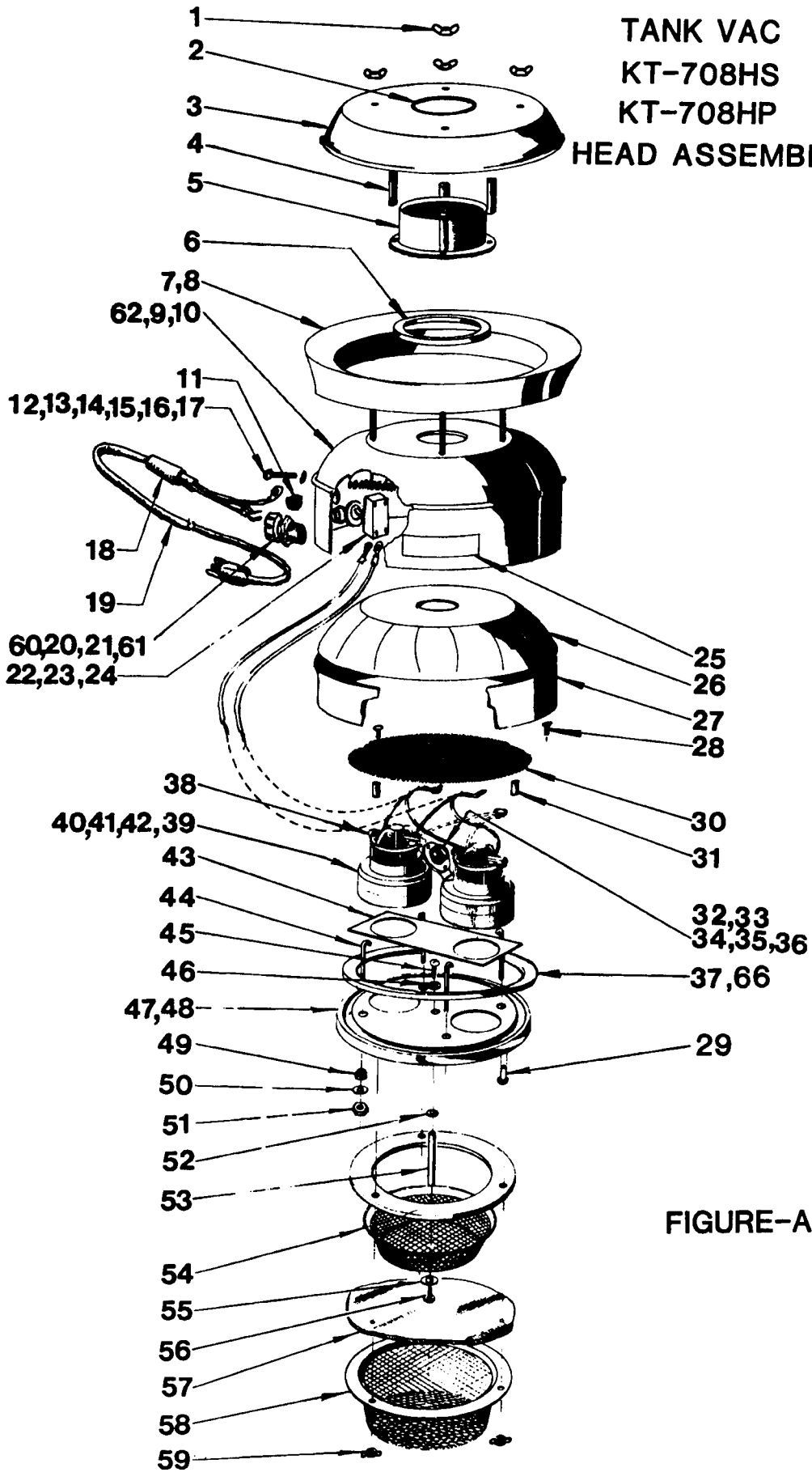


FIGURE-A

TANK VAC  
HEAD ASSEMBLY  
KT-709HS & KT-709HP

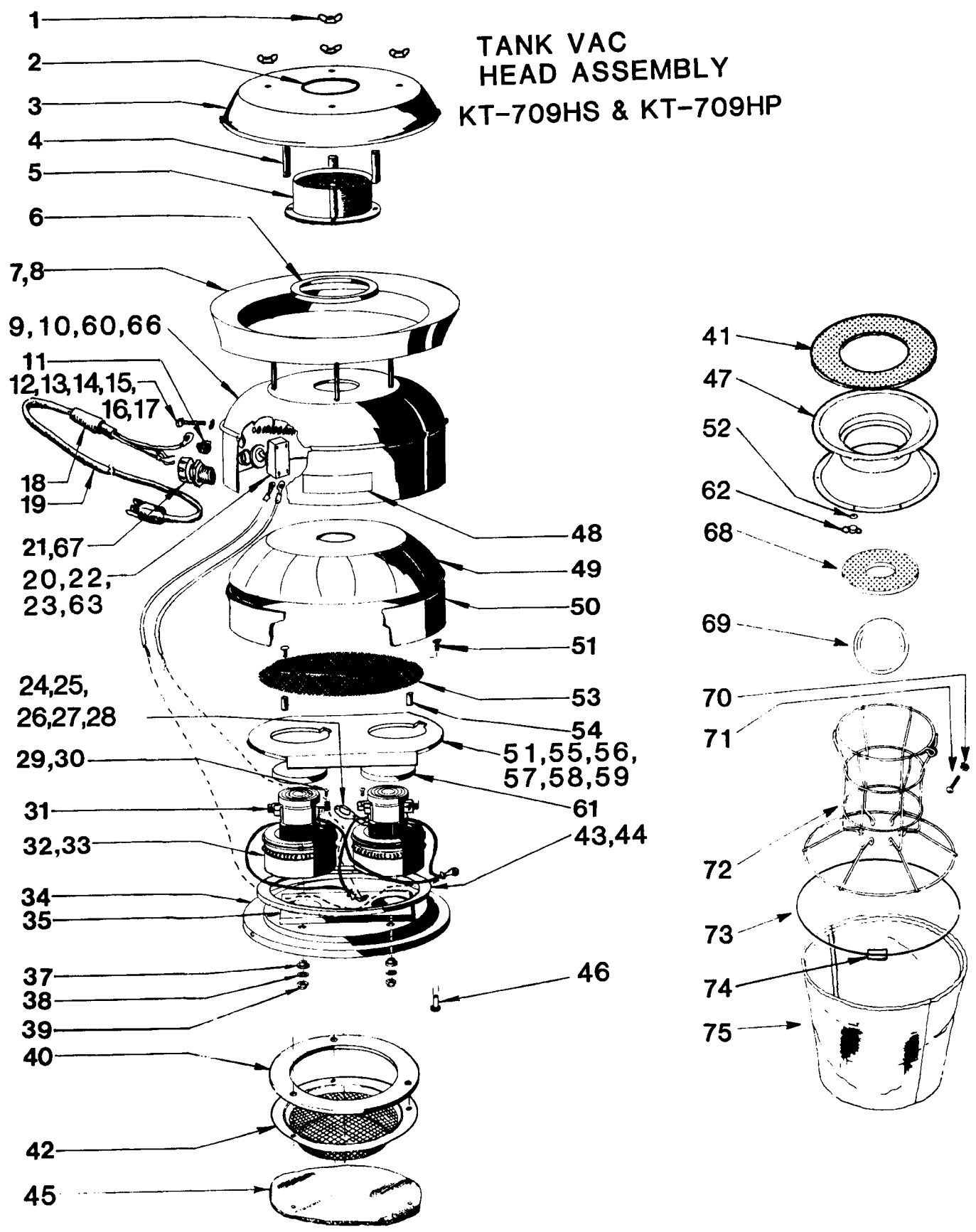


FIGURE-B

# KT-708HS TANK ASSEMBLY

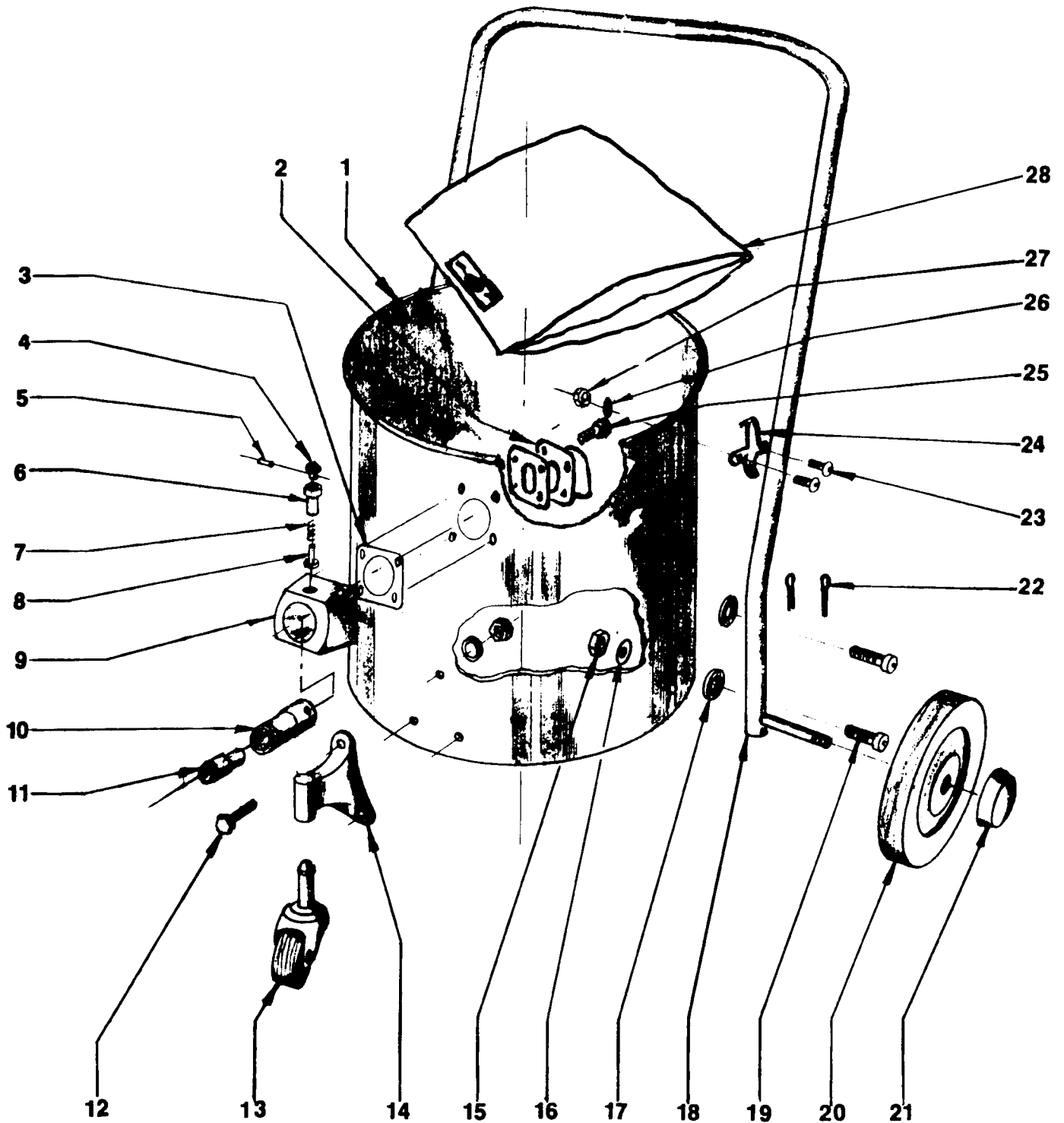
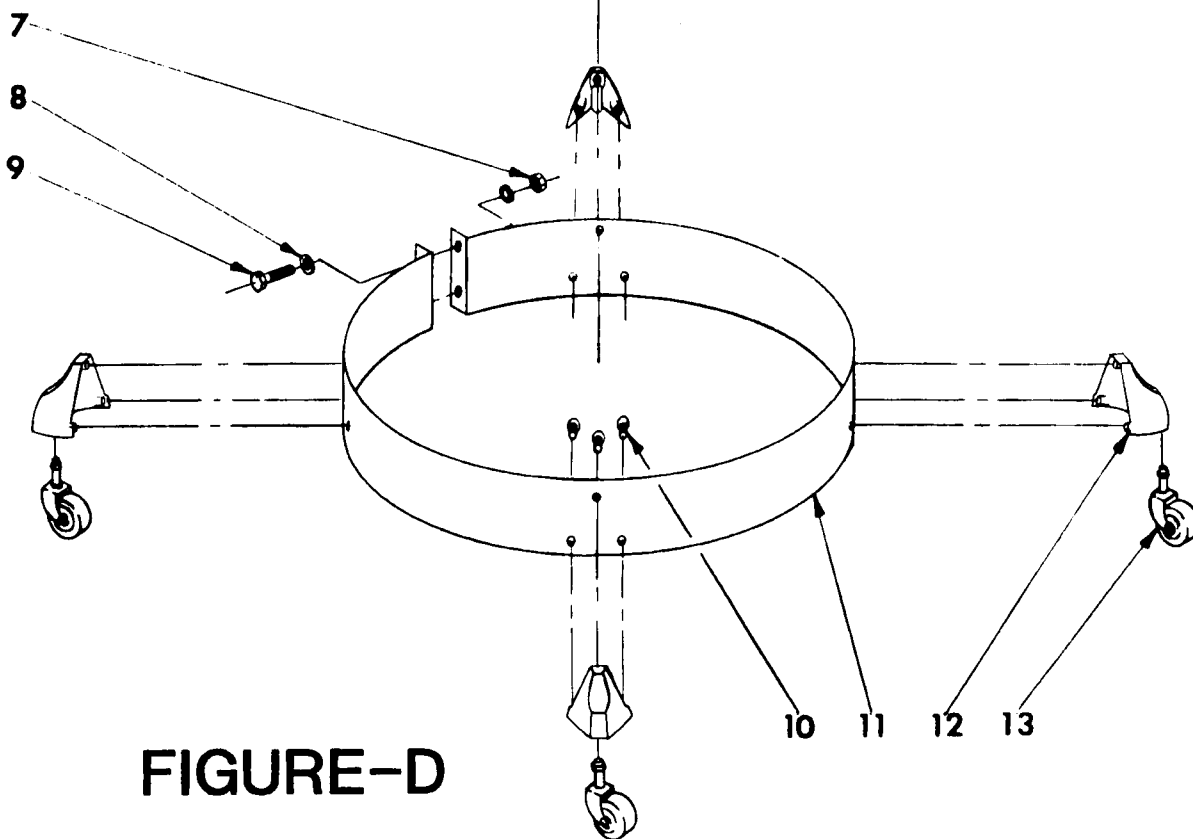
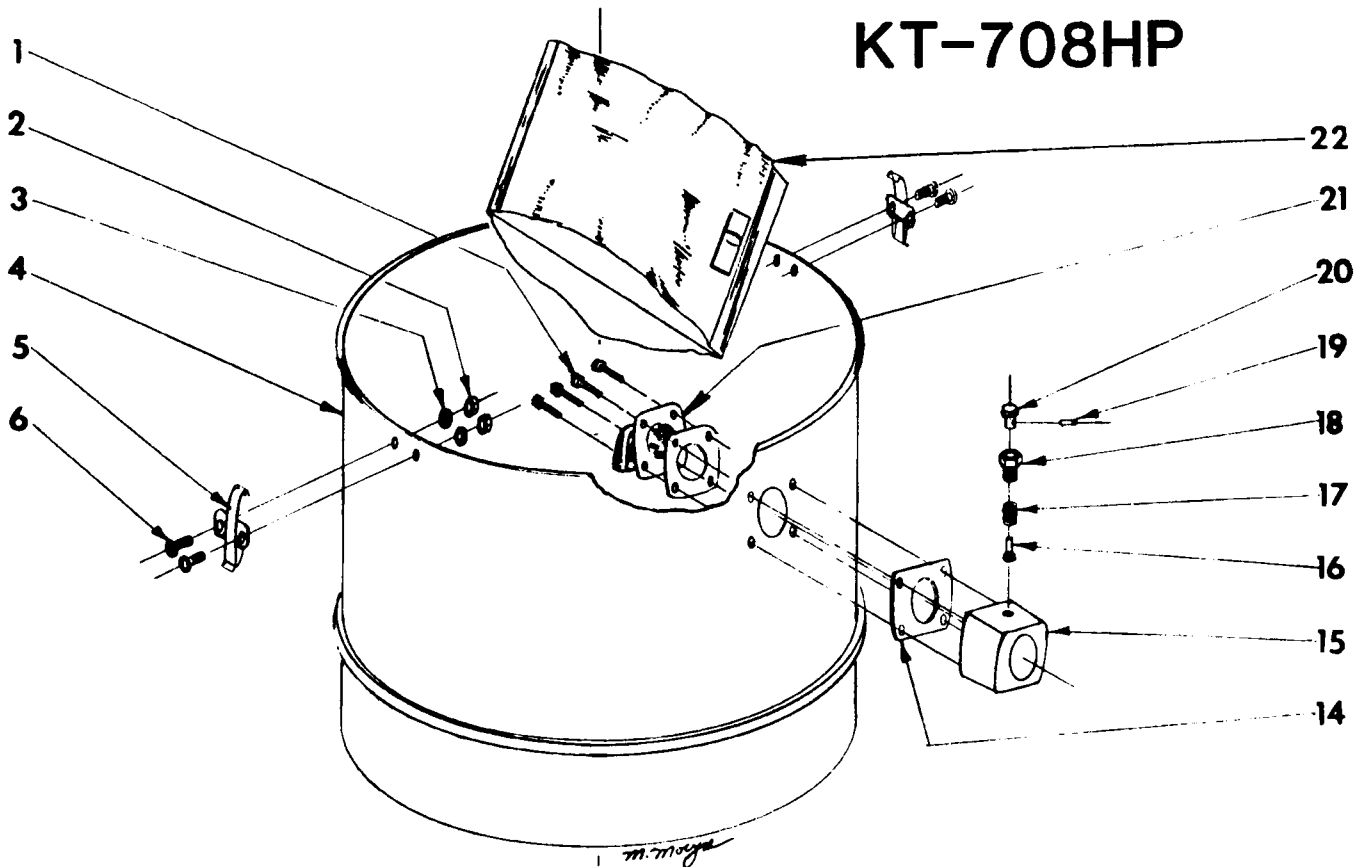


FIGURE-C

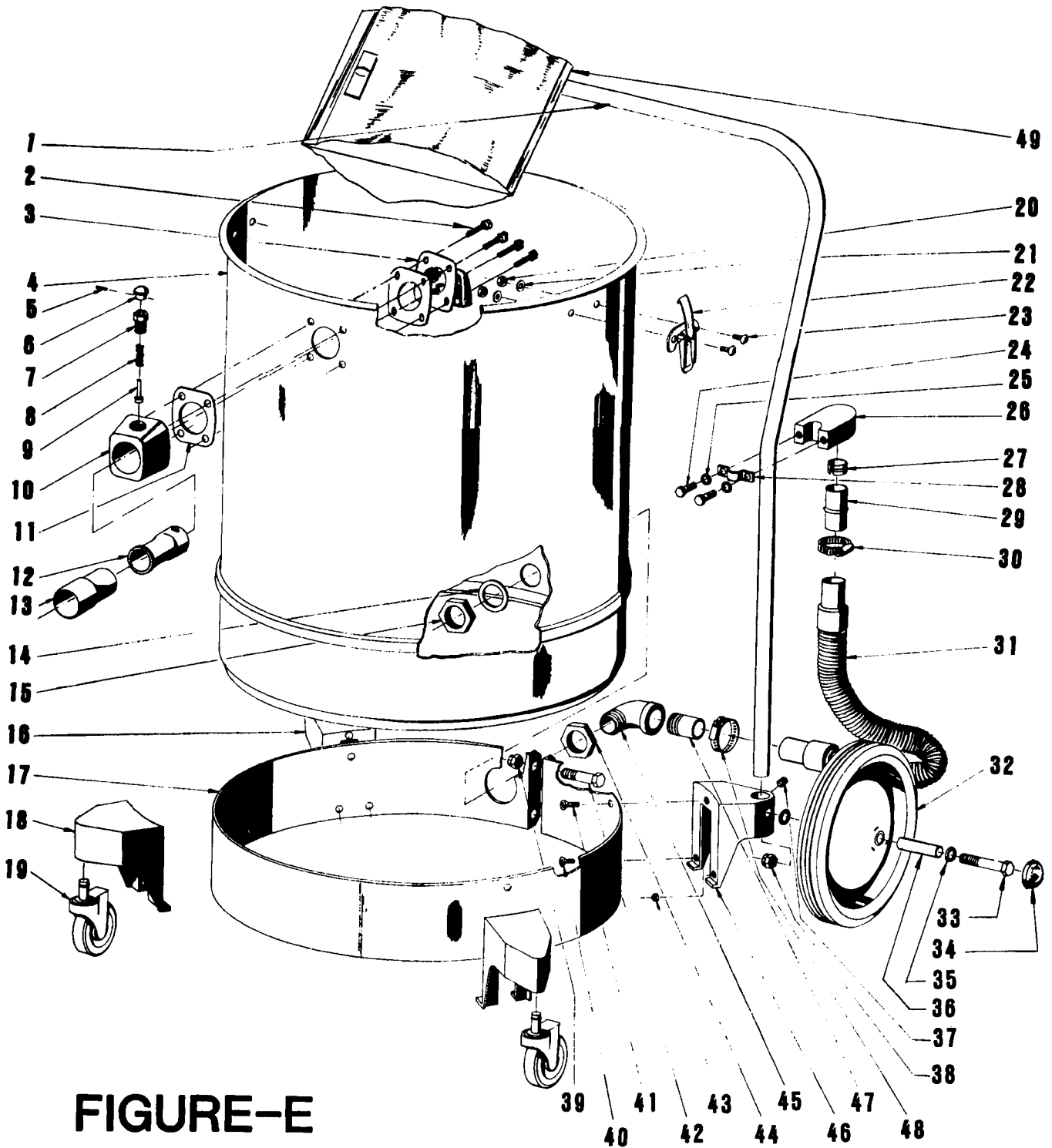
# KT-708HP



**FIGURE-D**

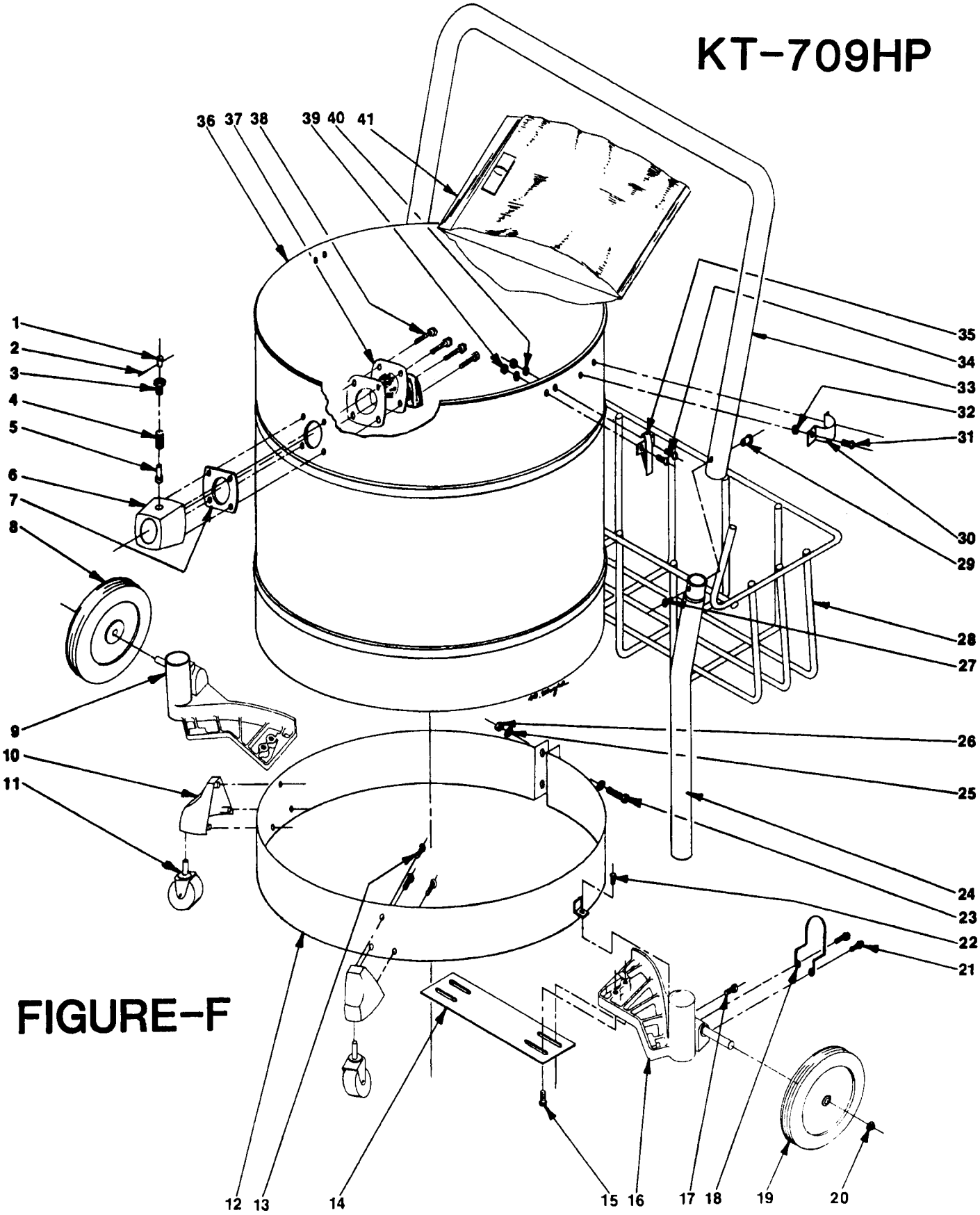
# TANK VAC KT-709HS

## TANK & CARRIAGE ASSEMBLY

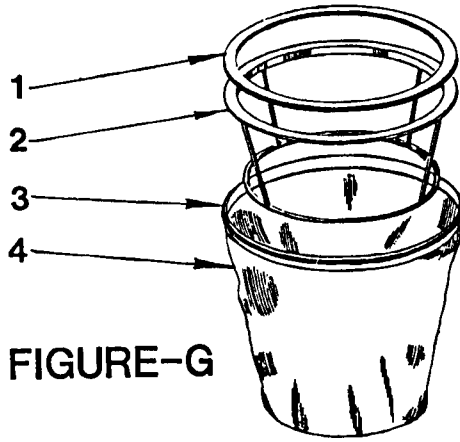


**FIGURE-E**

# KT-709HP



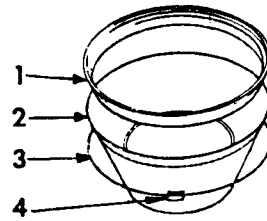
**FIGURE-F**



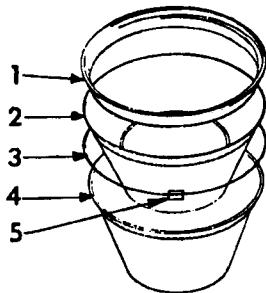
**FILTER ASSEMBLY  
FOR KT-708HS**

**FIGURE-G**

**FILTER ASSEMBLY  
FOR KT-709HS**

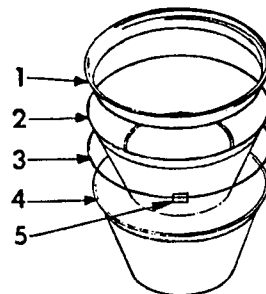


**FIGURE-H**



**FIGURE-I**

**FILTER ASSEMBLY FOR  
KT-708HP**



**FIGURE-J**

**FILTER ASSEMBLY FOR  
KT-709HP**

REF. NO.	PART NO.	DESCRIPTION	NO. REQ.
<b>FIGURE-A</b>			
1	222256	NUT,WING--.250-20,SS	4
2	052748	LABEL,IDENT--HEPA FILTER	1
3	052696	COVER,FILTER--RS 23-0105	1
4	052702	TUBE,STL--.375 O.D.,2.75L	4
5	404300	FILTER,HEPA--ABSOLUTE,7.00DIA	1
6	052723	GASKET,FOAM--.50X9.00 DIA	1
7	402602	EXTRUDED PL DEFLECTOR RING	1
8	223016	SCR TPG F RD HD 8-A X.750L	4
9	033818	WDMT,COVER--MOTOR&MACH, SCREW	1
10	223014	SCR TPG F BDG HD 10-B X.250L	4
11	052721	BOOT,RUBBER--SWITCH PROTECTIVE	1
12	001248	SCR MACH RD HD 6-32X1.00L	1
13	004249	WSHR LK .150ID.32000.022T EXT	1
14	740480 21 20	O-RING,MTRC 3.7ID 7.200 1.8T	1
15	004309	WSHR FLT .156ID.37500.065T STL	1
16	003274	NUT,HEX-- 6-32,ZN PLT	1
17	E45474	NUT,KEPS-- 6-32,ZN PLT	3
18	048350	TUBE,VINYL--.375X.500, 2.75L	1
19	025646	ASM,CORD--POWER W/TERMINALS	1
20	048356	BSHG,STRAIN RLF--.37-.50 ACCOM	1
21	053702	WSHR FLT .78ID1.3800.093T RBR	1
22	026610	SWITCH,TOG--OPDT,20A,125-277V	1
23	047508	O-RING--.500ID .68700 .094T	1
24	005227	WSHR FLT .531ID.87500.036T STL	1
25	048815	LABEL,IDENT--MICROSTAT,1.5X5.2	1
26	052737	FELT,MOTOR COVER	1
27	052740	FELT--STRIP,.188X2.50X41.469L	1
28	005487	SCR TPG F PAN HD 10-24X.500L	2
29	001498	SCR CAP BTN HD .250-20X1.00L	8
30	052432	RETAINER,SCREEN--9.250,MICRSTT	1
31	052581	SPACER,STL--.315X.500, .250L Z	2
32	400504	BAR,STL--FORMED,.062X.900X2.12	1
33	005392	SCR MACH PAN HD 6-32X.250L	2
34	400505	THERMOSTAT	1
35	003275	NUT,HEX-- 6-32,BRASS	2
36	001271	SCR MACH RD HD 10-32X.250L	1
37	053861	GASKET,FOAM--14.250,.875W,.375	1
38	E48373	BRUSH,MTR--FOR 331394	4
39	331394	MTR,VAC--115V,NBP,2 STG	2
40	111609	ASM,WIRE--16GA,GRN,16.0L,RINGS	2
41	005315	SCR TPG F PAN HD 10-24X.375L	2
42	004443	WSHR LK .200ID.37500.022I INT	2
43	400602	GASKET-SUPPORT PLATE	1
44	400502	HOOK MOTOR CLAMPING	4
45	223016	SCR TPG F RD HD 8-A X.750L	2
46	225051	RING,RTNG--EXT,.219 SHAFT,5105	1
47	034226	ASM,SUPPORT PLATE & STUD--	1
48	111452	GASKET 13 3/4 DIA X 3/16	1
49	111384	BUSHING 1 7/32X3/16	4
50	224015	WSHR FLT .187ID1.0000.063T STL	4
51	222223	NUT,HEX LOCK-- 10-32,ZINC	4
52	225051	RING,RTNG--EXT,.219 SHAFT,5105	1
53	402801	SUPPORT-INNER SCREEN	1
54	111457	ASM,SCREEN--INNER	1
55	224012	WSHR FLT .219ID.50000.065T STL	1
56	223015	SCR TPG F RD HD 8-A X.750L	1
57	902901	FILTER,MICROSTAT--14.00DIA.	2
58	111449	ASM,SCREEN--OUTER	1
59	222256	NUT,WING--.250-20,SS	3
60	006108	NUT,SPECIAL--.500 PIPE,HEX LOC	2
61	400102	LABEL,INSTR--SWITCH OPER	1
62	E49255	LABEL,INSTR--WRN,ELEC SHOCK	1
64	025644	ASM,WIRE--16GA,WHTX8.0L W/RING	1
65	025645	ASM,WIRE--16GA,WHTX20L W/RINGS	2
66	034220	WDMT,RING--GASKET,RETAINING	1
<b>FIGURE-B</b>			
1	222255	NUT,WING--.250-20,SS	4
2	052749	LABEL,IDENT--HEPA FILTER	1
3	052695	COVER,FILTER--RS 23-0105	1
4	052702	TUBE,STL--.375 O.D.,2.75L	4
5	404300	FILTER,HEPA--ABSOLUTE,7.00DIA	1
6	052723	GASKET,FOAM--.50X9.00 DIA	1
7	402602	EXTRUDED PL DEFLECTOR RING	1
8	223016	SCR TPG F RD HD 8-A X.750L	4
9	033818	WDMT,COVER--MOTOR&MACH, SCREW	1
10	223014	SCR TPG F BDG HD 10-B X.250L	4
11	052721	BOOT,RUBBER--SWITCH PROTECTIVE	1
12	001248	SCR MACH RD HD 6-32X1.00L	1
13	004309	WSHR FLT .156ID.37500.065T STL	1
14	004249	WSHR LK .150ID.32000.022T EXT	1
15	003274	NUT,HEX-- 6-32,ZN PLT	1
16	740480 21 20	O-RING,MTRC 3.7ID 7.200 1.8T	1
17	E45474	NUT,KEPS-- 6-32,ZN PLT	2
18	048350	TUBE,VINYL--.375X.500, 2.75L	1
19	025646	ASM,CORD--POWER W/TERMINALS	1
20	047508	O-RING--.500ID .68700 .094T	1

REF. NO.	PART NO.	DESCRIPTION	NO. REQ.
21	048356	BSHG,STRAIN RLF--.37-.50 ACCOM	1
22	026610	SWITCH,TOG--OPDT,20A,125-277V	1
23	005227	WSHR FLT .531ID.87500.036T STL	1
24	052698	BAR,STL--FORMED,.062X.900X2.12	1
25	005392	SCR MACH PAN HD 6-32X.250L	2
26	400505	THERMOSTAT	1
27	003275	NUT,HEX-- 6-32,BRASS	2
28	001271	SCR MACH RD HD 10-32X.250L	1
29	005316	SCR TPG F PAN HD 10-24X.375L	2
30	004443	WSHR LK .200ID.37500.022T INT	2
31	E48373	BRUSH,MTR--FOR 331394	4
32	023867	MTR,VAC--115V,BYP,2 STG,PD	2
33	025633	ASM,WIRE--2 CNDCT,16GA,GRN	1
34	034219	SUPPORT PLATE W/STUDS	1
35	400602	GASKET-SUPPORT PLATE	1
37	111384	BUSHING 1 7/32X3/16	4
38	224015	WSHR FLT .187ID1.0000.063T STL	4
39	222224	NUT,HEX LOCK-- 10-24,ZN PLT	4
40	053852	GASKET,RUBBER--.5X9.810X16.800	1
41	053832	RING,COVER--MICRO-STAT FILTER	1
42	900409	BOTTOM CLAMPING PLATE/SCREEN	1
43	053861	GASKET,FOAM--14.250,.875W,.375	1
44	034220	WDMT,RING--GASKET,RETAINING	1
45	661843	MICRO FILT PACK	1
46	001498	SCR CAP BTN HD .250-20X1.00L	8
47	034034	WDMT,RING--BAG & FLOAT FRAME	1
49	052737	FELT,MOTOR COVER	1
50	052740	FELT--STRIP,.188X2.50X41.469L	1
51	002219	SCR MACH RD HD 10-24X4.00L	6
52	224073	WSHR SEAL .250ID SS	3
53	052432	RETAINER,SCREEN--9.250,MICRSTT	1
54	052722	TUBE,STL--.375 O.D.,.3.25 LONG	2
55	052695	COVER,SPLASH--RS 51251,KT-709	1
56	224074	WSHR SEAL .203ID SS	6
57	002381	SCR TPG F PAN HD 10-B X.875L	8
58	005323	WSHR FLT .203ID.50000.036T STL	8
59	003406	NUT,HEX-- 10-24,SS	2
60	400102	LABEL,INSTR--SWITCH OPER	1
61	900015	GASKET	2
62	222255	NUT,WING--.250-20,SS	3
63	006108	NUT,SPECIAL--.500 PIPE,HEX LOC	2
64	025644	ASM,WIRE--16GA,WHTX8.0L W/RING	1
65	025645	ASM,WIRE--16GA,WHTX20L W/RINGS	2
66	E49255	LABEL,INSTR--WRN,ELEC SHOCK	1
67	053702	WSHR FLT .78ID1.3800.093T RBR	1
68	048645	GASKET-VAC MOTOR	1
69	053998	BALL,FLOAT--.4 O.DIA,HEAVY	1
70	003408	NUT,SQUARE--.250-20,BRASS	1
71	002370	SCR MACH TR HD .250-20X1.00L	1
72	E13098	ASM,FRAME--VALVE	1
73	111023	DUST BAG WIRE	1
74	111493	ALUMINUM FOIL .005X1X3	1
75	E13100	ASM,SEPARATOR--	1
<b>FIGURE-C</b>			
1	406801	TANK--5 GAL,SS,W/SNAPS	1
2	052507	ELBOW,AL--45 DEG,2.0000,52430	1
3	050387	GASKET-INLET KT900	2
4	E36379	KNOB	1
5	005541	PIN,GRVD--.052 DIA, .375L	1
6	E36378	SLEEVE-COUPILING LOCK	1
7	E49037	SPRING,COMP .2740 .766L .030WD	1
8	E49036	PIN,CLEVIS--.192X .875 LONG	1
9	E12990	BODY-CONNECTOR	1
10	E36374	TUBE-COUPILING	1
11	706704	CUFF-HOSE SAME AS 16425	1
12	223218	SCR CAP HEX HD .250-20X.625L	3
13	111567	CASTER--3.00DIA,.4375STEM	1
14	406702	BRACKET-CASTOR	1
15	222258	NUT,HEX--.250-20,SS	7
16	224073	WSHR SEAL .250ID SS	7
17	111287	BUSHING-RUBBER	4
18	400801	TRICYCLE HANDLE	1
19	223219	SCR MACH FIL HD .250-20X1.25L	4
20	400802	WHEEL--8.00DIA,.446BORE,1.62HD	2
21	111461	HUB	2
22	004297	PIN,COTTER--.094X .750 LONG	4
23	223220	SCR MACH RD HD 10-32X.375L	2
24	E36398	CLAMP-TOGGLE	4
25	003416	SCR TPG F WSH HD 10-24X.875L	4
26	224074	WSHR SEAL .203ID SS	4
27	222259	NUT,HEX-- 10-32,SS	4
28	111540	PAPER FILTER BAG	1

REF. NO.	PART NO.	DESCRIPTION	NO. REQ.
<b>FIGURE-D</b>			
1	003416	SCR TPG F WSH HD 10-24X.875L	4
2	222203	NUT,ACORN-- 10-32,CR PLT	4
3	E49039A	WSHR FLT .203ID.7500D.048T SS	4
4	053873	TANK,PLASTIC--MACH.,KT-708P	1
5	E36398	CLAMP-TOGGLE	2
6	001461	SCR MACH RD HD 10-32X.625L	4
7	003363	NUT,HEX LOCK--.250-20,ZN PLT	2
8	004208	WSHR FLT .281ID.5000D.036T STL	4
9	092267	SCR CAP HEX HD .250-20X1.50L	2
10	005485	SCR TPG C FL HD 10-24X.500L	12
11	053871	BAND-MOUNTING--CASTER,KT-708P	1
12	051096	BODY-CASTER 4TG	4
13	E49241	CASTER--2.500DIA.,.437 STEM,BLK	4
14	050387	GASKET-INLET KT900	2
15	E12990	BODY-CONNECTOR	1
16	E49036	PIN,CLEVIS--.192X .875 LONG	1
17	E49037	SPRING,COMP .274D .766L .030WD	1
18	E36378	SLEEVE-COUPILING LOCK	1
19	005541	PIN,GRVD--.062 DIA. .375L	1
20	E36379	KNOB	1
21	052507	ELBOW,AL--45 DEG,2.000D,52430	1
22	111540	PAPER FILTER BAG	1

REF. NO.	PART NO.	DESCRIPTION	NO. REQ.
<b>FIGURE-E</b>			
1	111765	HANDLE	1
2	002367	SCR TPG F WSH HD 10-24X.625L	4
3	053835	WDMT,INLET--ELBOW,TANK VAC	1
4	111679	TANK,VAC--16 GAL,SS	1
5	005541	PIN,GRVD--.052 DIA. .375L	1
6	E36379	KNOB	1
7	E36378	SLEEVE-COUPILING LOCK	1
8	E49037	SPRING,COMP .274D .766L .030WD	1
9	E49036	PIN,CLEVIS--.192X .875 LONG	1
10	E12990	BODY-CONNECTOR	1
11	050387	GASKET-INLET KT900	2
12	E36374	TUBE-COUPILING	1
13	706704	GUFF-HOSE SAME AS 16425	1
14	715402	SEAL	1
15	715401	NUT,SPECIAL--1 INCH PIPE NUT	1
16	111716	WHEEL BRACKET-RIGHT	1
17	907611	CARRIAGE BAND	1
18	111714	WHEEL BRACKET-CASTOR	2
19	111567	CASTER--3.000DIA.,.437STEM	2
20	222259	NUT,HEX-- 10-32,SS	4
21	224074	WSHR SEAL .203ID SS	4
22	E36398	CLAMP-TOGGLE	2
23	223220	SCR MACH RD HD 10-32X.375L	4
24	002253	SCR CAP HEX HD .250-20X.750L	2
25	002275	WSHR LK .262ID.4890D.062TSPLT	2
26	719400	ASM,SUPPORT--HOSE	1
27	709500	BUTTON SPRING	1
28	715409	CLAMP	1
29	709200	FERRULE	1
30	049082	CLAMP,HOSE--1.50 MAX DIA,WORM	1
31	033762	ASM,HOSE&CUFFS--1.650IAK27.0 L	1
32	111719	WHEEL--10.00DIA.,.503BORE,1.75HB	2
33	223225	SCR CAP HEX HD .375-16X3.75L	2
34	111674	HUB CAP	2
35	004384	WSHR FLT .406ID.8750D.064T STL	4
36	111720	SPACER,STL--.394X.500,1.820L,Z	2
37	223145	SCR SET CUP PT .250-20X.250L	2
38	003368	NUT,HEX LOCK--.375-16,ZN PLT	2
39	222262	NUT,HEX LOCK--.312-24,NYLDC,ZN	2
40	001304	SCR MACH FLAT HD 10-32X.500L	8
41	223082	SCR MACH FLAT HD 10-32X.750L	4
42	223132	SCR CAP HEX HD .312-24X1.50L	2
43	222223	NUT,HEX LOCK-- 10-32,ZINC	12
44	715401	NUT,SPECIAL--1 INCH PIPE NUT	1
45	222031	ELBOW,PIPE--1 IPTX1 IPT,GALV	1
46	111715	WHEEL BRACKET L	1
47	715403	PIPE 1 INCH	1
48	049082	CLAMP,HOSE--1.50 MAX DIA,WORM	1
49	111540	PAPER FILTER BAG	1

REF. NO.	PART NO.	DESCRIPTION	NO. REQ.
<b>FIGURE-F</b>			
1	E36379	KNOB	1
2	005541	PIN,GRVD--.062 DIA. .375L	1
3	E36378	SLEEVE-COUPILING LOCK	1
4	E49037	SPRING,COMP .274D .766L .030WD	1
5	E49036	PIN,CLEVIS--.192X .875 LONG	1
6	E12990	BODY-CONNECTOR	1
7	050387	GASKET-INLET KT900	2
8	050103	WHEEL--8.00DIA.,.500BORE,2.75HB	1
9	033173	ASM,FRAME & AXLE--RH	1
10	051096	BODY-CASTER 4TG	2
11	E49042	CASTER--2.500DIA.,.437 STEM	2
12	051099	BAND-CASTER 4TG. KT500P	1
13	005486	SCR TPG C FL HD 10-24X.500L	6
14	E36370	SUPPORT-CARRIAGE	1
15	002368	SCR TPG F WSH HD .250-20X.500L	4
16	033172	ASM,FRAME & AXLE--LH	1
17	002360	SCR MACH FIL HD .250-20X1.00L	2
18	E36484	SUPPORT-WAND	1
19	050103	WHEEL--8.00DIA.,.500BORE,2.75HB	2
20	E48939	NUT,PUSH--.500,WSHR CAP,ZN P	2
21	002367	SCR TPG F WSH HD 10-24X.625L	4
22	002343	SCR TPG F PAN HD .250-20X.500L	2
23	002267	SCR CAP HEX HD .250-20X1.50L	2
24	E25531	TUBE-HANDLE SUPPDRT	2
25	004208	WSHR FLT .281ID.5000D.036T STL	4
26	003363	NUT,HEX LOCK--.250-20,ZN PLT	2
27	E49026	SCR-HANDLE	2
28	E13020	CARRIER-TOOL	1
29	E49028	NUT,SPECIAL--HANDLE	1
30	E36387	CLAMP HANDLE	2
31	223046	SCR MACH RD HD 10-32X.375L	4
32	050405	SPACER,NYLON--.203X.437. .125L	4
33	E25593	TUBE-HANDLE	1
34	001461	SCR MACH RD HD 10-32X.625L	4
35	E36398	CLAMP-TOGGLE	2
36	053870	TANK--16 GAL,PLASTIC,KT-709P	1
37	053835	WDMT,INLET--ELBOW,TANK VAC	1
38	003416	SCR TPG F WSH HD 10-24X.875L	4
39	222203	NUT,ACORN-- 10-32,CR PLT	4
40	E49039A	WSHR FLT .203ID.7500D.048T SS	4
41	111540	PAPER FILTER BAG	1

REF. NO.	PART NO.	DESCRIPTION	NO. REQ.
<b>FIGURE-G</b>			
1	111024	GASKET	1
2	111217	FRAME	1
3	111023	DUST BAG WIRE	1
4	111218	DRY FILTER 10 OZ TAPERED BAG	1
5	111493	ALUMINUM FOIL .005X1X3	1

REF. NO.	PART NO.	DESCRIPTION	NO. REQ.
<b>FIGURE-H</b>			
1	053427	RING,DUST BAG--23-0073,WHT P/C	1
2	111219	DRY FILTER 10 OZ TAPERED BAG	1
3	111023	DUST BAG WIRE	1
4	111493	ALUMINUM FOIL .005X1X3	1

REF. NO.	PART NO.	DESCRIPTION	NO. REQ.
<b>FIGURE-I</b>			
1	051167	FRAME-FILTER	1
2	051168	FILTER FRAME GASKET KT-200P	1
3	E13079	ASM,FILTER--PRIMARY	1
4	050034	BAG WIRE	1
5	E13078	ASM,FILTER--SECONDARY	1
6	111493	ALUMINUM FOIL .005X1X3	1

REF. NO.	PART NO.	DESCRIPTION	NO. REQ.
<b>FIGURE-J</b>			
1	051093	FRAME-FILTER	1
2	051095	FILTER FRAME GASKET	1
3	E13075	ASM,FILTER--PRIMARY	1
4	050035	BAG WIRE	1
5	E13076	ASM,FILTER--SECONDARY	1
6	111493	ALUMINUM FOIL .005X1X3	1

# THE KENT LIMITED WARRANTY

Your Kent equipment which has been manufactured, tested and inspected in accordance with carefully specified engineering requirements, is warranted to be free from defects in material and workmanship. This warranty is, however, subject to the following qualifications, conditions, and limitations which are set forth to provide you and all users of the Kent equipment with information concerning the duration, extent, availability, and applicability of this Kent limited warranty, the procedure to be taken to obtain its performance, and other information concerning the Kent warranty policy.

## The Kent Limited Warranty is extended to the original end user as follows:

Wet/Dry tank vacuums except environmental vacuums HEPA filter equipped 3 year parts replacement and 1 year service labor warranty.

Environmental vacuums HEPA filter equipped 1 year parts replacement and service labor warranty.

Replacement parts guaranteed for 90 days from date of installation against defects in material and workmanship.

The 10 year poly component replacement warranty with 1 year service labor extends for a period of ten (10) years from the date of the original purchase of the Kent equipment by the original purchaser. This warranty will not cover damage attributable to the following:

- (1) Improper, unreasonable or negligent use or abuse of the equipment.
- (2) Use of equipment with hot water or high temperature above 130 degrees Fahrenheit (54 degrees centigrade).
- (3) "Warpage", "Creepage", or "Distortion" of part so long as the same does not interfere with normal operation.
- (4) Abrasions or punctures of the equipment.

The start date of the warranty coverage shall be the purchase date of the original end user or six months from the date the machine was shipped from the factory, whichever comes first.

## PARTS OF KENT EQUIPMENT NOT COVERED BY WARRANTY

Certain parts of Kent equipment require replacement in the ordinary course of use due to normal wear by reason of their characteristics. These are normal wear items such as cords, gaskets, switches, bumpers, carbon brushes, handle grips, bags, hoses, bearings, etc.

## EXCEPTIONS AND EXCLUSIONS FROM WARRANTY

This equipment is required to be used on electric current as indicated on the data plate. Otherwise damage, defects, malfunctions or other failures of the equipment arising from use on electric current not as indicated are excepted and excluded from this warranty. Defects, malfunctions, failure or damage of the equipment caused by improper, unreasonable or negligent use or abuse while in the possession of the purchaser are likewise excluded from this warranty. If repair is done on your equipment by anyone other than those designated as authorized to perform such work without first having obtained factory instructions, The Kent Company, at its sole option, may determine that this warranty will not apply and that reimbursement for such repair will not be made because of the failure to comply with such factory specified instructions.

## PROCEDURE TO BE TAKEN TO OBTAIN PERFORMANCE OF WARRANTY REPAIR

To secure repair of the equipment or any warranted parts under this warranty, the following procedure should be taken. The inoperative equipment or warranted parts, together with satisfactory evidence of the purchase date, must be delivered, with shipping and delivery charges prepaid, to one of the following:

- (1) The dealer from whom purchased;
- (2) Any Kent distributor's service department in the United States;
- (3) Any Kent authorized service station in the United States.

If you are unable to locate any of the foregoing, you may write or otherwise communicate with The Kent Company for instructions before repair service is performed by anyone else. In such event, The Kent Company will provide either the location of a closely available Kent distributor service department or Kent authorized service station or other factory instructions. Upon compliance with the above procedure, all warranted defects will be repaired, at no additional charge or costs to the customer, and the repaired product returned to the customer, with all shipping and delivery charges prepaid. In following the procedures above set forth, PLEASE MAKE CERTAIN to state the Kent model, type and serial number as shown on the dataplate of the equipment.

## REPLACEMENT

In the event of a defect, malfunction or failure of your Kent equipment or any warranted part to conform with this warranty, The Kent Company may, at its sole option and own expense, replace the equipment or any warranted part with another new identical or reasonably equivalent model or part in lieu of repairing the defect.

## NO REFUND OF PURCHASE PRICE

The Kent Company will not, as a matter of its warranty policy, refund the customer's purchase price.

## WARRANTY REGISTRATION CARD FOR YOUR KENT EQUIPMENT AND REQUEST FOR INFORMATION

Your Kent Company distributor from whom you purchased your equipment is responsible for the registration of your warranty with the factory. We ask that you cooperate with your distributor in supplying the necessary information on the warranty card so that we may better serve you. Any information or questions you may have concerning your Kent equipment or this warranty may likewise be secured from the factory. This warranty gives you specific legal rights, and you may also have other rights which vary from state to state.

## THE KENT COMPANY

P.O. BOX 1665 ELKHART, INDIANA 46515