



Electronic Service Manuals

This electronic document is provided as a service to our customers. We do not create the contents of the information contained in this document. Should you have detailed questions pertaining to the information contained in this document, you may contact Michco, or the manufacturer which provided the original information in this electronic deliverable. Michco's only part in this electronic deliverable was the electronic assembly process.

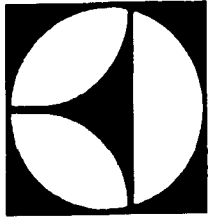
You may contact Michco through the following methods:
Phone (517) 484-9312 or (800) 331-3339 MI, OH, IN only
2011 N. High St. -- Lansing, Michigan -- 48906
Fax: (517) 484-9836
Email: CustServ@Michco.com
Web site: www.Michco.Com
Parts Web site: www.FloorMachineParts.Com

Order Parts on Line at:
www.FloorMachineParts.Com

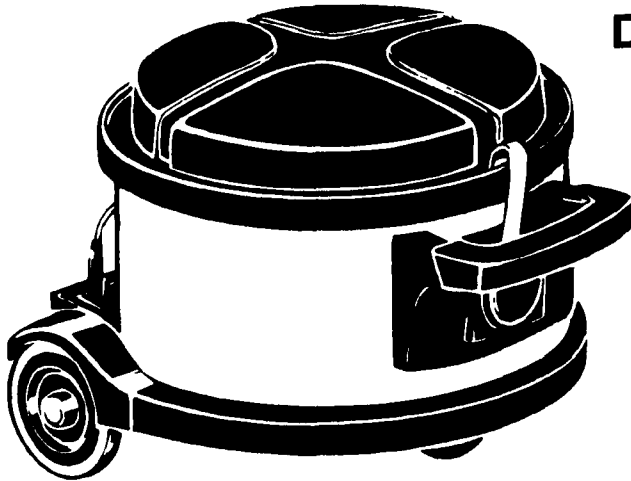
Directly to Parts & Service:
By Email: **Shop@Michco.com**
By Fax: (517) 702-2041
By Voice: Use numbers above.

Serving the Cleaning Industry Since 1922

Notice: All copyrighted material remains property of original owners, all trademarks are property of respective owners. Manuals are subject to Manufacturer's reproduction limitations. Originals or reproductions were provided by manufacturers through a request. We make no warranty as to the correctness of information provided in this document and you assume all risk.



KENT



MODEL:
KT-151
(UZ-930s)
**DRY TANK VACUUM
AND
POWER HEAD**

**OPERATING,
MAINTENANCE
INSTRUCTIONS
& ILLUSTRATED
PARTS LIST**

**THE KENT COMPANY
P.O. Box 1665
2310 Industrial Parkway
Elkhart, IN 46515
TEL: (219)293-8661,
(800)334-1083**

~~(800)642-6635 (Indiana)~~

FAX: (219)295-8610

~~TELEX: 95 9891 KENT CO EKR~~

MAY 1993

SAVE THESE INSTRUCTIONS!

IMPORTANT SAFEGUARDS

Accidents due to misuse can only be prevented by those using the machine.

READ AND FOLLOW ALL SAFETY INSTRUCTIONS.

WARNING!

To reduce the risk of fire, electric shock, or injury, please read and follow all safety instructions and caution markings before using.

This vacuum cleaner is designed to be safe when used to perform cleaning functions as specified. Should damage occur to electrical or mechanical parts, cleaner and/or accessory should be repaired by manufacturer or qualified service station before using in order to avoid further damage to machine or physical injury to user.

- To avoid electric shock, use indoors only.
- Disconnect cleaner before servicing and when not in use. Do not leave unattended cleaner plugged in.
- Do not use with damaged cord or plug. To unplug, grasp the plug and not the cord. Do not handle plug or cleaner with wet hands. Turn off all controls before unplugging.
- Do not pull or carry by cord, use cord as a handle, close a door on cord, or pull cord around sharp edges or corners. Do not run cleaner over cord. Keep cord away from heated surfaces.
- Keep hair, loose clothing, fingers and all parts of the body away from openings and moving parts. Do not put any objects into openings or use with opening blocked. Keep openings free of dust, lint, hair, and anything else that could reduce air flow
- Do not pick up anything that is burning or smoking, such as cigarettes, matches, or hot ashes.
- Do not use to pick up flammable or combustible liquids such as gasoline or use in areas where they may be present.
- Do not allow to be used as a toy. Close attention is necessary when used by or near children.

- Do not use unless filters and bag are in place.
- Use extra care when using on stairs or irregular surfaces.
- If cleaner is not working properly or has been dropped, damaged, left outdoors, or dropped into water, return it to a service center or dealer.
- Use only as described in this manual and only with manufacturer's recommended attachments
- The use of the HEPA-filter when picking up hazardous materials has not been evaluated by Underwriters Laboratories

GENERAL INFORMATION

BEFORE YOU PLUG IN HOUR CLEANER, check the rating plate located on the cleaners back side to see if the rated voltage agrees within 10% of the voltage available.

DO NOT OIL. The motor in your new cleaner is permanently lubricated and sealed. Do not oil the motor at any time.

During shipping, the dust bag may have become dislodged. Check the bag to insure proper seating before attempting to use the cleaner. Do not operate the cleaner without the dust bag as damage may reset to the motor.

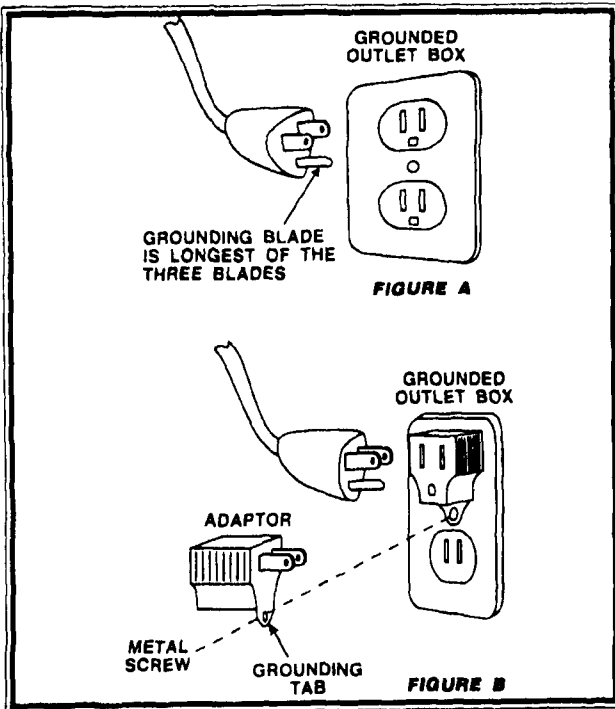
This vacuum cleaner is equipped with a thermo protection switch to prevent over-heating of components. Should this safety switch shut the system down, it is necessary to wait at least 5-10 minutes for it to automatically reset. Remove clogged elements in hose and replace dust bag if necessary during this period. Check filter for clogging and replace if necessary

For longer service life and safe use of your vacuum cleaner, we recommend the following guidelines: Your cleaner is designed to pick up dirt and dust particles.

THIS MACHINE IS NOT DESIGNED FOR WATER PICK UP. THE ATTEMPT TO PICK UP WATER COULD RESULT IN SERIOUS BODILY INJURY OR DEATH. Avoid picking up hard or sharp objects with your cleaner to avoid bag breakage, clogging or possible motor damage

GROUNDING INSTRUCTIONS

This appliance must be grounded. If it should malfunction or breakdown, grounding provides a path of least resistance for electric current to reduce the risk of electric shock. This appliance is equipped with a cord having an equipment-grounding conductor and grounding plug. The plug must be plugged into an appropriate outlet that is properly installed and grounded in accordance with all local codes and ordinances



DANGER!

Improper connection of an equipment-grounding conductor can result in risk of electric shock. Check with a qualified electrician or service person if you are in doubt as to whether the outlet is properly grounded. Do not modify the plug provided with the appliance. If it will not fit the outlet, have a proper outlet installed by a qualified technician.

This appliance is for use on a nominal 120 volt circuit and has a grounding plug that looks like the plug illustrated in Figure A. A temporary adapter which looks like the adapter illustrated in Figure B may be used to connect this plug to a two-pole receptacle, as shown, if a properly grounded outlet is not available. The temporary adapter should be used only until a properly grounded outlet, Figure A, can be installed by a qualified electrician. The green colored rigid ear, lug, or the like extending from the adapter must be connected to a permanent ground such as a properly grounded outlet box cover. Whenever the adapter is used, it must be held in place by a metal screw.

NOTE! This temporary adapter is not acceptable in Canada.

SERVICE INFORMATION

To obtain consistent performance over the life of your vacuum, read through these instructions and keep them handy for future reference. If you require service, contact the dealer from whom the vacuum was purchased, or the local authorized Service Station for complete service information. For prompt and complete service

information, always refer to the model, type and serial number indicated on the rating plate

| | | |
|----------------------|-------|-----|
| THE KENT CO. | | |
| ELKHART, INDIANA USA | | |
| SERIAL NO | MODEL | |
| VOLTS | PHASE | Hz |
| MOTOR 1 | A M P | H P |
| MOTOR 2 | A M P | H P |

Write the model and serial number of your unit in the space provided. Refer to the rating plate on unit.

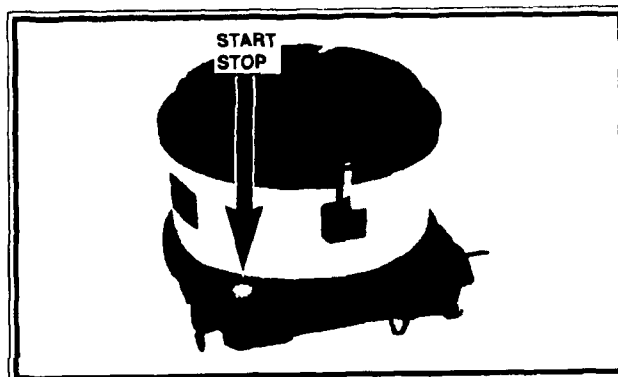
MODEL # SERIAL #
Retain this owner's manual for future reference.

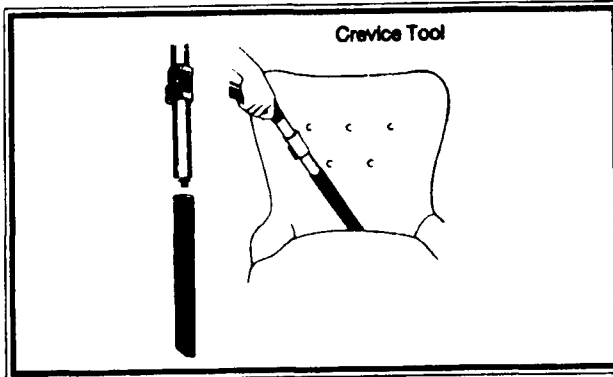
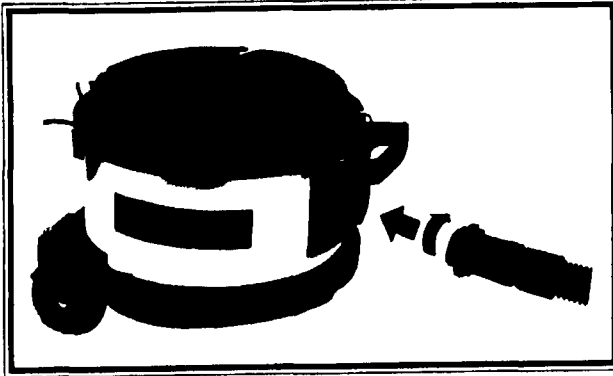
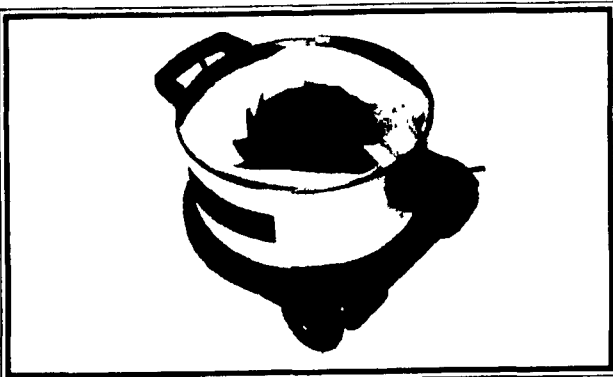
OPERATING INSTRUCTIONS

This vacuum cleaner is equipped with a thermo protection to prevent overheating of components. Should this safety switch shut

USING THE MOTORIZED NOZZLE

Assembly instructions for the motorized nozzle are included in the packaging. Insert the curved wand





handle into the motorized nozzle wand. An extension cord with a special fitting is provided to make the electrical connection between the motorized nozzle and your cleaner. Make the electrical connection between the motorized nozzle supply cord and the extension cord.



Never use the cleaner in wet rooms

Attach the extension cord to the hose with the cord locator straps, spacing them evenly along the hose. Once in place, the straps need not be removed from the hose.

Plug hose cord into power outlet located at the rear of the vacuum cleaner. Plug the cleaner power cord into an electrical outlet. Cleaner power switch operates with a touch of the foot. Push orange button to turn ON, push again to turn OFF. The motorized nozzle power switch operates with a touch of the foot also. Push to turn ON, push again to turn OFF.

NOTE: Both the vacuum cleaner and the motorized nozzle must be turned ON to operate the motorized nozzle.

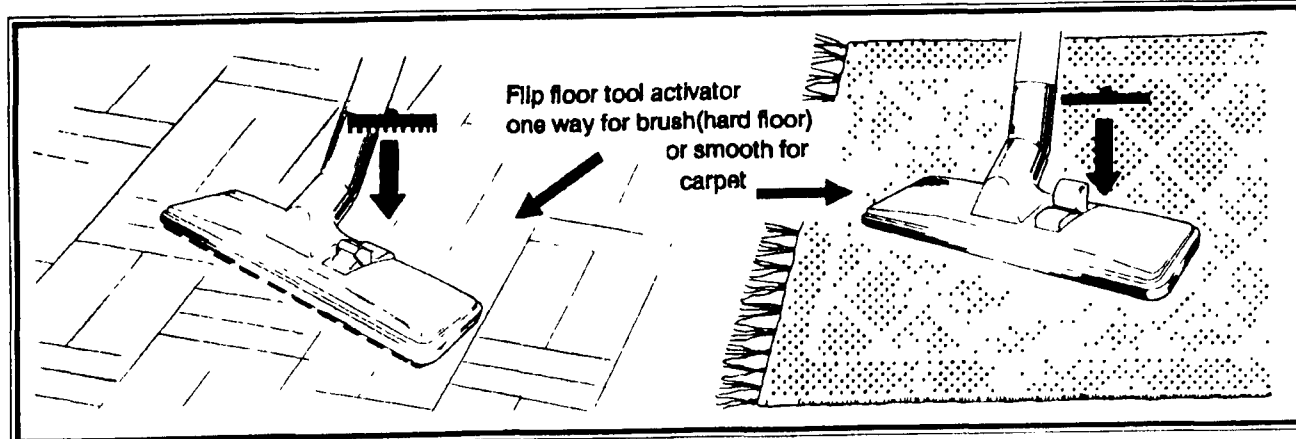
THIS MOTORIZED NOZZLE IS DESIGNED TO BE USED ON CARPETING ONLY!

TO RELEASE THE MOTORIZED NOZZLE HANDLE

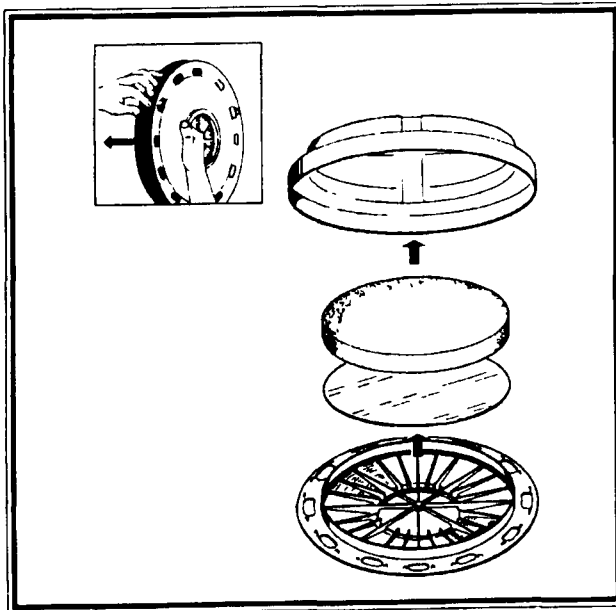
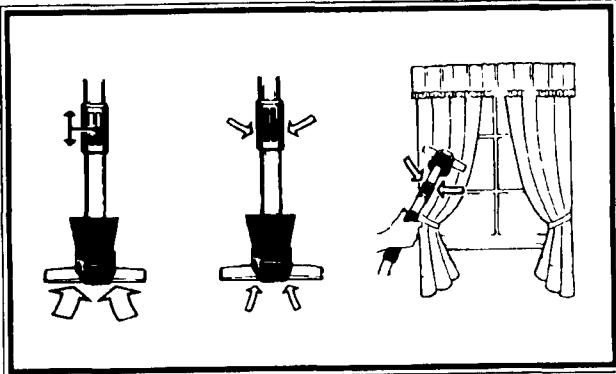
Place foot lightly on top of nozzle housing along either side of handle socket while lowering handle from upright to comfortable work position. When not in use, stand unit upright. When using other cleaning tools, BE SURE TO DISCONNECT the hose cord from the cleaner outlet.

EDGE CLEANER

The Edge Cleaner feature improves cleaning of carpets near walls and stationary furniture. Slots on the sides of nozzle increase air flow to the edges of the



cleaner and add to the cleaning efficiency of the cleaner. To operate, simply run cleaner along edge board. Edge Cleaner operates instantly and automatically.



CARPET CLEANING ADJUSTMENT

The nozzle height is instantly and automatically adjusted to any carpet pile length. The floating head feature of your motorized nozzle allows the nozzle to float evenly and parallel to all carpet surfaces without manual adjustment.

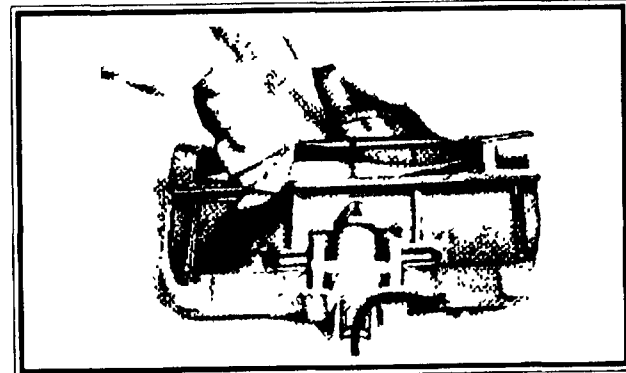
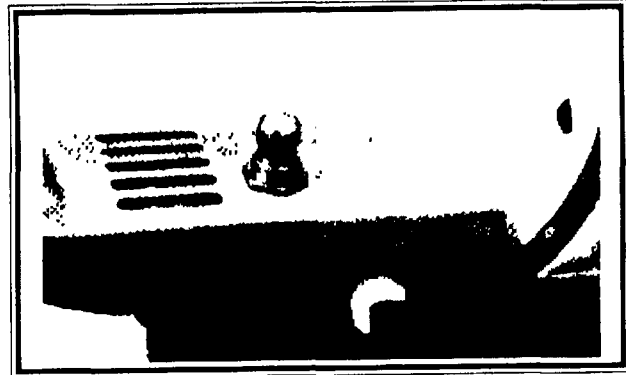
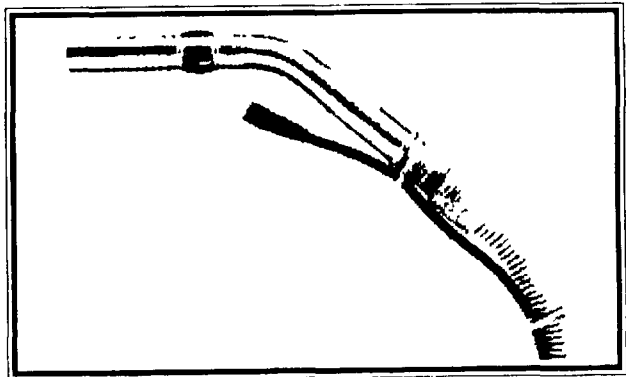
HOW TO USE YOUR CLEANING TOOLS

To use your cleaning tools, slip the straight end of the wand into the circular end of the tools with a twisting motion until it is secure. Use curved wand with the floor and wall brush, pushing dimpled end into nozzle opening until wand clicks-in and turns freely.

Join the two aluminum handle sections by inserting one section into the larger end of the second section.

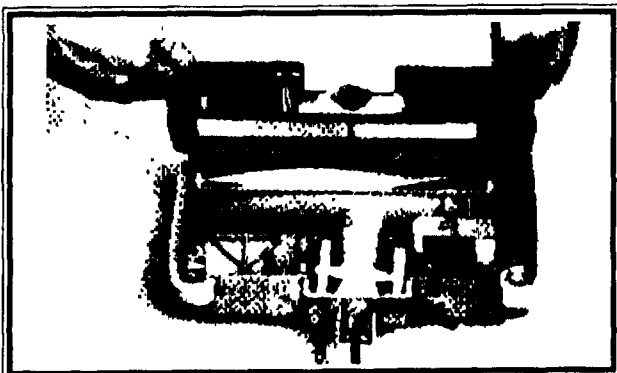
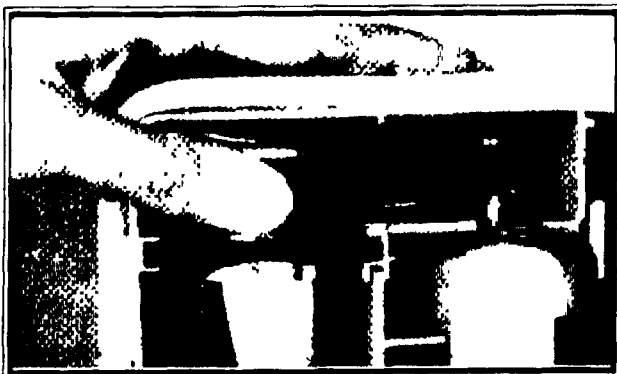
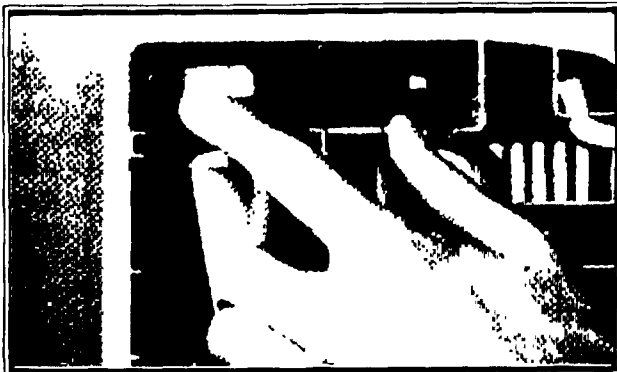
THE BRUSH ROLL BELT

The brush roll belt on the motorized nozzle drives the brush roll to provide agitation, sweeping action and combing of the nap.



WHEN TO REPLACE A WORN BELT

The brush roll belt should be checked regularly to be sure it is in good condition. Check to see if the belt is stretched or cracked or if excessive slipping is occurring. Replace the belt if needed.



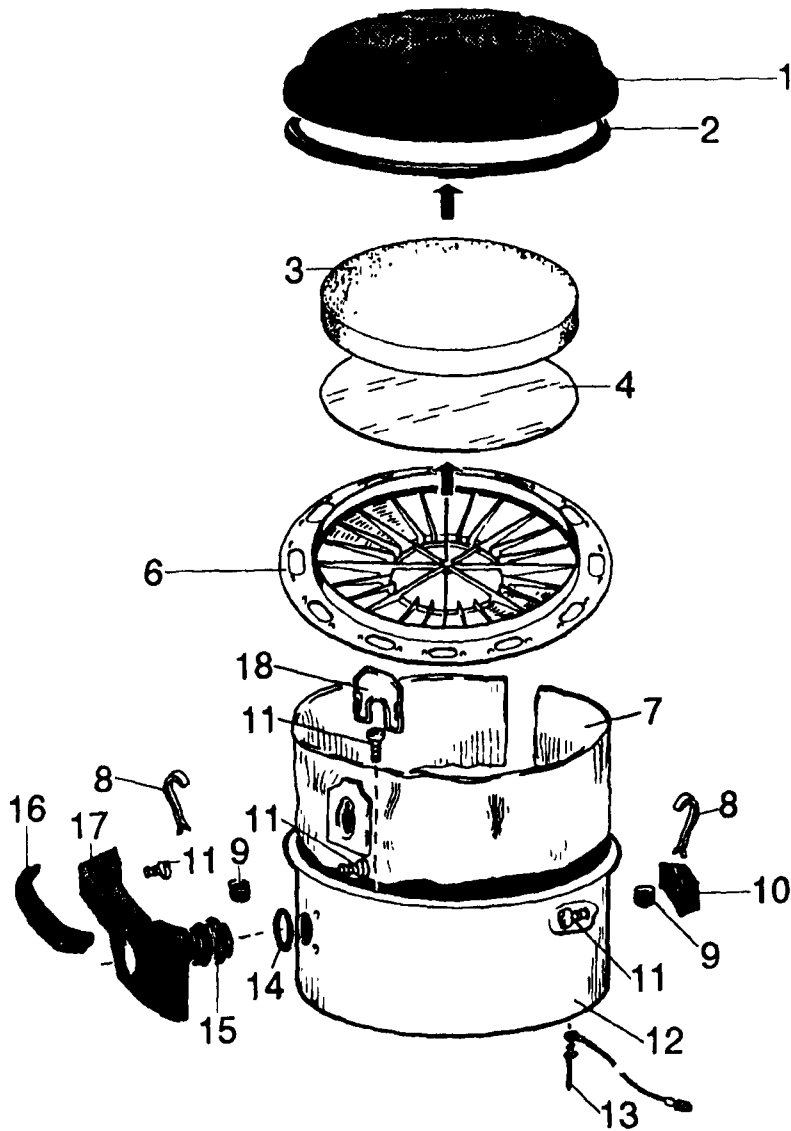
HOW TO REPLACE A WORN BELT

NOTE: Be sure to disconnect unit from electric supply before replacing belt.

Remove chrome bottom plate by removing the two phillips screws on bottom of unit. Next, remove the worn or broken belt from the brush roll pulley and the motor drive shaft. Loop the new belt around the center of the motor drive shaft. Slip the opposite loop of the belt between the brush roll pulley and the nozzle housing.

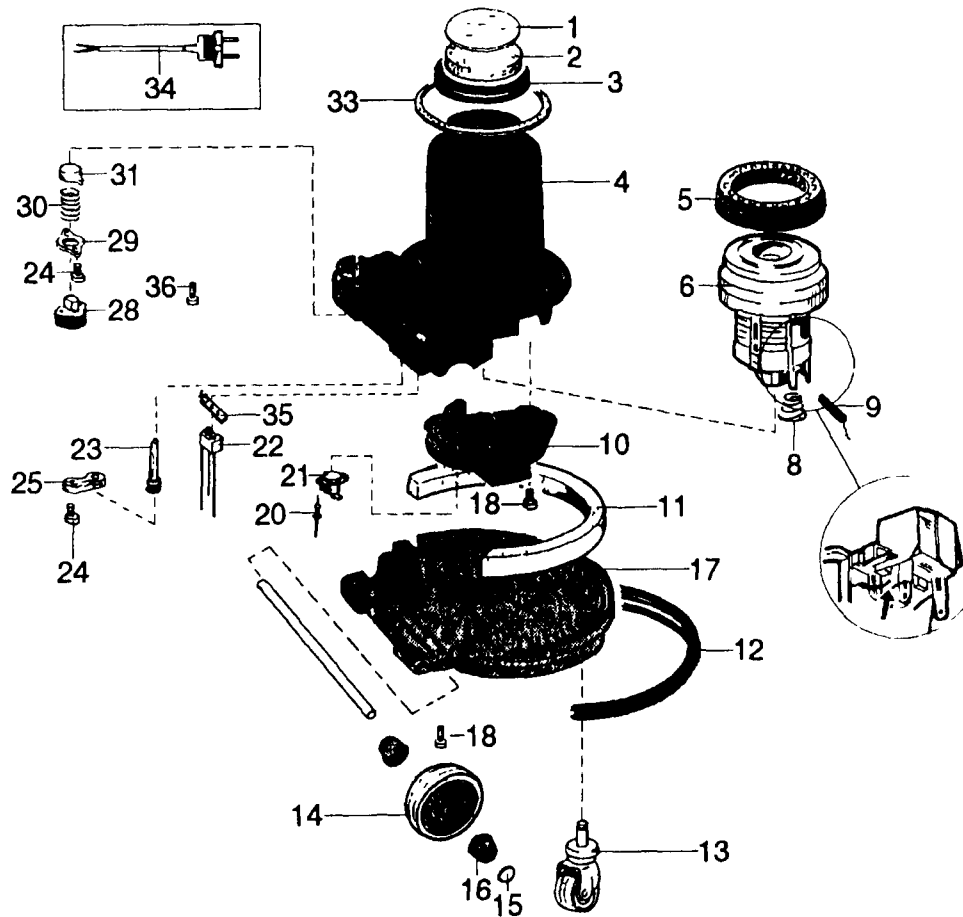
Using your thumb and finger, rotate the belt on the pulley, wrapping the belt all the way around the pulley. Place the lip on front of the chrome bottom plate over the ridge across the front of the nozzle. Secure the chrome bottom plate by replacing the two phillips screws.

Be sure to use only KENT replacement belts. Ask for Brush Roll Belt No. E35967.



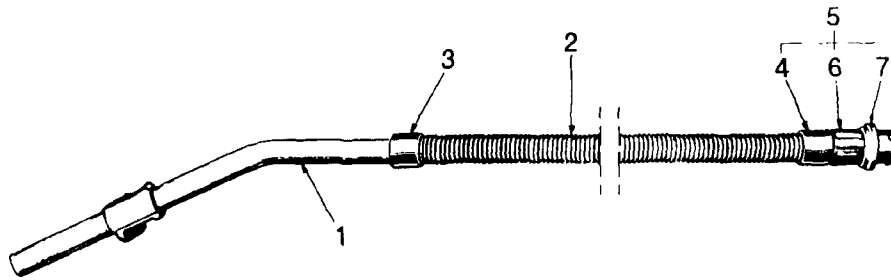
| DET PART NO. | DESCRIPTION | QUANT |
|--------------|----------------------------------|-------|
| 1 | 1405062010 COVER, COMPLETE-- | 1 |
| 2 | 1400061030 GASKET, LID--KT-151 | 1 |
| 3 | 1401515010 FILTER | 1 |
| 4 | 1403260000 PAPER FILTER-- | 1 |
| 4 | 661655 MICRO FILTER DOZ | 1 |
| 6 | 1402911000 FILTER, HOLDER-- | 1 |
| 7 | 1407015010 BAG, DUST--PKG OF 10 | 1 |
| 7 | 1407019000 CLOTH DUST BAG(OPT)-- | 1 |
| 8 | 1401507000 SPRING-- | 2 |
| 9 | 1401519000 SPRING-- | 2 |

| DET PART NO. | DESCRIPTION | QUANT |
|--------------|--|-------|
| 10 | 1401509010 SUPPORT- | 1 |
| 11 | 1409214070 SCREW, PTK 5014-- | 8 |
| 12 | 1407020040 CONTAINER-- | 1 |
| 13 | 1405694000 RIVET-- | 1 |
| 14 | 7404416000 O-RING, MTRC 49 5ID, 55 5OD, 3 OT | 1 |
| 15 | 1407013000 INLET-- | 1 |
| 16 | 1405060000 HANDLE PROTECTION-- | 1 |
| 17 | 1402915020 HANDLE-- | 1 |
| 18 | 1407014000 DUST BAG LOCK-- | 1 |

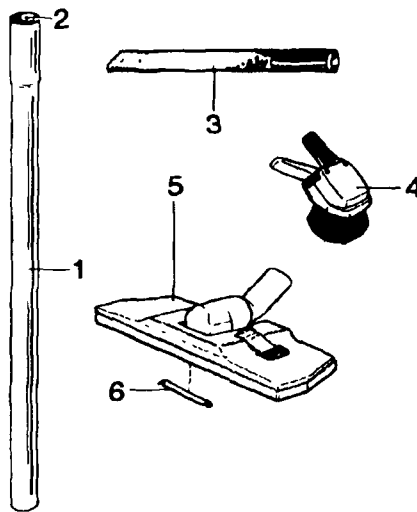


| DET PART NO. | DESCRIPTION | QUANT |
|--------------|--|-------|
| 1 | 1403261000 PAPER FILTER-- | 1 |
| 2 | 1401535000 FILTER--KT-150,SERVICE ITEM | 1 |
| 3 | 1402847000 RING,V-- | 1 |
| 4 | 1407010030 STAND-- | 1 |
| 5 | 0111548000 SUSPENSION RING-- | 1 |
| 6 | 0116000180 FAN UNIT--120 VOLT | 1 |
| 8 | 1407016000 SPRING-- | 4 |
| 9 | 0018619110 CARBON BRUSH-- | 2 |
| 10 | 1407012010 MOTOR PLATE-- | 1 |
| 11 | 1407022000 SILENCER-- | 1 |
| 12 | 1407018000 BUMPER-- | 1 |
| 13 | 1407025000 CASTOR WHEEL-- | 1 |
| 14 | 1405055010 WHEEL--REAR | 2 |
| 15 | 1405058000 LOCKING CAP-- | 2 |
| 16 | 1405057000 PROTECTIVE WASHER-- | 4 |
| 17 | 1407011020 BOTTOM PART-- | 1 |
| 18 | 1409214070 SCREW,PTK 5014-- | 14 |

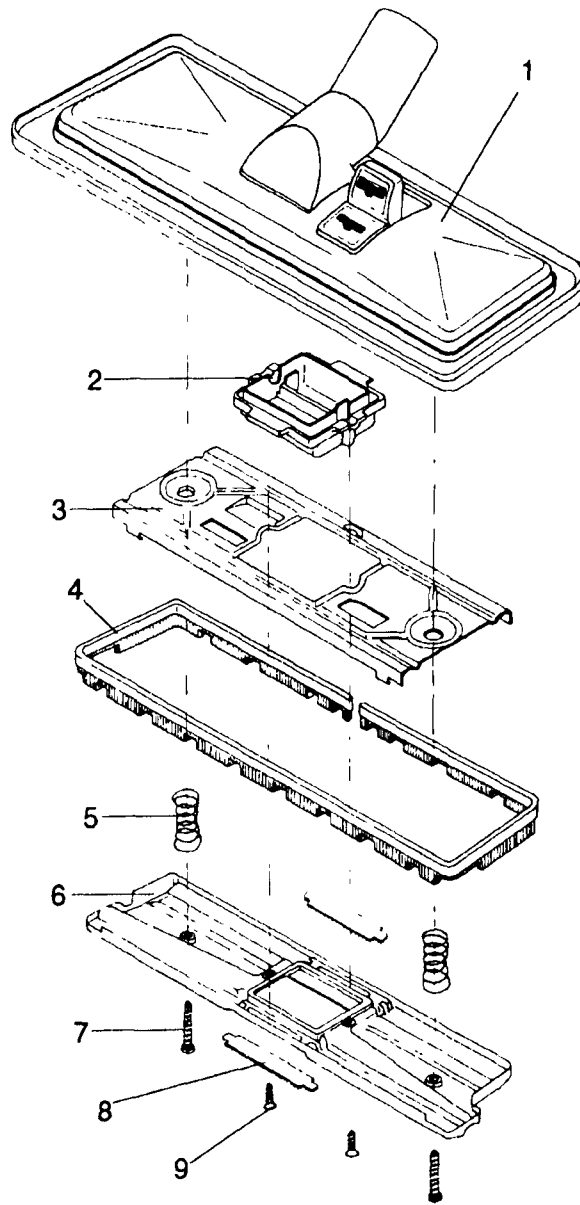
| DET PART NO. | DESCRIPTION | QUANT |
|--------------|--|-------|
| 19 | 1405059000 ROD,STL-- 312 DIA X 15 78 L | 1 |
| 20 | 1405694000 RIVET-- | 2 |
| 21 | 1403894000 THERMO SWITCH-- | 1 |
| 22 | E36427 PLATE-COVER | 1 |
| 22 | 051164 ASM,RECEPTACLE & TERMINAL-- | 1 |
| 23 | 0931027010 SLEEVE-- | 1 |
| 24 | 1409214040 SCREW,PTK 4014-- | 4 |
| 25 | 0561014060 ANTI-STRAIN CLIP-- | 1 |
| 28 | 1407033000 SWITCH-- | 1 |
| 29 | 1401508000 WASHER-- | 1 |
| 30 | 1401522000 SPRING-- | 1 |
| 31 | 1401516000 PUSH BUTTON-- | 1 |
| 33 | 1407021000 GASKET-- | 1 |
| 34 | E48344-4 CORD,POWER-- 18-3,SJT,BLK,35 | 1 |
| 35 | 0115038000 PROTECTION PLATE-- | 1 |
| 36 | 1407027000 SCREW-- | 1 |



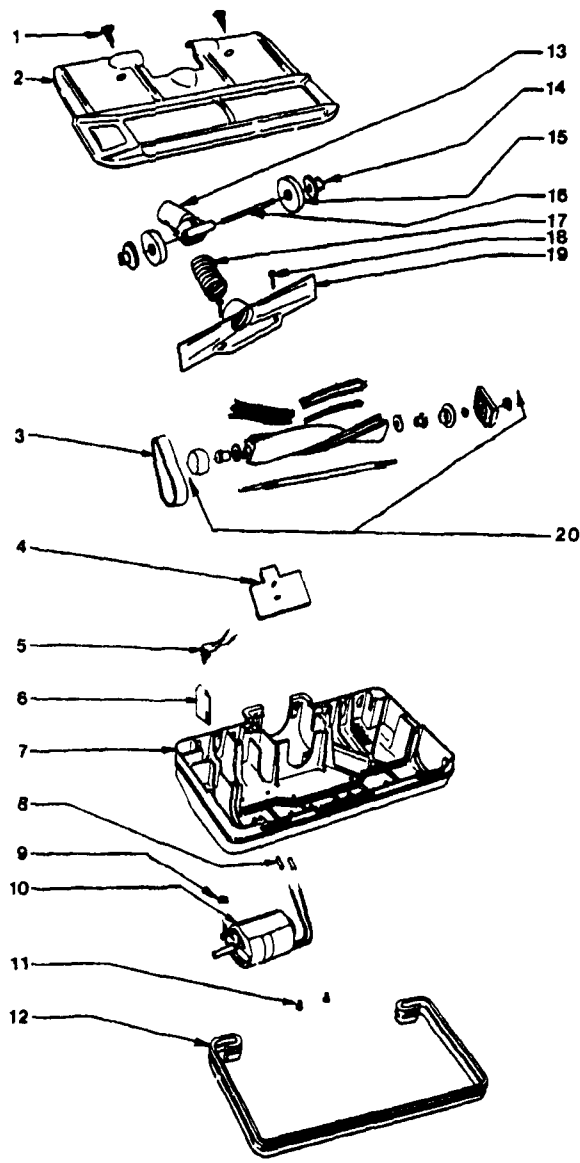
| DET PART NO. | DESCRIPTION | QUANT |
|--------------|---------------------------|-------|
| 1 E36396 | ASM,TUBE--CURVED HANDLE | 1 |
| 1 038674 | ASM,HOSE,COMPLETE--KT-150 | 1 |
| 2 1402781020 | HOSE,8 FT-- | 1 |
| 3 E35049-1 | CUFF-HOSE | 1 |
| 4 1406630000 | SLEEVE-- | 2 |
| 5 1403846000 | CUFF,COMPLETE-- | 1 |
| 6 0111659030 | OUTER SLEEVE | 1 |
| 7 0109299040 | CUFF--KT-151,150,SERVICE | 1 |



| DET PART NO. | DESCRIPTION | QUANT |
|--------------|------------------------------|-------|
| 1 0116431040 | EXTENSION TUBE--19 5IN | 2 |
| 2 0113199010 | INSERT-- | 1 |
| 3 0103098250 | NOZZLE,CREVICE--SERVICE ONLY | 1 |
| 4 0113104230 | SMALL COMBINATION NOZZLE-- | 1 |
| 5 0113090000 | COMBINATION FLOOR NOZZLE | 1 |
| 6 0115457000 | PLUSH PLATE-- | 2 |

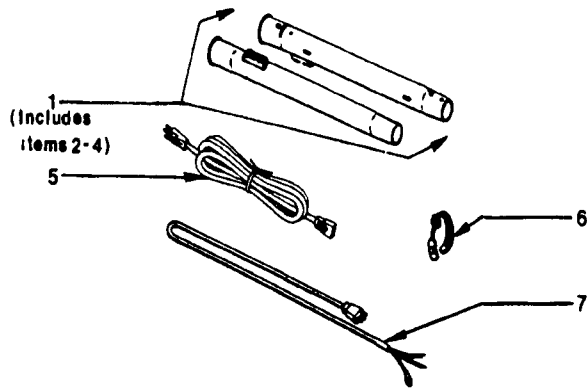


| DET | PART NO. | DESCRIPTION | QUANT |
|-----|------------|----------------|-------|
| 1 | 0931807000 | COVER-- | 1 |
| 2 | 0931808000 | SLIDE-- | 1 |
| 3 | 0931809000 | BRUSH HOLDER-- | 1 |
| 4 | 0931810000 | BRUSH INSERT | 1 |
| 5 | 0931811000 | SPRING-- | 2 |
| 6 | 0931812000 | GLIDE PLATE-- | 1 |
| 7 | 7295287010 | SCREW-- | 2 |
| 8 | 0931813000 | PLUSH PLATE-- | 1 |
| 9 | 7296281010 | SCREW-- | 2 |

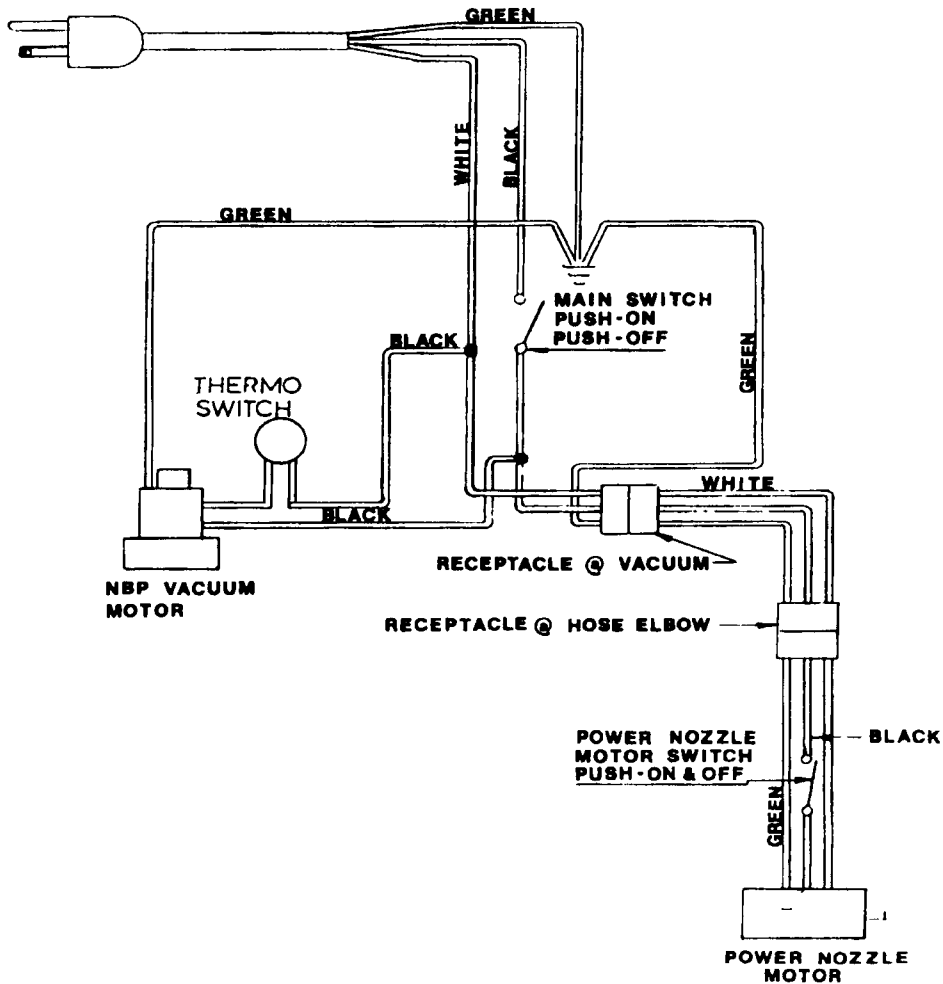
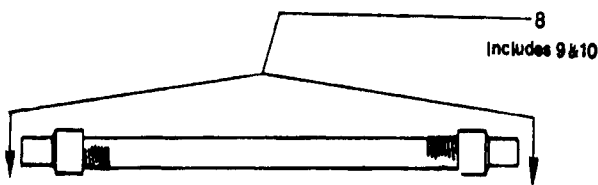


| DET PART NO. | DESCRIPTION | QUANT |
|--------------|---|-------|
| 1 | 003440 SCR TPG F PAN H 8-BTX 500L | 2 |
| 2 | E25788A ASM,SOLE PLATE--SERVICE ITEM | 1 |
| 3 | E37491 OBS,REPLACED BY E36995 | 1 |
| 4 | E36680A COVER--GROUNDING,KT151,PV1000 | 1 |
| 5 | E24760-4 SWITCH | 1 |
| 6 | E49110A GUARD,BELT--POWERHEAD ASM | 1 |
| 7 | E13286B-3 OBS,REPLACED BY E13286C-3 | 1 |
| 8 | 222244 NUT,WIRE--IDEAL 71B | 3 |
| 9 | 003274 NUT,HEX-- 6-32,ZN PLT | 1 |
| 10 | 038883 OBS,REPLACED BY E26217 | 1 |
| 11 | 002398 SCR MACH PAN HD 8-32X 250L | 2 |
| 12 | E36237A-2 GUARD,FURNITURE--SERVICE ONLY | 1 |
| 13 | E37326-2 OBS,REPLACED BY E36769-5 | 1 |
| 14 | E55505 BRG--KT SERIES POWERHEAD,SRVCE | 2 |
| 15 | E36555-1 WHEEL--2 25DIA, 260BORE, 558HB | 2 |
| 16 | E48334 AXLE | 1 |
| 17 | E25167-1 ASM,HOSE,COMPLETE--KT-150 | 1 |
| 18 | 003439 SCR TPG F PAN HD 8-BTX 500L | 2 |
| 19 | E12578B-1 DIVIDER,INLET--KT151,PV1000 | 1 |

| DET PART NO. | DESCRIPTION | QUANT |
|--------------|---------------------------------------|-------|
| 20 | E25700B ASM,DISTRIBUTOR SVC-- | 1 |
| 21 | E37114 PULLEY--KT151,PV1000 | 1 |
| 22 | E25918 SHAFT-DISTURBULATOR | 1 |
| 23 | E49865 SPACER--SERVICE ITEM | 1 |
| 24 | E25699A ASM,DISTURBULATOR--BEARING | 2 |
| 25 | E35664B BEATER BAR-SHORT | 1 |
| 26 | E35895-1 SUPPORT-BEATER BAR SHORT | 1 |
| 27 | E49175A NUT,HEX,LOCK--KT151,PV1000 | 1 |
| 28 | E35665B BAR-BEATER LONG | 1 |
| 29 | E35895-2 SUPPORT-BEATER BAR LONG | 1 |
| 30 | E36558A COVER-PLATE | 2 |
| 31 | E49145 RING,RTNG--EXT. 250 SHAFT,5304 | 1 |
| 32 | E49436 BSHG,SLV-- 663OD 313ID 500L PL | 1 |
| 33 | E25743 ASM,BRISTLE STRIP--LONG,KT151 | 1 |
| 34 | E13173 EXTRUSION--DISTRIBUTOR,KT151 | 1 |
| 35 | E49435 COUPLING-DRIVE | 1 |
| 36 | E25744 ASM--BRISTLE STRIP,SHORT,KT151 | 1 |
| 37 | E49500A WSHR FLT 255ID 437OD 062T STL | 2 |



| DET | PART NO. | DESCRIPTION | QUANT |
|-----|----------|--------------------------------|-------|
| 1 | E36879-2 | ASM--STRAIGHT WAND & SPRING | 2 |
| 2 | E13466 | WAND--STRAIGHT,KT151,PV1000 | 1 |
| 3 | E49504 | RIVET--SHOULDER,KT151,PV1000 | 1 |
| 4 | E25986-2 | CHANNEL,CORD--KT151,PV1000 | 1 |
| 5 | E25414-2 | CORD,POWER--18-3,SVT,BLK,EXTSN | 1 |
| 6 | E35708-3 | STRAP-SUPPLY CORD LOCATOR | 10 |
| 7 | E25415-2 | CORD,POWER--18-3,SVT,BLK,46IN | 1 |
| 8 | 032547 | ASM,HOSE--VAC | 1 |
| 9 | E36472-1 | CUFF | 2 |
| 10 | 051134 | HOSE 5' LONG | 1 |



NOTES

THE KENT LIMITED WARRANTY

Your Kent equipment which has been manufactured, tested, and inspected in accordance with carefully specified engineering requirements, is warranted to be free from defects in material and workmanship. This warranty is, however, subject to the following qualifications, conditions, and limitations which are set forth to provide you and all users of the equipment with information concerning the duration, extent, availability, and applicability of the Kent limited warranty, the procedure to be taken to obtain its performance, and other information concerning the Kent warranty policy.

The Kent Limited Warranty is extended to the original end user as follows

All Kent cord electric machines with the exception of upright and two motor upright vacuums have a three year warranty on parts, and one year labor coverage. Upright and two motor upright vacuums have a one year parts and labor warranty. Motor and gear unit assemblies on 175 RPM Floor Machines carry a warranty of five years. Poly components carry a ten year replacement warranty with one year service labor. This warranty will not cover damage attributable to the following:

- Improper, unreasonable or negligent use or abuse of the equipment
- : Use of the equipment with hot water (over 130 deg F , 54 deg C)
- : "Warpage", "Creepage", or "Distortion" of the part so long as the same does not interfere with normal operation
- : Abrasions or punctures of the equipment

The start date of the warranty coverage shall be the date the machine was shipped from the factory, or with proof of purchase, the purchase date of the original end user. The start date of the warranty shall not exceed one year from the ship date from the factory.

Parts of Kent Equipment not covered by the Kent Limited Warranty

Certain parts of Kent Equipment require replacement in the ordinary course of use due to normal wear by reason of their characteristics. These are normal wear items such as cords, squeegee blades, belts, gaskets, bumpers, carbon brushes, filters, hoses, bags, padholders, brushes, etc.

Exceptions and Exclusions from Warranty

This equipment is required to be used on electric current as indicated on the dataplate. Otherwise damage, defects, malfunctions or other failures of the equipment arising from the use on electric current not as indicated are excepted and excluded from this warranty. Defects, malfunctions, failure, or damage of the equipment caused by improper care, unreasonable or negligent use or abuse of the equipment are likewise excluded from this warranty. If repair is done to the equipment by anyone other than those designated as authorized to perform such work without having obtained factory authorization in writing, the Kent Company at its sole option, may determine that this warranty will not apply and that reimbursement for such repair will not be made because of the failure to comply with such factory instructions.

Procedure to be taken to obtain performance of warranty repair

To secure repair of the equipment or any warranted parts under this warranty, the following procedure must be taken. The inoperative equipment or warranted parts together with satisfactory evidence of the purchase date, must be delivered, with shipping and delivery charges prepaid, to one of the following:

- : The dealer from whom purchased
- : Any Kent distributor's service department in the United States
- : Any Kent authorized service station in the United States

If you are unable to locate any of the foregoing, you may write or otherwise communicate with The Kent Company for instructions before repair service is performed by anyone else. In such event, The Kent Company will provide either the location of a Kent authorized service department or other factory instructions. In the event that no local service department is available, Kent at its discretion will repair or replace the part or equipment at the factory, the products will be returned to the owner freight prepaid. No warranty will be honored without proof of purchase, the model number, and serial number if applicable.

Replacement

In the event of a defect, malfunction, or failure of your Kent equipment or any warranted part to conform with this warranty, The Kent Company may, at its sole option and own expense, replace the equipment or any warranted part with another new identical or reasonably equivalent model or part in lieu of repairing the defect.

No refund of purchase price

The Kent Company will not, as a matter of its warranty policy, refund the customer's purchase price.

Warranty registration

Your Kent Company distributor from whom you purchased your equipment is responsible for the registration of your warranty with the factory. We ask that you cooperate with your distributor in supplying the necessary information on the warranty card so that we may better serve you. Any information or questions that you may have concerning your Kent equipment or this warranty may likewise be secured from the factory. This warranty gives you specific legal rights, and you may also have other rights which vary from state to state.