



Electronic Service Manuals

This electronic document is provided as a service to our customers. We do not create the contents of the information contained in this document. Should you have detailed questions pertaining to the information contained in this document, you may contact Michco, or the manufacturer which provided the original information in this electronic deliverable. Michco's only part in this electronic deliverable was the electronic assembly process.

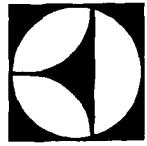
You may contact Michco through the following methods:
Phone (517) 484-9312 or (800) 331-3339 MI, OH, IN only
2011 N. High St. -- Lansing, Michigan -- 48906
Fax: (517) 484-9836
Email: CustServ@Michco.com
Web site: www.Michco.Com
Parts Web site: www.FloorMachineParts.Com

Order Parts on Line at:
www.FloorMachineParts.Com

Directly to Parts & Service:
By Email: **Shop@Michco.com**
By Fax: (517) 702-2041
By Voice: Use numbers above.

Serving the Cleaning Industry Since 1922

Notice: All copyrighted material remains property of original owners, all trademarks are property of respective owners. Manuals are subject to Manufacturer's reproduction limitations. Originals or reproductions were provided by manufacturers through a request. We make no warranty as to the correctness of information provided in this document and you assume all risk.



KENT

PARTS MANUAL

FOR COMMERCIAL USE ONLY
FLOOR MACHINE

SelectGloss KF-2019B



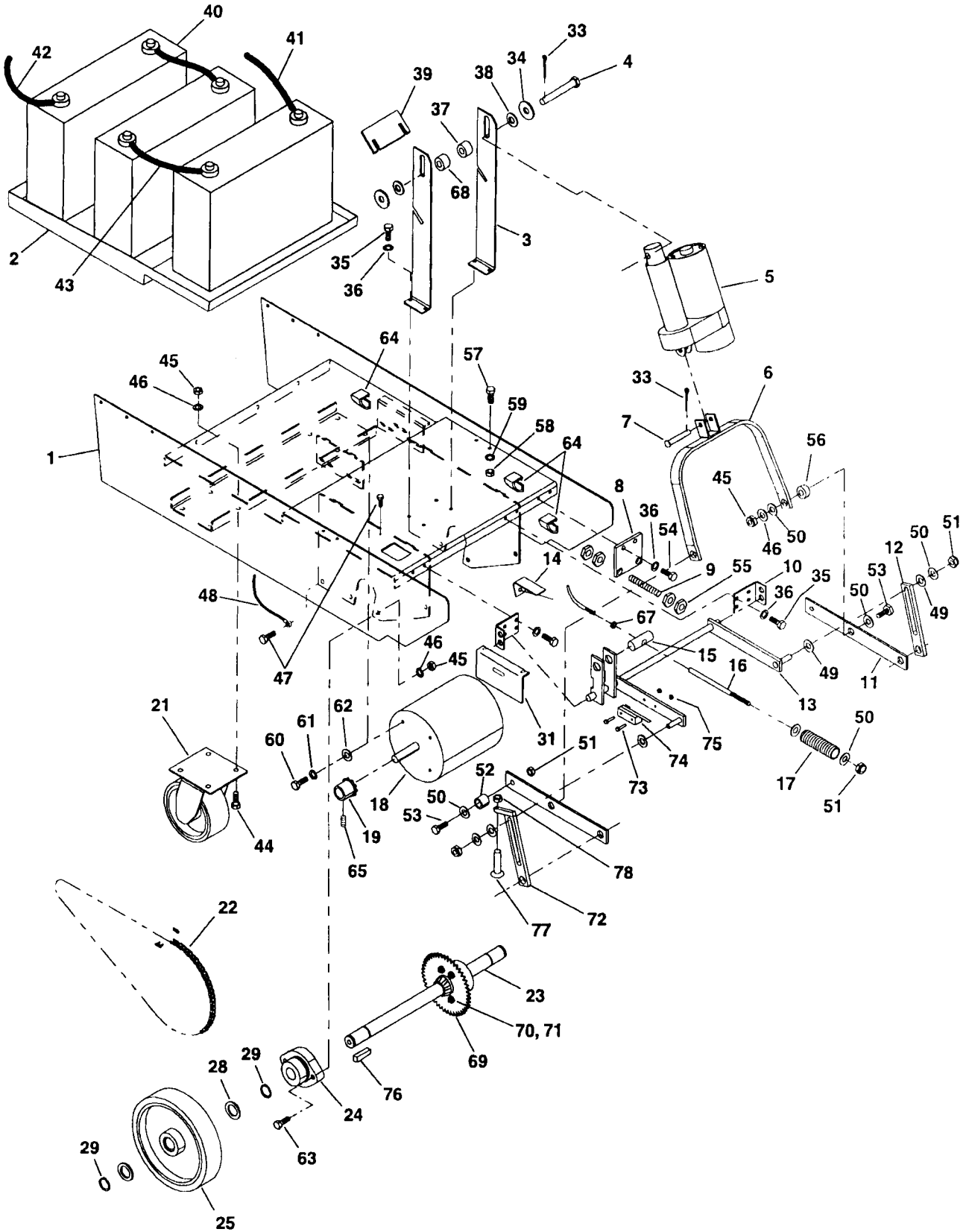
EDITION 2
FEBRUARY 1997
083455P-1

THE KENT COMPANY • 2310 INDUSTRIAL PARKWAY • P O BOX 1665 • ELKHART, IN 46515, U S A
TEL: (219)293-8661 • (800)334-1083 • FAX: (219)295-8610

SPECIFICATIONS

Controls:	Main Power Switch, Push Activated Control Handle, Variable Speed Control Knob, Pad Head Control Switch, Pad Head Pressure Adjustment Knob, Pad Driver Motor Ammeter, Pad Head Position Sensor Switch, Pad Driver Motor Circuit Breaker, Pad Drive Motor Brush Wear Indicator, Dust Control Vacuum Switch, Dynamic Braking System Circuit Breaker.
System Voltage:	36 VDC
Motor, Traction Drive:	.20 HP, 6 amp max., 340 RPM, 56 frame
Motor, Pad Drive:	2.5 HP, 65 amp max., 2000 RPM, 66 frame (direct drive)
Motor, Vacuum:	2 Stage 10.6 amps max.
Pad Driver:	19" flexible
Pad Holder:	Screw-On with positive-lock
Pad Pressure:	0-25 lbs, manually adjustable from Operators Control Panel
Pad Cover:	Molded Polyethylene
Burnishing Width:	19" full pad width
Wheels, Drive:	Two 8 inch diameter solid aluminum hub with polyurethane tread
Wheels, Castor:	Two 5 inch diameter plate swivel castors with polyurethane tread
Frame:	11 ga. Steel; formed, welded, epoxy powder coated
Battery Cover:	Molded High Density Polyethylene
Noise Level:	78 dB (A) including vacuum motor
Recommended Batteries:	Three 12 volt, 185 ah; single universal post
Dimensions:	
Height (overall):	40.5 in.
Handle to Floor:	39 in.
Length (overall):	58 in.
Width (overall):	22.5 in.
Weight (With Batteries):	490 lbs.

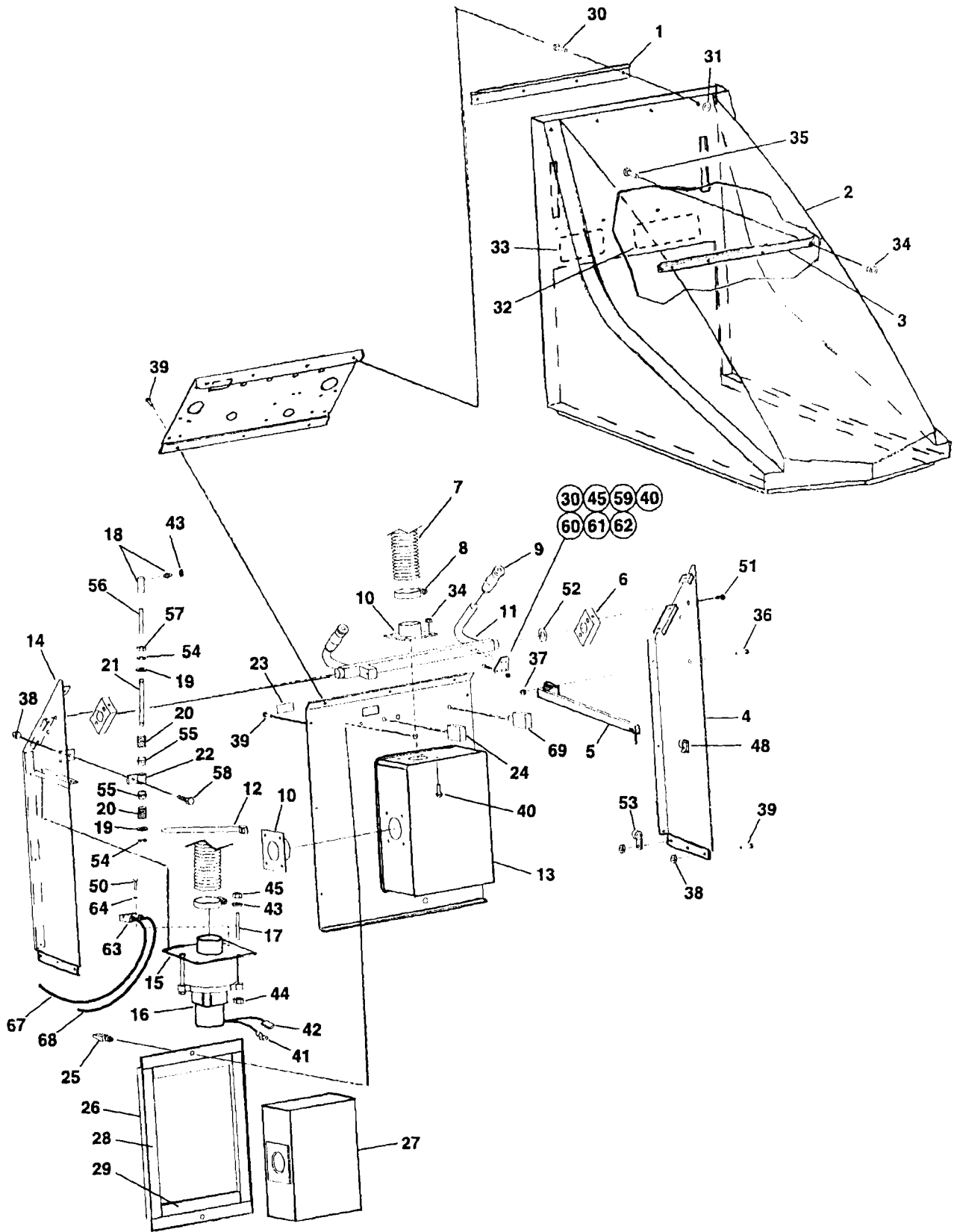
LOWER FRAME & DRIVE ASSEMBLY



LOWER FRAME & DRIVE ASSEMBLY PARTS LIST

DET.	PART NO.	DESCRIPTION	QUANT.	DET.	PART NO.	DESCRIPTION	QUANT.
1	G693200	FRAME,MAIN—	1	41	026219-3	BATT. CABLE,4GA—30.0L,RED	1
2	G698900	TRAY,BATTERY—	1	42	026219-2	BATT. CABLE,4GA—18.0L,BLACK	1
3	G690801	BRACKET,PAD ACTUATOR—	2	43	026219-1	BATT. CABLE,4GA—12.0L,BLACK	2
4	G696700	PIN,CLEVIS 1/2—	1	44	G755137	3/8-16 X 3/4 HEX—	8
5	G690500	ACTUATOR,LINEAR-WITH TERMINALS	1	45	003293	NUT,HEX— .375-16,ZN PLT	14
6	G690800	BRACKET,PAD LIFT—	1	46	004214	WSHR LK .390ID.683OD.094TSPLT	14
7	G741246	PIN,CLEVIS— 3/8 X 2.0	1	47	G741179	10-24 X 1/2 PHIL SELF-TAP Z/P	3
8	G701501	TERMINAL BLOCK—	1	48	G699200	TIE,CABLE—	1
9	G741108	TERM POST STUD—	2	49	G800401	WASHER,3/8 PL,NYLON—	4
10	G690802	BRACKET,PIVOT—	2	50	005219	WSHR FLT .406ID1.00OD.071T STL	10
11	G690300	ARM,PIVOT—	2	51	G800001	NUT, 3/8-16 NYLOCK HEX, ZP—	5
12	G690301	ARM,PAD LIFT—	2	52	G698201	SPACER,STL—.406X.625,.195L	2
13	G690803	OBSOLETE REPLACED BY 35537	1	53	003262	SCR CAP HEX HD .375-16X1.00L	4
14	G690804	BRACKET,CABLE—	1	54	002253	SCR CAP HEX HD .250-20X.750L	2
15	G691400	CAM-PAD LIFT	1	55	G733336	NUT,HEX—3/8-16,BRASS	8
16	G697400	ROD,PAD ADJ.—	1	56	G698204	SPACER,STL—.406X.625,.460L,Z	2
17	G698300	SPRING,.97 O.D.—	1	57	005267	SCR MACH FLAT HD .250-20X.625L	2
18	G695202	MOTOR,TRAV—36V	1	58	005479	NUT,HEX LOCK—.250-20,NYLOC,ZN	2
19	G697901	SPROCKET,10T—	1	59	004228	WSHR LK .518ID.873OD.125TSPLT	2
20				60	003244	SCR CAP HEX HD .312-18X.750L	3
21	G733391	CASTER, 5" POLY SWIVEL—	2	61	004212	WSHR LK .326ID.586OD.078TSPLT	3
22	G692400	CHAIN,DRIVE—	1	62	G733351	5/6" PL WASHER—	3
23	057598	DIFFERENTIAL DRIVE,SELECTGLOSS	1	63	003264	SCR CAP HEX HD .375-16X1.25L	4
24	G691000	BEARING—FLANGE	2	64	G721213	CLAMP WIRE/HOSE—	3
25	057563	WHEEL,8.0DIA,1.00ID,POLY TRD	2	65	005276	SCR SET CUP PT .250-20X.250L	4
26	004330	WSHR FLT 1.05ID1.50OD.036T STL	4	66	G755218	1/4-28 HEX NUT	1
27	048537	RING,RTNG—EXT,.984 SHAFT,5160	4	67	057618	SPACER,VINYL—.50ID,.75OD,.94L	1
28				68	057596-1	SPROCKET #35,45T—PLATE,2.13ID	1
29				69	003349	NUT,HEX—.312-18,ZN PLT	4
30				70			
31	G726029	SUPPORT, TRAV. MOTOR—	1	71	004212	WSHR LK .326ID.586OD.078TSPLT	4
32	G733352	PIN,COTTER—.125 X 1.25 LONG	2	72	035536	WDMT,PAD LIFT ARM	1
33	004491	WSHR FLT .500ID1.37OD.109T	2	73	005261	SCR MACH RD HD 6-32X1.25L	2
34	G741159	1/4-20 X 1/2 HEX—	8	74	026603	SWITCH,LVR—SPDT,20A,125-250V	1
35	002278	WSHR LK .262ID.489OD.062TSPLT	10	75	003361	NUT,HEX LOCK— 6-32,NYLOC	2
36	G698200	SPACER,VINYL—.50ID,.75OD,.28L	1	76	056527	KEY,SQUARE—.250SQ,1.50L	2
37	111625	WSHR FLT .500ID1.50OD.062T NYL	4	77	001257	SCR MACH FLAT HD 8-32X1.25L	1
38	G697903	SUPPORT,LIFT BRACKET—	1	78	003276	NUT,HEX— 8-32,ZN PLT	1
39	026959	BATTERY—PKG OF 3,WET,185AH,12	1				

UPPER FRAME & HOOD ASSEMBLY

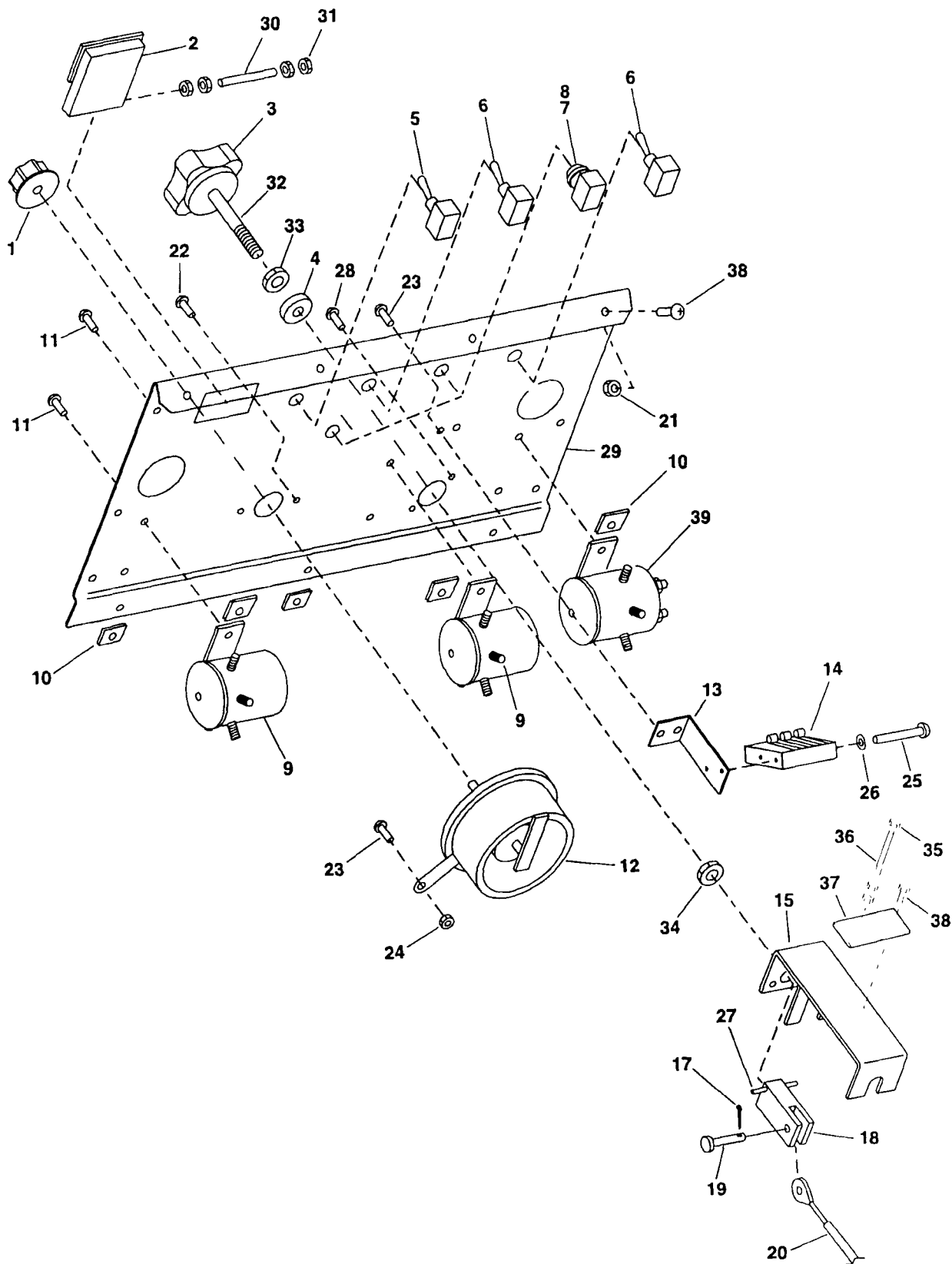


TM-1721

UPPER FRAME & HOOD ASSEMBLY PARTS LIST

DET.	PART NO.	DESCRIPTION	QUANT.	DET.	PART NO.	DESCRIPTION	QUANT.
1	G694400	HINGE,2"—	1	33	G695101	LABEL,BATTERY DIAGRAM—	1
2	057601-1	HOOD,SELECTGLOSS—E/E	1	34	003279	NUT,HEX— 10-24,ZN PLT	12
3	G697905	SUPPORT,HOOD—	1	35	G733365	10-24 X 1/2 PHIL PAN, M/S 18-8	4
4	G726027	SUPPORT,L.H. REAR PNL	1	36	G733376	3/8-16 X 1 R SLT—	1
5	G691300	BRACE—HOOD	1	37	G800001	NUT, 3/8-16 NYLOCK HEX, ZP—	1
6	G726054	SUPPORT,HANDLE—	2	38	005479	NUT,HEX LOCK— 250-20,NYLOC,ZN	7
7	G694100	HOSE,GRY VINYL-2 0IDx14 0L	1	39	001512	SCR MACH RD HD 250-20X 75L,SS	6
8	G726056	CLAMP,2" HOSE—	2	40	G741179	10-24 X 1/2 PHIL SELF-TAP Z/P	16
9	G741158	HANDLE GRIPS—	2				
10	G726083	ADAPTER,VAC HOSE—	3	41	G741189	3/8 RING TERM FULLY INŞUL 16/1	1
				42	G759202	CONNECTOR, 250 X 032 FEMALE—	1
11	G693902	ASM,HANDLE—CONTROL	1	43	002278	WSHR LK 262ID 489OD 062TSPLT	9
12	G699200	TIE,CABLE—	1	44	002253	SCR CAP HEX HD 250-20X 750L	5
13	057600	REAR PANEL, SELECTGLOSS	1	45	003283	NUT,HEX— 250-20,ZN PLT	9
14	G726026	SUPPORT,R H REAR PNL	1	50	001248	SCR MACH RD HD 6-32X1 00L	2
15	G726037	SUPPORT, VAC MOTOR—	1				
16	G695201	MTR,VAC—	1	51	G755158	5/16-18 X 1"SH MT SC—	4
17	G697902	STANDOFF, 2.218—	3	52	G721193	49/64 X 1-3/16 WASHER—	2
18	G755157	SWIVEL BALL JOINT—	1	53	046642	CLAMP,LOOP— 875DIA,VINYL COAT	1
19	005219	WSHR FLT .406ID1 00OD 071T STL	2	54	004382	RING,RTNG—EXT, 375 SHAFT,E'	2
20	G755249	SPRING,COMP	2	55	G755250	BUSHING,CENTER—	2
				56	G755259	1/4-28 X 1-1/2 SET—	1
21	G757203-1	ROD,CENTERING—	1	57	G755218	1/4-28 HEX NUT	1
22	G755253	TUBE,CENTERING—	1	58	002254	SCR CAP HEX HD 250-20X 875L	1
23	G726119	DECAL, CIRCUIT BREAKER—	1	59	G733341	WSHR LK #10 STD	2
24	G702311-3	CIRCUIT BREAKER,70 AMP—	1	60	G726136	SCR 1/4-20X1-1/2 FLAT HD PHIL	1
25	G695100	LATCH,VAC DOOR—	2				
26	G692300	COVER—VAC BAG	1	61	G701102	BACKER LAT SPRG—	1
27	G690600	BAG,DUST—	1	62	G690501	PLATE,SWITCH ACTUATOR	1
28	G693400	GASKET,VAC COVER- 50x 50x13 5	2	63	026573	CHARGER PLUG—ANDERSON CON	1
29	G693401	GASKET,VAC COVER- 50x 50x9 5	2	64	004250	WSHR LK 148ID 250OD 031TSPLT	2
30	002467	SCR MACH PAN HD 250-20X1 25L	4	67	G741319	LEAD-CHG PLUG (BLACK)—	1
				68	G741320	LEAD-CHG PLUG (RED)—	1
31	G721241	WELL NUT, 1/4-20—	4	69	027151	CIRCUIT BREAKER—5AMPS,VDE APP	1
32	G755333	DECAL, CAUTION—	1				

CONTROL PANEL ASSEMBLY

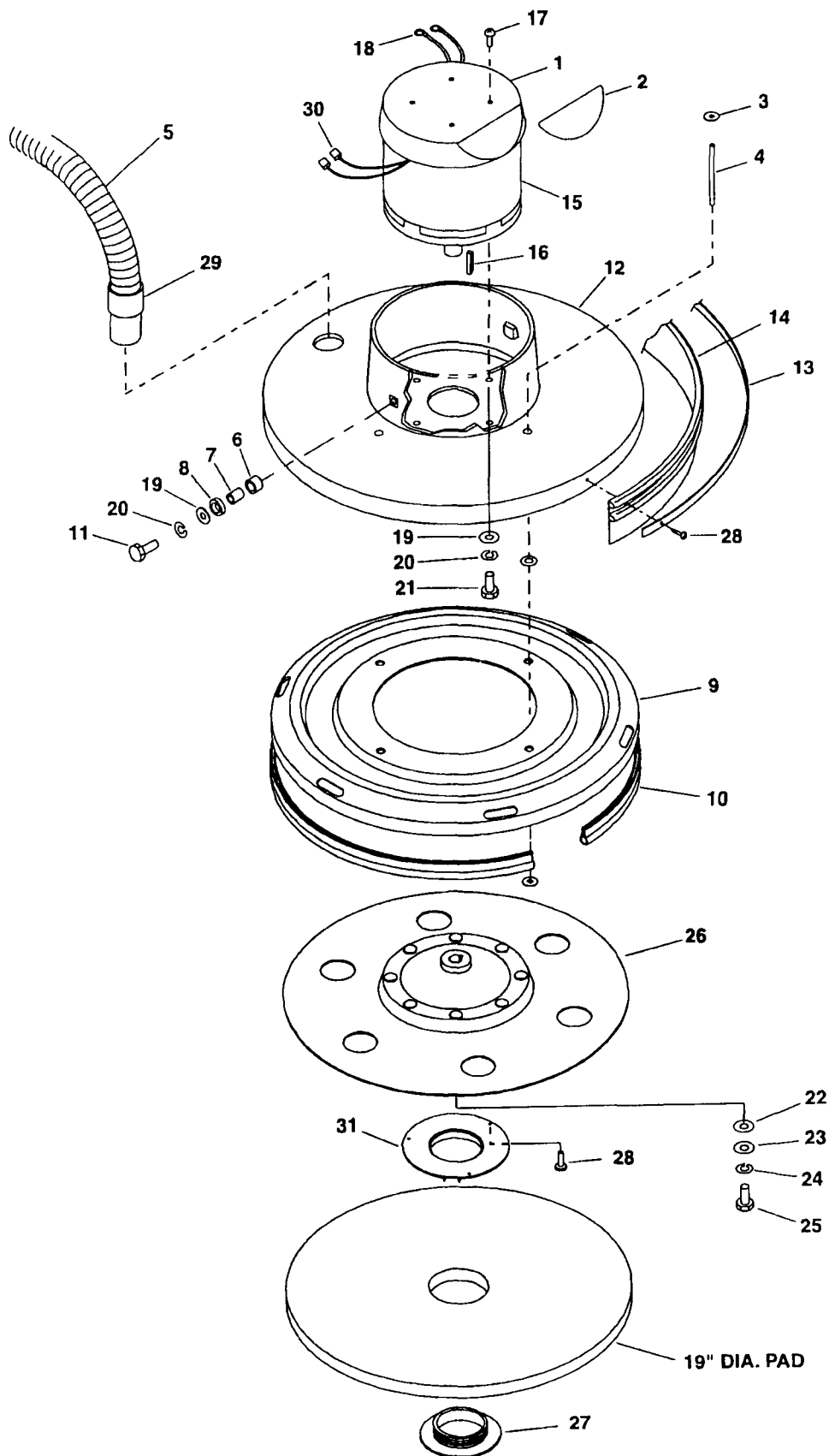


TM-1722

CONTROL PANEL ASSEMBLY PARTS LIST

DET.	PART NO.	DESCRIPTION	QUANT.
1	G726059	KNOB—	1
2	G695600	METER,AMP—	1
3	G695000	KNOB—	1
4	G691002	BEARING,3/8 THRUST—	1
5	G755299	SWITCH,TOG—DPDT,15A	1
6	G741136	SWITCH,TOGGLE—SPST	2
7	G741137	PILOT LIGHT—	2
9	G741200	SOLENOID—	2
10	003366	NUT,SPEED,U— 250-20, 50X 97	9
11	G733350	1/4-20 X 1/2 PAN PHIL SS—	15
12	026217	RHEOSTAT,15 OHM,150 WATT	1
13	G726038	BRACKET—TRAVERSE SWITCH	1
14	G755238	SWITCH,CHERRY—	3
15	G697904	SUPPORT,CABLE—	1
17	222607	PIN,COTTER— 062X .500 LONG	2
18	G692402	COUPLING,SOL CABLE—	1
19	G726063	PIN,BRUSH LIFT—	1
20	G692401	CABLE,PAD ADJ.—	1
21	003283	NUT,HEX— 250-20,ZN PLT	4
22	001366	SCR MACH PAN HD 10-32X 500L	2
23	G733365	10-24 X 1/2 PHIL PAN, M/S 18-8	4
24	003279	NUT,HEX— 10-24,ZN PLT	2
25	G800109	SCREW,#6-32 X 2-1/4 RND HD SLT	2
26	004250	WSHR LK .148ID 250OD 031TSPLT	2
27	G733366	1/8" X 1" ROLL PIN—	1
28	G741179	10-24 X 1/2 PHIL SELF-TAP Z/P	2
29	057599	CONTROL PANEL, SELECTGLOSS	1
30	G697401	ROD,METER CONN —	1
31	003280	NUT,HEX— 10-24,BRASS	4
32	G800110	SCR,3/8-16 X 3"SKT,SET,CUP PT	1
33	003293	NUT,HEX— 375-16,ZN PLT	1
34	G800001	NUT, 3/8-16 NYLOCK HEX, ZP—	1
35	G733336	NUT,HEX—3/8-16,BRASS	3
36	G741108	TERM POST STUD—	1
37	G699201	TERMINAL BLOCK—	1
38	002480	SCR MACH PAN HD .250-20X 625L	6
39	026713	SOLENOID,DPDT—SWITCH,36V	1

PAD HEAD ASSEMBLY

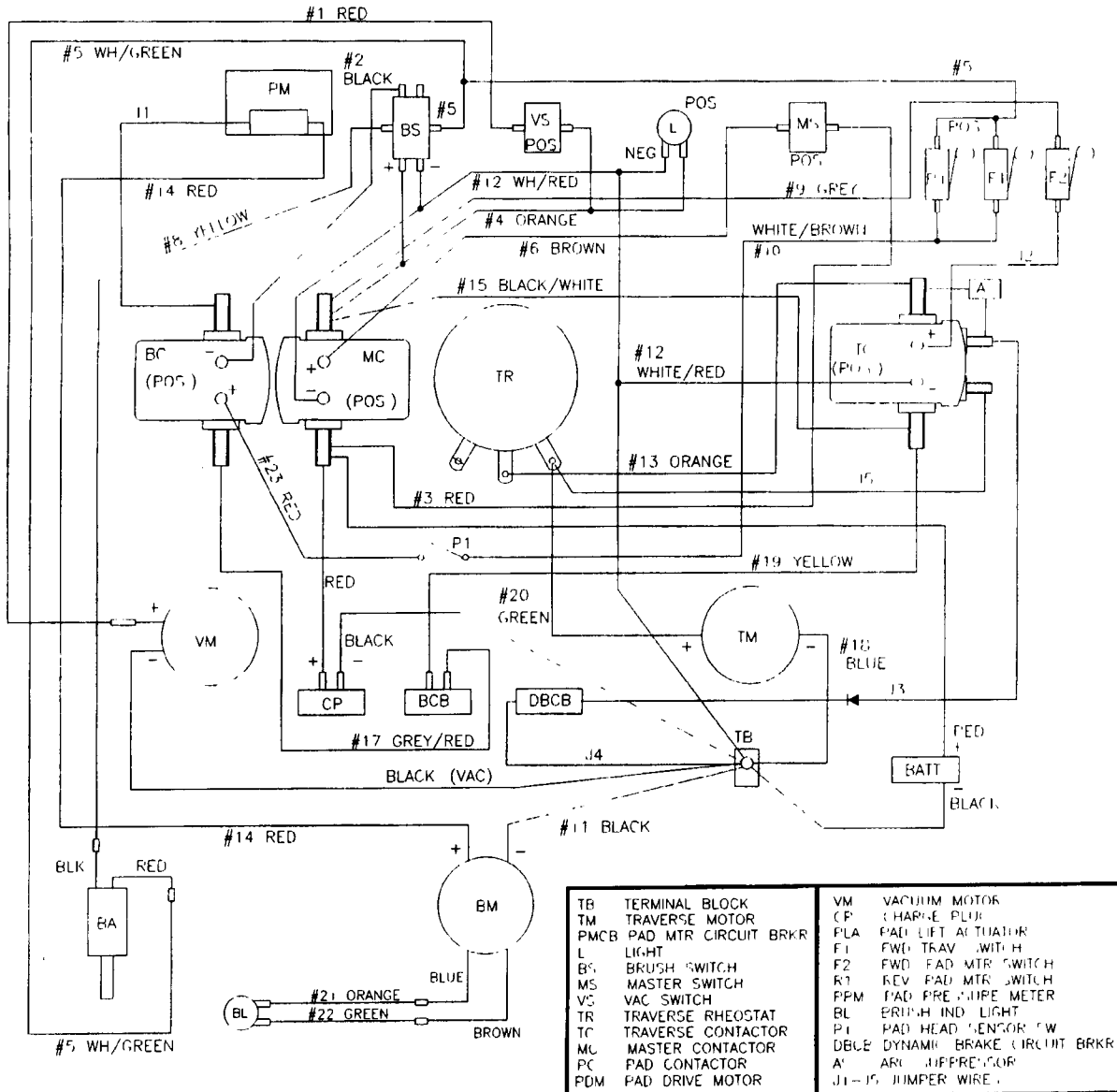


TM-1723

PAD HEAD ASSEMBLY PARTS LIST

DET.	PART NO.	DESCRIPTION	QUANT.
1	G692301	COVER,MOTOR DRIP—	1
2	G695102	LABEL,PAD DIAMETER—	1
3	G727201	RECEIVER—3/8 STUD	12
4	G693800	GUIDE—PAD COVER	4
5	G694101	HOSE,BLK VINYL—1 50IDX60L	1
6	G698205	SPACER,STL— 640X1 00, 260L	2
7	G698202	SPACER,STL— 406X 625, 812L,Z	2
8	G800402	WASHER,CURVED—	2
9	G697800	SHIELD—PAD	1
10	G697600	SEAL,PAD-66 0L	1
11	003265	SCR CAP HEX HD 375-16X1 50L	2
12	G694200	HOUSING,PAD DRIVER—	1
13	G697200	RETAINER,BUMPER—	1
14	G691200	BUMPER-PAD HSG,2 88X67 38L	1
15	G695200	MOTOR,PAD DRIVER—	1
16	040407	KEY,SQUARE— 187 SQ,1 00 LONG	1
17	G741179	10-24 X 1/2 PHIL SELF-TAP Z/P	4
18	G699202	TERMINAL,3/8 RING—	2
19	005219	WSHR FLT 406ID1 00OD 071T STL	6
20	004214	WSHR LK 390ID 683OD 094TSPLT	6
21	G755137	3/8-16 X 3/4 HEX—	4
22	G721193	49/64 X 1-3/16 WASHER—	1
23	G733351	5/6" PL WASHER—	1
24	004212	WSHR LK 326ID 586OD 078TSPLT	1
25	G800106	SCREW,5/16-24 X 3/4 HEX HD—	1
26	G692700	DRIVER,PAD—	1
27	039577	CLAMP,PLASTIC—4 8OD,2 9ID,RH	1
28	002382	SCR TPG F PAN HD 10-10X.500L	11
29	055989	CUFF,HOSE—1 5,BLACK	2
30	R01031	TERM,QD—MALE, 250	2
31	039576	RING,PLASTIC—6 0OD,3 0ID,RH	1
*	036643	Head Assembly	1

WIRING DIAGRAM



TM-1724

WIRING LEGEND LIST

DET.	PART NO.	DESCRIPTION	QUANT.	DET.	PART NO.	DESCRIPTION	QUANT.
TB	G701501	TERMINAL BLOCK	1	PLA	G690500	ACTUATOR, LINEAR-WITH TERM	1
TM	G695202	MOTOR, TRAV-36V	1	F1	G755238	SWITCH, CHERRY	1
PMCB	G702311-3	CIRCUIT BREAKER, 70 AMP	1	F2	G755238	SWITCH, CHERRY	1
L	G741137	PILOT LIGHT	2	R1	G755238	SWITCH, CHERRY	1
BS	G755299	SWITCH, TOG—DPDT, 15A	1	PPM	G695600	METER, AMP	1
MS	G741136	SWITCH, TOGGLE—SPST	1	BL	G741137	PILOT LIGHT	1
VS	G741136	SWITCH, TOGGLE—SPST	1	DBCB	027151	CIRCUIT BREAKER—5AMPS	1
TR	026217	RHEOSTAT, 15 OHM, 150 WATT	1	AS	026214	ARC SUPPRESSOR	1
TC	026713	SOLENOID, DPDT—SWITCH, 36V	1	P1	026603	SWITCH, LVR—DPST, 20A, 125-250V	1
MC	G741200	SOLENOID	1	J1	G800602	ASM, LEAD—8GA BLK, 7.5" L, METOR	1
PC	G741200	SOLENOID	1	J2	G726096	ASM, WIRE—26	1
PDM	G695200	MOTOR, PAD DRIVER	1	J3	026215	ASM, WIRE, 14GA--16" L	1
VM	G695201	MOTOR, VAC	1	J4	026216-1	ASM, WIRE, 14GA--12" L	1
CP	026573	CHARGER PLUG—ANDERSON	1	J5	026216-2	ASM, WIRE, 14GA--18" L	1
					026218	WIRE HARNESS, SELECTGLOSS	1

TM-1724A