



Electronic Service Manuals

This electronic document is provided as a service to our customers. We do not create the contents of the information contained in this document. Should you have detailed questions pertaining to the information contained in this document, you may contact Michco, or the manufacturer which provided the original information in this electronic deliverable. Michco's only part in this electronic deliverable was the electronic assembly process.

You may contact Michco through the following methods:
Phone (517) 484-9312 or (800) 331-3339 MI, OH, IN only
2011 N. High St. -- Lansing, Michigan -- 48906
Fax: (517) 484-9836
Email: CustServ@Michco.com
Web site: www.Michco.Com
Parts Web site: www.FloorMachineParts.Com

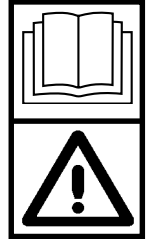
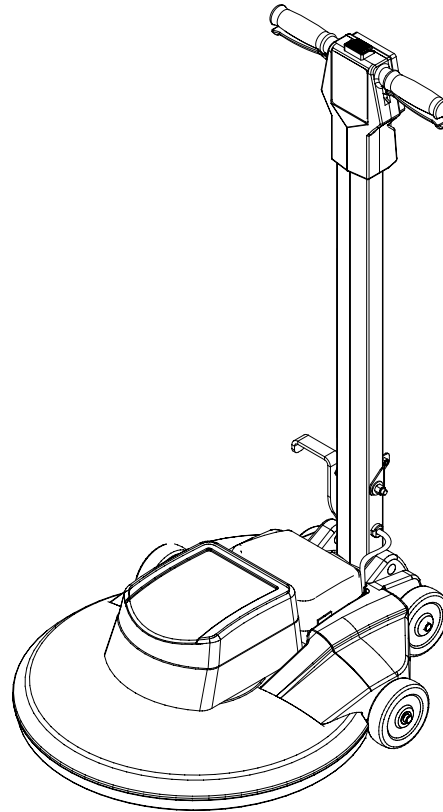
Order Parts on Line at:
www.FloorMachineParts.Com

Directly to Parts & Service:
By Email: **Shop@Michco.com**
By Fax: (517) 702-2041
By Voice: Use numbers above.

Serving the Cleaning Industry Since 1922

Notice: All copyrighted material remains property of original owners, all trademarks are property of respective owners. Manuals are subject to Manufacturer's reproduction limitations. Originals or reproductions were provided by manufacturers through a request. We make no warranty as to the correctness of information provided in this document and you assume all risk.

DuraGloss™ 2000



OPERATOR MANUAL **Kent MODEL 56201902**

A

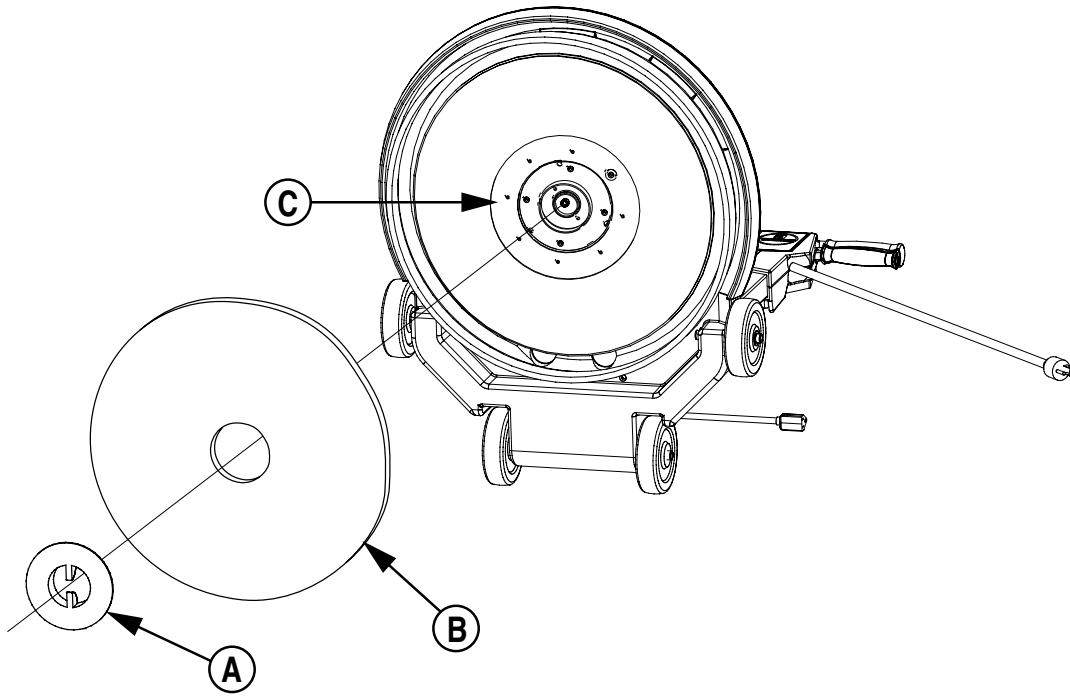
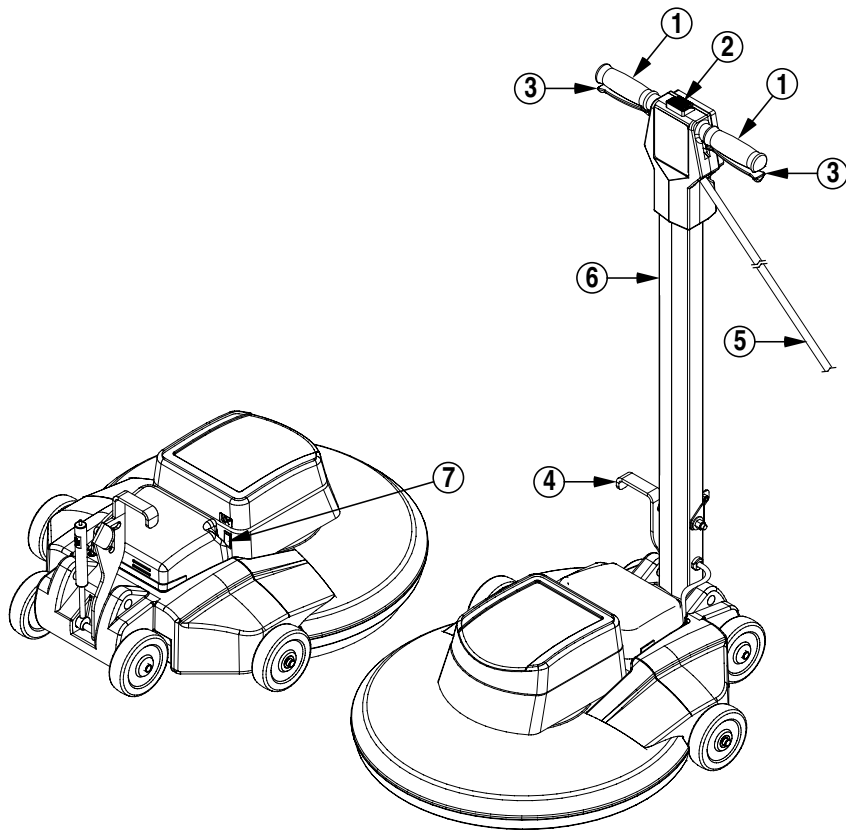


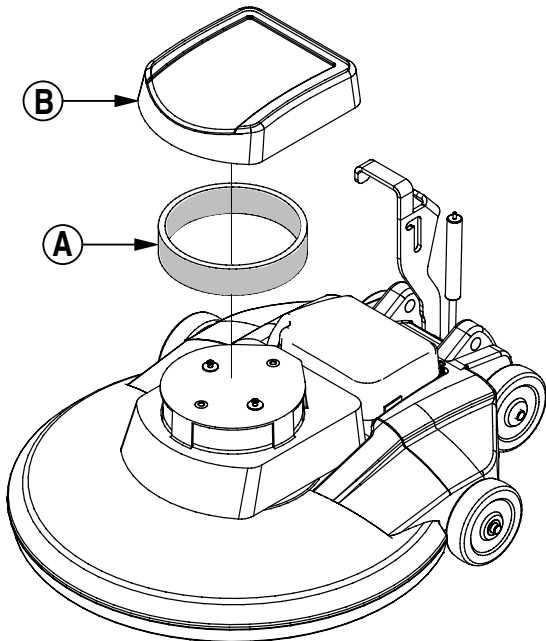
TABLE OF CONTENTS

Cautions and Warnings	3
Importantes Mesures de Sécurité	4
Grounding Instructions	5
Instructions Visant La Mise A La Terre	5
Introduction	6
Preparing The Floor	6
Preparing The Machine For Use	6
Installing The Pad	6
Know Your Machine	6
Operation	6
After Use	6
Maintenance	7
Air Filter	7
Dust Collection Bag	7
Troubleshooting	7
Technical Specifications	7

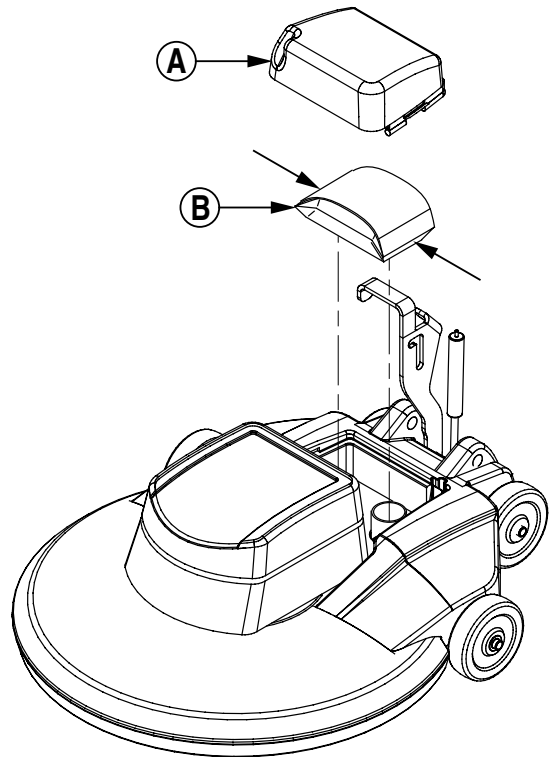
B



C



D



IMPORTANT SAFETY INSTRUCTIONS

This machine is only suitable for commercial use, for example in hotels, schools, hospitals, factories, shops and offices other than normal residential housekeeping purposes.

When using an electrical appliance, basic precautions should always be followed, including the following:

Read all instructions before using.

WARNING!

To reduce risk of fire, electric shock, or injury:

- * Do not leave the appliance when it is plugged in. Unplug the unit from the outlet when not in use and before servicing.
- * To avoid electric shock, do not expose to rain. Store indoors.
- * Do not allow to be used as a toy. Close attention is necessary when used by or near children.
- * Use only as described in this manual. Use only manufacturer's recommended attachments.
- * Do not use with damaged cord or plug. If appliance is not working as it should, has been dropped, damaged, left outdoors, or dropped into water, return it to a service center.
- * Do not pull or carry by cord, use cord as a handle, close a door on a cord, or pull cord around sharp edges or corners. Do not run appliance over cord. Keep cord away from heated surfaces.
- * Do not unplug by pulling on cord. To unplug, grasp the plug, not the cord.
- * Do not handle plug or appliance with wet hands.
- * Do not put any object into openings. Do not use with any opening blocked; keep free of dust, lint, hair, and anything that may reduce air flow.
- * Keep hair, loose clothing, fingers, and all parts of body away from openings and moving parts.
- * Turn off all controls before unplugging.
- * Do not use with flammable or combustible liquids such as gasoline or use in areas where they may be present.
- * Connect to a properly grounded outlet only. See Grounding Instructions.

SAVE THESE INSTRUCTIONS

IMPORTANTES MESURES DE SÉCURITÉ

Cette machine ne convient qu'à un usage industriel, par exemple dans les hôtels, les écoles, les hôpitaux, les usines, les boutiques et bureaux et tout ce qui n'est pas pour l'entretien domestique résidentiel normal.

L'utilisation d'un appareil électrique demande certaines précautions:

LIRE TOUTES LES INSTRUCTIONS AVANT DE FAIRE FONCTIONNER (CET APPAREIL)

AVERTISSEMENT:

Pour réduire les risques d'incendie, de choc électrique ou de blessure:

- * Ne pas laisser l'appareil sans surveillance lorsqu'il est branché. Débrancher lorsque l'appareil n'est pas utilisé et avant l'entretien.
- * Pour réduire les risques de choc électrique, utiliser à l'intérieur seulement.
- * Ne pas permettre aux enfants de jouer avec l'appareil. Une attention particulière est nécessaire lorsque l'appareil est utilisé par des enfants ou à proximité de ces derniers.
- * N'utiliser que conformément à cette notice avec les accessoires recommandés par le fabricant.
- * Ne pas utiliser si le cordon ou la fiche est endommagé. Retourner l'appareil à un atelier de réparation s'il ne fonctionne pas bien, s'il est tombé ou s'il a été endommagé, oublié à l'extérieur ou immergé.
- * Ne pas tirer soulever ou traîner l'appareil par le cordon. Ne pas utiliser le cordon comme une poignée, le coincer dans l'embrasure d'une porte ou l'appuyer contre des arêtes vives ou des coins. Ne pas faire rouler l'appareil sur le cordon. Garder le cordon à l'écart des surfaces chaudes.
- * Ne pas débrancher en tirant sur le cordon. Tirer plutôt la fiche.
- * Ne pas toucher la fiche ou l'appareil lorsque vos mains sont humides.
- * N'insérer aucun objet dans les ouvertures. Ne pas utiliser l'appareil lorsqu'une ouverture est bloquée. S'assurer que de la poussière, de la peluche, des cheveux ou d'autres matières ne réduisent pas le débit d'air.
- * Maintenir les cheveux, les vêtements amples, les doigts et toutes les parties du corps à l'écart des ouvertures et des pièces mobiles.
- * Mettre toutes les commandes à la position ARRÊT avant de débrancher l'appareil.
- * Ne pas utiliser des liquides inflammables or combustibles, comme de l'essence, et ne pas faire fonctionner dans des endroits ou peuvent se trouver de tels liquides.
- * Ne brancher qu'à une prise de courant avec mise à la terre. Voir les instructions visant la mise à la terre.

CONSERVER CES INSTRUCTIONS

GROUNDING INSTRUCTIONS

This appliance must be grounded. If it should electrically malfunction, grounding provides a path of least resistance for electric current to reduce the risk of electric shock. This appliance is equipped with a cord having an equipment-grounding conductor and grounding plug. The plug must be plugged into an appropriate outlet that is properly installed and grounded in accordance with all local codes and ordinances.

⚠ DANGER!

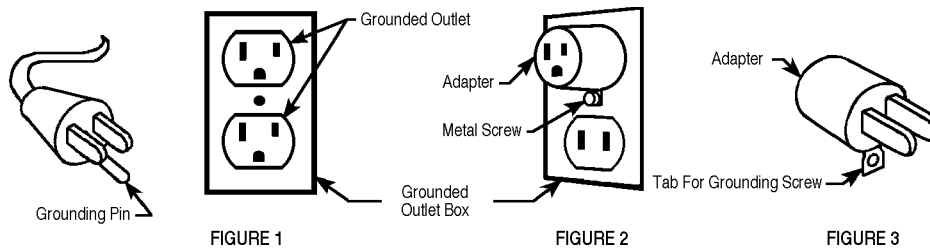
Improper connection of the equipment-grounding conductor can result in a risk of electric shock. Check with a qualified electrician or service person if you are in doubt as to whether the outlet is properly grounded. Do not modify the plug provided with the appliance. If it will not fit the outlet, have a proper outlet installed by a qualified electrician.

This appliance is for use on a nominal 120-volt circuit, and has a grounding plug that looks like the plug illustrated in Figure 1 below. A temporary adapter illustrated in Figures 2 and 3 may be used to connect this plug to a 2-pole receptacle as shown in Figure 2 if a properly grounded outlet is not available. The temporary adapter should be used only until a properly grounded outlet (Figure 1) can be installed by a qualified electrician. The green-colored rigid ear, tab, or the like extending from the adapter must be connected to a permanent ground such as a properly grounded outlet box cover. Whenever the adapter is used, it must be held in place by a metal screw. Grounding adapters are not approved for use in Canada.

Replace the plug if the grounding pin is damaged or broken.

The Green (or Green/Yellow) wire in the cord is the grounding wire. When replacing a plug, this wire must be attached to the grounding pin only.

Extension cords connected to this machine should be 12 gauge, three-wire cords with three-prong plugs and outlets. DO NOT use extension cords more than 50 feet (15 m) long.



INSTRUCTIONS VISANT LA MISE À LA TERRE

Cet appareil doit être mis à la terre. En cas de défaillance ou de panne éventuelles, la mise à la terre fournit au courant un chemin de moindre résistance qui réduit le risque de choc électrique. Cet appareil est pourvu d'un cordon muni d'un conducteur de terre et d'une fiche avec broche de terre. La fiche doit être branchée dans une prise appropriée correctement installée et mise à la terre conformément aux règlements et ordonnances municipaux.

⚠ AVERTISSEMENT !

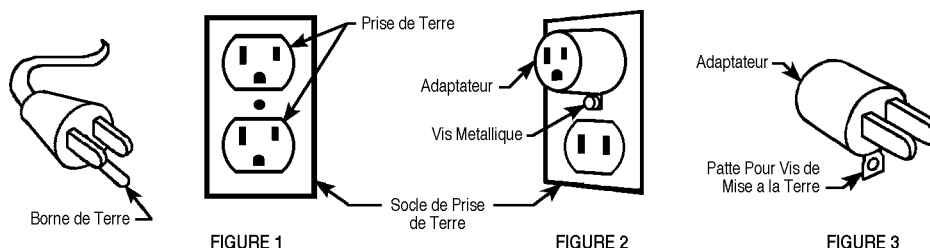
Un conducteur de terre mal raccordé peut entraîner un risque de choc électrique. Consulter un électricien ou un technicien d'entretien qualifié si vous n'êtes pas certain que la prise est correctement mise à la terre. Ne pas modifier la fiche fournie avec l'appareil - si elle ne peut être insérée dans la prise, faire installer une prise adéquate par un électricien qualifié.

Cet appareil est destiné à un circuit de 120 V et est muni d'une fiche de terre semblable à celle illustrée par le croquis 1. Un adaptateur temporaire semblable à celui illustré par le croquis 2 et C peut être utilisé pour brancher cette fiche à une prise bipolaire comme l'illustre le croquis 2 si une prise avec mise à la terre n'est pas disponible. L'adaptateur temporaire devrait être utilisé seulement jusqu'à ce qu'une prise avec mise à la terre soit installée par un électricien qualifié. L'oreille rigide ou le crochet ou autre dispositif semblable, de couleur verte, prolongeant l'adaptateur doit être raccordé à un élément correctement mis à la terre comme le couvercle d'une boîte de sortie mise à la terre. L'adaptateur doit être fixé par une vis métallique. **Note:** Au Canada, l'utilisation d'un adaptateur temporaire n'est pas autorisée par le Code canadien de l'électricité.

Remplacez la prise si la prise de terre est abîmée ou cassée.

Le fil Vert (ou Vert/Jaune) dans la gaine est le fil de terre. Lors du remplacement d'une prise, ce fil doit être raccordé à la prise de terre uniquement.

Les ralonges connectées à cette machine doivent avoir 12 mesures, trois ganses de fil ayant **trois fiches masculines féminines tree-prong plugs and outlets**. N'UTILISEZ PAS de ralonge de plus de 15 m (50 pieds) de long.



INTRODUCTION

This manual will help you get the most from your **Kent DuraGloss 2000**. Read it thoroughly before operating the machine.

This product is intended for commercial use only.

PARTS AND SERVICE

Call the DEALER named below for repair parts or service. Please specify the Model and Serial number when discussing your machine.

(Dealer, affix service sticker here)

NAME PLATE

The Model Number and Serial Number of your machine are shown on the Nameplate on the front of the motor and on top of the motor shroud under the cover. This information is often needed when ordering repair parts for the machine. Use the space below to note the Model Number and Serial Number of your machine for future reference.

MODEL NUMBER _____

SERIAL NUMBER _____

UNCRATING

When the machine is delivered, carefully inspect the shipping carton and the machine for damage. If damage is evident, save the shipping carton so that it can be inspected. Contact the Kent Customer Service Department immediately to file a freight damage claim.

PREPARING THE FLOOR

Before each use of this machine, the floor must be clean and completely dry. Clean the floor with an automatic floor scrubber or a damp mop, using a solution of water and neutral cleaner.

CAUTION!

This machine should be used only on floors that are coated with a floor finish suitable for burnishing. Contact your local Kent Distributor for further information on floor finishing products.

PREPARING THE MACHINE FOR USE

WARNING!

Moving parts - To reduce the risk of injury, unplug before servicing.

A - INSTALLING THE PAD

To install a pad, tip the machine back on its handle. Remove the Pad Retainer "A" (in the center of the pad holder) by turning clockwise to loosen. Put the proper size Pad "B" on the Pad Holder Hub "C". Re-install the Pad Retainer "A" by turning counter-clockwise to tighten.

B - KNOW YOUR MACHINE

- 1 Operator Handle Grips
- 2 Switch Lever Safety Lock Button
- 3 Switch Levers - Squeeze - ON / Release - OFF
- 4 Handle Release Latch
- 5 Power Cord
- 6 Operator Handle
- 7 Motor Brush Wear Indicator Light

OPERATION

- 1 Unwrap the Power Cord and plug it into a properly grounded outlet.
- 2 Unlatch the handle by pushing forward on the Handle Release Latch with your foot. Continue to hold latch while pulling the handle back. It is normal for the base of the machine to lift off of the floor slightly when the handle is lowered. It will pull itself down against the floor as soon as the motor is started.
- 3 Hold one of the Operator Hand Grips firmly, push the Safety Lock Button and then compress the switch levers to start the motor. NOTE: When the dual controlled switch levers are released, the machine shuts off immediately.
- 4 Push the machine forward in a straight line, at a slow walking speed. Overlap each pass about 1-3 inches (25-75 mm).
- 5 When using a polishing pad, check every 15 minutes to see if the pad is loaded up with wax and dirt. If it is, turn the pad over to expose the clean side, or install a clean pad.

AFTER USE

- 1 Lift the Handle until it locks in the upright position.
- 2 Unplug the Power Cord and wrap it around the Handle Release Latch and the right Operator Handle Grip.
- 3 Check the skirt around the dust control housing. The skirt should be replaced if it is worn out or torn.
- 4 Remove the pad from the machine. Clean the pad and hang it up to dry. Allow buffing pads to dry completely before using again.
- 5 Wipe the entire machine with a clean, damp cloth.
- 6 Inspect the entire machine and all accessories for damage. Perform any required maintenance or repairs before storage.
- 7 Store the machine in a clean, dry place with the Handle locked in the upright position.

MAINTENANCE

C - AIR FILTER

The air filter "A" on top of the motor should be cleaned at least once a week. To clean the filter, slide the motor cover "B" forward and lift up and off. Pull the filter off and wash with warm water and allow it to dry completely before putting it back on the machine (or blow clean with compressed air).

D - DUST COLLECTION BAG

The dust collection bag should be removed and replaced after about every 10 hours of use. Tip the machine back onto its handle, the same as you would if you were changing the pad. Squeeze in on the sides of the bag cover "A" and remove it from the machine. Remove the dust bag "B" (being careful not to spill any debris) and discard. Tip the machine back upright. Push in on the sides of the new bag "B" to pop-it-open and install it by pushing it down (grip the cardboard base of the bag) onto the (2) tubes protruding from the base. Re-install the cover "A".

MOTOR BRUSHES

This machine is equipped with a motor brush wear indicator light. If this light comes on during use, contact your local Kent distributor to have the motor serviced.

CAUTION!

The motor can be severely damaged if the machine is used for an extended period of time with the light glowing.

TROUBLESHOOTING

SWIRL MARKS

- Floor not clean.
- Area not properly swept - debris in pad or brush.
- Improper pad or brush for the job.
- Moving the machine too fast.

CIRCLES ON THE FLOOR

- Machine standing still while the brush or pad is running.

FLOOR FINISH REMOVED

- Improper pad...too aggressive.
- Moving the machine too slowly.

MACHINE WOBBLER DURING OPERATION

- Defective pad... one side is more dense than the other.
- Machine left sitting on brush or pad for extended period of time causing bristles or pad to "take a set".
- Pad not "seated" properly into pad holder bristles.
- Warped block on brush or padholder - replace.

MACHINE DOES NOT RUN

- Check plug for proper connection - on machine and at wall outlet.
- Check building circuit breaker.
- Call for service.

TECHNICAL SPECIFICATIONS (as installed and tested on the unit)

Model

Model No.
Motor
Transmission
Pad / Brush Speed
Pad / Brush Size
Wheels
Cord Length
Base Width
Height w/Handle
Net Weight (with pad holder)

DuraGloss 2000

56201902
1.5 hp, 120V
Direct Drive
2,000 RPM
20" (51 cm)
5" (13 cm)
75' (23 m)
25" (63.5 cm)
48.5" (123.19 cm)
84 lbs / 37.8 kg

Construction:

Handle Tube
Upper Handle
Base

Extruded Aluminum
Injection Molded Polypropylene
Roto Molded Polyethylene



Nilfisk-Advance, Inc.
14600 21st Avenue North
Plymouth, MN, 55447-3408
www.nilfisk-advance.com
Phone: 800-989-2235
Fax: 800-989-6566
©2000 Nilfisk-Advance, Inc.,
Plymouth, MN 55447-3408
Printed in the U.S.A.