



Electronic Service Manuals

This electronic document is provided as a service to our customers. We do not create the contents of the information contained in this document. Should you have detailed questions pertaining to the information contained in this document, you may contact Michco, or the manufacturer which provided the original information in this electronic deliverable. Michco's only part in this electronic deliverable was the electronic assembly process.

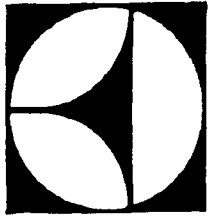
You may contact Michco through the following methods:
Phone (517) 484-9312 or (800) 331-3339 MI, OH, IN only
2011 N. High St. -- Lansing, Michigan -- 48906
Fax: (517) 484-9836
Email: CustServ@Michco.com
Web site: www.Michco.Com
Parts Web site: www.FloorMachineParts.Com

Order Parts on Line at:
www.FloorMachineParts.Com

Directly to Parts & Service:
By Email: **Shop@Michco.com**
By Fax: (517) 702-2041
By Voice: Use numbers above.

Serving the Cleaning Industry Since 1922

Notice: All copyrighted material remains property of original owners, all trademarks are property of respective owners. Manuals are subject to Manufacturer's reproduction limitations. Originals or reproductions were provided by manufacturers through a request. We make no warranty as to the correctness of information provided in this document and you assume all risk.



KENT

**CARPET DRYER
MODEL:KD-3SA**

THE KENT COMPANY
P.O. Box 1665
2310 Industrial Parkway
Elkhart, IN 46515
TEL: (219)293-8661, (800)334-1083
FAX: (219)295-8610
TELEX: 25-8331 KENT CO EKR

**OPERATING,
MAINTENANCE
INSTRUCTIONS
& ILLUSTRATED
PARTS LIST**

OCTOBER 1990

WRITE THE MODEL AND SERIAL NUMBER OF YOUR UNIT IN THE SPACE PROVIDED
REFER TO THE DATA PLATE ON UNIT

MODEL# SERIAL#

RETAIN THIS OWNER'S MANUAL FOR FUTURE REFERENCE

GENERAL INFORMATION

BEFORE YOU PLUG IN YOUR DRYER, check the voltage data plate located on the cleaner near the power switch to check if it agrees within 10% of the voltage available (see "Data Plate"). Connect only to a grounded (3-wire) electrical outlet. DO NOT OIL. The motor in your Dryer is permanently lubricated and sealed. Do not oil the motor at any time.

BE SAFE - AVOID POSSIBLE HAZARDS



DO NOT OPERATE IN STANDING WATER!

WARNING
TO AVOID ELECTRICAL SHOCK, DO NOT

EXPOSE TO RAIN. STORE INDOORS. DO NOT BLOCK INTAKE SCREENS OR EXHAUST GRILL. MOTOR MAY OVERHEAT. DO NOT OPERATE WITHOUT INTAKE SCREENS OR WITHOUT EXHAUST GRILL.

SERVICE INFORMATION

To obtain consistent performance over the life of your Dryer, read through these instructions and keep them handy for future reference. If you require service, contact the dealer from whom the vacuum was purchased. Always refer to your Kent Limited Warranty for complete service information.

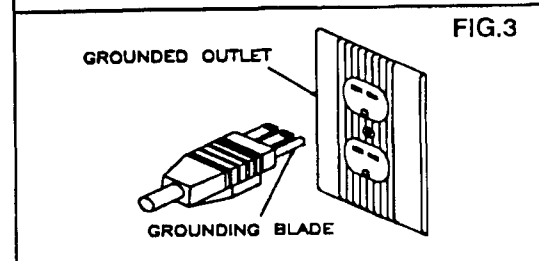
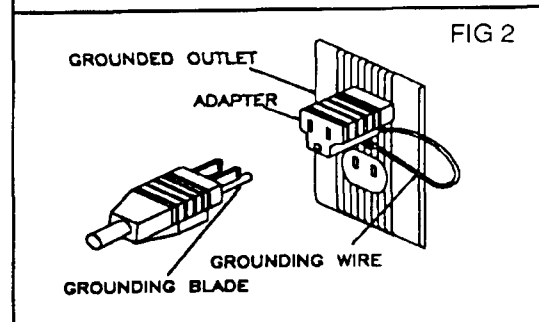
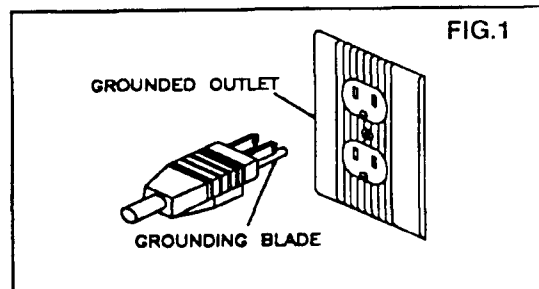
THE KENT CO.		
ELKHART, INDIANA USA		
SERIAL NO	MODEL	
VOLTS	PHASE	Hz
MOTOR 1	A.M.P.	H.P.
MOTOR 2	A.M.P.	H.P.

The model, type and serial number are indicated on the data plate. For prompt and complete service information, always refer to these numbers when inquiring about service.

GROUNDING INSTRUCTIONS

This Dryer should be grounded while in use to protect the operator from electrical shock. The Dryer is equipped with a 3-conductor cord and a 3-prong grounding type attachment plug cap to fit the proper grounding type receptacle. The green (or green & yellow) conductor in the cord is the grounding wire. Never connect the green (or green & yellow) wire to a live terminal. If your unit is for use on less than 150 volts, it has a plug that looks like Figure 1. If it is for use on 150 to 250 volts, it has a plug that looks like Figure 3. An adapter, Figure 2, is available for connecting Figure 1 plugs to 2-prong receptacles. The green (or green & yellow) grounding wire extending from the adapter must be connected to a permanent ground such as to properly grounded outlet box. No adapter is available for Figure 3 plugs.

Use only 3-wire extension cords which have 3-prong grounding-type plugs and 3-prong receptacles that accept the appliance's plug. Replace or repair damaged cords.

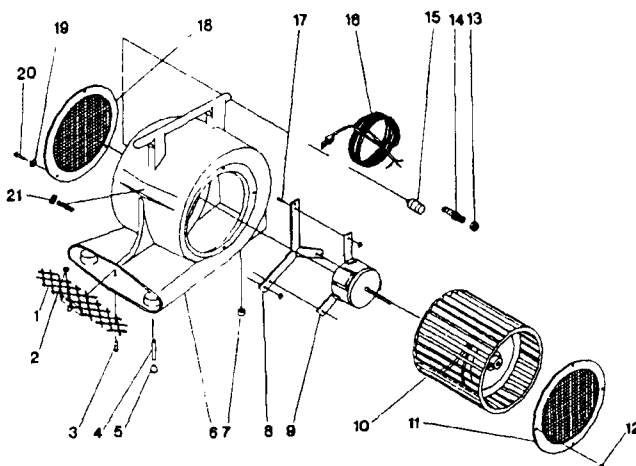
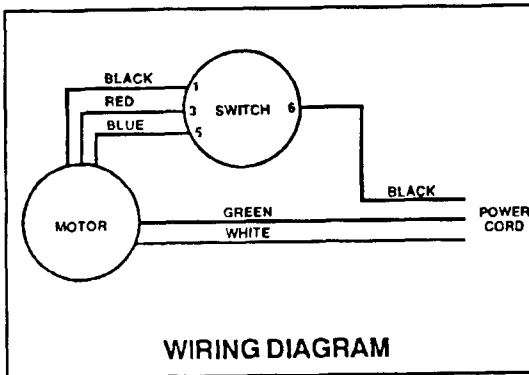


OPERATION

1. Plug into a grounded outlet. The Dryer draws a maximum of 3.7 amps which means that up to three fans can be operated on one 15 amp circuit.
2. Rotate switch to positions #1 for maximum air flow (2600 cfm), #2 for intermediate air for and #3 for low speed quiet operation.

TO USE THE DRYER ON WALL TO WALL CARPET

1. Peel back one corner of carpet. A scratch awl or any pointed instrument will make this easier. (All furniture should be removed from room).
2. Position fan so that the exhaust snout is under the carpeting pointing toward the center of the room. Be sure that the intake screens are not blocked.
3. Plug into a grounded outlet and rotate switch to #1 position for maximum air flow. Fan forces air under and through the carpet to speed drying time. Carpet will billow in the center of the room.



4. Remove fan when dry and stretch carpet back into place.

TO USE THE DRYER ON GLUED DOWN CARPET AND HARD FLOORING

1. Place the fan in one corner of the room pointing toward the center of room.
2. Air moves across the surface to speed evaporation.

DET	PART NO	DESCRIPTION	QUANT
1	039177	WDMT,PERFD -SCREEN EXHAUST	1
2	005479	NUT,HEX LOCK-- 250 20 NYLOC ZN	8
3	002237	SCR CAP HEX HD 250-20X 500L	2
4	054662	ROD,STL - 50ODX3 00L THRD	2
5	039004	CAP,RUBBER- FOOT WHITE SLIP-ON	2
6	052819	HOUSING MACHINED- KD-3SA	1
7	039010	CAP RUBBER--FOOT SCREW-ON WHT	2
8	034539	SUPPORT FRAME--KD-3SA	1
9	039007	MTR,AC--115/60 CARPET DRYER	1
10	038998	FAN--CARPET DRYER	1
11	034538	WDMT SCREEN--KD-3SA 4H	1
12	002380	SCR TPG F PAN HD 10 8 X 625L	4
13	006108	NUT SPECIAL- 500 PIPE HEX LOC	1
14	027003	BSHG,STRAIN RLF 23 39 ACCOM	1
15	027004	SWITCH,ROTARY	1
16	E48344-2	CORD POWER- 18 3,SJT BLK 25	1
17	002256	SCR CAP HEX HD 250-20X1 00L	3
18	034540	WDMT SCREEN--KD 3SA 3H	1
19	004336	WSHR FLT 2811D 875OD 125T STL	3
20	002253	SCR CAP HEX HD 250 20X 750L	3
21	054812	LABEL IDENT KENT DIE CUT WHT	1

THE KENT LIMITED WARRANTY

Your Kent equipment, which has been manufactured, tested and inspected in accordance with carefully specified engineering requirements, is warranted to be free from defects in material and workmanship. This warranty is, however, subject to the following qualifications, conditions, and limitations which are set forth to provide you and all users of the Kent equipment with information concerning the duration, extent, availability, and applicability of this Kent limited warranty, the procedure to be taken to obtain its performance, and other information concerning the Kent warranty policy

DURATION OF WARRANTY AND TO WHOM EXTENDED

This warranty extends for a period of one year from the date of the original purchase of the Kent equipment by the original purchaser

PARTS OF KENT EQUIPMENT NOT COVERED BY WARRANTY

Certain parts of Kent equipment require replacement in the ordinary course of use due to normal wear by reason of their characteristics. These are normal wear items such as cords, gaskets, switches, bumpers, carbon brushes, handle grips, bags, hoses, bearings, etc

EXCEPTIONS AND EXCLUSIONS FROM WARRANTY

This equipment is required to be used on electric current as indicated on the data plate. Otherwise damage, defects, malfunctions or other failures of the equipment arising from use on electric current not as indicated are excepted and excluded from this warranty

Defects, malfunctions, failure or damage of the equipment caused by improper, unreasonable or negligent use or abuse while in the possession of the purchaser are likewise excluded from this warranty.

If repair is done on your equipment by anyone other than those below designated as authorized to perform such work without first having obtained factory instructions, The Kent Company, at its sole option, may determine that this warranty will not apply and that reimbursement for such repair will not be made because of the failure to comply with such factory specified instructions

Briggs & Stratton Corporation engines are guaranteed by Briggs & Stratton Corporation for a period of one year. Parts and service are available only through Briggs & Stratton Corporation servicing dealers

Honda engines are guaranteed by American Honda Motor Co., Inc. for a period of one year. Parts and service are available only through Honda servicing dealers.

Motor Appliance Corp. guarantees all Mac battery chargers to be free from defects in material or workmanship for a period of one year from date of manufacture. The nearest Mac authorized service facility should be contacted for service assistance

FIVE YEAR POLY COMPONENT WARRANTY

Your Kent rotational molded polyethylene parts have been manufactured, tested and inspected in accordance with carefully specified engineering requirements and are warranted to be free from defects in material and workmanship.

This warranty extends for a period of five (5) years from the date of the original purchase of the Kent equipment by the original purchaser

This warranty will not cover damage attributable to the following:

- (1) Improper, unreasonable or negligent use or abuse of the equipment.
- (2) Use of the equipment with hot water or high temperatures above 130 degrees Fahrenheit (54 degrees Centigrade)
- (3) "Warping", "creeping" or "distortion" of part so long as the same does not interfere with normal operation
- (4) Abrasions or punctures of the equipment.

PROCEDURE TO BE TAKEN TO OBTAIN PERFORMANCE OF WARRANTY REPAIR

To secure repair of the equipment or any warranted parts under this warranty, the following procedure should be taken

The inoperative equipment or warranted parts, together with satisfactory evidence of the purchase date, must be delivered, with shipping and delivery charges prepaid, to one of the following:

- (1) The dealer from whom purchased,
- (2) Any Kent distributor's service department in the United States,
- (3) Any Kent authorized service station in the United States

If you are unable to locate any of the foregoing, you may write or otherwise communicate with The Kent Company, for instructions before repair service is performed by anyone else. In such event, The Kent Company will provide either the location of a closely available Kent distributor service department or Kent authorized service station or other factory instructions

Upon compliance with the above procedure, all warranted defects will be repaired, at no additional charge or costs to the customer, and the repaired product returned to the customer, with all shipping and delivery charges prepaid

In following the procedures above set forth, PLEASE MAKE CERTAIN to state the Kent model, type and serial number as shown on the data plate of the equipment

REPLACEMENT

In the event of a defect, malfunction or failure of your Kent equipment or any warranted part to conform with this warranty, The Kent Company may, at its sole option and own expense, replace the equipment or any warranted part with another new identical or reasonably equivalent model or part in lieu of repairing the defect

NO REFUND OF PURCHASE PRICE

The Kent Company will not, as a matter of its warranty policy, refund the customer's purchase price

WARRANTY REGISTRATION CARD FOR YOUR KENT EQUIPMENT AND REQUEST FOR INFORMATION

Your Kent Company distributor from whom you purchased your equipment is responsible for the registration of your warranty with the factory. We ask that you cooperate with your distributor in supplying the necessary information on the warranty card so that we may better serve you

Any information or questions you may have concerning your Kent equipment or this warranty may likewise be secured from the factory

This warranty gives you specific legal rights, and you may also have other rights which vary from state to state

THE KENT COMPANY

P.O. BOX 1665 - ELKHART, INDIANA 46515