



## Electronic Service Manuals

This electronic document is provided as a service to our customers. We do not create the contents of the information contained in this document. Should you have detailed questions pertaining to the information contained in this document, you may contact Michco, or the manufacturer which provided the original information in this electronic deliverable. Michco's only part in this electronic deliverable was the electronic assembly process.

You may contact Michco through the following methods:  
Phone (517) 484-9312 or (800) 331-3339 MI, OH, IN only  
2011 N. High St. -- Lansing, Michigan -- 48906  
Fax: (517) 484-9836  
Email: [CustServ@Michco.com](mailto:CustServ@Michco.com)  
Web site: [www.Michco.Com](http://www.Michco.Com)  
Parts Web site: [www.FloorMachineParts.Com](http://www.FloorMachineParts.Com)

Order Parts on Line at:  
**[www.FloorMachineParts.Com](http://www.FloorMachineParts.Com)**

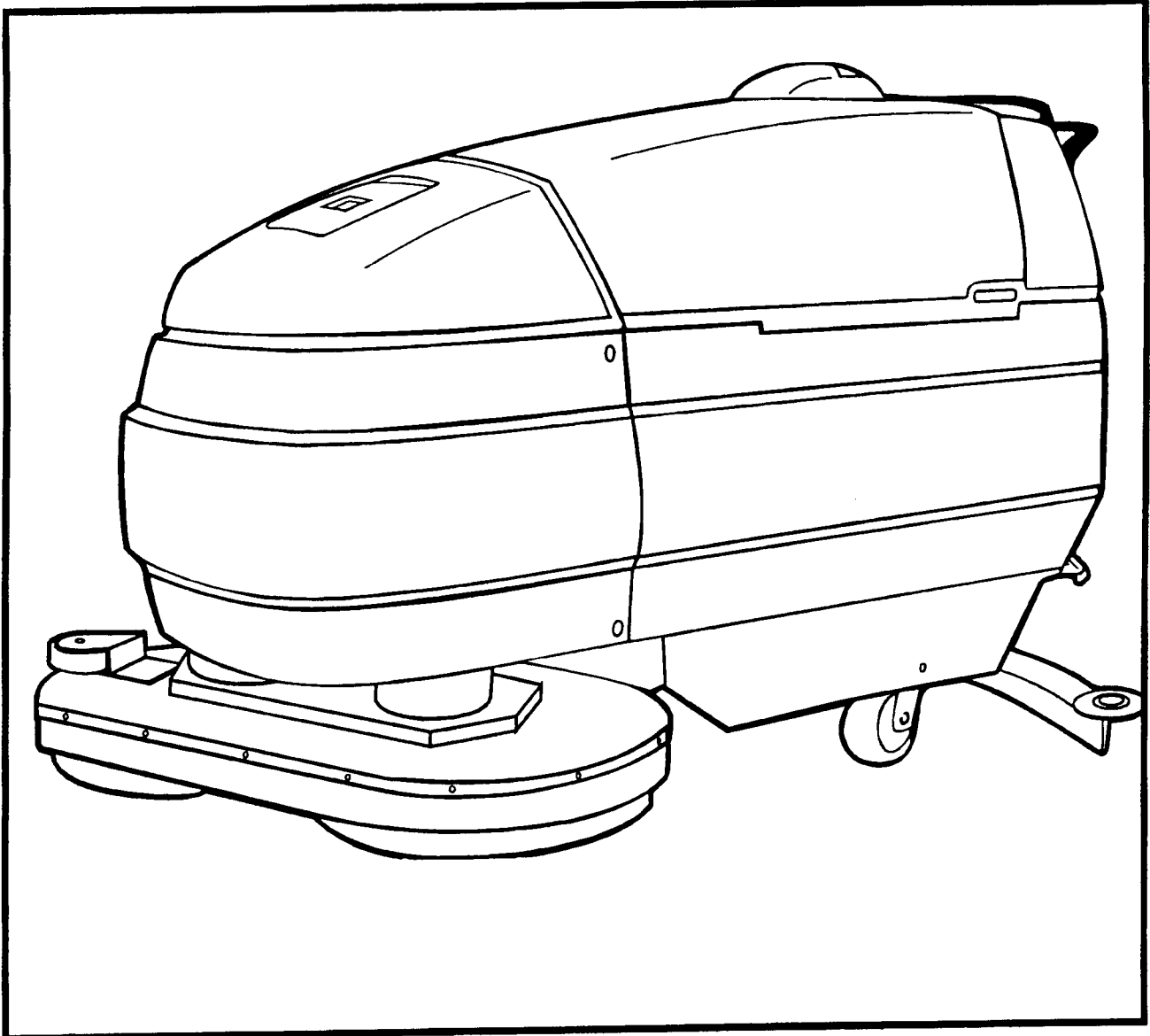
Directly to Parts & Service:  
By Email: **[Shop@Michco.com](mailto:Shop@Michco.com)**  
By Fax: (517) 702-2041  
By Voice: Use numbers above.

**Serving the Cleaning Industry Since 1922**

Notice: All copyrighted material remains property of original owners, all trademarks are property of respective owners. Manuals are subject to Manufacturer's reproduction limitations. Originals or reproductions were provided by manufacturers through a request. We make no warranty as to the correctness of information provided in this document and you assume all risk.



# PARTS



**KA-33SSA**

Spare Parts List

## TABLE OF CONTENTS

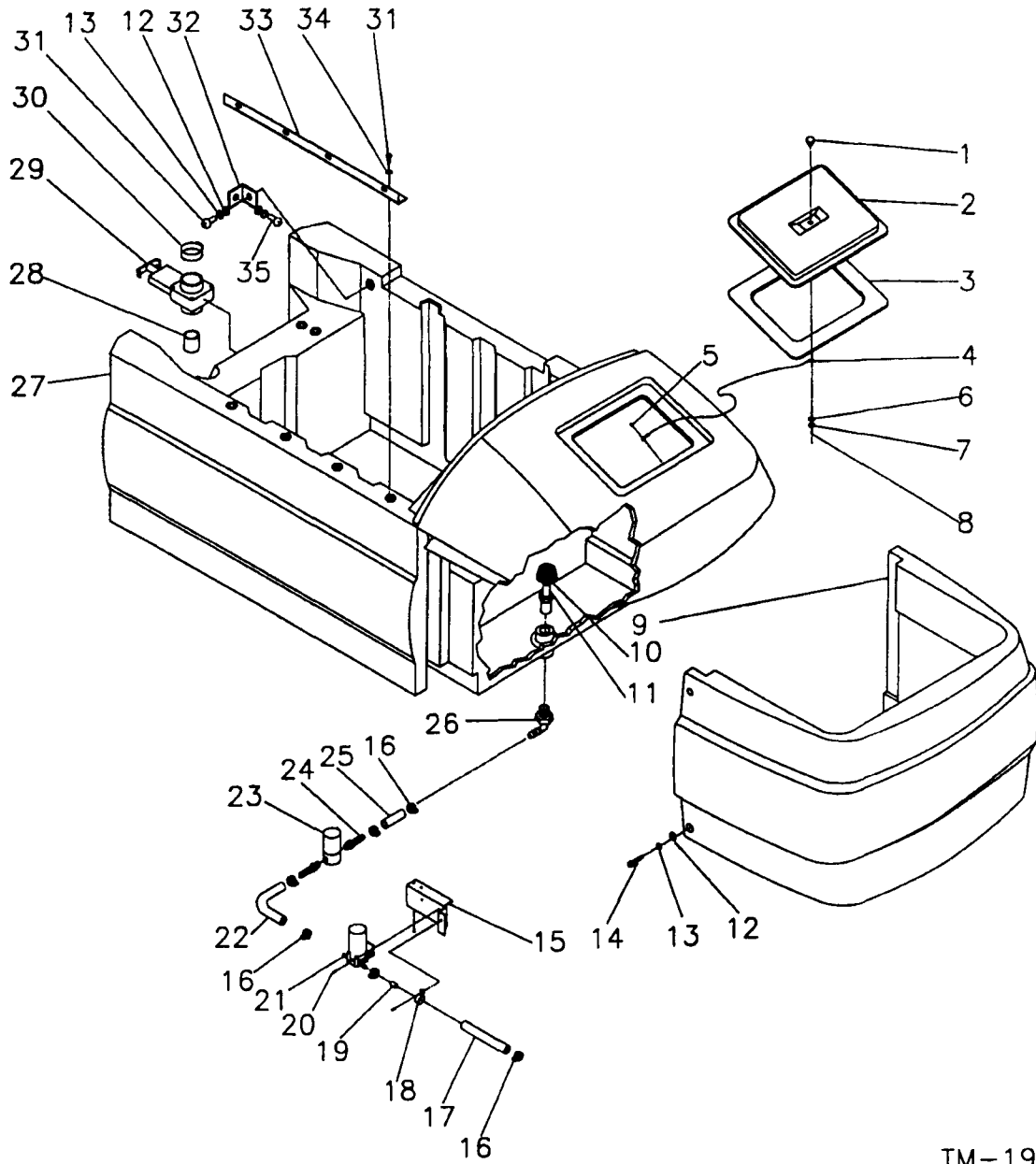
SOLUTION TANK ASSEMBLY.....	2-3
RECOVERY TANK ASSEMBLY.....	4-5
BACK PANEL ASSEMBLY.....	6-7
SQUEEGEE ASSEMBLY.....	8-9
BRUSH HEAD ASSEMBLY.....	10-11
REAR COVER ASSEMBLY.....	12-13
BRUSH COVER ASSEMBLY.....	14
FRAME ASSEMBLY.....	15
CHASSIS ASSEMBLY.....	16
WIRING DIAGRAM.....	17

### RECOMMENDED SPARE PARTS

Recommended spare parts should be ordered and stocked to avoid possible downtime in case of failure, breakage, or normal wear.

PART NO.	DESCRIPTION	QTY.
035302	ASM, HOSE--SQUEEGEE, BLK, 22"L	1
035129	ASM, HOSE--TANK, BLK, 36"L	1
035179	ASM, HOSE--DUMP, 1.50 DIA., BLK, 40"L	1
039276	BRUSH, MTR--FOR 024372 MTR	4
039428	BRUSH, MTR--FOR 024373 VAC MTR	2
047484	KNOB	1
056428	RUBBER, SQUEEGEE--33" AUTO, FRONT	1
056429	RUBBER, SQUEEGEE--33" AUTO, REAR	1
056430	RUBBER, SQUEEGEE--33" AUTO, BACKUP	1
056466	GASKET, SQUEEGEE--.187 X 2, 9.75L	1
056793	FILTER, SCREEN--1.85ID, SS	1

# KA-33SS SOLUTION TANK ASSEMBLY



TM-1939

# KA-33SS SOLUTION TANK ASSEMBLY

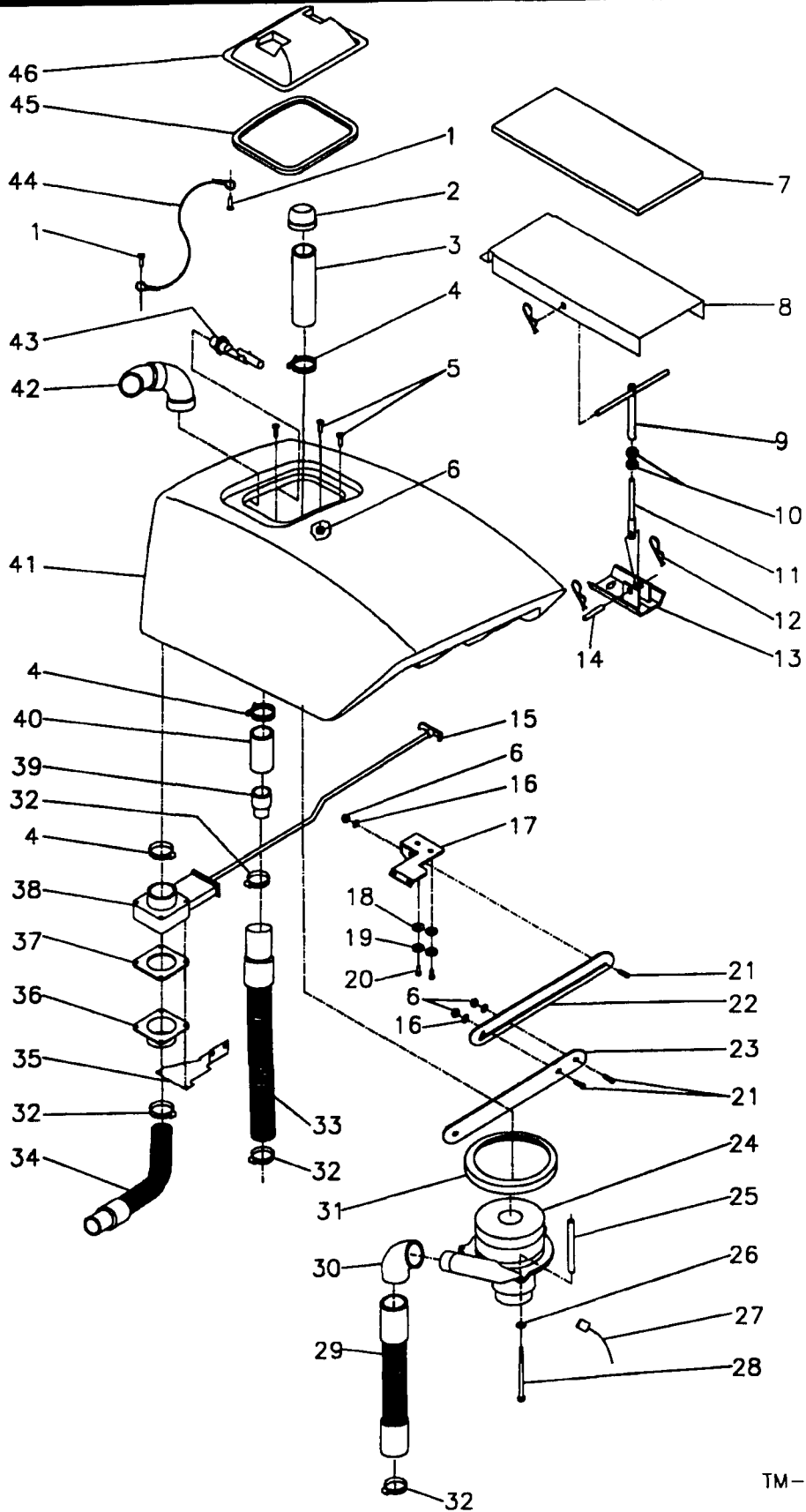
DET	PART NO.	DESCRIPTION	QTY
1	048022	KNOB,THUMB SCR--10-24,INT.	1
2	056250	LID,TANK--DURASCRUB	1
3	056379	GASKET,FOAM--EXTR.RECOVERY	1
4	053793	WIRE ROPE--.062 DIA X 10.50L	1
5	002382	SCR TPG F PAN HD 10-10X.500L	1
6	005407	WSHR FLT .203ID.562OD.045T STL	1
7	004253	WSHR LK .204ID.410OD.025T EXT	1
8	005456	SCR MACH PAN HD 10-24X.500L	1
9	056648	COVER,FRONT--FLAME TREATED	1
10	057209	LINE STRAINER--80 MICRON,S.S.	1
11	051207	ADPTR,PP-HS--1/2MPTX3/8HS,PLS	1
12	004208	WSHR FLT .281ID.500OD.036T STL	4
13	004254	WSHR LK .267ID.510OD.028T EXT	4
14	002471	SCR CAP SOC HD--.25-20X1.25 L	4
15	056659	BRACKET,WATER PUMP--	1
16	051581	CLAMP,HOSE--.625 MAX DIA,WORM	6
17	054577	TUBE,VINYL--.375X.625,14.62L,R	1
18	051474	CLAMP,LOOP--.625 CLOSED ID,NYL	1

DET	PART NO.	DESCRIPTION	QTY
19	057688	SPACER,SS--.106X.400,.500L	1
20	005316	SCR TPG F PAN HD 10-24X.375L	5
21	035257	ASM,PUMP--12V,1GPM	1
22	054293	TUBE,VINYL--.375X.625,6.5L	1
23	027145	VALVE,SOLENOID--24V	1
24	054691	ADPTR,PP-HS--3/8MPTX3/8HS,BRS	2
25	057580-8	TUBE,VINYL--.375X.625,5.0L,R	1
26	055523	ELBOW,PP-HS--1/2 MPTX3/8HS,NY	1
27	057802-1	TANK,SOLUTION--MACHINED,33/39	1
28	056593	TUBE,PLSTC--1.58-1.50 REDUCER	1
29	055070	VALVE,SLIDE--SHUTOFF,1.5PIPE,T	1
30	049999	CLAMP,HOSE--2.25 MAX DIA,WORM	1
31	223218	SCR CAP HEX HD .250-20X.625L	6
32	056857	BRACKET,ANGLE--11GA,1.50WIDE	2
33	056514	HINGE,BUTT--RS 056291,BLACK	1
34	004207	WSHR FLT .281ID.562OD.063T BRS	4
35	001514	SCR TPG F PAN HD .250-20X.375L	2

## AVAILABLE ASSEMBLIES

035615 ASM, SOLUTION TANK--INCLUDES ITEMS 1-7, 11-18, 31-32, 36, 38-42

# KA-33SS RECOVERY TANK ASSEMBLY



TM-1941

# KA-33SS RECOVERY TANK ASSEMBLY

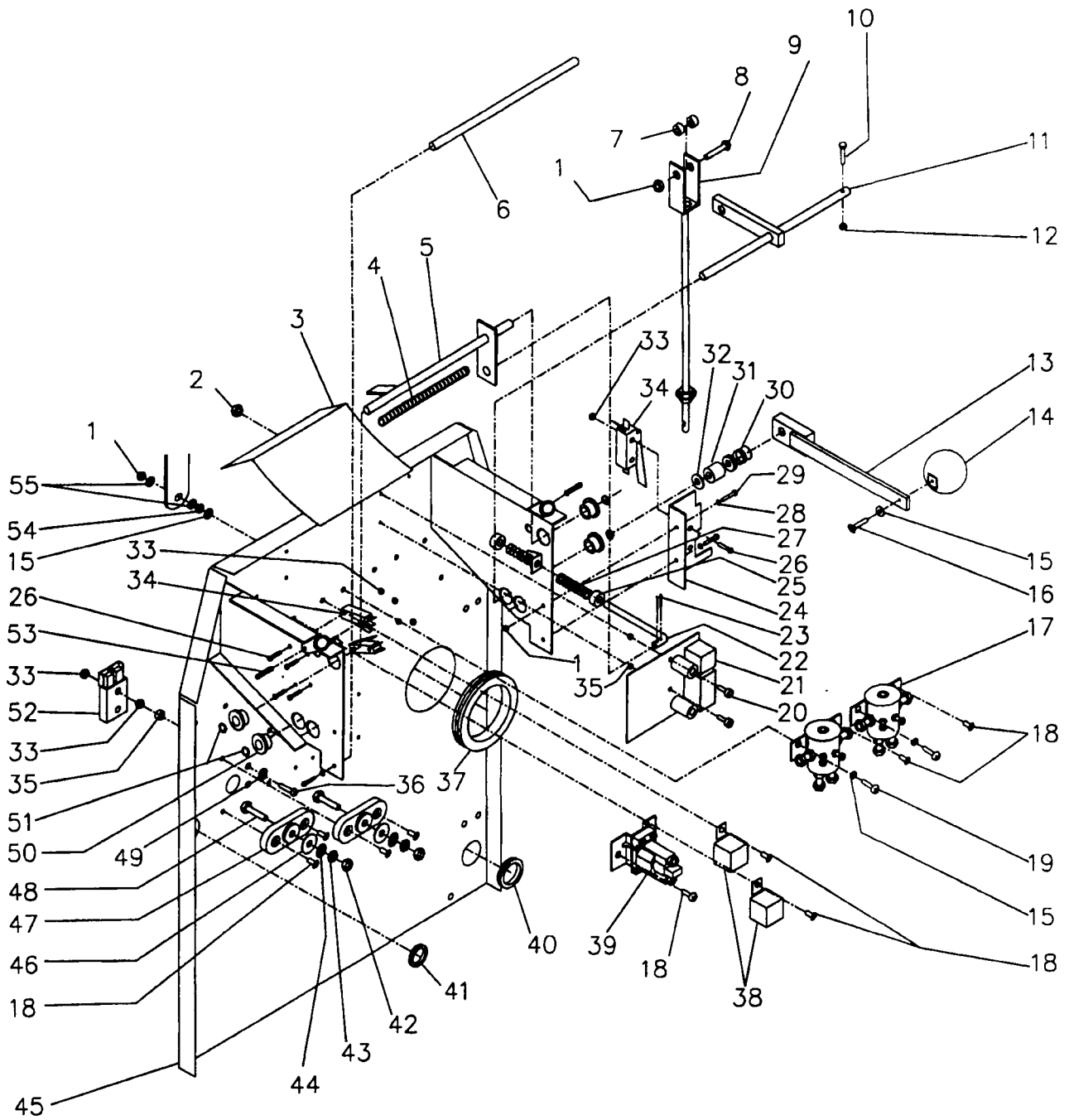
DET	PART NO.	DESCRIPTION	QTY
1	002382	SCR TPG F PAN HD 10-10X.500L	2
2	056793	FILTER,SCREEN--1.85ID,SS	1
3	055494	PIPE,PVC--1.50 SCH40 X 6.00L	1
4	049999	CLAMP,HOSE--2.25 MAX DIA,WORM	3
5	002491	SCR MACH FLT HD 10-24X1LSS	3
6	005480	NUT,HEX LOCK-- 10-24,NYLOC	4
7	057076	GASKET,SUPPORT--33&39AUTO	1
8	057075	PLATE,STL--VAC TANK SUPPORT	1
9	035326	WDMT,SUPPORT--AUTOS	1
10	003438	NUT,HEX JAM--.375-16,SST	2
11	035327	WDMT,SUPPORT--REC TANK	1
12	004352	PIN,LOCK--.125 DIA WIRE	4
13	035365	WDMT,VAC TANK--SUPPORT,33&39	1
14	057026	PIN,STL--3/8"OD,SS	1
15	057187	HANDLE,SLIDE VALVE--SERVICE	1
16	005433	WSHR FLT .281ID.750OD.120T STL	6
18	005323	WSHR FLT .203ID.500OD.036T STL	2
19	004253	WSHR LK .204ID.410OD.025T EXT	2
20	001366	SCR MACH PAN HD 10-32X.500L	2
21	002429	SCR SHLDR SOC HD 10-24X.375 S	3
22	057508-02	BAR,STL--11GA,W/SLOT,PLATED	1
23	057505-02	BAR,STL--11GA,PLATED	1
24	035240	ASM,VAC MTR--36V,3-STAGE	1

DET	PART NO.	DESCRIPTION	QTY
25	056764	SPACER,PHEN-- 265X.500X3.156L	3
26	004254	WSHR LK .267ID.510OD.028T EXT	3
27	039428	BRUSH,MTR--FOR 024373 VAC MTR	2
28	223213	SCR CAP HEX HD .250-20X4.00L	3
29	035564	ASM,HOSE--BLK,CUFFS & ELBOW	1
30	056676	ELBOW,PIPE--RS 98402,CUT OFF	1
31	E23788B	RING-MOTOR MOUNTING	1
32	046688	CLAMP,HOSE--1.75 MAX DIA,WORM	4
33	035129	ASM,HOSE--TANK,1.50 DIA,BLK	1
34	035179	ASM,HOSE--DUMP,BLK,1,50 DIA	1
35	057671-05	BKT,STL--16GA.TAML VALVE	1
36	035160	WDMT,DRAIN--RECOVERY TANK	1
37	054762	GASKET,FOAM--.187X2.87X2.87	1
38	057337	VALVE,SLIDE--33SS	1
39	053894	FITTING--REDUCER,1.66-1.50,PLS	1
40	056675	TUBE,PVC--AUTO	1
41	057297-1	TANK,REC--MACH'D.KA-33SS	1
42	056758	ASM,ELBOW--RECOVERY TANK	1
43	057002	SWITCH,FLOAT W/WIRE	1
44	056617	WIRE ROPE--.062DIA X 6.00L	1
45	057890	GASKET--.375X.375X36.00L	1
46	057579	LID,DOMED--DURASCRUB,CLEAR	1

## AVAILABLE ASSEMBLIES

035431 ASM, RECOVERY TANK--INCLUDES ITEMS 1-15, 17-21, 24-35, 37-47

# KA-33SS BACK PANEL ASSEMBLY



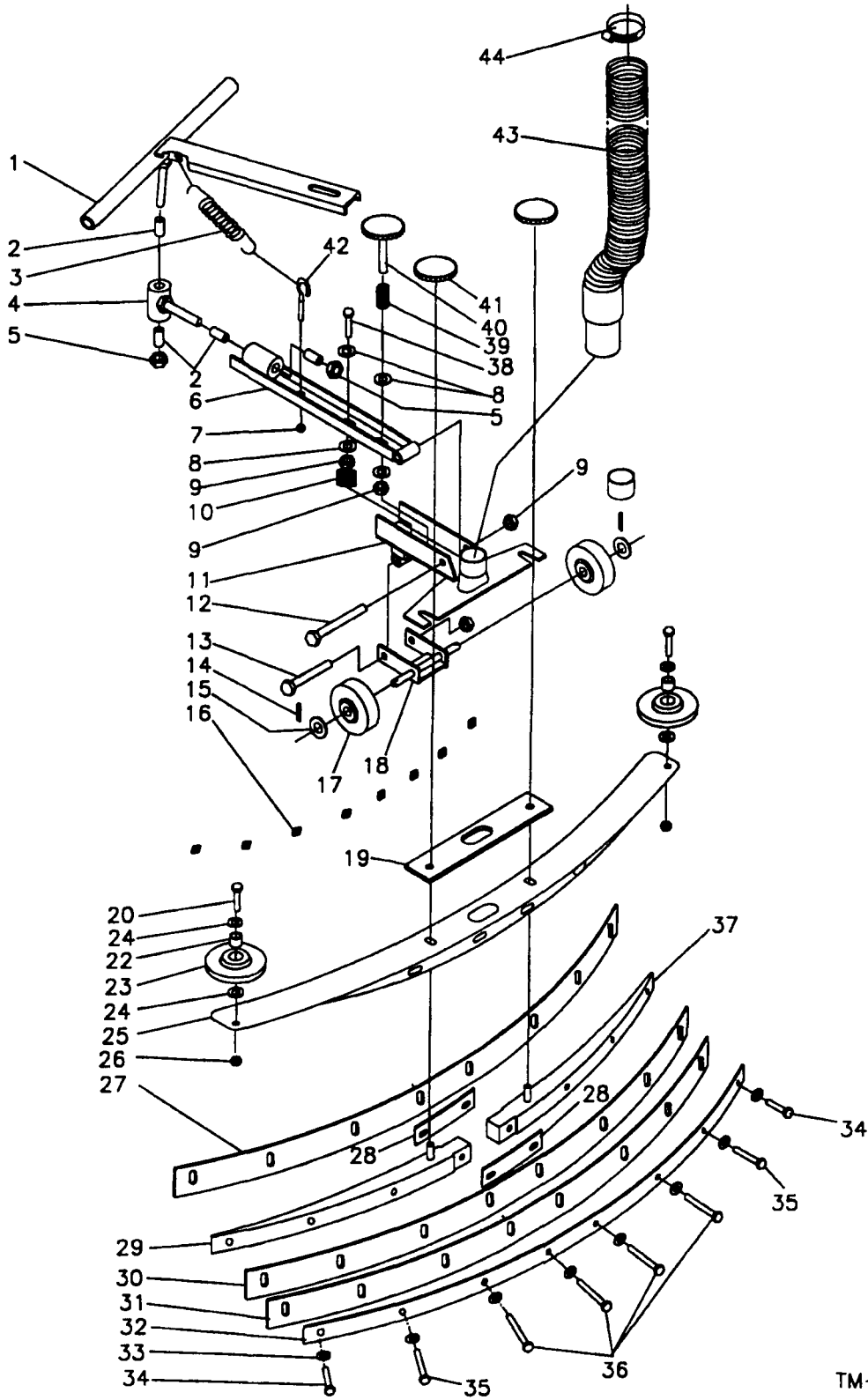
TM-1925

# KA-33SS BACK PANEL ASSEMBLY

DET	PART NO.	DESCRIPTION	QTY
1	003363	NUT,HEX LOCK--.250-20,ZN PLT	4
2	003415	NUT,HEX LOCK-- 8-32,NYLOC,ZN	2
3	026164	INSULATOR,ELEC--MYLAR,11.5X7	1
4	057176	TUBE,PLSTC--SLIT,.81ODX11.0"L	1
5	035384	WDMT,SHAFT--ACTUATOR	1
6	057366	ROD,STL--SUPPORT,HNDL,KA-33SS	1
7	050872	SPACER,PHEN--.250X.500,.375L	2
8	002273	SCR CAP HEX HD .250-20X1.75L	1
9	035459	ASM,SQUEEGEE LIFT--33SS	1
10	002495	SCR CAP SOC HD 10-24X1.25L	1
11	035486-02	WDMT,SQUEEGEE--27SS,PLATED	1
12	005480	NUT,HEX LOCK-- 10-24,NYLOC	1
13	035515-05	WDMT,HANDLE--SQUEEGEE,PAINTED	1
14	057391	HANDLE,BALL--ALUM,2.125 DIA	1
15	004254	WSHR LK .267ID.510OD.028T EXT	2
16	002480	SCR MACH PAN HD .250-20X.625L	1
17	026713	SOLENOID,DPDT--SWITCH,36V	2
18	001514	SCR TPG F PAN HD .250-20X.375L	12
19	002263	SCR MACH RD HD .250-20X1.25L	1
20	005410	SCR MACH RD HD 8-32X1.00L	2
21	027237	CONTROL--DC,AUTOS,CRTS,36V	1
22	053296	ROD,STL--.312 DIA., 6.00 LONG	1
23	004297	PIN,COTTER--.094X .750 LONG	2
24	057324-05	BRKT--ARM STOP,KA-33,PAINTED	1
25	048987	COLLAR-CENTERING SPRING	2
26	001248	SCR MACH RD HD 6-32X1.00L	6
27	056597	SPRING,COMP .480D 2.75L .045WD	2
28	002278	WSHR LK .262ID.489OD.062TSPLT	2

DET	PART NO.	DESCRIPTION	QTY
29	002247	SCR MACH RD HD .250-20X.625L	3
30	057388	SPRING,COMP .975D .88 L .112WD	1
31	057517	SPACER,NYLON--.50ID,.71OD,.39T	1
32	004238	WSHR FLT .531ID1.00OD.071T STL	3
33	003361	NUT,HEX LOCK-- 6-32,NYLOC	8
34	026603	SWITCH,LVR--SPDT,20A,125-250V	3
35	057428	SPACER,ALUM--.187X.375,.375L	4
36	001497	SCR MACH RD HD 6-32X1.50L	2
37	054845	GROM--3.00ID,3.50MHD,.12PA	1
38	026180	RELAY,POWER--24VDC,40/30A,SPDT	2
39	026504	SOLENOID--SWITCH,SPNO,36VDC	1
40	056672	GROM--2"IDX2.44MHDX.12PA	1
41	055434	GROM--1.0ID,1.25MHD,.125PA	1
42	003472	NUT,HEX LOCK--.312-18,NYLOC	2
43	003356	NUT,HEX JAM--.312-18,ZN PLT	2
44	004444	WSHR LK .332ID.610OD.034T EXT	2
45	035463	WDMT,BACK PANEL--KA-33SS	1
46	004221	WSHR FLT .344ID1.00OD.036T STL	2
47	057872	INSULATOR--MAIN TERMINAL	2
48	003249	SCR CAP HEX HD .312-18X1.25L	2
49	004249	WSHR LK .150ID.320OD.022T EXT	2
50	027131	BRG,FLANGE--.500ID.750OD.500W	4
51	004351	RING,RTNG--EXT,.500 SHAFT, "E"	4
52	027152	ASM,CHARGER PLUG--2 CNDCT	1
53	005624	PIN,ROLL--.312 DIA,1.000L	2
54	222258	NUT,HEX--.250-20,SS	1
55	005433	WSHR FLT .281ID.750OD.120T STL	2

# KA-33SS SQUEEGEE ASSEMBLY



TM-1927

# KA-33SS SQUEEGEE ASSEMBLY

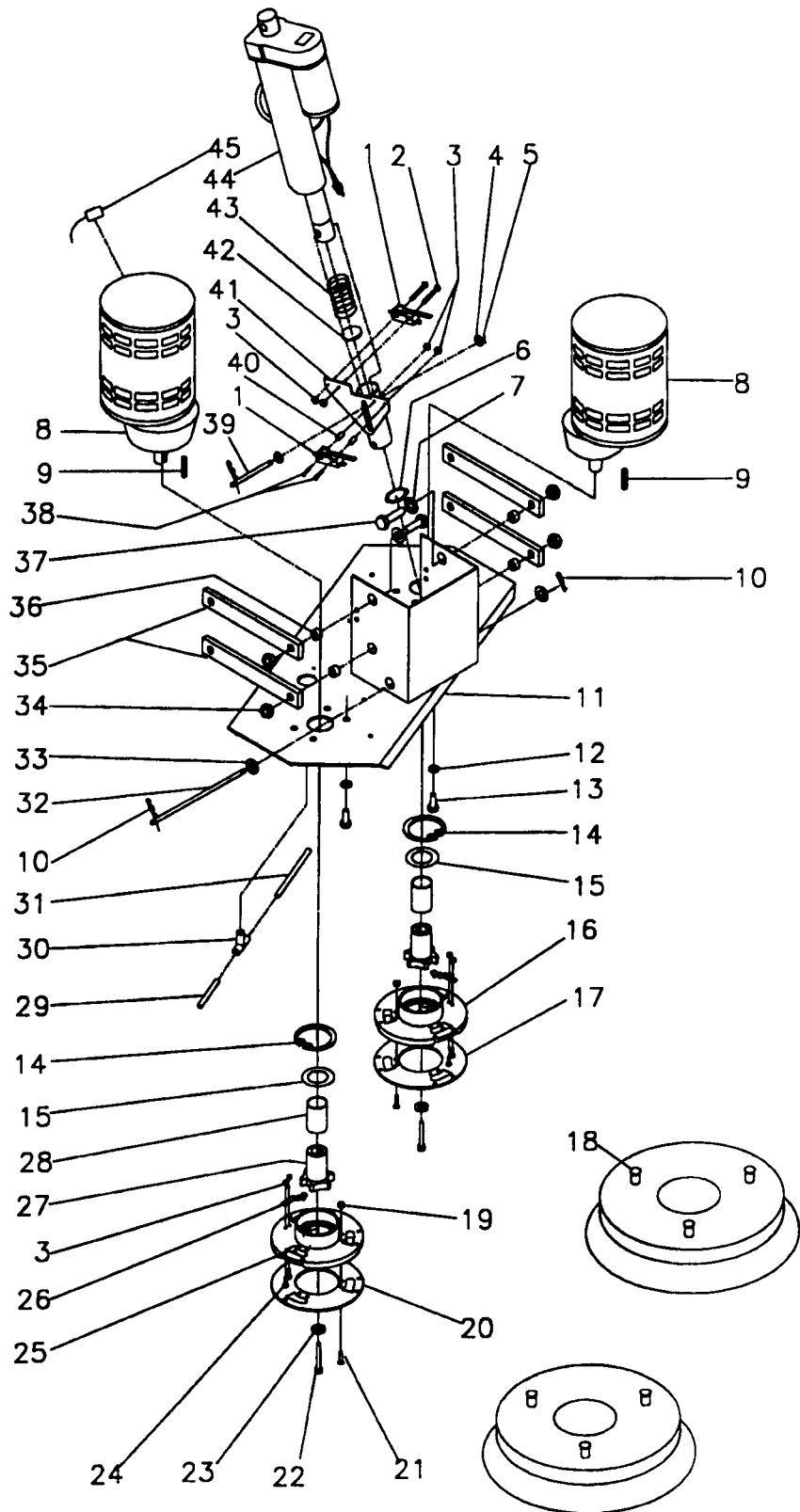
DET	PART NO.	DESCRIPTION	QTY
1	035139	WDMT,SQUEEGEE LIFT-33&39 AUTO	1
2	027171	BRG,SLV-.500ID,.625OD,.750W	4
3	051136	SPRING,EXT .750D 2.92L .104WD	1
4	035150	WDMT,SQUEEGEE PIVOT-33&39AUTO	1
5	003370	NUT,HEX LOCK-.500-13,ZN PLT	2
6	035137	WDMT,SQUEEGEE BAR-33&39 AUTOS	1
7	005479	NUT,HEX LOCK-.250-20,NYLOC,ZN	1
8	005219	WSHR FLT .406ID1.00OD.071T STL	4
9	005279	NUT,HEX LOCK-.375-16,NYLOC	4
10	056808	SPRING,COMP .970D .750L .072WD	1
11	035138	WDMT,SQUEEGEE BRACKET-33&39	1
12	002445	SCR CAP HEX HD .375-16-2.50L	1
13	003268	SCR CAP HEX HD .375-16X3.00L	1
14	005383	PIN,COTTER-.094X1.000 LONG	2
15	004223	WSHR FLT .406ID.625OD.036T STL	2
16	005591	NUT,SELF RETAINING-.250-20	8
17	057193	WHEEL,PLASTIC-3"OD,3/8"BORE	2
18	034172	WDMT,BRACKET-SQUEEGEE WHEEL	1
19	056466	GASKET,SQUEEGEE-.187X2.9.75L	1
20	003249	SCR CAP HEX HD .312-18X1.25L	2
22	053699	SPACER,STL-.312X.437,.43L	2
23	053720	WHEEL-4.00DIA.,.438BORE,.688HB	2

DET	PART NO.	DESCRIPTION	QTY
24	004218	WSHR FLT .344ID.750OD.060T STL	4
25	035100	WDMT,SQUEEGEE-33 AUTO	1
26	003378	NUT,HEX LOCK-.312-18,ZN PLT	2
27	056428	RUBBER,SQUEEGEE-33 AUTO,FRONT	1
28	056461	CLAMP,SQUEEGEE-11GA,5.00L	2
29	056454	SPACER,SQUEEGEE-33 AUTO,LEFT	1
30	056429	RUBBER,SQUEEGEE-33 AUTO,REAR	1
31	056430	RUBBER,SQUEEGEE-33AUTO,BACKUP	1
32	056455	STRAP,SQUEEGEE-33 AUTO	1
33	004531	WSHR FLT .281ID.625OD.080T,SS	10
34	002454	SCR CAP HEX HD .250-20X1.50L	2
35	002476	SCR CAP HEX HD .250-20X2.00L	4
36	002455	SCR CAP HEX HD .250-20X2.50L	4
37	056434	SPACER,SQUEEGEE-33 AUTO,RIGHT	1
38	002332	SCR CAP HEX HD .375-16X1.75L	1
39	056585	SPRING,COMP .845D 1.75L .085WD	1
40	035163	ASM,KNOB-ADJUSTMENT,.375-16	1
41	047484	KNOB,PLSTC-2.38OD,.38-16THD	2
42	005594	BOLT,EYE-.250-20,X1.0 SHANK	1
43	035302	ASM,HOSE-SQUEEGEE,1.5DIA,BLK	1
44	046688	CLAMP,HOSE-1.75 MAX DIA,WORM	1

## AVAILABLE ASSEMBLIES

035133 ASM, SQUEEGEE-INCLUDES ITEMS 16, 19-37  
 035140 ASM, SQUEEGEE LINKAGE-INCLUDES ITEMS 1-18, 38-41

# KA-33SS BRUSH HEAD ASSEMBLY



TM-1929

# KA-33SS BRUSH HEAD ASSEMBLY

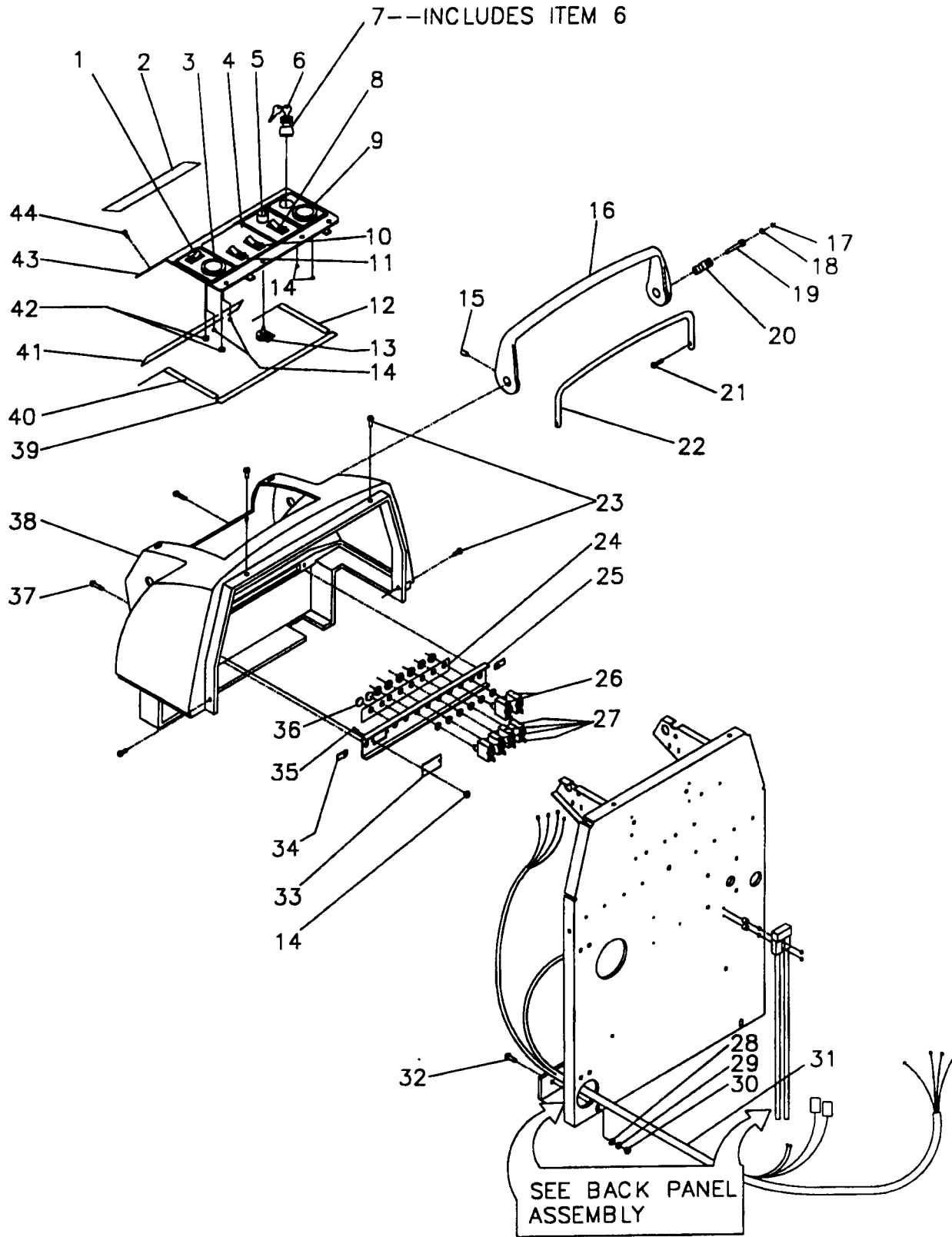
DET	PART NO.	DESCRIPTION	QTY
1	026603	SWITCH,LVR--SPDT,20A,125-250V	3
2	001489	SCR MACH RD HD 6-32X1.75L	2
3	003361	NUT,HEX LOCK-- 6-32,NYLOC	4
4	005227	WSHR FLT .531ID.875OD.036T STL	2
5	005200	PIN,COTTER--.125X1.000 LONG	2
6	046762	RING,RTNG--INT,1.18 CYL,N5000	1
7	004238	WSHR FLT .531ID1.00OD.071T STL	4
8	024440	ASM,MTR&GEAR UNIT--36V,W/RINGS	2
9	057663	KEY,SQUARE--.250 SQ,1.437 LONG	2
10	004352	PIN,LOCK--.125 DIA WIRE	2
11	035078	WDMT,BRUSH HEAD--33 DURASCRUB	1
12	004214	WSHR LK .390ID.683OD.094TSPLT	8
13	003262	SCR CAP HEX HD .375-16X1.00L	8
14	004529	RING,RTNG--INT,2.375 BORE	2
15	004548	WSHR FLT 1.770ID2.342OD.078T	2
16	056447	HUB,DRIVE--BRUSH,AUTOS,RIGHT	1
17	057160	PLATE,SS--BRUSH MTG RING,LEFT	1
18	005630	LUG,BRUSH--.250-20 THREAD	6
19	222224	NUT,HEX LOCK-- 10-24,ZN PLT	12
20	057159	PLATE,SS--BRUSH MTG RING,RIGHT	1
21	002473	SCR MACH FLT HD 10-24X.875L	12
22	002499	SCR CAP SOC HD .312-18X1.50L	2
23	005358	WSHR LK--.326ID.586OD.078T SPL	2

DET	PART NO.	DESCRIPTION	QTY
24	001515	SCR MACH PAN HD 6-32X.500L	4
25	056446	HUB,DRIVE--BRUSH,AUTOS,LEFT	1
26	056468	CLIP,RETAINING--BRUSH LUG	2
27	056445	SHAFT,DRIVE--BRUSH,AUTOS	2
28	056464	TUBE,SS--1.50OD,16GA,1.937L	2
29	057580-9	TUBE,VINYL--.375X.625,4.3L,R	1
30	046944	TEE,HOSE--3/8X3/8X3/8,PLSTC	1
31	056788	TUBE,VINYL--.375X.625,12.00L,R	1
32	056474	SHAFT,STL--.375DIA, 8.00L	1
33	005219	WSHR FLT .406ID1.00OD.071T STL	2
34	003370	NUT,HEX LOCK--.500-13,ZN PLT	4
35	056254	BAR,STL--.375X1.25, 9.00L	4
36	056473	SPACER,STL--.531X.750, .218L,Z	4
37	003270	SCR CAP HEX HD .500-13X1.25L	4
38	005261	SCR MACH RD HD 6-32X1.25L	2
39	056155	PIN--ACTUATOR	1
40	046425	SPACER,PHEN--.250X.437, .250L	2
41	035547-02	WDMT,ACTUATOR TUBE--BRUSH,PLTD	1
42	056639	PLATE,STL--13GA,1.125DIA	1
43	054427	SPRING,COMP 1.09D 2.50L .035WD	1
44	024368	ACTUATOR,DC--36V,500LBS,6IN	1
45	039276	BRUSH,MTR--FOR 024372&027153	8

## AVAILABLE ASSEMBLIES

035492 ASM, BRUSH HEAD--INCLUDES ITEMS 1-51, 53  
 035131 ASM, DRIVE HUB, RIGHT--INCLUDES ITEMS 7, 35-45, 48, 51  
 035132 ASM, DRIVE HUB, LEFT--INCLUDES ITEMS 7, 35-38, 40-43, 45-48, 51

# KA-33SS REAR COVER ASSEMBLY



TM-1946

# KA-33SS REAR COVER ASSEMBLY

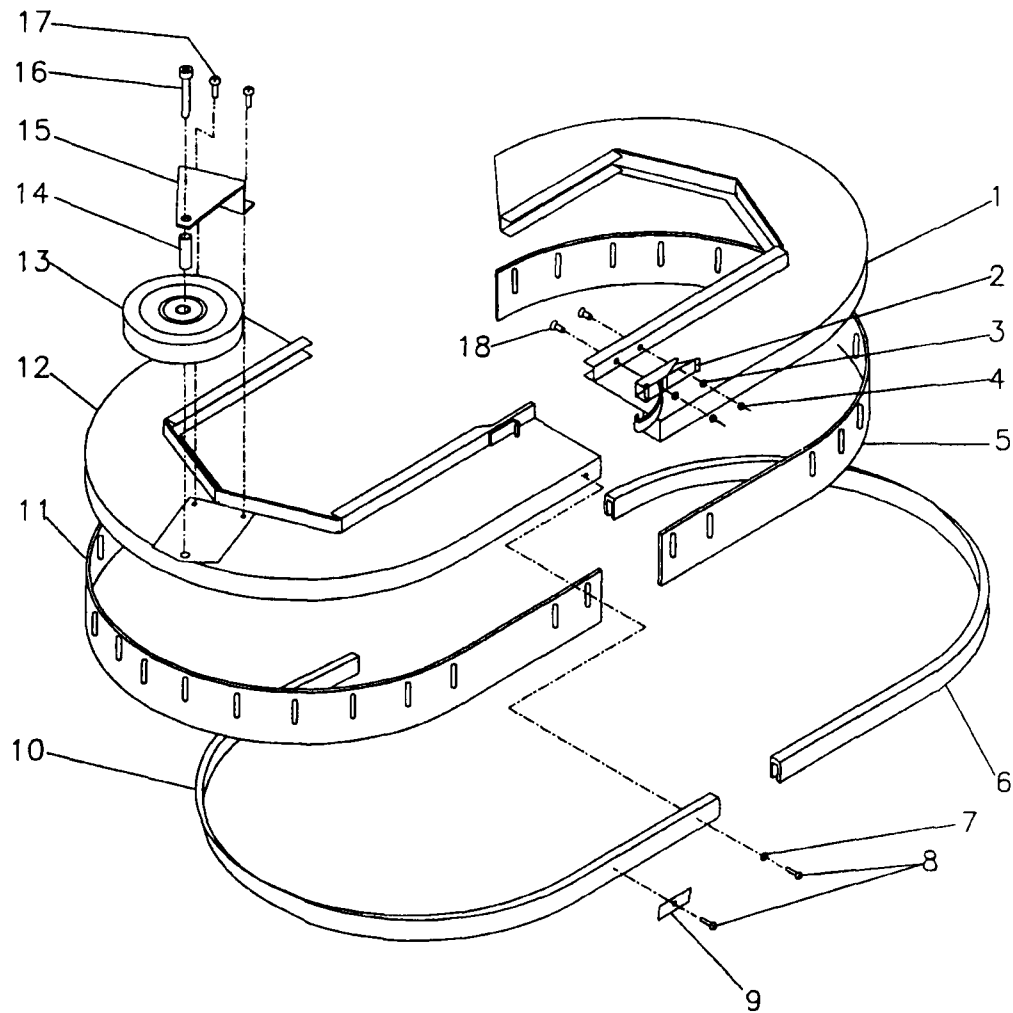
DET	PART NO.	DESCRIPTION	QTY
1	026046	SWITCH,RKR-DPDT	1
2	057836	LABEL-WARNING,AUTOMATICS	1
3	026131	AMMETER,DC-0-75A,ROUND,2.0DIA	1
4	057368	LABEL-INSTR PANEL,AUTO,SS	1
5	056596	KNOB,PLASTIC-BLACK,.92DIAx.95	1
6	057243	KEY,AUTOMATICS-FOR P/N 026584	1
7	026584	STARTER-SWITCH-LOCKING	1
8	026130	SWITCH,RKR-DPDT,ON/OFF/ON	1
9	027161	VOLTMETER-27-45 VDC, ROUND	1
10	026129	SWITCH,RKR-DPST,OFF/ON/(ON)	1
11	027241	SWITCH,RKR-SPDT,ON/OFF MOMT	1
12	057308	GASKET-.125x.500,8.656L,LEFT	1
13	026243	POTENTIOMETER ASSEMBLY	1
14	003361	NUT,HEX LOCK- 6-32,NYLOC	6
15	005387	SCR SET CUP PT .312-18X.500L	2
16	056594	HANDLE,ACTUATOR-AUTOS,PAINTED	1
17	056761	RING,RTNG-INT,.500BORE,N5000	2
18	004208	WSHR FLT .281ID.500OD.036T STL	2
19	002337	SCR CAP SOC HD .250-20X1.50L	2
20	056359	SHAFT,STL-.750DIA,1.75L	2
21	005478	SCR MACH RD HD .250-20X.500L	2
22	056595	HANDLE,STL-.625DIA,PAINTED	1

DET	PART NO.	DESCRIPTION	QTY
23	001331	SCR TPG C PAN HD 10-24X.750L	4
24	057430	LABEL-CIRCUIT BREAKER,SS AUTO	1
25	056499	PANEL,CIRCUIT BREAKER-AUTOS	1
26	026751	CIRCUIT BREAKER-10AMP	2
27	026198	CIRCUIT BREAKER-30AMP,SCR TRM	4
28	004218	WSHR FLT .344ID.750OD.060T STL	2
29	004212	WSHR LK .326ID.586OD.078TSPLT	2
30	003349	NUT,HEX-.312-18,ZN PLT	2
31	027172	HARNESS,WIRE-SS/BRUSH PAUSE	1
32	003244	SCR CAP HEX HD .312-18X.750L	2
33	057322-05	PLATE,STL-BREAKER PANEL,PAINT	1
34	003429	NUT,SPEED,U--.250-20,.58X1.125	2
35	223188	SCR MACH PAN HD 6-32X.500L	2
36	057103	PLUG,DOME--.500DIA,BLK PLSTC	2
37	002248	SCR MACH RD HD .250-20X.750L	2
38	057362	COVER,REAR-MACH,AUTO,33&39SS	1
39	057306	GASKET-.125x.500,13.75L, TOP	1
40	057309	GASKET-.125x.500,8.656R	1
41	057310	GASKET-.125x.500,12.75L	1
42	005479	NUT,HEX LOCK-.250-20,NYLOC,ZN	1
43	057343	PANEL,INSTR-SELECT SCRUB	1
44	002382	SCR TPG F PAN HD 10-10X.500L	6

## AVAILABLE ASSEMBLIES

035465 ASM, INSTRUMENT PANEL-INCLUDES ITEMS 1, 4-5, 7-11, 15-16, 26, 28, 43-44

# KA-33SS BRUSH COVER ASSEMBLY



TM-1933

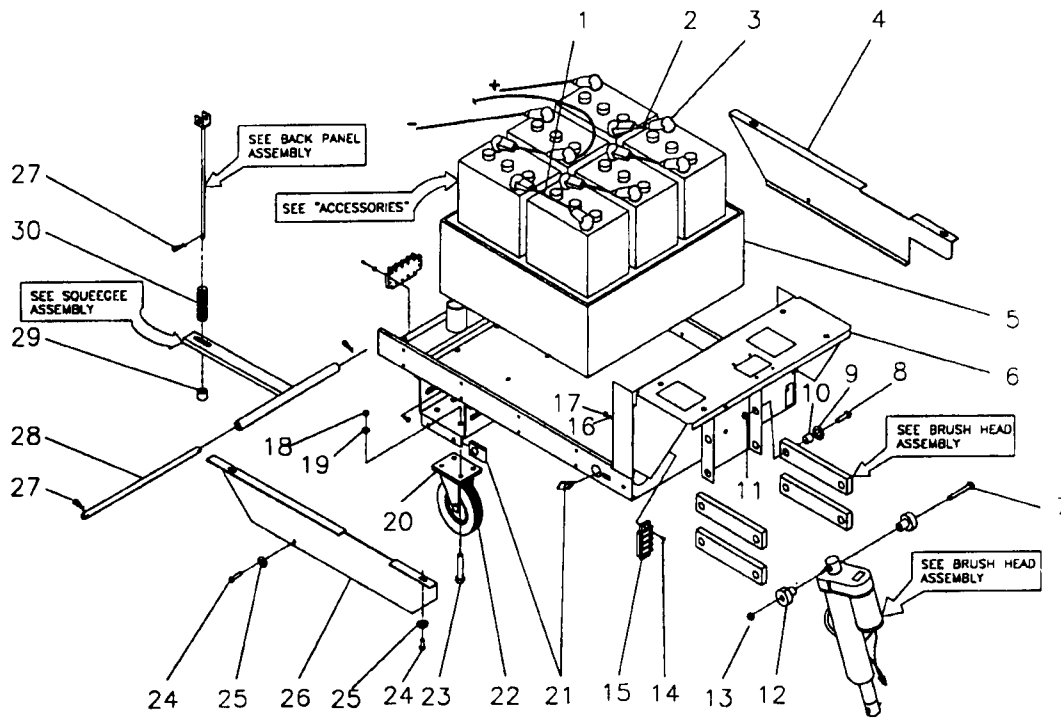
DET	PART NO.	DESCRIPTION	QTY
1	035115	WDMT,BRUSH COVER-33 AUTO,LEFT	1
2	054306	CLAMP,TOGGLE-BLACK,1.62 LATCH	1
3	005297	WSHR LK .200ID.334OD.047TSPLT	2
4	003279	NUT,HEX- 10-24,ZN PLT	2
5	056491	GUARD,SPLASH-.25X2.75,36.50L	1
6	056493	CHANNEL,RUBBER-BRUSH CVR,33,L	1
7	005323	WSHR FLT .203ID.500OD.036T STL	4
8	005482	SCR TPG F PAN HD 10-24X.875L	28
9	052006	STR,STL-.062X.437X1.50 LONG	24
10	056492	CHANNEL,RUBBER-BRUSH CVR,33,R	1

DET	PART NO.	DESCRIPTION	QTY
11	056490	GUARD,SPLASH-.25X2.75,41.50L	1
12	035114	WDMT,BRUSH COVER-33 AUTO,RT	1
13	056673	WHEEL,BLACK-5" OD	1
14	056684	SPACER,STL-.500X17GA,1.50L,Z	1
15	056120	BRACKET-BRUSH HEAD GUIDE	1
16	005536	SCR CAP SOC HD .375-16X2.00L	1
17	002357	SCR MACH PAN HD .250-20X.625L	2
18	001288	SCR MACH FLT HD 10-24X.500L	2

## AVAILABLE ASSEMBLIES

035124 ASM, BRUSH COVER, LEFT--INCLUDES ITEMS 9-18  
 035125 ASM, BRUSH COVER, RIGHT--INCLUDES ITEMS 1-11

# KA-33SS FRAME ASSEMBLY

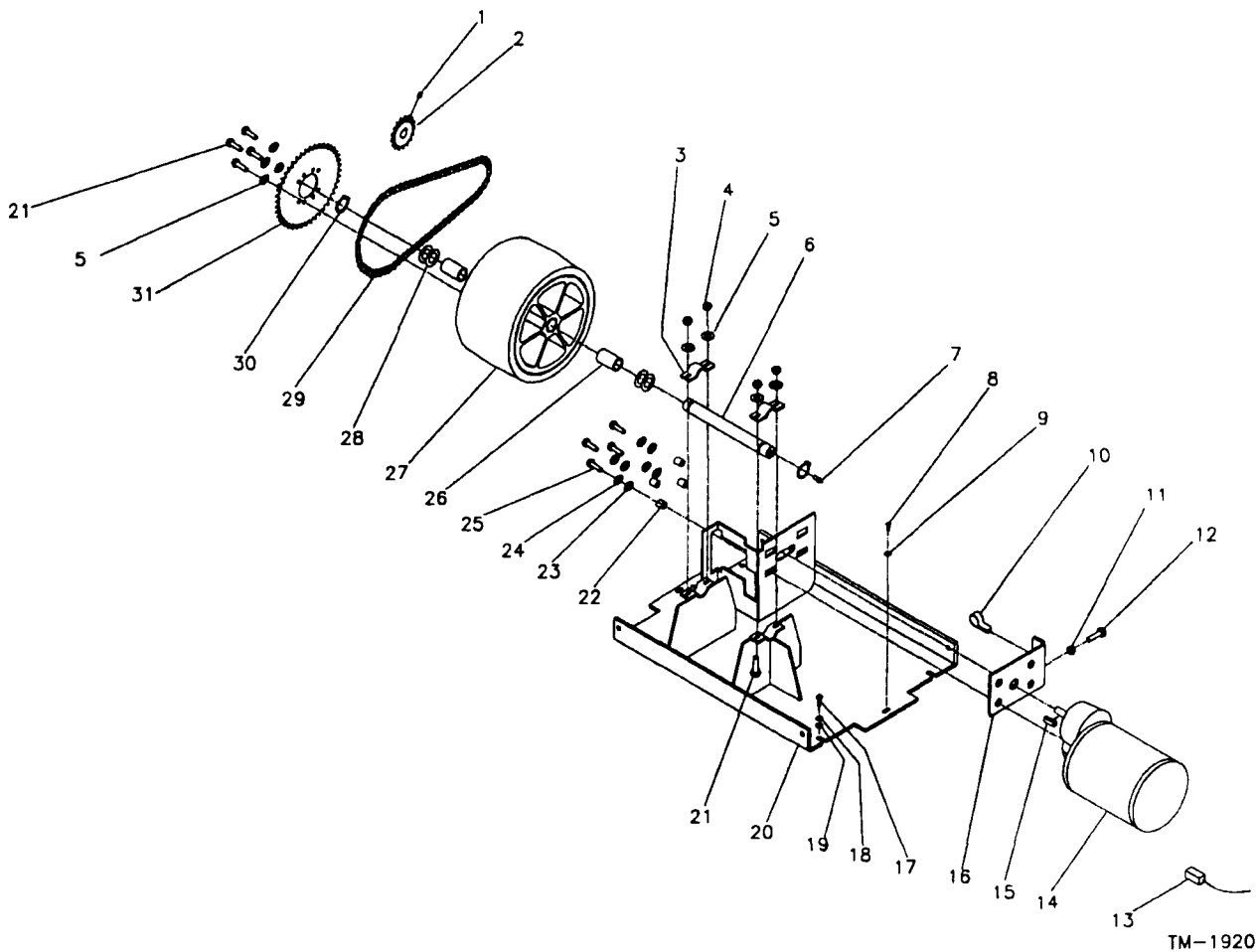


TM-1949

DET	PART NO.	DESCRIPTION	QTY
1	025274	ASM,WIRE- 6GA,BLK,14.0L,RINGS	1
2	025085	ASM,WIRE- 6GA,BLK,10.2L,RINGS	4
3	054186	BOOT,INSULATOR-BATT TERMINALS	12
4	056357	SKIRT,LOWER-LEFT,DURASCRUB	1
5	053534	BOX,BATT-32" AUTO'S,MACHINED	1
6	035089	WDMT-UPPER CHASSIS	1
7	003267	SCR CAP HEX HD .375-16X2.75L	1
8	003270	SCR CAP HEX HD .500-13X1.25L	4
9	004238	WSHR FLT .531ID1.00OD.071T STL	4
10	056473	SPACER,STL-.531X.750, .218L,Z	4
11	003370	NUT,HEX LOCK-.500-13,ZN PLT	4
12	054502	BSHG,SLV-.377ID.498OB1.00FLNG	2
13	005279	NUT,HEX LOCK-.375-16,NYLOC	1
14	005457	SCR MACH PAN HD 10-24X1.00L	8
15	026111	TERMINAL BLOCK-4 TERM,50 AMP	2

DET	PART NO.	DESCRIPTION	QTY
16	004253	WSHR LK .204ID.410OD.025T EXT	8
17	003279	NUT,HEX- 10-24,ZN PLT	8
18	003293	NUT,HEX-.375-16,ZN PLT	8
19	004214	WSHR LK .390ID.683OD.094TSPLT	8
20	039563	KIT,WHEEL&AXLE-FOR 055658	2
21	003429	NUT,SPEED,U--.250-20,.58X1.125	4
22	055658	CASTER,SWIVEL-5.0 DIA,700 LB	2
23	003262	SCR CAP HEX HD .375-16X1.00L	8
24	002480	SCR MACH PAN HD .250-20X.625L	6
25	004254	WSHR LK .267ID.510OD.028T EXT	6
26	056358	SKIRT,LOWER-RIGHT,DURASCRUB	1
27	004352	PIN,LOCK-.125 DIA WIRE	3
28	056371	SHAFT,STL-.375 DIA,14.62L	1
29	056683	SPACER,STL-.391X.625, .500L,Z	1
30	056618	SPRING,COMP .845D 3.50L .100WD	1

# KA-33SS CHASSIS ASSEMBLY



TM-1920

DET	PART NO.	DESCRIPTION	QTY
1	002234	SCR SET CUP PT .250-20X.500L	1
2	G741122	SPRKT,CHAIN-#40,.50P,11T,.75B	1
3	056327	CLAMP,AXLE-BLACK	2
4	003349	NUT,HEX-.312-18,ZN PLT	4
5	004212	WSHR LK .326ID.586OD.078TSPLT	8
6	056258	AXLE-1.00 DIA X 9-5/16"L	1
7	054330	ZERK,GREASE-.250-28 THREAD	1
8	002480	SCR MACH PAN HD .250-20X.625L	2
9	004254	WSHR LK .267ID.510OD.028T EXT	2
10	003429	NUT,SPEED,U-.250-20,.58X1.125	1
11	222226	NUT,HEX JAM-.250-20,ZN PLT	1
12	002454	SCR CAP HEX HD .250-20X1.50L	1
13	039276	BRUSH,MTR-FOR 024372&027153	4
14	G741124	TRAVERSE MOTOR-	1
15	045815	KEY,SQUARE-.250 SQ, .875 LONG	1
16	057833-05	BRACKET,TENSION-TRAC DRV,BLK	1

DET	PART NO.	DESCRIPTION	QTY
17	003259	SCR CAP HEX HD .375-16X.625L	4
18	004215	WSHR LK .398ID.694OD.040T EXT	4
19	005320	WSHR FLT .406ID.750OD.060T STL	4
20	035608-05	WDMT,BASE-36V MTR&WHEEL,AUTO	1
21	003244	SCR CAP HEX HD .312-18X.750L	8
22	050974	SPACER,STL-.281X.500, .41 LG	4
23	004462	WSHR FLT .250ID1.00OD.062T STL	4
24	002278	WSHR LK .262ID.489OD.062TSPLT	4
25	002254	SCR CAP HEX HD .250-20X.875L	4
26	027130	BEARING,SLEEVE-1"ID,1.25"OD	2
27	035097	ASM,WHEEL-10"OD,AUTO'S	1
28	004330	WSHR FLT 1.05ID1.50OD.036T STL	4
29	057899	CHAIN,ROLLER-#40,67LK & CONN	1
30	048537	RING,RTNG-EXT,.984 SHAFT,5160	2
31	051376	SPROCKET,CHAIN-#40,.500P,.44T	1

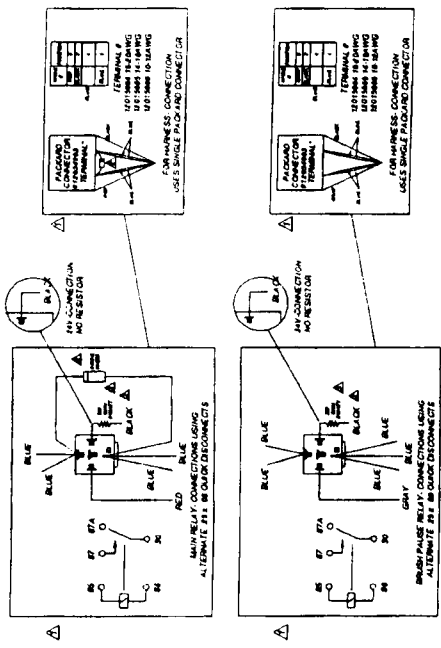
## AVAILABLE ASSEMBLIES

035609-1

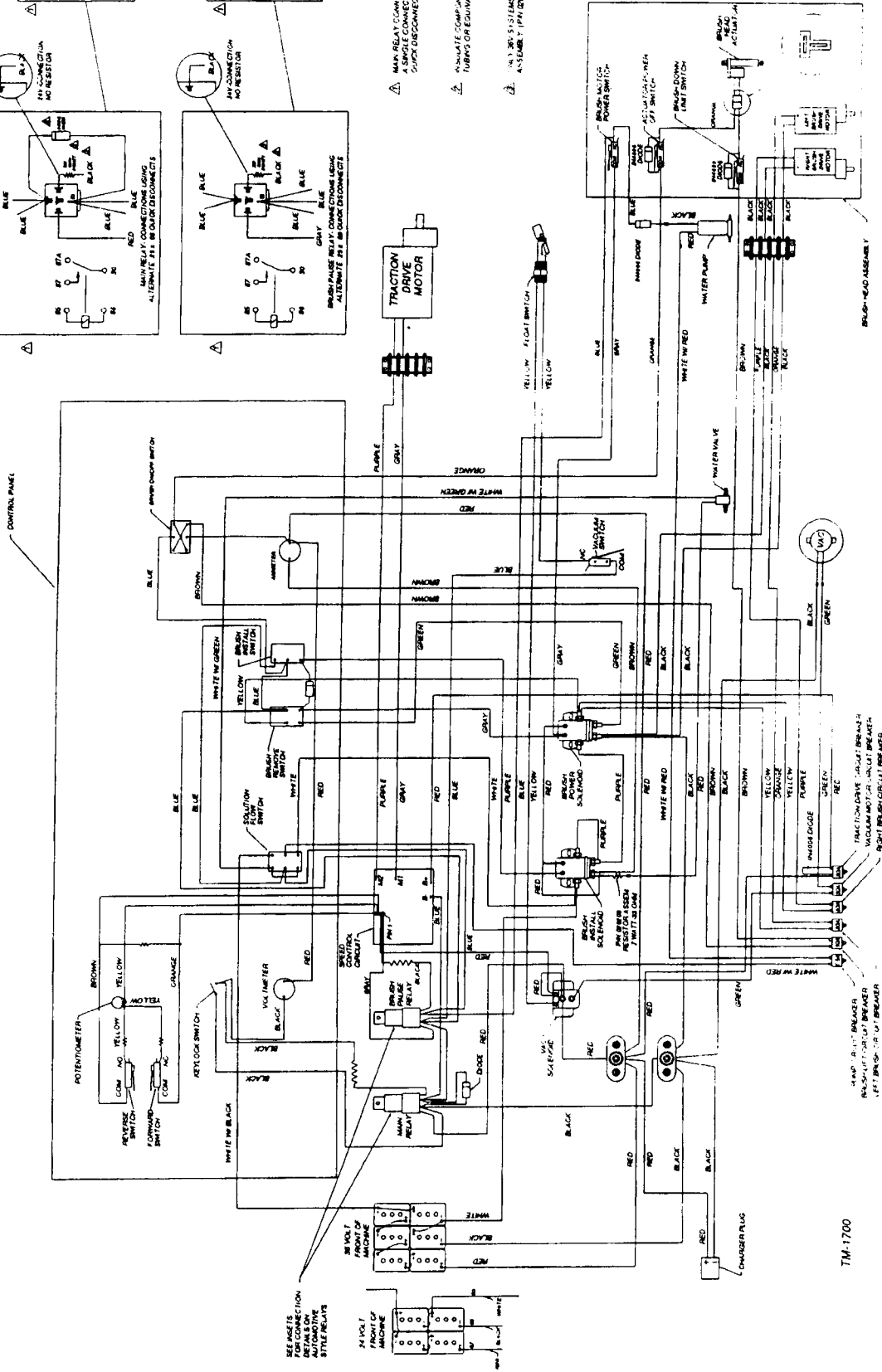
ASM, LOWER CHASSIS--INCLUDES ITEMS 1-31

# WIRING DIAGRAM

## AUTOMOTIVE STYLE RELAY CONNECTION DETAIL



- ▲ MAIN RELAY CONNECTIONS CAN BE MADE WITH MAIN RELAY OR INDIVIDUAL SWITCH DISCONNECTS AS SHOWN
- △ INMATE COMPONENTS WITH NEAT SHrinkABLE TUBING OR EQUIVALENT INSULATION
- Ⓜ IN 30V SYSTEMS REQUIRE THE RESISTOR AS SHOWN (IN PARENTS 1)



SEE PAGE 15 FOR CONNECTION DETAIL ON STYLE RELAYS

24 VOLT FRONT OF MACHINE

TM-1700



**KENT**

The Kent Company  
2310 Industrial Parkway  
P.O. Box 1665  
Elkhart, IN 46515, U.S.A.  
Telephone: (800) 334-1083  
(219) 293-8661  
Fax (219) 295-8610