



## Electronic Service Manuals

This electronic document is provided as a service to our customers. We do not create the contents of the information contained in this document. Should you have detailed questions pertaining to the information contained in this document, you may contact Michco, or the manufacturer which provided the original information in this electronic deliverable. Michco's only part in this electronic deliverable was the electronic assembly process. By providing this manual on line we are not guaranteeing parts availability.

You may contact Michco through the following methods:

Phone (517) 484-9312 or (800) 331-3339

2011 N. High St. -- Lansing, Michigan -- 48906

Fax: (517) 484-9836

Email: [CustServe@Michco.com](mailto:CustServe@Michco.com)

Web site: [www.Michco.Com](http://www.Michco.Com)

Parts Web site: [www.FloorMachineParts.Com](http://www.FloorMachineParts.Com)

Order Parts on Line at:

**[www.FloorMachineParts.Com](http://www.FloorMachineParts.Com)**

Directly to Parts & Service:

By Email: **[Shop@Michco.com](mailto:Shop@Michco.com)**

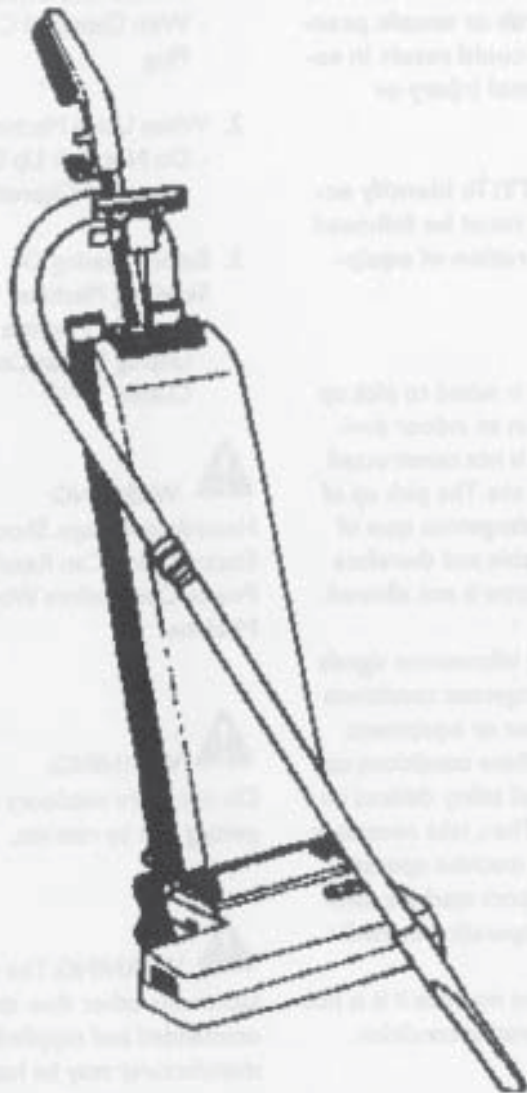
By Fax: (517) 702-2041

By Voice: Use numbers above.

**Serving the Cleaning Industry Since 1922**

Notice: All copyrighted material remains property of original owners, all trademarks are property of respective owners. Manuals are subject to Manufacturer's reproduction limitations. Originals or reproductions were provided by manufacturers through a request. We make no warranty as to the correctness of information provided in this document and you assume all risk. By placing these manuals on line we are not declaring our corporation to be an manufacturer authorized dealer or provider, please check our web site for authorized manufacturers we represent.

# EVAC 14/18 INCH



## INSTRUCTION MANUAL USA

Eagle Power Products  
1174 Northland drive  
MN 55120 Mendota Heights  
U.S.A.

This manual is furnished with each new model. It provides necessary operating and preventive maintenance instructions. Read this manual completely and understand the machine before operating or servicing it.

This machine will provide excellent service. However, the best results will be obtained at minimum costs if:

- The machine is operated with reasonable care.
- The machine is maintained regularly - per the maintenance instructions provided.
- The machine is maintained with Eagle Power Products supplied or approved parts.

Parts and supplies may be ordered by phone or mail from any Eagle Power Products parts and service center, distributor or from any of the Eagle Power Products subsidiaries.


A complete illustrated parts list is supplied with this machine, use this list to order parts. Before ordering parts or supplies, be sure to have your machine model number and serial number handy.

## TABLE OF CONTENTS

|  |        |
|--|--------|
| SAFETY PRECAUTIONS .....                 | 2-US   |
| GENERAL INSTRUCTIONS .....               | 3-US   |
| MACHINE COMPONENTS .....                 | 3-US   |
| INSTALLATION .....                       | 3-US   |
| PLACING POWER CORD .....                 | 3-US   |
| MACHINE OPERATION .....                  | 3-US   |
| PRE OPERATION CHECKS .....               | 3-US   |
| UPRIGHT CARPET VACUUM CLEANING .....     | 3-US   |
| REMOTE VACUUM WAND CLEANING .....        | 3-US   |
| THE DUST BAG FULL INDICATOR .....        | 3-US   |
| DUST BAG REMOVAL AND INSTALLATION .....  | 4-US   |
| ROUTINE CARE AND MAINTENANCE .....       | 4-US   |
| THERMAL OVERLOAD .....                   | 4-US   |
| CLEANING OR REPLACING INLET FILTER ..... | 4-US   |
| REPLACING BRUSH .....                    | 4-US   |
| TORAGE INFORMATION .....                 | 4-US   |
| WARRANTY .....                           | 4-US   |
| SPECIFICATIONS .....                     | 5-US   |
| TROUBLE SHOOTING .....                   | 5-US   |
| PLACING AN ORDER .....                   | 6-US   |
| FINDING A PART NUMBER .....              | 6-US   |
| ELECTRICAL DIAGRAM .....                 | 1-T    |
| PARTS LIST .....                         | 2T-11T |
| UPPER UNIT .....                         | 2T- 5T |
| LOWER UNIT .....                         | 6T-11T |

## SAFETY PRECAUTIONS

The following expressions are used throughout this manual as indicated in their description:

 **WARNING:** To warn of hazards or unsafe practices which could result in severe personal injury or death.

**FOR SAFETY:** To identify actions which must be followed for safe operation of equipment.

### USAGE


This machine is suited to pick up dirt and dust in an indoor environment and is not constructed for any other use. The pick up of any liquid or dangerous type of dust is unsuitable and therefore usage of this type is not allowed.


The following information signals potentially dangerous conditions to the operator or equipment. Know when these conditions can exist. Locate all safety devices on the machine. Then, take necessary steps to train machine operating personnel. Report machine damage or faulty operation immediately.


Do not use the machine if it is not in proper operating condition.

## FOR SAFETY

1. Do Not Operate, Maintain, or Service Machine:
  - Unless Trained And Authorized.
  - Unless Operation Manual Is Read And Understood.
  - With Damaged Cord Or Plug.
2. When Using Machine:
  - Do Not Pick Up Live Ashes Or Cigarette Butts.
3. Before Leaving Or Servicing Machine:
  - Turn Off Machine And Unplug Power Cord From Outlet.

 **WARNING:** Hazardous Voltage. Shock Or Electrocutation Can Result. Unplug Power Cord Before Working On Machine.

 **WARNING:** Do not store outdoors and avoid getting wet by rain etc.

 **WARNING:** The use of attachments other than those recommended and supplied by the manufacturer may be hazardous.

## GENERAL INSTRUCTIONS

Throughout this book references are made to figure numbers. These figures can be found on the page at the end of this manual.

## MACHINE COMPONENTS

Refer to fig. 1

1. Handle
2. Option mount
3. Full Bag Light
4. Main Power Switch
5. Door Latch
6. Bag Housing
7. Release Handle
8. Electronic Display
9. Handle Pivot
10. Brush Housing
11. Power Brush Housing
12. Hose
13. Upper Cord Hook
14. Power Cord
15. Wand
16. Transport Handle
17. Thumb Nut
18. Base Inlet Connector
19. Cord Pigtail
20. Rear Wheel

*Note: The italicized words in the following sections refer to items in the MACHINE COMPONENTS list. These are only italicized the first time they appear.*

## INSTALLATION

Carefully check carton for signs of damage. Report damages at once to the carrier.

Unpack the machine and check machine for completeness according to the packing list. Check whether the cord plug installed corresponds to your wall outlet. Complete the machine:

1. Install handle by sliding it into the opening in the top of the bag housing until it bottoms out. Install and tighten with the M5 thumbscrew.
2. Install the hose by pushing one end into the top of the bag housing. Push the other end into the wand.
3. Position the open end of wand over the opening of the power brush housing and while referring to figure 2 push the wand into the sleeve in the back of bag housing until it snaps into the notch (see arrow in figure 2).
4. Make sure the dust bag is installed. For instructions refer to the DUST BAG REMOVAL AND INSTALLATION.

5. Snap the upholstery tool and crevice tool into the option mount.
6. Plug the cord pigtail into the outlet at the back of the vacuum housing.

## PLACING POWER CORD

According to your preference you can place the power cord on the machine in two ways:

1. Coil the cord (starting at the machine side to prevent cord turns) and hang it on the upper cord hook.
2. Wrap cord around the upper and lower hooks.

## MACHINE OPERATION

**NOTE:** This machine is suitable for voltages from 100-120 Volt AC / 60 Hz.

### PRE OPERATION CHECKS

1. Check to ensure a dust bag is installed. Replace bag if needed.
2. Check brush area for any thread, string or debris that may be wrapped around the brush.

## UPRIGHT CARPET VACUUM CLEANING

1. Plug the power cord into a receptacle.
2. Adjust the brush height knob to suit the carpet thickness you are going to clean. The carpet indicator shows its position (1-4). Refer to figure 3.
3. Turn the main power switch on. The vacuum fan motor will turn. Refer to figure 4.
4. While holding the handle depress the red release handle pedal (refer to figure 5) and lower the handle to a convenient operating position. When the handle is lowered the brush motor will start turning.
5. Clean the floor using normal vacuuming procedure.

## REMOTE VACUUM WAND CLEANING

1. Keep machine in a stable position, preferably an upright position.
2. Plug in the power cord and switch on the machine as described in the UPRIGHT CARPET VACUUM CLEANING.

3. Remove the wand by snapping it out of the retainer clip and pulling it from its inlet. The brush motor will stop automatically when the wand is removed.
4. Attach your choice of either the upholstery or crevice tool to the wand and clean as you like.
5. When finished cleaning replace the tool and wand to their storage positions. Make sure the wand fits tightly into the base inlet so it will not leak. Refer to figure 2.

## THE DUST BAG FULL INDICATOR

1. Your machine has a red full bag light which will come on when the airflow is obstructed indicating the dust bag is full.
2. If the light comes on switch off the machine, unplug the cord and check the dust bag. Replace the bag when it is full. For instructions see the DUST BAG REMOVAL AND INSTALLATION.
3. If the light comes on and the dust bag is not full there is an obstruction somewhere in the system.

**DUST BAG REMOVAL AND INSTALLATION**

(Refer to figure 6).

1. Open the bag housing by pushing on the door latch. Fold the ends of the dust bag together and carefully remove the bag. Dump the bag in a disposal container.
2. Always install a new dust bag directly after removing a full one.
3. To install the new dust bag, push the bag onto the inlet of the fan motor as far as it will go. Fold the top down so it will not interfere with the door latch.
4. Close the door ensuring that it latches properly.

**ROUTINE CARE AND MAINTENANCE**

The maintenance should be carried out by authorised maintenance personnel only. Every year the machine should be safety certified according to local safety standards (UVV). Contact your dealer for the most adequate and best service.

**⚠ WARNING: Hazardous Voltage. Shock or Electrocution Can Result. Unplug Power Cord Before Working On Machine.**

The machine exterior should be cleaned once a week with a dust towel. A damp towel together with a mild detergent may be used.

**DO NOT USE WATER.****Every week**

Inspect and clean the filter at the vacuum motor inlet.

**Every month**

Inspect brush for wear. If brush strips no longer touch the carpet they have to be replaced.

**Every year**

The carbon brushes in the vacuum and brush motor have to be inspected for wear.

The vacuum cleaner is equipped with an electronic power brush alert: two lights - GREEN and RED. Refer to figure 7.

**GREEN LIGHT:**

Lower Brush operates properly.

**RED & GREEN LIGHT:**

Brush drive belt broken. Refer to Trouble Shooting.

**RED LIGHT:**

Brush rotation obstructed. Refer to Trouble Shooting.

These lights alert the operator of problems which must be corrected immediately. Monitor these lights during operation.

**THERMAL OVERLOAD**

The internal temperature of the vacuum motor is sensed at all times. When the temperature gets too high the sensor shuts off the vacuum motor. Inspect the machine for any air obstruction. The sensor will reset automatically when the sensor and electric motor have cooled sufficiently. The motor can then be re-started.

**CLEANING OR REPLACING INLET FILTER**

(Refer to figure 8)

1. Remove the dust bag.
2. Snap the filter retainer from its fitting.
3. Remove the filter and clean by shaking or vacuuming.

Note: Replace the filter if worn or not cleanable.

4. Replace filter in the retainer

and snap it into place.

5. Replace dust bag.

**CAUTION:** Do not operate the vacuum without the inlet filter in place.

**REPLACING BRUSH**

(Refer to figure 9)

1. Remove the screw holding the brush access plate and remove plate.
2. Grasp the brush strip and slide it out of the brush extension.
3. Replace the strip with a new one and slide it into place.
4. Replace the access plate and install the screw.

**STORAGE INFORMATION**

The machine may be stored in any dry area. The machine may be parked either in a horizontal or an upright position.

**WARRANTY**

Eagle Power Products warrants to the original purchaser that products manufactured by Eagle Power Products are free from defects of workmanship and material, provided such goods are installed, operated and maintained in accordance with Eagle Power Products written manuals or other instructions.

In case you, as our customer, encounter any trouble with your machine contact your Eagle Power Products representative who will be obliged to be of service to you and will take care of the warranty settlement.

Eagle Power Products representatives are able to service you with detailed warranty conditions as well as periodic maintenance contracts.

**NOTE:** Alterations and charges made to the machine without written approval of Eagle Power Products and use of unapproved spare parts will not be covered by warranty.

## SPECIFICATIONS

| Item             | Dimension/Capacity |         |
|------------------|--------------------|---------|
|                  | 14"                | 18"     |
| Lenght           | 260 mm             | 260 mm  |
| Width            | 360 mm             | 460 mm  |
| Height           | 1200 mm            | 1200 mm |
| Weight           | 10 kg              | 10,5kg  |
| Brush width      | 310 mm             | 410 mm  |
| Sweeping path    | 310 mm             | 410 mm  |
| Powercord length | 10 M               | 10 M    |
| Brush motor      | 1,7 A              | 1,9A    |
| Vacuum motor     | 6,7 A              | 6,1 A   |
| Filter bag       | 5.7L               | 5.7L    |

## TROUBLE SHOOTING

|                             |   |  |
|-----------------------------|---|--|
| Vacuum motor is off.        | Machine unplugged.                        | Plug the machine in.   |
|                             | Switch in off position.                   | Switch on machine.   |
|                             | Sensor temperature too high.              | Check for air obstruction.<br>Let the motor cool down.                                       |
|                             | Faulty switch.                            | Replace switch.<br>Request service call.   |
| Brush motor is off.         | Machine unplugged.                        | Plug the machine in.   |
|                             | Brush switch off.                         | Switch brush on.   |
|                             | Wand not installed correctly.             | Re-install wand.   |
| RED LIGHT ON.               | Brush motor obstructed.                   | Unplug machine and inspect for obstruction.<br><br>Request service call.                     |
|                             | Brush drive belt broken.                  | Request service call.  |
| Full bag indicator flashes. | Dust bag full.                            | Replace dust bag.  |
|                             | Hose and wand blocked.                    | Inspect for obstruction.   |
|                             | Power brush inlet blocked.                | Inspect for obstruction.   |
|                             | Inlet filter blocked.                     | Clean or replace inlet filter.   |
|                             | Deflector port sealing in top of housing. | Check for free movement.   |
| Low suction.                | Dust bag full.                            | Replace bag.   |
|                             | Full bag indicator flashes.               | See Full Bag Indicator Flashes.  |
|                             | Wand not installed correctly.             | Re-install wand.   |
| Poor pick up.               | Brush not adjusted correctly.             | Adjust brush height knob to conform to carpet thickness (pile).<br><br>Request service call. |
|                             | Brush worn.                               | Replace brush.   |

## PLACING AN ORDER

Orders may be placed by phone, fax, or by mail. Phone orders may need written confirmation. Follow the steps below to insure prompt delivery:

1. Identify the model number of your machine.
2. Identify the serial number of your machine.
3. Find the part number of the part you need. Do not order by page number or reference number. If you are not able to find the part number, call your Michigan Company, Inc. representative for help or send the old part as a sample.
4. Determine the quantity of the part you need.
5. Provide the following company information:
  - Company name
  - Customer ID Number
  - Shipping address
  - Billing address
  - First and last name of person ordering parts
  - Telephone number
  - Purchase order number
6. Provide definitive shipping instructions.

Any claim for loss or damage to a shipment in transit should be filed promptly with the transportation company making the delivery.

## FINDING A PART NUMBER

The parts illustrations are numbered with **Ref** numbers which refer to corresponding parts lists. The parts lists include a number of columns of information:

- **Ref** - column refers to the reference number on the parts illustration.
- Eagle Power Products **Part No.** - column lists the part number for the part.
- **Description** - column is a brief description of the part.
- **Qty.** - column lists the quantity of that part used in that area of the machine.

### DESCRIPTION SUBJECT

No. of units shown

No. of units shown

NO. THRU CAR

NO. THRU PARTS & SUP

NO. THRU PARTS & SUP

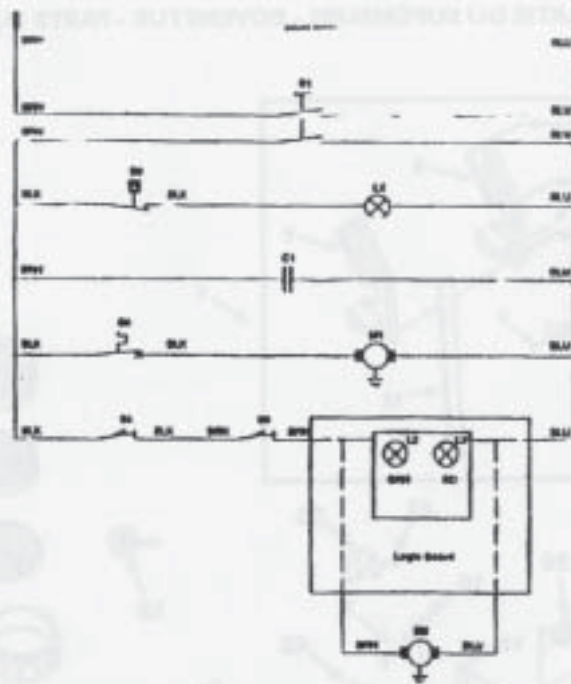
NO. THRU PARTS & SUP

NO. THRU PARTS & SUP

### DESCRIPTION SUBJECT

| Ref | Part No. | Description | Qty. |
|-----|----------|-------------|------|
| 101 | 101-101  | 101-101     | 1    |
| 102 | 101-102  | 101-102     | 1    |
| 103 | 101-103  | 101-103     | 1    |
| 104 | 101-104  | 101-104     | 1    |
| 105 | 101-105  | 101-105     | 1    |
| 106 | 101-106  | 101-106     | 1    |
| 107 | 101-107  | 101-107     | 1    |
| 108 | 101-108  | 101-108     | 1    |
| 109 | 101-109  | 101-109     | 1    |
| 110 | 101-110  | 101-110     | 1    |
| 111 | 101-111  | 101-111     | 1    |
| 112 | 101-112  | 101-112     | 1    |
| 113 | 101-113  | 101-113     | 1    |
| 114 | 101-114  | 101-114     | 1    |
| 115 | 101-115  | 101-115     | 1    |
| 116 | 101-116  | 101-116     | 1    |
| 117 | 101-117  | 101-117     | 1    |
| 118 | 101-118  | 101-118     | 1    |
| 119 | 101-119  | 101-119     | 1    |
| 120 | 101-120  | 101-120     | 1    |

ELECTRICAL DIAGRAM-ELEKTRISCHES SYSTEM-SYSTÈME ÉLECTRIQUE-ELEKTRISCH SYSTEEM-SISTEMA ELÉCTRICO-SYSTÈME ÉLECTRIQUE



LEGEND

LEGENDE

LÉGENDE

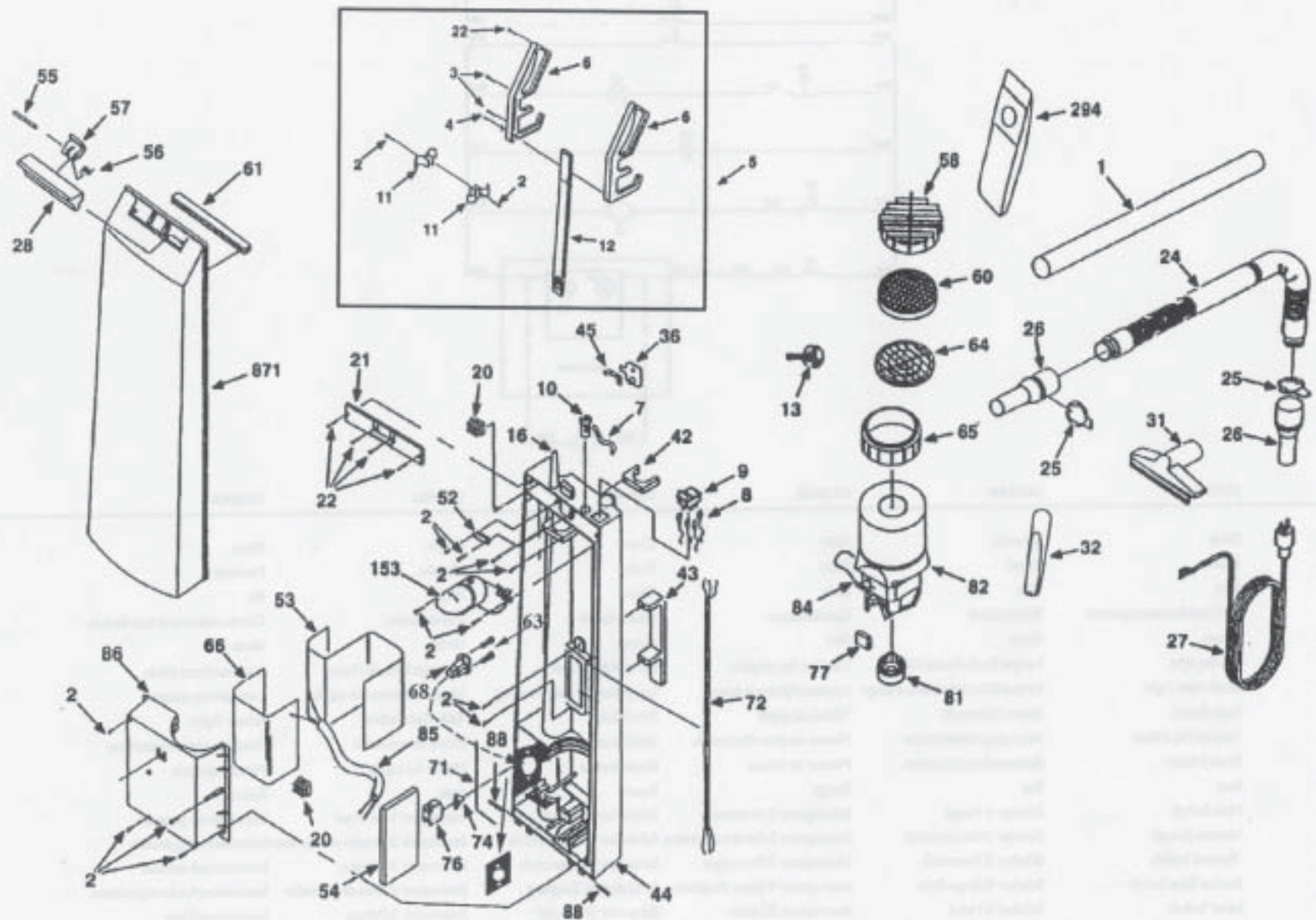
LEGENDA

LEYENDA

LEGENDA

|             |   |                             |                                |                                       |                            |                                     |                                  |
|-------------|---|-----------------------------|--------------------------------|---------------------------------------|----------------------------|-------------------------------------|----------------------------------|
| BLK         | = | Black                       | Schwarz                        | Noir                                  | Zwart                      | Negro                               | Nero                             |
| BRN         | = | Brown                       | Braun                          | Brun                                  | Bruin                      | Marrón                              | Marrone                          |
| BLU         | = | Blue                        | Blau                           | Bleu                                  | Blauw                      | Azul                                | Blu                              |
| C1          | = | Anti-interference capacitor | Kondensator                    | Condensateur                          | Condensator                | Condensador                         | Condensatore anti interferenza   |
| GRN         | = | Green                       | Grün                           | Vert                                  | Groen                      | Verde                               | Verde                            |
| L1          | = | Full Bag light              | Lampe:Staub-Beutel voll        | Lumière: Sac de plein                 | Lamp:Volle Stofzak         | Lámpara: Saco de Pleno              | Luce sacchetto pieno             |
| L2 & L3     | = | Brush Alert Light           | Lampe: Bürstenbetriebs anzeige | Lumière: Alarme la brosse             | Lamp: Borstel waarschuwing | Lámpara: Alarma del cepilo          | Luce allarme spazzola            |
| Logic Board | = | Logic Board                 | Steuer-Elektronik              | Tableau Logique                       | Print Plaat                | Tabla Calculadora                   | Scheda logica                    |
| M1          | = | Vacuum Fan Motor            | Absaugventilatormotor          | Moteur turbine d'aspiration           | Ventilatormotor            | Motor de aspirador                  | Ventola motore aspirazione       |
| M2          | = | Brush Motor                 | Bürsten-Antriebsmotor          | Moteur de brosse                      | Borstelmotor               | Motor del cepilo                    | Motore spazzola                  |
| RD          | = | Red                         | Rot                            | Rouge                                 | Rood                       | Rajo                                | Rosso                            |
| S1          | = | Main Switch                 | Schalter 1:Haupt               | Interrupteur 1: de réseau             | Schakelaar 1: aan/uit      | Interruptor 1: de red               | Interruttore 1: generale         |
| S2          | = | Vacuum Switch               | Schalter 2:Vakuumdruck         | Interrupteur 2: Pression d'aspiration | Schakelaar 2: Vakuumdruk   | Interruptor 2: Presión de aspirador | Interruttore 2: aspiratore       |
| S3          | = | Thermal Switch              | Schalter 3:Thermisch           | Interrupteur 3:Thermique              | Schakelaar 3: Thermisch    | Interruptor 3: Termico              | Interruttore 3: termico          |
| S4          | = | Suction Tube Switch         | Schalter 4: Sauge-Rohr         | Interrupteur 4: Tuyau d'aspiration    | Schakelaar 4: Zuiglang     | Interruptor 4: Tubo de aspirador    | Interruttore 4: tubo aspirazione |
| S5          | = | Lever Switch                | Schalter 5: Hebel              | Interrupteur 5: Levier                | Schakelaar 5: Handel       | Interruptor 5: Palanca              | Interruttore 5: leva             |

FIG.1 - UPPER UNIT - OBERTEIL - PARTIE DU SUPÉRIEURE - BOVENSTUK - PARTE SUPERIOR - PARTE SUPERIORE.



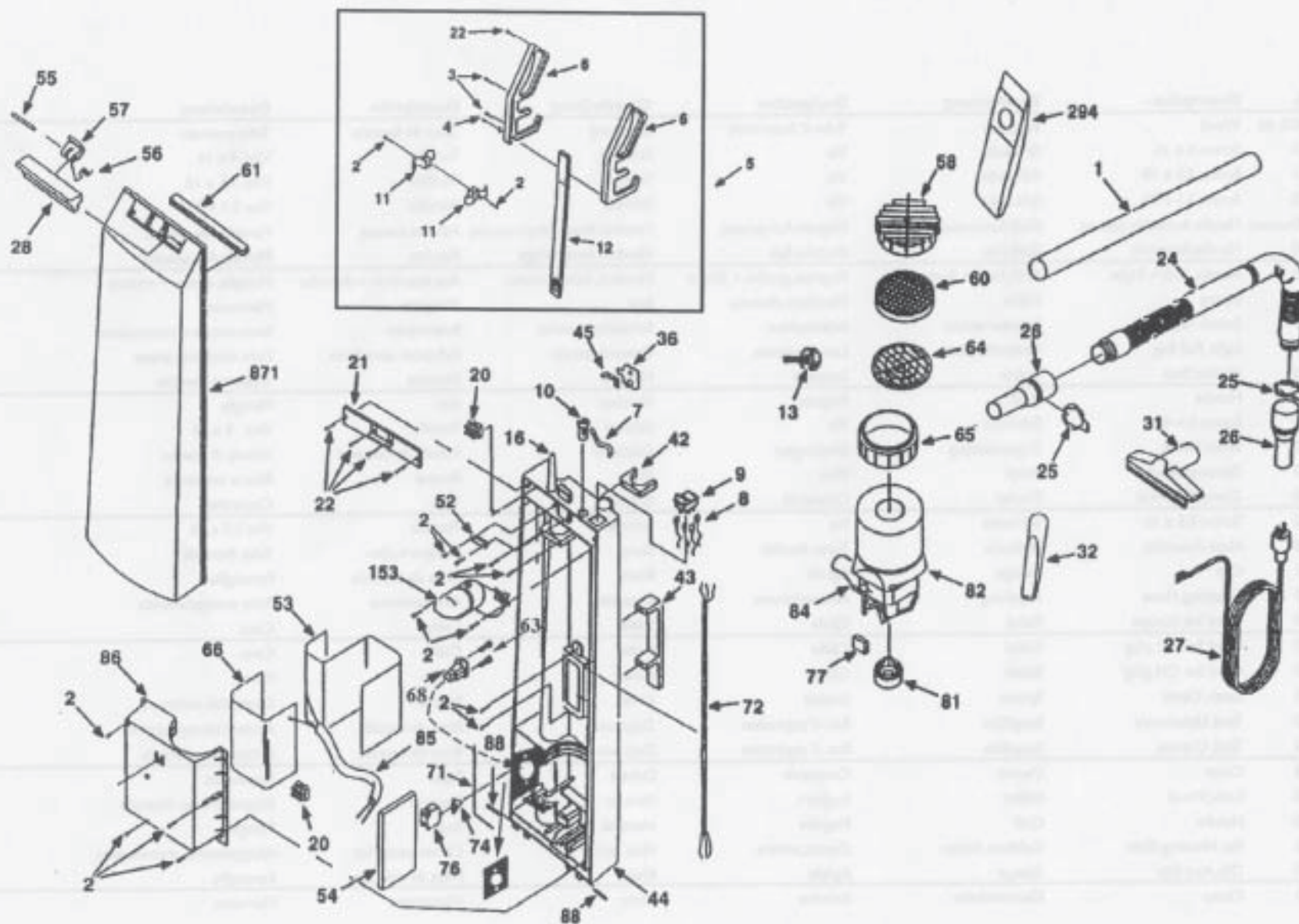
PARTS LIST - ERSATZTEILLISTE - LISTE DES PIÈCES - ONDERDELENLIJST - LISTA DE REPUESTOS - LISTA COMPONENTI

FIG.1 - UPPER UNIT - OBERTEIL - PARTIE DU SUPÉRIEURE - BOVENSTUK - PARTE SUPERIOR - PARTE SUPERIORE-

| Ref. | Part No.              | Description                 | Bezeichnung           | Designation              | Omschrijving                   | Descripción              | Descrizione                 | Qty/<br>Zahl |
|------|-----------------------|-----------------------------|-----------------------|--------------------------|--------------------------------|--------------------------|-----------------------------|--------------|
| 1    | 02.0001.0/2 (a)       | Wand                        | Saugrohr              | Tube d'Aspiration        | Zuigstang                      | Tubo de Succión          | Tubo cromato                | 1            |
| 2    | 00.0002.3             | Screw, 4 x 16               | Schraube              | Vis                      | Schroef                        | Tornillo                 | Vite, 4 x 16                | 14           |
| 3    | 00.0002.1             | Screw, 3,5 x 18             | Schraube              | Vis                      | Schroef                        | Tornillo                 | Vite, 3,5 x 18              | 2            |
| 4    | 00.0002.2             | Screw, 3,5 x 25             | Schraube              | Vis                      | Schroef                        | Tornillo                 | Vite 3,5 x 25               | 1            |
| 5    | 01.0001.0 (a) (a) (a) | Handle Assembly (a) (a) (a) | Griff Ass (a) (a) (a) | Piignée Ass (a) (a) (a)  | Handvat Assemblage (a) (a) (a) | Asa Ass (a) (a) (a)      | Maniglia Ass (a) (a) (a)    | 1            |
| 5    | 01.0001.0             | Handle Assembly             | Griff Ass             | Piignée Ass              | Handvat Assemblage             | Asa Ass                  | Maniglia Ass (a) (a) (a)    | 1            |
| 6    | 01.0006.0             | Handle, Left + Right        | Griff, links + Rechts | Piignée, gauche + droite | Handvat, links + rechts        | Asa, izquierda + derecha | Maniglia, destra + sinistra | 1            |
| 7    | 04.0007.0             | Sleeve                      | Hülse                 | Manchon, chemise         | Bus                            | Manguito                 | Manicotto                   | 1            |
| 9    | 04.0009.0             | Switch on/off               | Schalter an/aus       | Interrupteur             | Schakelaar, aan/uit            | Interruptor              | Interruttore acceso/spento  | 1            |
| 10   | 04.0010.9             | Light, Full Bag             | Kontrollleuchte       | Lampe-témoin             | Controlelampje                 | Indicador saco lleno     | Luce sacchetto pieno        | 1            |
| 11   | 01.0011.0             | Holder, Tool                | Halter                | Support                  | Houder                         | Soporte                  | Supporto utensile           | 2            |
| 12   | 01.0012.0             | Handle                      | Griff                 | Pignée                   | Handvat                        | Asa                      | Maniglia                    | 1            |
| 13   | 04.0103.0             | Screw, 5 x 40               | Schraube              | Vis                      | Schroef                        | Tornillo                 | Vite 5 x 40                 | 1            |
| 16   | 00.0016.0             | Strain Relief               | Zugentlastung         | Déchargeur               | Ontlaster                      | Valvula de descarga      | Valvola di scarico          | 1            |
| 20   | 04.0020.0             | Terminal Block              | Block                 | Bloc                     | Blok                           | Bloque                   | Blocco terminale            | 2            |
| 21   | 04.0021.0             | Cover, Electrical           | Deckel                | Couvercle                | Deksel                         | Tapa                     | Coperchio                   | 1            |
| 22   | 00.0002.0             | Screw, 3,5 x 16             | Schraube              | Vis                      | Schroef                        | Tornillo                 | Vite 3,5 x 16               | 5            |
| 24   | 02.1541.0             | Hose Assembly               | Schlauch              | Tuyau flexible           | Slang                          | Manguera, c/ta           | Tubo flessibile             | 1            |
| 25   | 02.0025.1             | Clip                        | Spange                | Agrafe                   | Klem                           | Pinza de sujeción        | Fermaglio                   | 2            |
| 26   | 02.0027.0             | Coupling, Hose              | Kupplung              | Accouplement             | Koppeling                      | Acoplamiento             | Tubo accoppiamento          | 2            |
| 27   | 03.0028.0             | Cord Set Europe             | Kabel                 | Câble                    | Kabel                          | Cable                    | Cavo                        | 1            |
| 27   | 03.0030.0             | Cord Set UK plug            | Kabel                 | Câble                    | Kabel                          | Cable                    | Cavo                        | 1            |
| 27   | 03.0031.0             | Cord Set CH plug            | Kabel                 | Câble                    | Kabel                          | Cable                    | Cavo                        | 1            |
| 28   | 06.0028.0             | Latch, Cover                | Sperre                | Loquet                   | Klink                          | Pestillo                 | Coperchio serratura         | 1            |
| 31   | 02.0031.0             | Tool, Upholstery            | Saugdüse              | Bec d'aspiration         | Zuigmond                       | Boca de succión          | Accessorio tappezzeria      | 1            |
| 32   | 02.0032.0             | Tool, Crevice               | Saugdüse              | Bec d'aspiration         | Zuigmond                       | Boca de succión          | Accessorio a fessura        | 1            |
| 36   | 04.0036.0             | Cover                       | Deckel                | Couvercle                | Deksel                         | Tapa                     | Coperchio                   | 1            |
| 42   | 04.0042.0             | Lock, Wand                  | Halter                | Support                  | Houder                         | Soporte                  | Supporto tubo cromato       | 1            |
| 43   | 04.0043.0             | Handle                      | Griff                 | Pignée                   | Handvat                        | Asa                      | Maniglia                    | 1            |
| 44   | 04.0044.x             | Vac Housing, Rear           | Gehäuse, hinten       | Carter, arrière          | Huis, achter                   | Cárter, posterior        | Alloggiamento motore post   | 1            |
| 45   | 04.0045.0             | Clip, Anti Slip             | Spange                | Agrafe                   | Klem                           | Pinza de sujeción        | Fermaglio                   | 1            |
| 52   | 00.0052.0             | Clamp                       | Klemmschelle          | Attache                  | Klem                           | Abrazadera               | Morsetto                    | 1            |

x = color code (A) 0=chrom/cromo, 2 =pvc or plastic / pvc o plastica

FIG.1 - UPPER UNIT - OBERTEIL - PARTIE DU SUPÉRIEURE - BOVENSTUK - PARTE SUPERIOR - PARTE SUPERIORE-



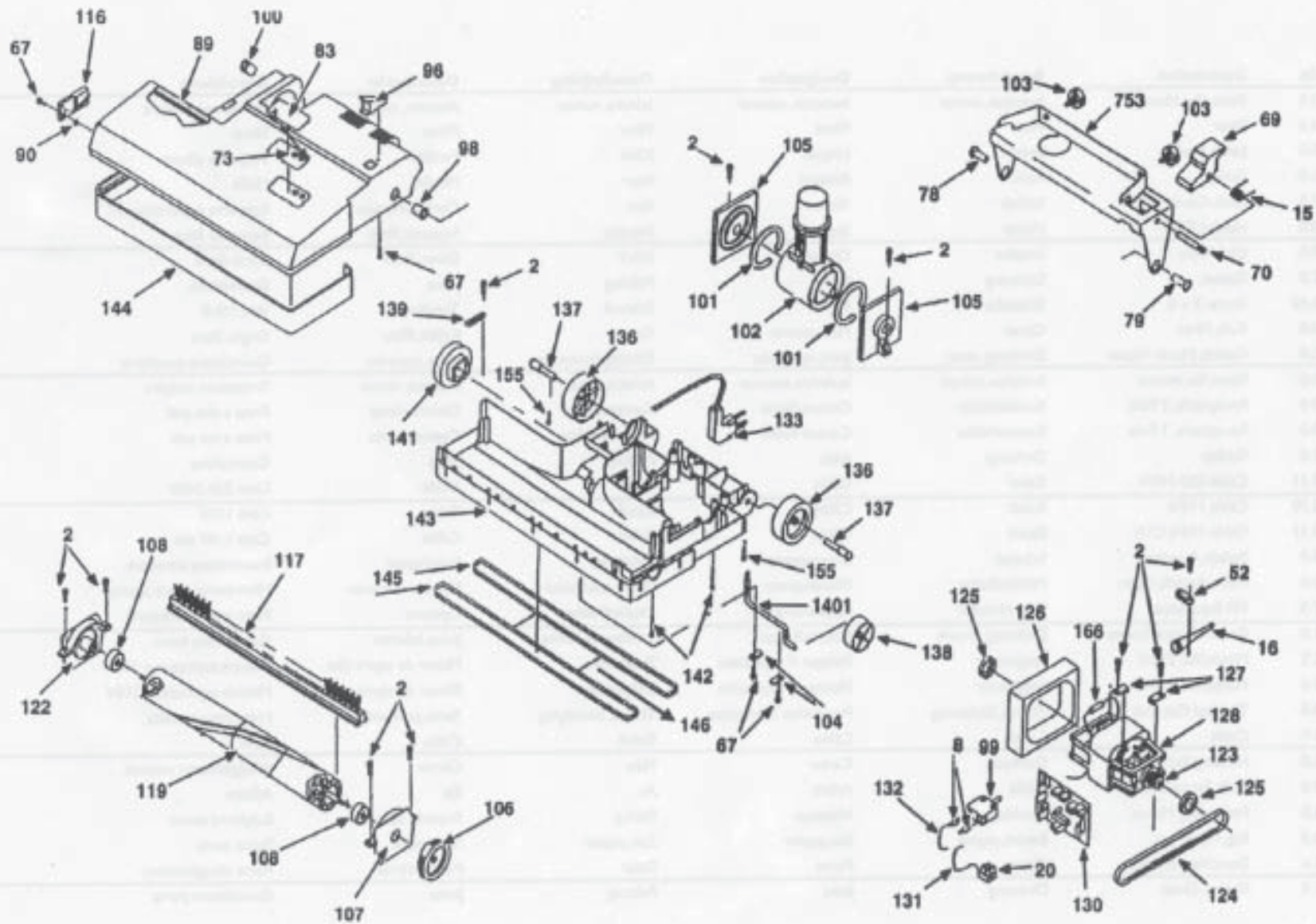
PARTS LIST - ERSATZTEILLISTE - LISTE DES PIÈCES - ONDERDELENLIJST - LISTA DE REPUESTOS - LISTA COMPONENTI

FIG. I - UPPER UNIT - OBERTEIL - PARTIE DU SUPÉRIEURE - BOVENSTUK - PARTE SUPERIOR - PARTE SUPERIORE-

| Ref. | Part No.   | Description         | Bezeichnung      | Designation          | Omschrijving       | Descripción         | Descrizione              | Qty./<br>Zahl |
|------|------------|---------------------|------------------|----------------------|--------------------|---------------------|--------------------------|---------------|
| 53   | 04.0053.0  | Foam, Vac Motor     | Isolation, motor | Isolation, moteur    | Isolatie, motor    | Aislante, motor     | Protezione motore        | 1             |
| 54   | 04.0054.0  | Filter              | Filter           | Filtre               | Filter             | Filtro              | Filtro                   | 1             |
| 55   | 06.0055.0  | Latch, Shaft        | Sperre           | Loquet               | Klink              | Pestillo            | Supporto albero          | 1             |
| 56   | 25.0015.0  | Spring              | Feder            | Ressort              | Veer               | Muelle              | Molla                    | 1             |
| 57   | 06.0057.0  | Lock, Cover         | Schlob           | Verrou               | Slot               | Cerradura, tapa     | Supporto coperchio       | 1             |
| 58   | 04.0058.0  | Holder, Filter      | Halter           | Support              | Houder             | Soporte, filtro     | Supporto filtro          | 1             |
| 60   | 04.0060.0  | Disc, Filter        | Scheibe          | Disque               | Schijf             | Disco, filtro       | Disco filtro             | 1             |
| 61   | 06.0061.0  | Gasket              | Dichtung         | Joint                | Pakking            | Junta               | Guarnizione              | 1             |
| 63   | 00.0002.42 | Screw, 3 x 8        | Schraube         | Vis                  | Schroef            | Tornillo            | Vite, M3-8               | 2             |
| 64   | 04.0064.0  | Grill, Filter       | Gitter           | Pare-pierres         | Gril               | Rejilla, filtro     | Griglia filtro           | 1             |
| 65   | 05.0065.0  | Gasket, Motor Upper | Dichtung, oben   | Joint, supérieur     | Pakking, bovenste  | Junta, superior     | Guarnizione superiore    | 1             |
| 66   | 04.0066.0  | Foam, Vac motor     | Isolation, motor | Isolation, moteur    | Isolatie, motor    | Aislante, motor     | Protezione motore        | 1             |
| 68   | 04.0069.0  | Receptacle, 2 Pole  | Kontakthülse     | Contre-fushe         | Kontrastekker      | Contra-clavija      | Presa a due poli         | 1             |
| 68   | 04.0068.0  | Receptacle, 3 Pole  | Kontakthülse     | Contre-fushe         | Kontrastekker      | Contra-clavija      | Presa a tre poli         | 1             |
| 71   | 04.0071.0  | Gasket              | Dichtung         | Joint                | Pakking            | Junta               | Guarnizione              | 1             |
| 72   | 04.0072.11 | Cable 220-240V.     | Kabel            | Câble                | Kabel              | Cable               | Cavo 220-240V            | 1             |
| 72   | 04.0072.10 | Cable 110V.         | Kabel            | Câble                | Kabel              | Cable               | Cavo 110V                | 1             |
| 72   | 04.0082.11 | Cable 110V. CSA     | Kabel            | Câble                | Kabel              | Cable               | Cavo 110V csa            | 1             |
| 74   | 04.0074.0  | Switch, Actuator    | Schalter         | Interrupteur         | Schakelaar         | Interruptor         | Interruttore attuatore   | 1             |
| 76   | 04.0076.0  | Micro Switch, Open  | Mikroschalter    | Microrupteur         | Micro-schakelaar   | Microinterruptor    | Microinterruttore aperto | 1             |
| 77   | 05.0077.0  | RFI Suppressor      | Unterdrücker     | Oppresseur           | Onderdrukker       | Opresor             | Filtro antiradiodisturbi | 1             |
| 81   | 05.0081.0  | Gasket, Motor Lower | Dichtung, untere | Joint, inférieur     | Pakking, onderste  | Junta, inferior     | Guarnizione bassa        | 1             |
| 82   | 05.0082.2  | Motor, Vac 230V.    | Saugmotor        | Moteur d'aspiration  | Zuigmotor          | Motor de aspiración | Motore aspirazione 230V  | 1             |
| 82   | 05.0083.0  | Motor, Vac 110V.    | Saugmotor        | Moteur d'aspiration  | Zuigmotor          | Motor de aspiración | Motore aspirazione 110V  | 1             |
| 84   | 05.0084.0  | Thermal Cut Out     | Therm. Sicherung | Protection Thermique | Therm. beveiliging | Term. protección    | Protezione termica       | 1             |
| 85   | 00.0085.0  | Cable               | Kabel            | Câble                | Kabel              | Cable               | Cavo                     | 1             |
| 86   | 04.0086.0  | Housing, Vac Motor  | Gehäuse          | Carter               | Huis               | Cárter              | Alloggiamento motore     | 1             |
| 88   | 04.0088.0  | Shaft, Front Cover  | Welle            | Arbre                | As                 | Eje                 | Albero                   | 2             |
| 153  | 04.0155.0  | Fitting, Bag Mount  | Beschlag         | Montage              | Fitting            | Soporte saco        | Supporto sacco           | 1             |
| 294  | 02.0150.0  | Bag, Paper          | Beutel, papier   | Sac, papier          | Zak, papier        | Saco, papel         | Sacco carta              | 1             |
| 871  | 06.0871.x  | Door, Vac Housing   | Klappe           | Porte                | Deur               | Puerta cárter       | Porte alloggiamento      | 1             |
|      | 06.0061.0  | Gasket, Door        | Dichtung         | Joint                | Pakking            | Junta               | Guarnizione porta        | 1             |

x = color code

FIG.2-LOWER UNIT-UNTERTEIL-PARTIE DU INFERIEURE-ONDERSTUK-PARTE INFERIOR-PARTE INFERIORE



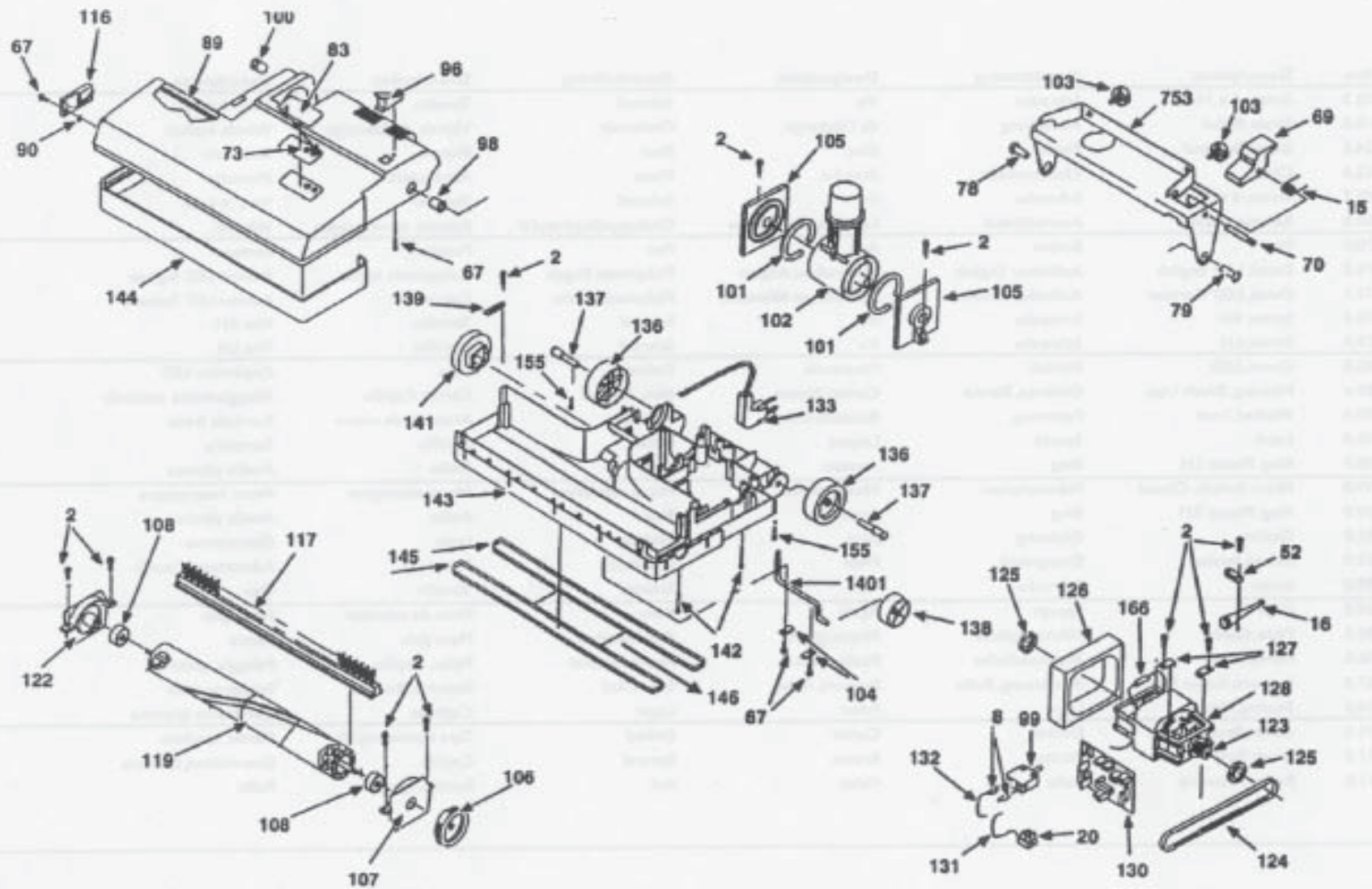
PARTS LIST - ERSATZTEILLISTE - LISTE DES PIÈCES - ONDERDELENLIJST - LISTA DE REPUESTOS - LISTA COMPONENTI

FIG.2-LOWER UNIT-UNTERTEIL-PARTIE DU INFÉRIEURE-ONDERSTUK-PARTE INFERIOR-PARTE INFERIORE

| Ref. | Part No.  | Description          | Bezeichnung       | Designation          | Omschrijving        | Descripción         | Descrizione            | QTY./<br>Zahl |
|------|-----------|----------------------|-------------------|----------------------|---------------------|---------------------|------------------------|---------------|
| 2    | 00.0002.3 | Screw, 4 x 16        | Schraube          | Vis                  | Schroef             | Tornillo            | Vite, 4 x 16           | 10            |
| 16   | 00.0016.0 | Strain Relief        | Abdeckung         | de Décharge          | Ontlaster           | Válvula de descarga | Valvola scarico        | 1             |
| 20   | 20.0024.5 | Block, Terminal      | Block             | Bloc                 | Blok                | Bloque              | Blochetto              | 1             |
| 52   | 00.0052.0 | Clamp                | Klemmschelle      | Attache              | Klem                | Abrazadera          | Morsetto               | 1             |
| 67   | 00.0002.7 | Screw, 4 x 10        | Schraube          | Vis                  | Schroef             | Tornillo            | Vite, 4 x 10           | 3             |
| 69   | 11.0069.0 | Release, Handle      | Ausrückhebel      | Levier de Débrayage  | Ontkoppelingshendel | Palanco desembrague | Sblocco                | 1             |
| 70   | 11.0070.0 | Pin                  | Bolzen            | Axe                  | Pen                 | Pasador             | Fermo                  | 1             |
| 73   | 12.0073.0 | Decal, LED English   | Aufkleber English | Autocollant Anglais  | Plakplaatje Engels  | Calcomania Ingles   | Adesivi LED Inglese    | 1             |
| 73   | 12.0073.1 | Decal, LED German    | Aufkleber Deutsch | Autocollant Allemand | Plakplaatje Duits   | Calcomania          | Adesivi LED Tedesco    | 1             |
| 78   | 11.0078.0 | Screw, RH            | Schraube          | Vis                  | Schroef             | Tornillo            | Vite RH                | 1             |
| 79   | 11.0079.0 | Screw, LH            | Schraube          | Vis                  | Schroef             | Tornillo            | Vite LH                | 1             |
| 83   | 12.0083.0 | Cover, LED           | Deckel            | Couvercle            | Deksel              | Tapa                | Coperchio LED          | 1             |
| 89   | 12.0089.x | Housing, Brush Upp.  | Gehäuse, Bürste   | Carter, Brosse       | Huis, Borstel       | Cárter, Cepillo     | Alloggiamento spazzola | 1             |
| 90   | 00.0090.0 | Washer, Lock         | Federring         | Rondelle-frein       | Sluiring            | Arandela de cierre  | Rondella freno         | 1             |
| 96   | 12.0096.0 | Latch                | Sperre            | Loquet               | Klink               | Pestillo            | Serratura              | 1             |
| 98   | 12.0098.0 | Ring, Plastic LH     | Ring              | Anneau               | Ring                | Anillo              | Anello plastica        | 1             |
| 99   | 16.0099.0 | Micro Switch, Closed | Mikroschalter     | Microrupteur         | Micro-schakelaar    | Microinterruptor    | Micro interruttore     | 1             |
| 100  | 12.0099.0 | Ring, Plastic RH     | Ring              | Anneau               | Ring                | Anillo              | Anello plastica        | 1             |
| 101  | 13.0101.0 | Gasket               | Dichtung          | Joint                | Pakking             | Junta               | Guarnizione            | 2             |
| 102  | 13.0102.0 | Swivel, Intake       | Drehgelenk        | Pivot                | Draaikop            | Pivote              | Adattatore a snodo     | 1             |
| 103  | 11.0103.0 | Screw                | Schraube          | Vis                  | Schroef             | Tornillo            | Vite                   | 2             |
| 104  | 14.0104.0 | Clips                | Spange            | Agafe                | Klem                | Pinza de sujeción   | Fermaglio              | 2             |
| 105  | 13.0105.0 | Plate, Guide         | Führungsplatte    | Plaque-guide         | Geleiderplaat       | Placa guía          | Placca                 | 2             |
| 106  | 17.0106.0 | Pulley, Brush        | Riemenscheibe     | Poulie, Brosse       | Poelle, Borstel     | Polea, Cepillo      | Puleggia spazzola      | 1             |
| 107  | 17.0107.0 | Support, Roller RH   | Abstützung, Rolle | Support, Galet       | Steun, Rol          | Soporte, Rodillo    | Supporto rullo         | 1             |
| 108  | 17.0108.0 | Bearing, Brush       | Lager             | Palier               | Lager               | Cojnete             | Cuscinetto spazzola    | 2             |
| 116  | 12.0116.0 | Cover, Brush Access  | Deckel            | Carter               | Deksel              | Tapa acceso cepillo | Carter spazzola        | 1             |
| 117  | 17.0117.0 | Brush Strip          | Bürste            | Brosse               | Borstel             | Cepillo             | Guarnizione spazzola   | 1             |
| 119  | 17.1111.0 | Roller Assembly      | Rolle             | Galet                | Rol                 | Rodillo, cjo        | Rullo                  | 1             |

x = color code

FIG.2-LOWER UNIT-UNTERTEIL-PARTIE DU INFERIEURE-ONDERSTUK-PARTE INFERIOR-PARTE INFERIORE



PARTS LIST - ERSATZTEILLISTE - LISTE DES PIÈCES - ONDERDELENLIJST - LISTA DE REPUESTOS - LISTA COMPONENTI

FIG.2-LOWER UNIT-UNTERTEIL-PARTIE DU INFERIEURE-ONDERSTUK-PARTE INFERIOR-PARTE INFERIORE

| Ref. | Part No.  | Description                       | Bezeichnung       | Designation       | Omschrijving       | Descripción       | Descrizione                                      | Qty./<br>Zahl |
|------|-----------|-----------------------------------|-------------------|-------------------|--------------------|-------------------|--|---------------|
| 122  | 17.0122.0 | Support, Roller LH                | Abstützung, Rolle | Support, Galet    | Steun, Rol         | Soporte, Rodillo  | Supporto rullo                                   | 1             |
| 123  | 16.0123.0 | Pulley, Motor                     | Riemenscheibe     | Poulie, Moteur    | Poelie, Motor      | Poles, Motor      | Puleggia motore                                  | 1             |
| 124  | 16.0124.0 | Belt                              | Riemen            | Courroie          | Riem               | Correa            | Cinghia  | 1             |
| 125  | 16.0125.0 | Ring, Rubber                      | Ring              | Anneau            | Ring               | Anillo            | Anello   | 2             |
| 126  | 16.0126.0 | Foam, Brush Motor                 | Isolation         | Isolation         | Isolatie           | Aislante          | Protezione motore                                | 1             |
| 127  | 14.0104.0 | Clamp, Brush Motor                | Klemmschelle      | Attache           | Klem               | Abrazadera        | Attacco spazzola motore                          | 2             |
| 128  | 16.0128.0 | Motor, Brush 110V.                | Motor, Bürste     | Motor, Brosse     | Motor, Borstel     | Motor, Cepillo    | Motore spazzola 110V                             | 1             |
| 128  | 16.0128.1 | Motor, Brush 220-240V.            | Motor, Bürste     | Motor, Brosse     | Motor, Borstel     | Motor, Cepillo    | Motore spazzola 220V                             | 1             |
| 130  | 16.0130.3 | Control, Brush Elec.<br>220-240V. | Steuerelektronik  | Commande-Circuit  | Printplaat         | Tablero Electrico | Comando circuito elettrico<br>spazzola 220-240V  | 1             |
| 130  | 16.0130.4 | Control, Brush elec.<br>110V.     | Steuerelektronik  | Commande-Circuit  | Printplaat         | Tablero Electrico | Comando circuito<br>elettrico spazzola 110V      | 1             |
| 130  | 16.0130.5 | Control, Brush elec.<br>110V, CSA | Steuerelektronik  | Commande-Circuit  | Printplaat         | Tablero Electrico | Comando circuito<br>elettrico spazzola 110V CSA. | 1             |
| 133  | 16.0133.7 | Plug, with Cord 3 Pole            | Stecker mit Kabel | Fische avec Câble | Stekker met Kabel  | Clavija con Cable | Spina con cavo a 3 poli                          | 1             |
| 133  | 16.0133.9 | Plug, with Cord 2 Pole            | Stecker mit Kabel | Fische avec Câble | Stekker met Kabel  | Clavija con Cable | Spina con cavo a 2 poli                          | 1             |
| 136  | 14.0136.0 | Wheel, Rear                       | Rad, hinten       | Roue, arrière     | Wiel, Achter       | Rueda, posterior  | Ruota posteriore                                 | 2             |
| 137  | 14.0137.0 | Shaft, Wheel                      | Welle             | Axe               | As                 | Eje               | Albero ruota                                     | 2             |
| 138  | 14.0138.0 | Caster, Front                     | Schwenkrad        | Roulette          | Zwenkwiel          | Rueda orientable  | Ruota orientabile                                | 1             |
| 139  | 14.0139.0 | Spring                            | Feder             | Ressort           | Veer               | Muelle            | Molla  | 1             |
| 141  | 14.0141.0 | Knob                              | Knopf             | Bouton            | Knop               | Perilla           | Manopola   | 1             |
| 142  | 00.0002.5 | Screw, 5 x 40                     | Schraube          | Vis               | Schroef            | Tornillo          | Vite 5 x 40                                      | 5             |
| 143  | 14.0143.x | Housing, Brush Low.               | Gehäuse           | Carter            | Huis               | Cárter            | Alloggiamento spazzola                           | 1             |
| 144  | 12.0144.x | Bumper                            | Stobstange        | Pare-chocs        | Bumper             | Parachoques       | Paracolpi  | 1             |
| 145  | 14.0145.0 | Protector, Brush                  | Schutzrahmen      | Protecteur        | Beschermer         | Protector         | Protezione spazzola                              | 2             |
| 150  | 11.0105.0 | Spring                            | Feder             | Ressort           | Veer               | Muelle            | Molla  | 1             |
| 155  | 00.0002.6 | Screw, 3 x 16                     | Schraube          | Vis               | Schroef            | Tornillo          | Vite 3 x 16                                      | 2             |
| 166  | 16.0166.0 | Thermal Overload                  | Therm. Sicherung  | Therm. protection | Therm. beveiliging | Term. protección  | Protezione termica                               | 1             |
| 753  | 11.0753.0 | Bracket, Swivel                   | Halter            | Support           | Steun              | Soporte           | Supporto   | 1             |
| 1401 | 14.1401.0 | Front castor shaft                | Asche             | Axe               | Voorwiel as        | Eje               | Asse   | 1             |
| 146  | 14.0146.0 | Brush Protector wire              | Schutzrahmendraht | Protecteur fil    | Beschermdraad      | Protector hilo    |  | 1             |

x = color code

FIG.2-LOWER UNIT-UNTERTEIL-PARTIE DU INFERIEURE-ONDERSTUK-PARTE INFERIOR-PARTE INFERIORE

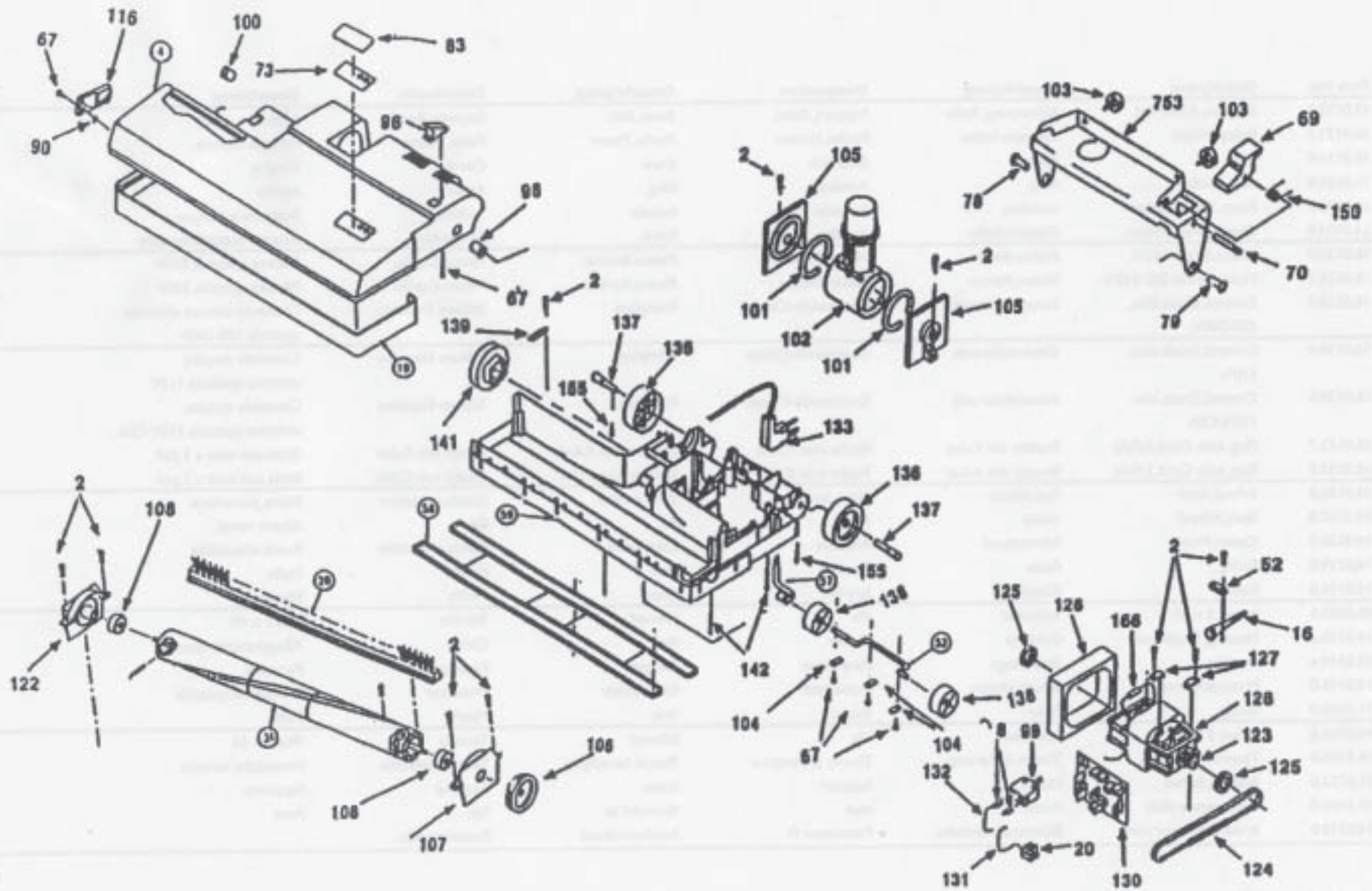


FIG.2-LOWER UNIT-UNTERTEIL-PARTIE DU INFERIEURE-ONDERSTUK-PARTE INFERIOR-PARTE INFERIORE

| Ref. | Part No.   | Description         | Bezeichnung     | Designation    | Omschrijving              | Descripción      | Descrizione      | Qty/<br>Zahl |
|------|------------|---------------------|-----------------|----------------|---------------------------|------------------|------------------|--------------|
| 4    | 12.0090.X  | Housing, Brush Upp. | Gehäuse, Bürste | Carter, Brosse | Huis, Borstel             | Cárter, Cepillo  | Carter spazzola  | 1            |
| 28   | 17.0116.0  | Brush Strip         | Bürststreifen   | Brosse         | Borstel                   | Cepillo          | Spazzola         | 1            |
| 31   | 17.1111.46 | Roller Assembly     | Rolle           | Galet          | Rol                       | Rodillo, cjo.    | Rullo            | 1            |
| 59   | 14.0142.X  | Housing, Brush Low. | Gehäuse         | Carter         | Huis                      | Cárter           | Carter           | 1            |
| 19   | 12.0143.X  | Bumper              | Stoßstange      | Pare-chocs     | Bumper                    | Parachoques      | Paraurti         | 1            |
| 58   | 14.0144.0  | Protector, Brush    | Schutzrahmen    | Protecteur     | Beschermer                | Protector        | Protettore       | 2            |
| 52   | 14.1403.0  | Front castor shaft  | Achse           | Axe            | Voorwiel as               | Eje              | Asse             | 1            |
| 57   | 14.1405.0  | Lever               | Stalhebel       | Lever          | Helboom hoogteverstelling | Camma regoladora | Leva regolatrice | 1            |

x = color code

