



## Electronic Service Manuals

This electronic document is provided as a service to our customers. We do not create the contents of the information contained in this document. Should you have detailed questions pertaining to the information contained in this document, you may contact Michco, or the manufacturer which provided the original information in this electronic deliverable. Michco's only part in this electronic deliverable was the electronic assembly process. By providing this manual on line we are not guaranteeing parts availability.

You may contact Michco through the following methods:

Phone (517) 484-9312 or (800) 331-3339

2011 N. High St. -- Lansing, Michigan -- 48906

Fax: (517) 484-9836

Email: [CustServe@Michco.com](mailto:CustServe@Michco.com)

Web site: [www.Michco.Com](http://www.Michco.Com)

Parts Web site: [www.FloorMachineParts.Com](http://www.FloorMachineParts.Com)

Order Parts on Line at:

**[www.FloorMachineParts.Com](http://www.FloorMachineParts.Com)**

Directly to Parts & Service:

By Email: **[Shop@Michco.com](mailto:Shop@Michco.com)**

By Fax: (517) 702-2041

By Voice: Use numbers above.

**Serving the Cleaning Industry Since 1922**

Notice: All copyrighted material remains property of original owners, all trademarks are property of respective owners. Manuals are subject to Manufacturer's reproduction limitations. Originals or reproductions were provided by manufacturers through a request. We make no warranty as to the correctness of information provided in this document and you assume all risk. By placing these manuals on line we are not declaring our corporation to be an manufacturer authorized dealer or provider, please check our web site for authorized manufacturers we represent.

# Eagle Power



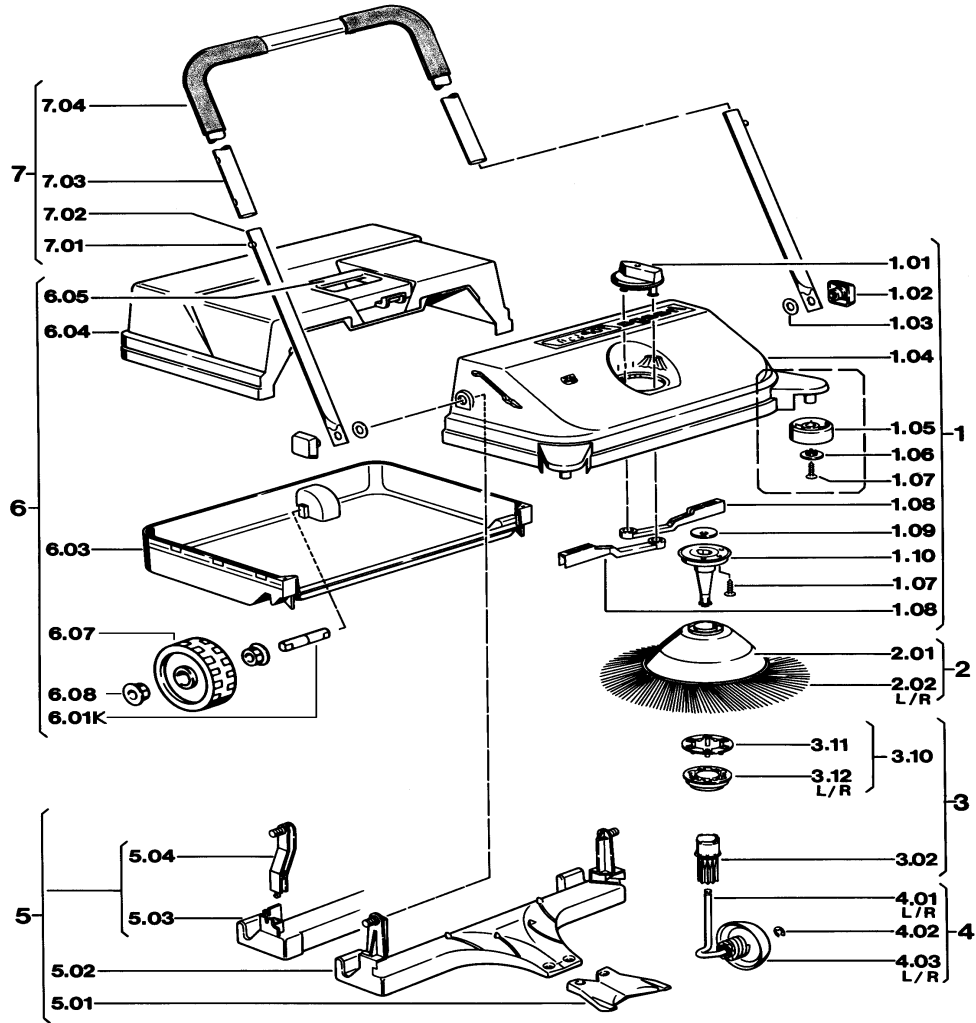
## LS20/LS28 Manual Litter Sweepers

# PARTS MANUAL

REV A

January 2003

## LS20/LS28-MANUAL SWEEPER



## LS20/LS28-LITTER SWEEPER

POS.	PART #	DESCRIPTION
1	H8210100	FRONT COVER COMPLETE
1.01	H8000101	HEIGHT ADJUSTMENT DIAL
1.02	H8000102	CLAMPING SCREW
1.03	H8000103	WASHER FOR CLAMPING SCREW
1.04	H8210104	FRONT COVER
1.05	H8000005	EDGE GUIDING ROLLER
1.06	H8000106	WASHER FOR GUIDING ROLLER
1.07	H8000007	SCREW
1.08	H8200108	ADJUSTMENT SLIDE
1.09	H8200109	WASHER PIVOT HOUSING

**LS20/LS28-LITTER SWEEPER**

<b>POS.</b>	<b>PART #</b>	<b>DESCRIPTION</b>
3.10 R	H8200310R	RIGHT CLUTCH COMPLETE
3.02	H8200302	TOOTH SLEEVE
4	H8200400	LEFT & RIGHT OLIQUE WHEEL SET
4.02	H8000404	6mm WASHER
5	H8200500	SWEEPING PLATE WITH LIP
5.01	H8000501	SWEEPING LIP
5.02	H8200502	SWEEPING PLATE
5.03	H8200503	HOLDER
6	H8210600	REFUSE CONTAINER COMPLETE
6.01	H8000601K	AXLE FOR REFUSE CONTAINER
6.03	H8200603	BOTTOM COVER REFUSE CONTAINER
6.04	H8210604	TOP COVER REFUSE CONTAINER
6.05	H8000605	REFUSE CONTAINER HANDLE
6.07	H8000607	TREAD WHEEL
6.08	H8000608	BUSHING
7	H8210700	HANDLE COMPLETE
7.01	H8000701	SPRING CLIP
7.02	H8000702	STRAIGHT TUBE
7.03	H8210703	SLIDING LEVER
7.04	H8000704	GRIPS (SET OF 2)

# Eagle Power

## Warranty Policy

### Limited Warranty

**Eagle Power Products (EPP) warrants new cleaning equipment against defects in material and workmanship under normal use and service to the original purchaser as detailed below.**

### 10 Years

**Subject to the conditions stated below, EPP warrants polyethylene tanks and housings to be free from defects in materials and workmanship for a period of ten years.**

### 3 Years

**Subject to the conditions stated below, EPP warrants all automatic scrubber components to be free from defects in materials and workmanship for a 3-year period. Parts replaced or repaired are warranted for the remainder of the original warranty period.**

### 1 Year

**Subject to the conditions stated below, EPP warrants all other cleaning equipment components to be free from defects in materials and workmanship for a 1-year period. Parts replaced or repaired are warranted for the remainder of the original warranty period. Batteries are prorated for one year.**

**EPP will furnish and charge for replacement parts, including transportation, to the original owner through an EPP authorized service center. If the part is returned within 30 days and is found defective, the owner will be credited for the cost of the replacement part including shipping and handling.**

Labor charges are covered for one year from the date of purchase if provided by an authorized EPP service center. Travel is covered for 90 days for battery operated equipment only.

Wear items exempt from warranty include belts, carbon brushes, power cords, wheels, pad drivers, clutch plates, brushes, pads, handle grips, filters, screens, throttle cables, and squeegees.

This warranty shall not apply to failures caused by misuse or abuse, improper maintenance as stated in the operation manuals, use of unauthorized repair parts, repairs by other than an EPP authorized service center, and damage in transit.

EPP disclaims and denies any liability for any direct, indirect, special incidental or consequential damage which may be suffered as a result of sale, delivery, servicing, use, loss of any product, downtime, labor, freight, or other charges not expressly included herein.

Date Purchased: \_\_\_\_\_

Model Number: \_\_\_\_\_

Serial Number: \_\_\_\_\_

Please be sure to record this information. This information will be necessary for future warranty claims.

**Eagle Power**

1174 Northland Drive Mendota Heights, MN 55120  
651.686.5399 Fax 651.686.5695  
www.eaglepower.com

*Eagle Power Products Sales and Service Provided by:*