



## Electronic Service Manuals

This electronic document is provided as a service to our customers. We do not create the contents of the information contained in this document. Should you have detailed questions pertaining to the information contained in this document, you may contact Michco, or the manufacturer which provided the original information in this electronic deliverable. Michco's only part in this electronic deliverable was the electronic assembly process. By providing this manual on line we are not guaranteeing parts availability.

You may contact Michco through the following methods:

Phone (517) 484-9312 or (800) 331-3339

2011 N. High St. -- Lansing, Michigan -- 48906

Fax: (517) 484-9836

Email: [CustServe@Michco.com](mailto:CustServe@Michco.com)

Web site: [www.Michco.Com](http://www.Michco.Com)

Parts Web site: [www.FloorMachineParts.Com](http://www.FloorMachineParts.Com)

Order Parts on Line at:

**[www.FloorMachineParts.Com](http://www.FloorMachineParts.Com)**

Directly to Parts & Service:

By Email: **[Shop@Michco.com](mailto:Shop@Michco.com)**

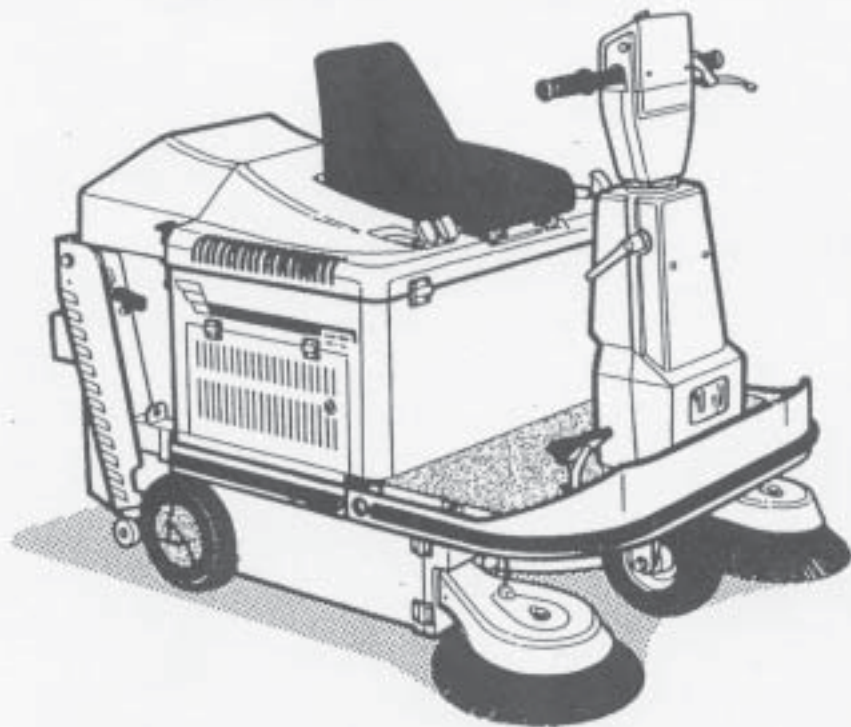
By Fax: (517) 702-2041

By Voice: Use numbers above.

**Serving the Cleaning Industry Since 1922**

Notice: All copyrighted material remains property of original owners, all trademarks are property of respective owners. Manuals are subject to Manufacturer's reproduction limitations. Originals or reproductions were provided by manufacturers through a request. We make no warranty as to the correctness of information provided in this document and you assume all risk. By placing these manuals on line we are not declaring our corporation to be an manufacturer authorized dealer or provider, please check our web site for authorized manufacturers we represent.

SPARE PARTS LIST  
LISTE PIECES DETACHEES  
ERSATZTEILLISTE  
MANUAL DE REPUESTOS  
DISTINTA RICAMBI



**LION Plus**

9500 M - 9500 ME

SWEEPERS  
BALAYEUSES  
KEHRMASCHINEN  
BARREDORAS  
SPAZZATRICI



 portotecnica

PREFACE	AVANT - PROPOS	VORWORT	PREFACIO	PREFAZIONE
<p>This publication has been prepared to provide you with a better knowledge of the product .</p> <p>It is composed of numbered tables with exploded views and coded parts lists .</p> <p>Each component of the machine is marked with a reference number , description and code .</p> <p>In order to ensure a faster and better service and to avoid mistakes , when ordering your spare parts always quote the following for each item :</p> <ul style="list-style-type: none"> <li>- CODE</li> <li>- DESCRIPTION</li> <li>- QUANTITY</li> </ul>	<p>Cette édition a été rédigée afin de donner une meilleure connaissance du produit .</p> <p>Elle comprend des tables numérotées avec des éclatés et des listes correspondantes avec des numéros de code .</p> <p>Chaque composant de la machine est marqué par d' un numéro de référence, d' une description et une code .</p> <p>Pour assurer un service plus rapide et efficace et dans le but d' éviter des erreurs, lorsque vous commandez des pièces détachées, veuillez préciser pour chaque article:</p> <ul style="list-style-type: none"> <li>- CODE</li> <li>- DESCRIPTION</li> <li>- QUANTITÉ</li> </ul>	<p>Dieses Ersatzteilheft soll Ihnen helfen unser Produkt besser kennenzulernen .</p> <p>Es besteht aus nummerierten Tabellen mit Gliederungszeichnungen und den jeweiligen Sachnummernverzeichnis sen .</p> <p>Jedes Maschinenbestandteil ist mit einer Bezugsnummer , einer Benennung und einem Kodexgekennzeichnet .</p> <p>Damit ihre Ersatzteilbestellungen besser, schneller und ohne Irrtümer erledigt werden können, muss für jeden Artikel folgendes angegeben werden :</p> <ul style="list-style-type: none"> <li>- KODEX</li> <li>- BENENNUNG</li> <li>- MENGE</li> </ul>	<p>Esta publicación ha sido redactada para permitir un mejor conocimiento del producto .</p> <p>Está compuesta de Tablas numeradas con los Diseños, despieces con sus códigos respectivos .</p> <p>Cada componente de la máquina está señalado con un número de referencia con una denominación y un código .</p> <p>Con el fin de asegurar un mejor y mas rápido servicio y para evitar errores en sus pedidos de recambios, es aconsejable especificar en cada artículo :</p> <ul style="list-style-type: none"> <li>- CODIGO</li> <li>- DENOMINACION</li> <li>- CANTIDAD</li> </ul>	<p>Questa pubblicazione è stata redatta per permettere una migliore conoscenza del prodotto .</p> <p>E' composta da tavole numerate con i disegni esplosi e dalle relative distinte codici .</p> <p>Ogni componente della macchina è contraddistinto da un numero di riferimento, da una denominazione e da un codice .</p> <p>Per poter assicurare un migliore e più rapido servizio e per evitare errori, nei Vostri graditi ordini di parti di ricambio, occorre specificare per ogni articolo :</p> <ul style="list-style-type: none"> <li>- CODICE</li> <li>- DENOMINAZIONE</li> <li>- QUANTITÀ</li> </ul>
<p>Note :</p> <p>For the purpose of product improvements , the manufacturer reserves the right to make updating modifications to this publication without prior notice .</p> <p>This publication must not be reproduced even in part without the manufacturer 's authorization .</p>	<p>Remarques :</p> <p>Afin d' améliorer le produit, le constructeur se réserve le droit d' effectuer des modifications pour le mise à jour de cette édition sans aucun préavis .</p> <p>Toute reproduction, même partielle, est formellement interdite sans l' autorisation du constructeur .</p>	<p>Anmerkungen :</p> <p>Der Hersteller behält sich das Recht vor, Änderungen und Neubearbeitungen, die zur Verbesserung des Produktes dienen, ohne vorherige Ankiündigung vorzunehmen .</p> <p>Es ist jegliche, auch nur teilweise, Reproduktion, ohne Erlaubnis des Herstellers, verboten .</p>	<p>Nota :</p> <p>Con objeto de mejorar el producto, el constructor se reserva el derecho hacer modificaciones para poner al día esta publicación sin preaviso .</p> <p>Está prohibida cualquier reproducción aunque sea parcial, sin la autorización del constructor .</p>	<p>Note :</p> <p>Allo scopo di migliorare il prodotto, il costruttore si riserva il diritto di apportare modifiche per l' aggiornamento di questa pubblicazione senza preavviso .</p> <p>E' vietata qualsiasi riproduzione, anche parziale, senza l' autorizzazione del costruttore .</p>

## INDEX - SOMMAIRE - INDEX - INDICE

DESCRIPTION DENOMINATION BESCHREIBUNG DESCRIPCION DESCRIZIONE	TABLE TABLEAU TAFEL TABLA TAVOLA
LION 9500 PLUS - CHASSIS AND ACC. PARTS - CHASSIS ET PIECES ACC. - GESTEL UND ZUBEHÖRTEIL - ESTRUCT. METALICA - LAMIERATO	7 - 01795 - 3
LION 9500 M PLUS - DRIVE & BRUSH SYST. - TRANSM. & SIST.BROSSES - TRANSM. & BURSTESYST. - TRANSM. & SIST.CEPILLO - TRASM. & SIST.SPAZZOLE	7 - 01796 - 3
LION 9500 ME PLUS - DRIVE & BRUSH SYST. - TRANSM. & SIST.BROSSES - TRANSM. & BURSTESYST. - TRANSM. & SIST.CEPILLO - TRASM. & SIST.SPAZZOLE	7 - 01797 - 3
LION 9500 PLUS - REDUCTION UNIT - REDUCTEUR - GETRIEBE - REDUCTOR - RIDUTTORE GIRI	7 - 01591 - 2
LION 9500 M PLUS - ELECTRIC DIAGRAM - SCHEMA ELECTRIQUE - ELEKTRISCHES SCHEMA - ESQUEMA ELECTRICO - SCHEMA ELETTRICO	4 - 00503 - 1
LION 9500 ME PLUS - ELECTRIC DIAGRAM - SCHEMA ELECTRIQUE - ELEKTRISCHES SCHEMA - ESQUEMA ELECTRICO - SCHEMA ELETTRICO	4 - 00504 - 1

TABLE N° :  
07 01795 003

DESCRIPTION :  
CHASSIS LION 9500 PLUS

# EXPLODED VIEW

DATE :  
11.02.00

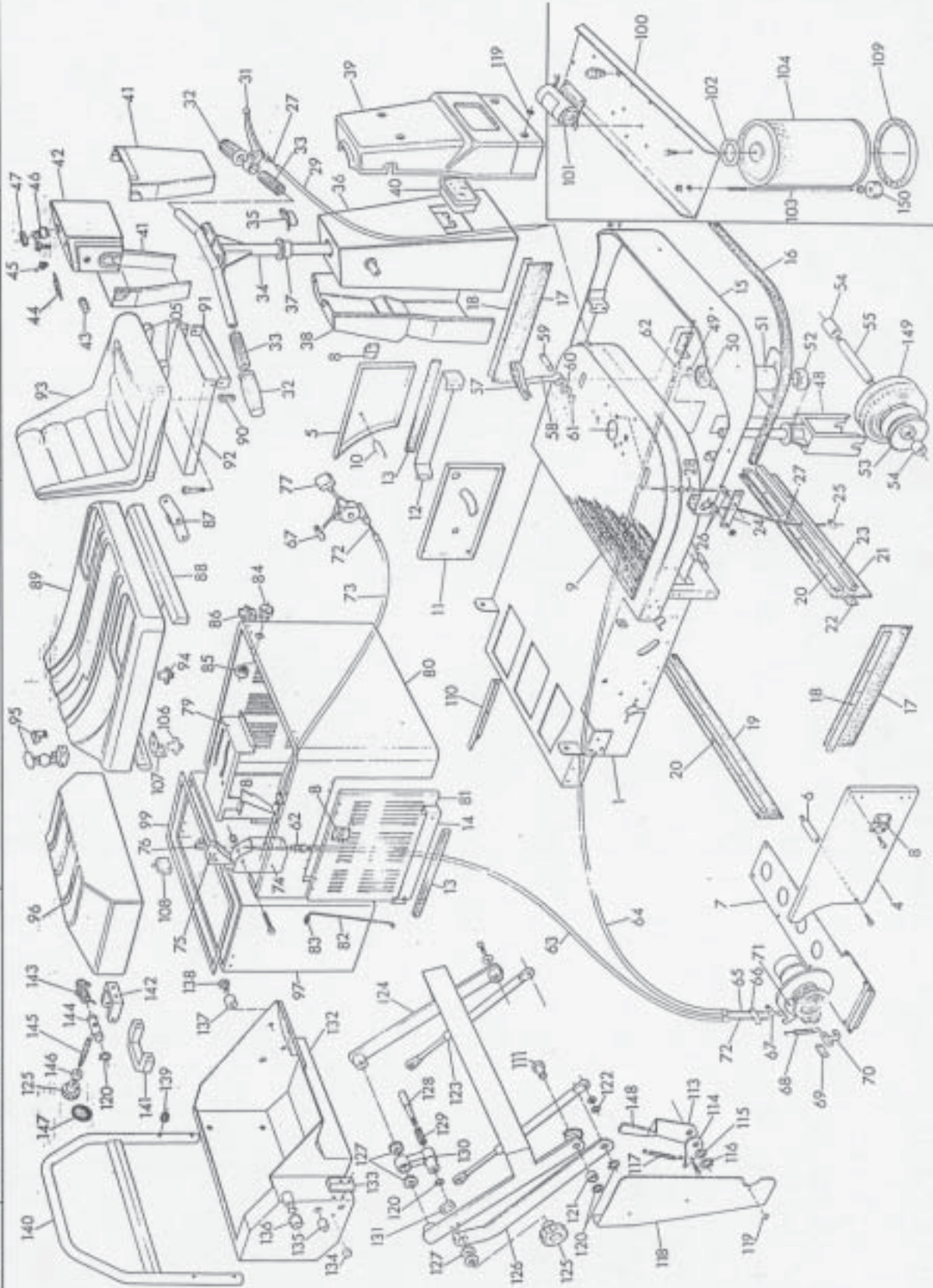


TABLE N° :		DESCRIPTION :		SPARE PARTS LIST			DATE :	
07 01795 003		CHASSIS LION 9500 PLUS					11.02.00	
REF. CODE	KIT QTY	DESCRIPTION	DENOMINATION	BESCHREIBUNG	DESCRIPCION	DESCRIZIONE	TECHNICAL FEATURES	NOTES
1	32854	1	BODY	COQUE	KAROSSERIEKORP.	CORPO	SCocca	LION 9000
4	33273	1	THROTTLE	GIUCHET	KLAPPE	VENTANILLA	SPORTELLO	L.9000 DX
5	33275	1	THROTTLE	GIUCHET	KLAPPE	VENTANILLA	SPORTELLO	L.9000 SX
6	33277	1	PIN	PIVOT	ZAPFEN	FERNO	FERNO	L.9000 DX
7	34835	1	PROTECTION	PROTECTION	SCHUTZ	PROTECCION	PROTEZIONE	L.9000
8	32181	4	HINGE	CHAMIERE	SCHARNIER	BIANCA	CERNIERA	M 4
9	37660	1	PLANE	MARCHEPIED	FUSSBRETT	TRIMA	PEDANA	L.9500
10	33279	1	PIN	PIVOT	ZAPFEN	FERNO	FERNO	L.9000 SX
11	32892	1	LID	COUVERCLE	DECKEL	TAPA	COPERCHIO	L.9000
12	38113	1	BUMPER	PARE-CHOC	STOSSDAMPFER	FRANCOQUES	PARAURTI	L.9500 SX
13	38108	2	BUMPER	PARE-CHOC	STOSSDAMPFER	FRANCOQUES	PARAURTI	31X13 L.95 LT. EPDM
14	38111	1	BUMPER	PARE-CHOC	STOSSDAMPFER	FRANCOQUES	PARAURTI	L.9500 SX
15	37887	1	ANT.BUMPER	PARE CHOC ANT.	STOSSDAMPFER	P.CROQUES ANT.	PARAURTI ANT.	L.9500
16	38109	1	BUMPER	PARE-CHOC	STOSSDAMPFER	FRANCOQUES	PARAURTI	31X13 L.95 L.95 A. EPDM
17	32946	2	RUBBER	CROUCHOUC	GUMMISCHLAUCHE	GOMA	GOMMA	LION 9000 IT.
18	32947	2	HOSE CLIP	AGRAFE P.TUYAU	SCHL.HALTERUNG	SUJECION HANG.	FERMAGOMMA	LION 9000 IXX
19	32948	1	RUBBER FLAP	CROUCHOUC FLAP	GUMMISCHL.FLAP	GOMA FLAP	GOMMA FLAP	LION 9000 PST
20	32949	2	HOSE CLIP	AGRAFE P.TUYAU	SCHL.HALTERUNG	SUJECION HANG.	FERMAGOMMA	LION 9000 IIX
21	38919	1	RUBBER FLAP	CROUCHOUC FLAP	GUMMISCHL.FLAP	GOMA FLAP	GOMMA FLAP	L.9500
22	38920	1	HOSE CLIP	AGRAFE P.TUYAU	SCHL.HALTERUNG	SUJECION HANG.	FERMAGOMMA	L.9500 INT.
23	38921	1	HOSE CLIP	AGRAFE P.TUYAU	SCHL.HALTERUNG	SUJECION HANG.	FERMAGOMMA	L.9500 EXT.
24	37690	1	LEVER	LEVIER	HEBEL	PALANCA	LEVA	L.9000 L-110 IV.
25	13590	1	CLAMP	BORNE	KLEMME	PRENS. SUJECION	MORSETTO	VT 8X11 M5 LOGY 700
26	34827	2	BARREL	BARICAUT	ABSGLEICHSBAL.	BARRILETE	BARILOTTO	CH.14X17 M5
27	33342	1	CORD	CORDE	KLEINS	CUERDA	CORDA	D. 1.9 L-1950 L.9000
28	14805	1	SOLID BOX	FOURREAU	MULSE	BRUJULA	BUSCOLA	D. TX 6X L-9 D.GRAD. 4X3
29	36791	1	SHEATH	GAINE	MANTEL	VAINA	GUAINA	2.524.525.2 L- 1550
31	33525	1	LEVER	LEVIER	HEBEL	PALANCA	LEVA	D.22 NYL
32	31584	2	KNOB	POIGNEE	VEDSTELGRIFF	MANOPLA	MANOPOLA	D.22
33	31720	3	PROTECTOR	PROTECTION	SCHUSCHUTZ	PROTECCION	SOFFIETTO	22 X 44
34	38547	1	UP STEERING	TUBE DE DIRECT.	LENSSAULE	PIANTON SUP.	PIANTONE SUP.	L.95-TIG.
35	36948	1	GUIDE	GUIDE	FÜHRUNG	GUIA	GUIDA	ABS L.9000

TABLE N° :		DESCRIPTION :		SPARE PARTS LIST			DATE :	
07 01795 003		CHASSIS LION 9500 PLUS					11.02.00	
REF. CODE	KIT QTY	DESCRIPTION	DENOMINATION	BESCHREIBUNG	DESCRIPCION	DESCRIZIONE	TECHNICAL FEATURES	NOTES
36	32938	1	SUPPORT	SUPPORT	HALTER	SOPORTE	SUPPORTO	L.9000
37	38637	1	BOSSING	DOUILLE	BOCKSE	MANGUITO	BOCCOLA	D. 30-35/40 L-15 NYL L.95
38	32990	1	HALF BEARING	SEMI-COQUE	HALBSCHALE	SEMIFUNDA	SEMIGUSCIO	L.9000 PST
39	32991	1	HALF BEARING	SEMI-COQUE	HALBSCHALE	SEMIFUNDA	SEMIGUSCIO	L.9000 AMT.
40	33680	1	LANTERN	FANAL	LAMPE	FANOL	FANALE	Z1W
40	38827	1	LANTERN	FANAL	LAMPE	FANOL	FANALE	Z1W 24V
41	33116	2	HALF BEARING	SEMI-COQUE	HALBSCHALE	SEMIFUNDA	SEMIGUSCIO	P9 2. V
42	33115	1	INSTR.PANEL	TAB. DE BORD	ARM.BRETT	CRUSCOTTO	CRUSCOTTO	L.9000 - TIG. 2. V PP
43	30417	1	SWITCH	INTERUPTEUR	SCHALTER	INTERRUPTOR	INTERRUTTORE	D.15 TIG.
44	34453	1	ELEC.CIRCUIT	CIRCUIT.ELECT.	ELEKTS.STROM.	CIRCUITO ELACT.	SCHEMA ELETTR.	LED L.ME 24V 2. V
45	30499	1	SWITCH	INTERUPTEUR	SCHALTER	INTERRUPTOR	INTERRUTTORE	T.360
46	31934	1	SWITCH	INTERUPTEUR	SCHALTER	INTERRUPTOR	INTERRUTTORE	GX 340
46	30416	1	SWITCH	INTERUPTEUR	SCHALTER	INTERRUPTOR	INTERRUTTORE	IADI 8328
47	36090	1	RING	BAGUE	RING	ANILLO	ANELLO	HONDA 19
48	38549	1	LOW STEERING	TUBE DE DIRECT.	LENSSAULE	PIANTON INF.	PIANTONE INF.	L.95-TIG.
49	09655	1	CIRCLIP	BAGIE D'ARRET	DRANTSPRENGRING	ARANDOLA NIELLE	ANELLO ELASTICO	D. 25 UNI 7435
50	15981	1	BALL BEARING	BOULEN.A BILLES	KUGELLAGER	COJINE DE BOLAS	CUSCIN.A SFERE	6205 2RS1
51	38498	1	SUPPORT	SUPPORT	HALTER	SOPORTE	SUPPORTO	L.9500 INF.
52	35782	1	BALL BEARING	BOULEN.A BILLES	KUGELLAGER	COJINE DE BOLAS	CUSCIN.A SFERE	7205 BE
53	33334	1	WHEEL	ROUE	LAUFRAD	RUEDA	CERCHIO	2.50/4" D.51
54	34621	2	SPACER	ENTRETOISE	DISTANZSTOCK	SEPARADOR	DISTANZIALE	D. 19-22 L-23
55	34619	1	WHEEL PIN	PIVOT ROUE	RADZAPFEN	FERNO RUEDA	FERNO RUOTA	LION D.17 L-155 ZBK10
57	25988	1	PROTECTION	PROTECTION	SCHUTZ	PROTECCION	PROTEZIONE	TIG.300
58	33447	1	BRAKE PEDAL	PEDALE FREIN	HEBENSPEDEL	PEDAL FRENO	PEDALE FRENO	L.9000
59	32960	1	PIN	PIVOT	ZAPFEN	FERNO	FERNO	L.9000
60	33215	2	WASHER	DOUILLE	BOCKSE	MANGUITO	BOCCOLA	D. 14-24X12 OT.
61	33677	2	CIRCLIP	BAGIE D'ARRET	DRANTSPRENGRING	ARANDOLA NIELLE	ANELLO ELASTICO	D. 14 UNI 7435
62	02397	2	REGISTER	REGLEUR	KLAPPE	REGISTRO	REGISTRO	CH.12X 884X35
63	38618	1	SHEATH	GAINE	MANTEL	VAINA	GUAINA	VIPLAST 3.5X6 X7 L. 390
64	38617	1	SHEATH	GAINE	MANTEL	VAINA	GUAINA	VIPLAST 3.5X6 X7 L.1350
65	33346	1	CORD	CORDE	KLEINS	CUERDA	CORDA	D. 2.5 L-1900 L.9000
66	33839	1	BARREL	BARICAUT	ABSGLEICHSBAL.	BARRILETE	BARILOTTO	D.12X16 L.9000

DATE : 11.02.00

# EXPLODED VIEW

DESCRIPTION :  
CHASSIS LICW 9500 PLUS

TABLE N° :  
07 01795 003

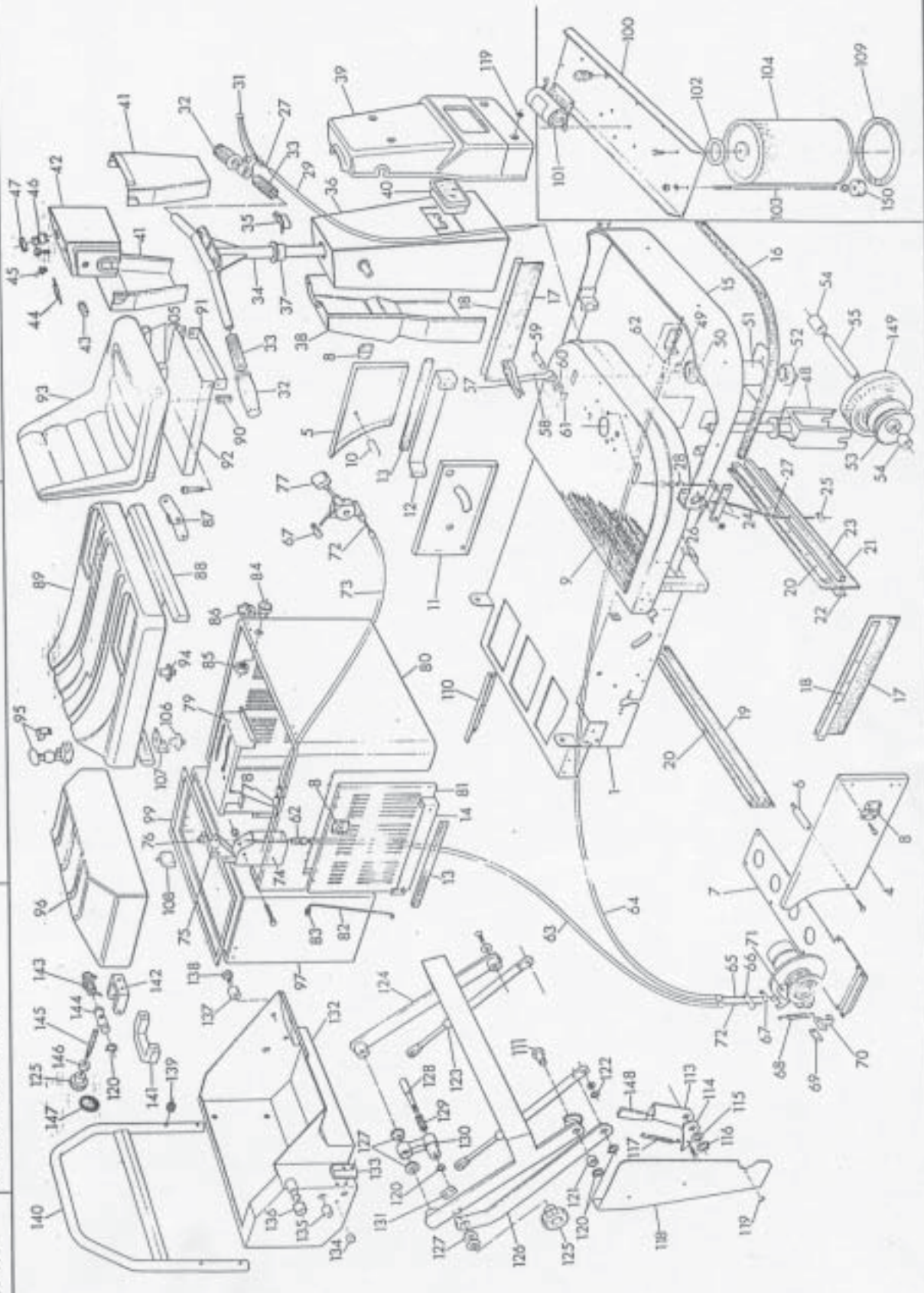


TABLE N°:		DESCRIPTION:		SPARE PARTS LIST				DATE:	
07 01795 003		CHASSIS LION 9500 PLUS						11.02.00	
REF. CODE	KIT QTY	DESCRIPTION	DENOMINATION	BESCHREIBUNG	DESCRIPCION	DESCRIZIONE	TECHNICAL FEATURES	NOTES	
67	13590	3	CLAMP	BORNE	KLEMME	FRONS. SUJECTION	MORSETTO	VT 8X11 M5 L017 700	
68	30297	1	SPRING	RESSORT	FEDER	MUELLE	MOLLA	D. 10 X46.5 X1.5 T.300	
69	35509	1	PLATE	PLAQUETTE	PLATINCH	SOPORTITO	PIASTRINA	L.9000	
70	34882	1	BLOCK	BLOCAGE	KLEINER BLOCK	BLOQUE	BLOCCHETTO	L.9000	
71	34263	1	PLIERS	PINCE	ZANGE	FINZA	FINZA	2.87 D.20 L.9000	
72	33346	2	CORD	CORDE	KLEINS	CUERDA	CORDA	D. 2.5 L=1030 L.9000	
73	38615	1	SHEATH	GAINE	MANTEL	VAINA	CUAINA	VIPLAST 3.5X6 X7 L. 315	
74	35838	1	SUPPORT	SUPPORT	HALTER	SOPORTE	SUPPORTO	L.9000	
75	35836	1	LEVER	LEVIER	HEBEL	FALANCA	LEVA	L.9000	
76	34360	1	CLAMP	BORNE	KLEMME	FRONS. SUJECTION	MORSETTO	VL 9 X13	
77	33357	1	MANEUVER LEVER	LEVIER MANOEUV.	SCHALTEN HEBEL	FALANCA MANIOB.	LEVA DI MANOVRA	INOX C/POH.SX R55	
78	28891	1	SOLID BOX	POURHEAD	HELSE	HELJULA	BUSCOLA	D. 9.7815 - D.5F D.3	
79	37883	1	SUPPORT	SUPPORT	HALTER	SOPORTE	SUPPORTO	L.9500 DX	
80	32927	1	BOY	COQUE	KAROSSEKIEKOP.	CORPO	SCOCOA	LION 9000	
81	32923	1	THROTTLE	QUICHEY	KLAPPE	VENTERMILLA	SPORTELLO	L.9000	
82	32919	1	ROD	TIGE	STRANGE	VARILLA	ASTA	L.9000	
83	80244	1	PAIR-LEAD	PASSAGE P. FIL	DRABTVOERUNGANG	PASEILO	PASSAFILO	D. 7-11	
84	33802	1	BUSHING	DOUILLE	BUCHSE	MANGUITO	BOCCOLA	CH.24 L.16 G 1/2 10	L.9500M
85	21223	1	RING NUT	FRETTE	WUTMUTTER	CASQUILLO	CHIERA	1/2" X 4 NIK	L.9500M
86	32197	2	RINGE	CHARNIERE	SCHARNIER	HISAGA	CERNIERA	M 5	
87	34272	1	RINGE	CHARNIERE	SCHARNIER	HISAGA	CERNIERA	L.9000 DX	
88	37876	1	SUPPORT	SUPPORT	HALTER	SOPORTE	SUPPORTO	L.9500	
89	37859	1	MOTOR COVER	COUVERCLE MOT.	MOTORHECKEL	TAPA MOTOR	COPERCHIO MOT.	L.9500 R55	
90	09741	1	SPRING	RESSORT	FEDER	MUELLE	MOLLA	D.13244,5 P11	
91	37889	1	PLATE	PLAQUE	PLATTE	SOPORTE	PIASTRA	AT 79 L.9500 IN.	
92	37864	1	PLATE	PLAQUE	PLATTE	SOPORTE	PIASTRA	AT 79 L.9500 SP.	
93	33360	1	SEAT	SIEGE	SITZ	ASIENTO	SEDE	AT 79	
94	32451	1	SWITCH	INTERRUPTEUR	SCHALTER	INTERRUPTOR	INTERRUTTORE	MTA	
95	82387	4	HOOK	CROCHET	HAKEN	GANCIO	GANCIO	L-123	
96	37867	1	FILTER COVER	COUVERCLE FILT.	FILTERHECKEL	TAPA FILTRO	COPERCH. FILTRI	L.9500 R55	
97	40230	1	FILTER BOX	BOITE FILTRE	FILTERKISTE	VACIO FILTRO	VANO FILTRO	L.9500 2.V	
99	27129	4,400	JOINT	GARNITURE	RIEM	CIERRE	FETTUCCIA ASE.	10X3	

TABLE N°:		DESCRIPTION:		SPARE PARTS LIST				DATE:	
07 01795 003		CHASSIS LION 9500 PLUS						11.02.00	
REF. CODE	KIT QTY	DESCRIPTION	DENOMINATION	BESCHREIBUNG	DESCRIPCION	DESCRIZIONE	TECHNICAL FEATURES	NOTES	
100	37866	1	PLATE	PLAQUE	PLATTE	SOPORTE	PIASTRA	L.9500	
101	37919	1	MOTOR	MOTEUR	MOTOR	MOTOR	MOTORE	MP56M 12V 90/120M IP44	L.9500M
102	37893	1	MOTOR	MOTEUR	MOTOR	MOTOR	MOTORE	MP56M 24V 90/120M IP44	L.9500ME
102	13577	4	GASKET	GARNITURE	DICHTUNG	GUARNICION	GUARNIZIONE	YDC	
104	09368	3	BAR	BAPHE	STANGE	BARRA	BARRA	M 8X420	
104	07662	4	FILTER	FILTRE	FILTER	FILTRO	FILTRO	H.370 D.190 140M	
105	37862	1	GUIDE	GUIDE	FÜHRUNG	GUIA	GUIDA	L.9500 ZPS.	
106	32451	1	SWITCH	INTERRUPTEUR	SCHALTER	INTERRUPTOR	INTERRUTTORE	MTA	L.9500M
106	33679	1	SWITCH	INTERRUPTEUR	SCHALTER	INTERRUPTOR	INTERRUTTORE	EP52	L.9500ME
107	33998	1	SUPPORT BRACKET	ETRIER SUPPORT	HALTER BOGEL	GRAPA SOPORTE	STAFFA SUPPORTO	L.9000 ME	L.9500ME
108	33679	1	SWITCH	INTERRUPTEUR	SCHALTER	INTERRUPTOR	INTERRUTTORE	EP52	
109	26140	4	GASKET	GARNITURE	DICHTUNG	GUARNICION	GUARNIZIONE	MORISSE D.150X115X5	
110	34112	1	BRACKET	ETRIER	BOGEL	GRAPA	STAFFA	L.9000 PLE INX	
111	40233	2	PIN	PIVOT	ZAPFEN	PERNO	PERNO	L.95 2.V	
113	33403	1	CONTROL LEVER	LEVIER CONTROL	STEUERUNG HEBEL	FALANCA MANDO	LEVA COMANDO	L.9000	
114	33401	1	GEAR	ENGRENAGE	ZAHNRAD	ENGRANAJE	INGRANAGGIO	L.9000	
115	33399	1	SPACER	ENTRETOISE	DISTANZSTÜCK	SEPARADOR	DISTANZIALE	D. 15-20 L= 2.5 OT	
116	17003	1	CINCLIP	BAGUE D'ARRÊT	DRABTSPRENGRING	ARANDELA MUELLE	ANELLO ELASTICO	D. 15 UNI 7435	
117	06184	1	SPRING	RESSORT	FEDER	MUELLE	MOLLA	TR145 D. 14 140 P.2	
118	33433	1	PANEL	PANNEAU	TAFEL	PANEL	PANNELLO	L.9000	
118	26112	1	KNOB	POIGNEE	VERSTELLGRIF	MANOPOLA	MANOPOLA	10X 5X 6 PVC	
119	14921	4	IND. SCREW FLAN.	BOARD SOUS-VIS	UNT.SCHRAUBE B.	BORNE	ORLII SOTTOVITE	D. 6	
119	14921	3	IND. SCREW FLAN.	BOARD SOUS-VIS	UNT.SCHRAUBE B.	BORNE	ORLII SOTTOVITE	D. 6	
120	06193	6	CINCLIP	BAGUE D'ARRÊT	DRABTSPRENGRING	ARANDELA MUELLE	ANELLO ELASTICO	D. 20 UNI 7435	
121	33376	2	SPACER	ENTRETOISE	DISTANZSTÜCK	SEPARADOR	DISTANZIALE	D. 20-30 L= 2	
122	14096	4	CINCLIP	BAGUE D'ARRÊT	DRABTSPRENGRING	ARANDELA MUELLE	ANELLO ELASTICO	D. 8 UNI 7435	
123	33265	2	PRESSURE SPRING	RESSORT A PRES.	DRUCK FEDER	RESORTS A PRES.	MOLLA A PRESS.	RS/TS	
124	33397	1	EXT. LEVER	LEVIER EXTER.	AUSSEN. HEBEL	FALANCA EXTER.	LEVA ESTERNA	L.9000	
125	24952	2	RAMWHEEL	PETIT VOLANT	EXOFF	VOLANTE	VOLANTINO	F 8MX20 D.50	
126	33385	1	LEVER	LEVIER	HEBEL	FALANCA	LEVA	L.9000	
127	33216	10	BUSHING	DOUILLE	BUCHSE	MANGUITO	BOCCOLA	D. 20-30X11.5	
128	33369	1	PLUG	GOUILLE	STIFT	PASADOR	SPINA	L.9000	

DATE : 11.02.00

# EXPLODED VIEW

DESCRIPTION :  
CHASSIS LION 9500 PLUS

TABLE N° :  
07 01795 003

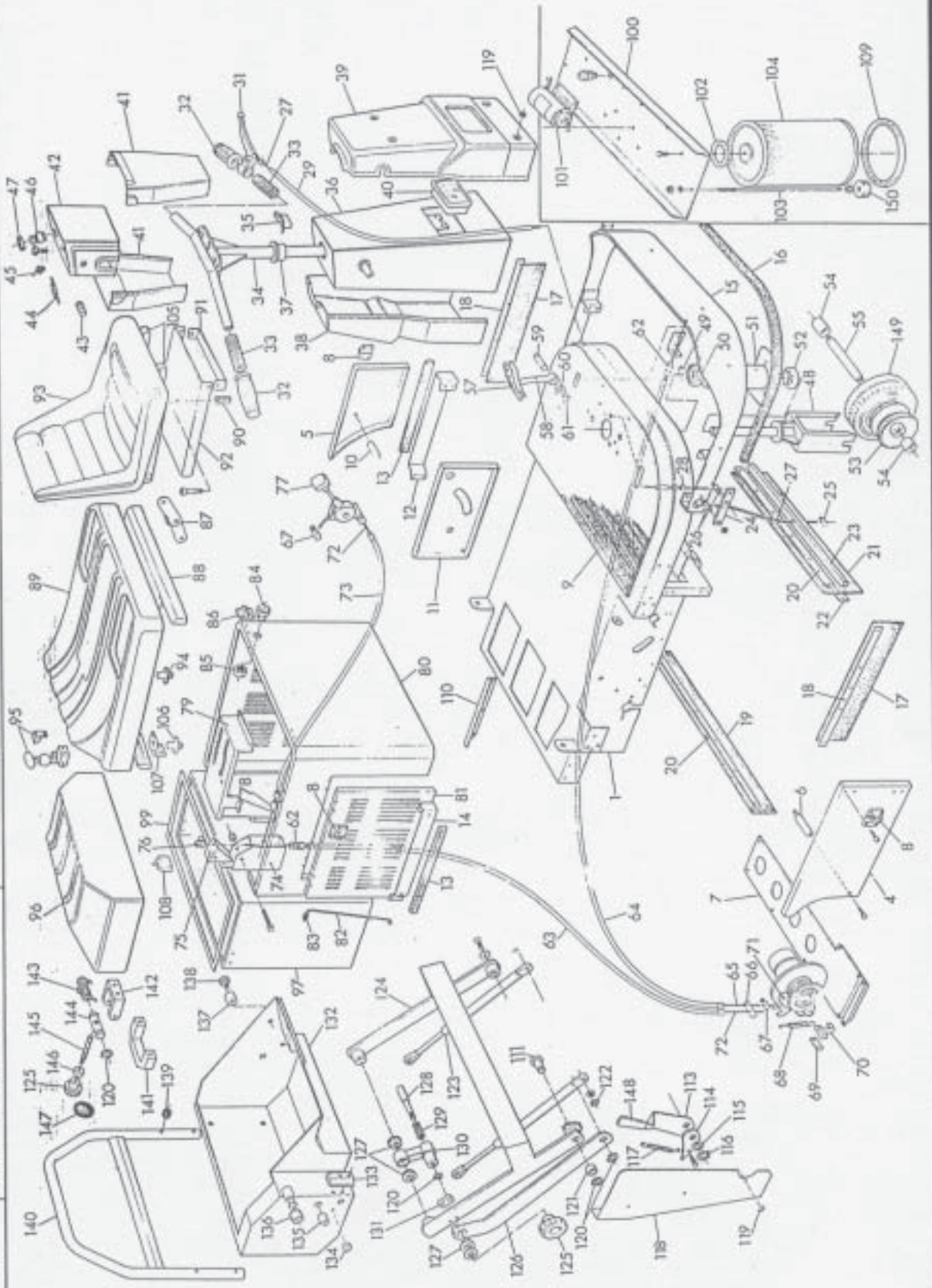


TABLE N° :		DESCRIPTION :					SPARE PARTS LIST		DATE :	
07 81395 003		CHASSIS L108 9500 PLUS							11.02.00	
REF. CODE	KIT	QTY	DESCRIPTION	DENOMINATION	BESCHREIBUNG	DESCRIPCION	DESCRIZIONE	TECHNICAL FEATURES	NOTES	
129	33828	1	SPRING	RESSORT	FEDER	MUELLE	MOLLA	D. 15 X60 L.9000		
130	33409	1	CONNECTING ROD	BIELLE	PLEUEL	BIELA	BIELLA	L.9000		
131	33671	1	BOSS	GOUJON	DISEL	CUNA	TASSELLO	L.9000		
132	33199	1	DRAWER	TIROIN	SCHIEBEKASTEN	CAJON	CASSETTO	L.9000		
133	33197	1	BOSS	GOUJON	DISEL	CUNA	TASSELLO	L.9000		
134	33827	1	PIN	PIVOT	SAPFEN	PERNO	PERNO	L.9000 D.20 NYL		
135	33407	2	SPRING	BOUILLE	BUCKSE	MANGUITO	BOCCOLA	D. 12X20X24.5 OT L.9000		
136	34125	1	RUBBER	CAOUTCHOUC	KLEINER GUMMIS.	CODILLO	GOMMINO	D. 12-22 L=14.5 85SH		
137	33497	1	SPRING	BOUILLE	BUCKSE	MANGUITO	BOCCOLA	D. 10X13.5 L=10 OT		
138	33494	1	PIN	PIVOT	SAPFEN	PERNO	PERNO	L.9000 PLUS		
139	31732	4	SPACER	ENTRETOISE	DISTANZSTUCK	SEPARADOR	DISTANZIALE	D. 25- 7 NYL		
140	33843	1	HANDLE	POIGNEE	SCHANDEL	MANILLAR	MANGIIONE	L.9000		
141	00411	1	HANDLE	POIGNEE	GRIFF	TIRADOR	MANGIJA	TRG		
143	34127	1	SPRING	RESSORT	FEDER	MUELLE	MOLLA	D. 27 X64 L.9000		
144	33649	1	PIN	PIVOT	SAPFEN	PERNO	PERNO	L.9000		
145	33855	1	SCREW	VIS	SCHRAUBE	TORNILLO	VITE	L.9000		
146	33857	1	SPACER	ENTRETOISE	DISTANZSTUCK	SEPARADOR	DISTANZIALE	D. 12-26 L=20		
147	34553	2	RUBBER	CAOUTCHOUC	KLEINER GUMMIS.	CODILLO	GOMMINO	D. 30 H. 4		
149	38323	1	WHEEL	ROUE	RAD	RUEDA	RUOTA	D. 3.09.4		
150	37393	6	RUBBER	CAOUTCHOUC	KLEINER GUMMIS.	CODILLO	GOMMINO	D. 10-30 L=13 70SH 88H		

TABLE N° :		DESCRIPTION :					SPARE PARTS LIST		DATE :	
REF. CODE	KIT	QTY	DESCRIPTION	DENOMINATION	BESCHREIBUNG	DESCRIPCION	DESCRIZIONE	TECHNICAL FEATURES	NOTES	

TABLE N° :

07 01796 003

DESCRIPTION :

TRANSK. SYSTEM L. 9500 M PLUS

# EXPLODED VIEW

DATE :

11.02.00

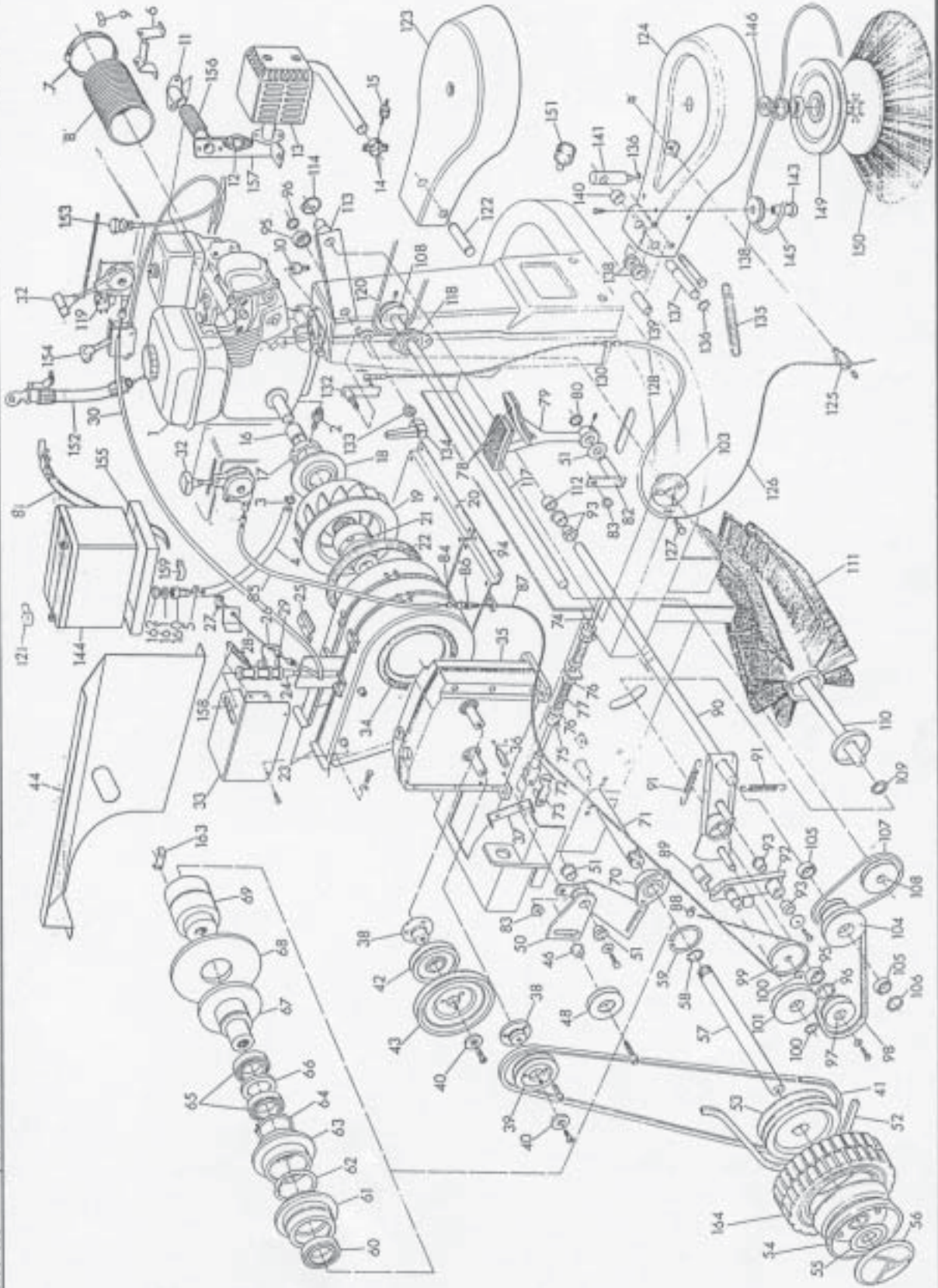


TABLE N°:		DESCRIPTION:		SPARE PARTS LIST			DATE:	
07 01796 003		TRANSM. SYSTEM L. 9500 H PLUS					11.02.00	
REF. CODE	KIT QTY	DESCRIPTION	DENOMINATION	BESCHREIBUNG	DESCRIPCION	DESCRIZIONE	TECHNICAL FEATURES	NOTES
1	21588	1	ENGINE MOTOR	MOTEUR	EXPLOSIONMOTOR	MOTOR	MOTORE SCOPPIO	HONDA GX16001 (X-W 5.5HP
2	32208	1	ROSE FITTING	RACC. P. TUYAU	SCHLAUCH HALTER	PORTAMANGIERA	PORTAGOMMA	M 1081.25 M Ø. 6-10
3	00429	1	CLAMP	COLLIER	SCHELLE	ARRAZADORA	FASCETTA	D. 16-20 66-165
4	15910	0,650	L.P. ROSE	TUYAU R.P.	N.DWACK ROER	TUBO R.P.	TUBO	D.18-19
5	00428	1	CLAMP	COLLIER	SCHELLE	ARRAZADORA	FASCETTA	D. 12-20
6	33832	1	SUPPORT BRACKET	ETRIER SUPPORT	HALTER BOGEL	GRAPA SOPORTE	STAFFA SUPPORTO	L.9000
7	33834	1	CLAMP	COLLIER	SCHELLE	ARRAZADORA	FASCETTA	D.180-200
8	33835	0,430	PIPE	TUYAU	ROER	TUBO	TUBO	FLUX D.180 ASPIREX PVC GR
9	33836	3	BRACKET	BRIDE	BOGEL	GRAPA	STAFFA FISS.	L.9000 INX
10	33796	4	VIBRATION DAMP.	AMORTISSEUR	SCHWINGUNGSDAMP.	ANTIVIBRANTE	ANTIVIBRANTE	40X30-M 812xH 80-60+58H
11	33838	1	CONNECTOR	RACCORD	VERBIND. STUCK	RACOR	RACCORDO	L.9000 HONDA
12	33861	1	GASSET	GARNITURE	DICHTUNG	GUARNICION	GUARNIZIONE	OX STD.
13	34087	1	SILENCER	POT D'ESCAPPEN.	AUSPUFFSTOFF	OLLA	MARMITA	HONDA GX L.9000
14	14891	1	ROSE COLLAR	COLLIER TUYAU	ROER SCHELLE	COLLAR TUBO	COLLARE TUBO	1/2"
15	14056	1	VIBRATION DAMP.	AMORTISSEUR	SCHWINGUNGSDAMP.	ANTIVIBRANTE	ANTIVIBRANTE	25X20- 2MX18 -80+58H
16	33639	1	SPACER	ENTRETOISE	DISTANZSTÜCK	SEPARADOR	DISTANZIALE	D. 19-20 L-34
17	32979	1	RING NUT	FRETTE	NUTMITTEN	CASQUILLO	GHIERA	L.9000
18	32110	1	CUPEL	COUPELLE	SCHROFFHOFF	COPA	COFFELLA	L.8000
19	32152	1	IMPELLER	HELICE	LEFTERAD	TURBINA	VENTOLA	95/1004 L.8000
20	34239	1	MOTOR PLATE	PLAQUE P.MOTEUR	MOTORPLATTE	SOPORTE MOTOR	PIASTRA P.MOT.	L.9000-MI
21	33916	1	FLEX. COUPLING	ACC. ELASTIQUE	ELASTISCHE KUPF	ACOPL. ELASTICO	GIUNTO ELASTICO	IP W51 HP 5.5 2PS. 18 MI
22	07511	1	GASSET	GARNITURE	DICHTUNG	GUARNICION	GUARNIZIONE	LOLY 508
23	33676	1	CONVEYOR	TAPIS DE TRANS.	FORDERER	EMBALLADOR	CONVOGLIATORE	L.9000
24	32556	1	THRUSTLE	CONVOYEUR	KLAPPE	MARIPOGA	FARFALLA	LION PA
25	20127	6	CLIP	AGRAFE	KRAMPE	GRAPA	CLIP	R08
26	40239	1	BRACKET	ETRIER	BOGEL	GRAPA	STAFFA	L.9500 2IN
27	07923	1	CLAMP	BORNE	KLEBME	PRENS. SUJECION	MORSETTO	D. 8X16 M5 L0LY 5/700
28	33342	1	CORD	CORDE	KLEBING	CUERDA	CORDA	D. 1.9 L=1050 L.9000
29	14005	1	SOLID BOX	FOURREAU	HULSE	BRIJULA	BUSCOLA	D. 7X 6X L=9 D.GRAD. 4K3
30	25585	1	SHEATH	GAINE	MANTEL	VAINA	GUAINA	VIPLAST 2.5X4.5X5.2 5L420
32	33356	2	MANOEUVRE LEVER	LEVIER MANOEUV.	SCHALTEN HEBEL	PALANCA MANIOB.	LEVA DI MANOVRA	10X8 C/POM.SX 800
33	40241	1	BRACKET	BRIDE	BOGEL	GRAPA	STAFFA FISS.	L.95 MI

L. 9000 - 01.0001 - 010

L. 9000 - 01.0001 - 010

L. 9000 - 01.0001 - 010

TABLE N°:		DESCRIPTION:		SPARE PARTS LIST			DATE:	
07 01796 003		TRANSM. SYSTEM L. 9500 H PLUS					11.02.00	
REF. CODE	KIT QTY	DESCRIPTION	DENOMINATION	BESCHREIBUNG	DESCRIPCION	DESCRIZIONE	TECHNICAL FEATURES	NOTES
34	26133	1	GASKET	GARNITURE	DICHTUNG	GUARNICION	GUARNIZIONE	D.120X 86X8
35	34101	1	REDUCTION UNIT	REDUCTEUR	GETRIEBE	REDUCTOR	RIDOTTORE	PMY 3A 1/16 L.9
36	33220	2	PIN	PIVOT				
37	34350	2	BRACKET	ETRIER	BOGEL	GRAPA	STAFFA	L.9000 M.I. INX
38	32972	2	HUB	MOYEU	NABE	GRUETE	MOZZO	L.9000
39	32974	1	PULLEY	POULIE	RIEMENSCHNUR	POLEA	PULEGGIA	94-15PS TH.L.9000
40	32970	2	CAP	BOUCHON	VERSCHLUS	TAPON	TAPPO	L.9000
41	40271	1	BELT	CORROIE	RIEMEN	CORREA	CINGHIA	5L 6941 P.RATED
42	33795	1	PULLEY	POULIE	RIEMENSCHNUR	POLEA	PULEGGIA	92-15PS TH.L.9000
43	32976	1	PULLEY	POULIE	RIEMENSCHNUR	POLEA	PULEGGIA	150-15PA SP.L.9000
44	40242	1	PANEL	PANNEAU	TAFEL	PANEL	PANNELLO	L.9500 MI
46	40519	2	BUSHING	DOUILLE	BUCHE	MANGUITO	BOCOLA	L.9500
48	31814	2	PULLEY	POULIE	RIEMENSCHNUR	POLEA	PULEGGIA	POM 70 GP + 6201 2RS
50	40515	1	BELT-STR. LEVER	LEVIER T.COURE.	RIEMEN. HEBEL	PALANCA TENSOR	LEVA TENDICING.	L.9500
51	33215	2	BUSHING	DOUILLE	BUCHE	MANGUITO	BOCOLA	D. 16-24X12 07.
52	40272	1	BELT	CORROIE	RIEMEN	CORREA	CINGHIA	5L 6945 P.RATED
53	33024	1	PULLEY	POULIE	RIEMENSCHNUR	POLEA	PULEGGIA	149-20 L.9000
54	33336	2	WHEEL	ROUE	LAUFRAD	RUEA	CERCHIO	2.50/4" D.22
55	33730	2	SUPPORT	SUPPORT	HALTER	SOPORTE	SUPPORTO	D.26X8 88 L.28
56	26995	2	GRY HUB CAP	EMAJOLIVEUR GRIE	GRABNABENBUCK.	TAPA EJE GRIE	COPRIRUOTA GRI.	D. 110
57	33028	1	TRACTION SHAFT	ARBRE TRACTION	TRANT. WIRBELWEL	CIJENAL TRACC.	ALBERO TRAZIONE	L.9000 08
58	04761	4	CIRCLIP	SAGUE D'ARRET	DRAHTSPRINGRING	ARANDOLA MUELLE	ANELLO ELASTICO	D. 18 UNI 7435
59	09661	1	CIRCLIP	SAGUE D'ARRET	DRAHTSPRINGRING	ARANDOLA MUELLE	ANELLO ELASTICO	D. 52 UNI 7437
60	15981	1	BALL BEARING	BOULEN.A BILLES	KUGELLAGER	COJINE.DE BOLAS	CUSCIN.A SFERE	6205 2RS1
61	33614	1	SUPPORT	SUPPORT	HALTER	SOPORTE	SUPPORTO	L.9000 0X
62	33646	1	CIRCLIP	SAGUE D'ARRET	DRAHTSPRINGRING	ARANDOLA MUELLE	ANELLO ELASTICO	D. 80 UNI 7437
63	33022	1	FLANGE	BRIDE	FLANSCH	BRIDA	FLANGIA	L.9000
64	33648	1	CIRCLIP	SAGUE D'ARRET	DRAHTSPRINGRING	ARANDOLA MUELLE	ANELLO ELASTICO	D. 50 UNI 7435
65	33327	2	BALL BEARING	BOULEN.A BILLES	KUGELLAGER	COJINE.DE BOLAS	CUSCIN.A SFERE	6010 22
66	33020	1	SPACER	ENTRETOISE	DISTANZSTÜCK	SEPARADOR	DISTANZIALE	D. 74-80 L- 5
67	33016	1	FLANGE	BRIDE	FLANSCH	BRIDA	FLANGIA	L.9000
68	33018	1	DISC	DISQUE	SCHLEIBE	DISCO	DISCO	L.9000

TABLE N°:

07 01795 003

DESCRIPTION:

TRANSM. SYSTEM L. 9500 H PLUS

# EXPLODED VIEW

DATE:

11.02.00

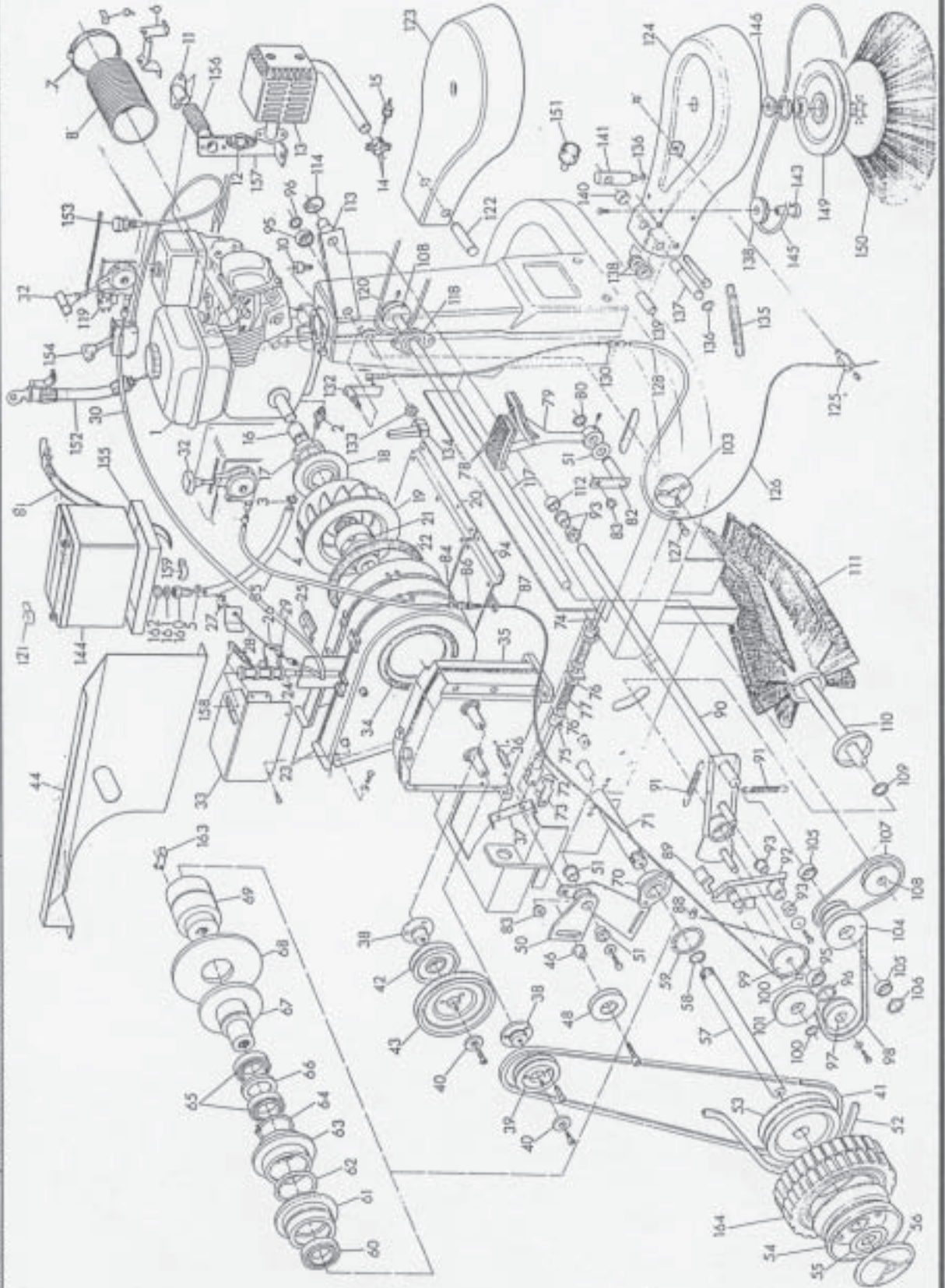


TABLE N°:		DESCRIPTION:				SPARE PARTS LIST		DATE:	
87 01796 003		TRANSM. SYSTEM L.9500 N PLUS						11.02.00	
REF. CODE	KIT QTY	DESCRIPTION	DENOMINATION	BESCHREIBUNG	DESCRIPCION	DESCRIZIONE	TECHNICAL FEATURES	NOTES	
69	33012	1	DIFFERENTIAL	DIFFERENTIEL	DIFFERENTIAL	DIFERENCIAL	DIFFERENZIALE	THE PEERLESS L.9-95	
70	33324	2	BEARING	COUSSINETTE	LAGER	COJINETE	CUSCINETTO	3PFS 305	
71	33026	1	TRACION SHAFT	ARBRE TRACTION	TRABT. KUSSENWEL	CIJENAL TRACC.	ALBERO TRAZIONE	L.9000 SX	
72	13359	2	FORK	FOURCHE	GABEL	HORNQUILLA	FORCELLA	M50 CT.	
73	33364	2	CLIP	AGRAFE	KRAMPE	GRAPA	CLIP	M50	
74	32954	1	CONTROL ROD	TIGE D. CONTROL	KONTROL. STANGE	VARILLA D. COMT.	ASTA COMANDO	L.9000	
75	32957	2	CIRCLIP	BAGUE D'ARRET	DRABTSPRENGRING	ARANDELA MUELLE	ANELLO DI FERRO	L.9000	
76	33826	4	BUSHING	DOUILLE	SUCHE	MANGUITO	BOCCOLA	D. 10.5-12/30 L-12 NYL	
77	32955	2	SPRING	RESSORT	FEDER	MUELLE	NELLA	D. 13.3 X74 L.9000	
78	29988	2	PROTECTION	PROTECTION	SCHUTZ	PROTECCION	PROTEZIONE	T56.300	
79	33441	1	FEED PEDAL	PEDALE DEPLACH.	VORWARTSGANGPED	PEDAL AVANCE	PEDALE AVANTAM.	L.9000	
80	33677	1	CIRCLIP	BAGUE D'ARRET	DRABTSPRENGRING	ARANDELA MUELLE	ANELLO ELASTICO	D. 16 UNI 7435	
81	35547	1	BELT	COUROIE	RIEMEN	CORREA	CINGHIA	PP. 25 L-1000 L.8	
82	32942	1	CONTROL LEVER	LEVIER CONTROL	STEUERUNG HEBEL	PALANCA MANDO	LEVA COMANDO	L.9000	
83	33825	2	BUSHING	DOUILLE	SUCHE	MANGUITO	BOCCOLA	D. 10-14/18 L- 9 L.9000	
85	38615	1	SEATE	GAINE	MANTEL	VAJNA	GIAINA	VIPLAST 3.5X6 XT L. 315	
86	02397	1	REGISTER	REGLEUR	KLAPPE	REGISTRO	REGISTRO	CH.11X 8MX35	
87	33346	1	CORD	CORDE	KLEINE	CUERDA	CORDA	D. 2.5 L-1030 L.9000	
88	34360	1	CLAMP	BORNE	KLEMME	FREN. SUJECION	MORSETTO	V6 9 K13	
89	33370	1	BRACKET	ETHIER	FUGEL	GRAPA	STAFFA	L.9000	
90	33007	1	CONTROL LEVER	LEVIER CONTROL	STEUERUNG HEBEL	PALANCA MANDO	LEVA COMANDO	L.9000 DX	
91	12044	2	SPRING	RESSORT	FEDER	MUELLE	NELLA	TR 088 50LY 700	
92	46521	1	LEVER	LEVIER	HEBEL	PALANCA	LEVA	L.9500 DX	
93	33216	4	BUSHING	DOUILLE	SUCHE	MANGUITO	BOCCOLA	D. 20-30X11.5	
94	34241	1	SUPPORT PLATE	PLAQUE SUPPORT	PLATTE HALTER	SOPORTE	PIASTRA SUPP.	L.9000M-MH	
95	33846	2	BALL BEARING	BOULEN. A BILLES	KUGELLAGER	COJINE DE BOLAS	CUSCIN. A SFERE	6004 2RS1	
96	14086	2	CIRCLIP	BAGUE D'ARRET	DRABTSPRENGRING	ARANDELA MUELLE	ANELLO ELASTICO	D. 42 UNI 7437	
97	32995	1	PULLEY	POULIE	RIEMENSCHLEIBE	POLEA	PULEGGIA	68-15FA L.9000	
98	33684	1	BELT	COUROIE	RIEMEN	CORREA	CINGHIA	AV 13 K1225	
99	32998	1	PULLEY	POULIE	RIEMENSCHLEIBE	POLEA	PULEGGIA	L.9000 NYL	
100	14016	2	CIRCLIP	BAGUE D'ARRET	DRABTSPRENGRING	ARANDELA MUELLE	ANELLO ELASTICO	D. 12 UNI 7435	
101	31814	1	PULLEY	POULIE	RIEMENSCHLEIBE	POLEA	PULEGGIA	PM 30 GP + 6201 2RS	

TABLE N°:		DESCRIPTION:				SPARE PARTS LIST		DATE:	
87 01796 003		TRANSM. SYSTEM L.9500 N PLUS						11.02.00	
REF. CODE	KIT QTY	DESCRIPTION	DENOMINATION	BESCHREIBUNG	DESCRIPCION	DESCRIZIONE	TECHNICAL FEATURES	NOTES	
103	32985	1	FLANGE	BRIDE	FLANSCH	BRIDA	FLANGIA	L.9000	
104	33961	1	PULLEY	POULIE	RIEMENSCHLEIBE	POLEA	PULEGGIA	80-1A/64-74 GT SPS L.9	
105	06174	2	BALL BEARING	BOULEN. A BILLES	KUGELLAGER	COJINE DE BOLAS	CUSCIN. A SFERE	6002-2RS1	
106	17003	1	CIRCLIP	BAGUE D'ARRET	DRABTSPRENGRING	ARANDELA MUELLE	ANELLO ELASTICO	D. 15 UNI 7435	
109	33320	1	BELT	COUROIE	RIEMEN	CORREA	CINGHIA	D.10X 400	
108	33793	2	PULLEY	POULIE	RIEMENSCHLEIBE	POLEA	PULEGGIA	70-12 L.9000	
109	06193	2	CIRCLIP	BAGUE D'ARRET	DRABTSPRENGRING	ARANDELA MUELLE	ANELLO ELASTICO	D. 20 UNI 7435	
110	32987	1	BRUSH SHAFT	ARBRE BROUSSE	BURSTENW. WEL	CIJENAL CEPILLO	ALBERO SPAZDOLA	L.9000	
111	31672	1	CENTRAL BRUSH	BROSSE CENTRALE	ZENTRAL BURSTE	CEPILLO CENTRAL	SPAZDOLA CENTR.	D.300X700 PPL 0.7	
112	33987	1	BUSHING	DOUILLE	SUCHE	MANGUITO	BOCCOLA	D. 20-35X15 L.9000	
113	32983	1	CONTROL LEVER	LEVIER CONTROL	STEUERUNG HEBEL	PALANCA MANDO	LEVA COMANDO	L.9000 SX	
114	02495	1	PLUG	GOUVILLE	STIFT	PASADOR	SPINA	D. 5	
117	33000	1	BRUSH SHAFT	ARBRE BROUSSE	BURSTENW. WEL	CIJENAL CEPILLO	ALBERO SPAZDOLA	L.9000 LT.	
118	06194	2	SUPPORT	SUPPORT	HALTER	SOPORTE	SUPPORTO	L8G D9FL 202	
119	33679	1	SWITCH	INTERUPTEUR	SCHALTER	INTERRUPTOR	INTERRUTTORE	XP52	
120	31823	1	BELT	COUROIE	RIEMEN	CORREA	CINGHIA	8X1100	
121	13601	2	PROTECTION	PROTECTION	GEMISCHT	PROTECCION	COPRICONTATTI	D. 15	
122	33999	1	PIPE	TUYAU	ROHR	TUBO	TUBETTO	D.12X60 L.9 1MX	
123	34022	1	LEFT SUPPORT	SUPPORT GAUCHE	LINK HALTER	SOPORTE SINIEN.	SUPPORTO SX	L.9000	
124	34020	1	RIGHT SUPPORT	SUPPORT DROITE	RECHTE HALTER	SOPORTE DERECHO	SUPPORTO DX	L.9000	
125	05543	2	BARREL	SARICAUT	AUSGLEICHSCHN.	BARRILETE	BARILOTTA	CH.14X23.5 M5 -M5 M	
126	38940	2	CORD	CORDE	KLEINE	CUERDA	CORDA	D. 2.5 L-1260 L.90/9500	
127	34024	2	BARREL	SARICAUT	AUSGLEICHSCHN.	BARRILETE	BARILOTTA	D.12X10X20 P.4-7	
128	32215	2	SEATE	GAINE	MANTEL	VAJNA	GIAINA	3,526X7X425	
130	28891	2	SOLID BOX	FOURREAU	WULSE	BRUJULA	BUSCOLA	D. 9.7X15 - D.5F D.3	
132	33034	2	CONTROL LEVER	LEVIER CONTROL	STEUERUNG HEBEL	PALANCA MANDO	LEVA COMANDO	L.9000	
133	34944	2	BUSHING	DOUILLE	SUCHE	MANGUITO	BOCCOLA	D. 20X14X26 NYL	
134	34947	2	HANDLE	POIGNON	GRIFF	TIRADOR	MANGIJA	M12 F L-115 L.8 2.V	
135	12055	2	SPRING	RESSORT	FEDER	MUELLE	NELLA	TR144 D. 12 841 F.1.1	
136	14016	4	CIRCLIP	BAGUE D'ARRET	DRABTSPRENGRING	ARANDELA MUELLE	ANELLO ELASTICO	D. 12 UNI 7435	
137	31812	2	PIN	PIVOT	ZAPPEN	FERNO	FERMO	L.9000 GR.	
138	31824	8	PULLEY	POULIE	RIEMENSCHLEIBE	POLEA	PULEGGIA	PM 35 GT	



TABLE N°:		DESCRIPTION:					SPARE PARTS LIST		DATE:	
07 01796 003		TRANSM. SYSTEM L. 9500 N PLUS							11.02.80	
REF. CODE	KIT QTY	DESCRIPTION	DENOMINATION	BESCHREIBUNG	DESCRIPCION	DESCRIZIONE	TECHNICAL FEATURES	NOTES		
139	33999	2	PIPE	TUYAU	ROHR	TUBO	TUBETTO	D. 12160 L. 9 INE		
140	33937	2	SPACER	ENTRETOISE	DISTANZSTÜCK	SEPARADOR	DISTANZIALE	D. 13-16 L= 17		
141	33814	2	PIK	PIVOT	JAPPEN	FERNO	FERNO	L. 9050 VT.		
143	33935	4	PIK	PIVOT	JAPPEN	FERNO	FERNO	SPT. L.		
144	12000	1	BATTERY	BATTERIE	BATTERIE	PILETTA	BATTERIA	32 AH 12V 120A		
145	33322	1	BELT	CORROIE	RIEMEN	CORREA	CINGHIA	D. 81300		
146	32128	2	SPACER	ENTRETOISE	DISTANZSTÜCK	SEPARADOR	DISTANZIALE	L. 9090		
149	39948	2	PULLEY	POULIE	RIEMENSCHNUR	POLEA	POLEGGIA	PM6 174 GT + 6201 283		
150	31673	2	SIDE-BRUSH	BROSSE LATERAL	SEITLICHE BORSTE	CEPILLO LATERAL	SPAZZOLA LATER.	D. 400		
151	10540	2	VIBRATION DAMP.	AMORTISSEUR	SCHWINGUNGSDAMP.	ANTIVIBRANTE	ANTIVIBRANTE	25X17- 1M6X32 -60+58E		
152	38393	1	EXTENSION	PALLONCE	VERLÄNGERUNG	PROLONGACION	PROLUNGA	HONDA GX 160		
153	33358	1	SMALL KNOB	PETIT POIGNEE	KNAUF	POMELLO	POMELLO	STARTER L. 1000		
154	36223	1	SMALL LEVER	PETIT LEVIER	KLEIN. HÄNDCHEN	MANILLA	MANETTINO	L. 9000		
155	33121	1	BATTERY SUPPORT	SUPPORTBATTERIE	HALTER BATTERIE	PORTABATERIA	PORTABATTERIA	L. 9000 M IMX		
156	34305	1	SPYRAL ROSE	TUYAU SPIRALE	SPIRALE ROHR	TUBO ESPIRAL	TUBO SPIRALATO	D. 25 L=165		
157	34307	1	SUPPORT	SUPPORT	HALTER	SOPORTE	SUPPORTO	HONDA L. 9000		
158	34379	1	SPRING	RESSORT	FEDER	MUELLE	MOLLA	TR 717 D. 8 X45 SP.1		
159	80253	1	CLIP	AGRAFE	KRAMPE	ARRABAZERA	GRAFFETTA	D. 9		
160	60628	1	HOSE FITTING	RACC. P. TUYAU	SCHLAUCH HALTER	PORTAMANGUERA	PORTAGOMMA	3/8 P D. 7-10		
161	60548	1	MASHER	MONDELE	SCHNITZ	ARMONIA	ROSETTA	D. 17,5X22X1,5 (3/8)		
162	12243	1	CAP	BOUCHON	VERSCHLUSS	TAPON	TAPPO	3/8M L=10		
163	35775	2	PLATE	PLAQUETTE	PLÄTTCHEN	SOPORTITO	PIASTRINA	L. 9000		
164	38323	2	WHEEL	ROUE	RAD	RUEDA	RUOTA	D. 3.00.4		

0000 000 01 0000 - 1000

0000 000 01 0000 - 1000

TABLE N°:		DESCRIPTION:					SPARE PARTS LIST		DATE:	
REF. CODE	KIT QTY	DESCRIPTION	DENOMINATION	BESCHREIBUNG	DESCRIPCION	DESCRIZIONE	TECHNICAL FEATURES	NOTES		

TABLE N° :

07 01797 003

DESCRIPTION :

FRANCK SYSTEM L.9500 ME PLUS

# EXPLODED VIEW

DATE :

11.02.00

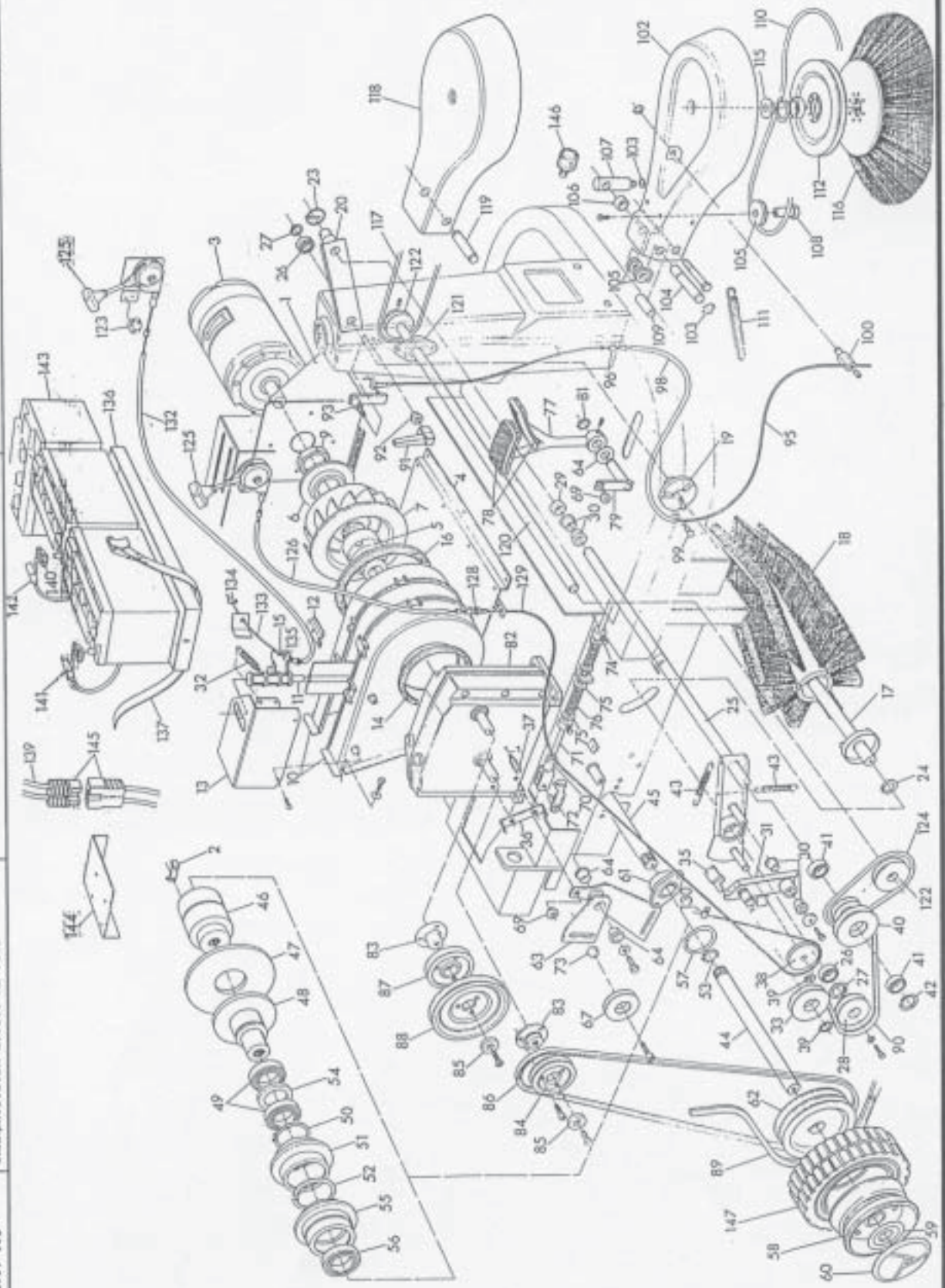


TABLE N° :		DESCRIPTION :				SPARE PARTS LIST		DATE :	
87 81797 003		TRANSM. SYSTEM L.9500 ME PLUS						11.82.00	
REF. CODE KIT	QTY	DESCRIPTION	DENOMINATION	BESCHREIBUNG	DESCRIPCION	DESCRIZIONE	TECHNICAL FEATURES	NOTES	
1	33118	1	MOTOR PLATE	PLAQUE P.MOTEUR	MOTORPLATTE	SCORTE MOTOR	PIASTRA P.MOT.	L.9000 ME	
2	35775	2	PLATE	PLAQUETTE	PLATZCHEN	SCORTITO	PIASTRINA	L.9000	
3	31586	1	TRACTION MOTOR	MOTEUR TRACTION	TRATION MOTOR	MOTOR TRACCION	MOTORE TRAZIONE	CC MP 24V 1500W 2900RPM	
4	32698	1	MOTOR PLATE	PLAQUE P.MOTEUR	MOTORPLATTE	SCORTE MOTOR	PIASTRA P.MOT.	L.9000	
5	33797	1	FLEX. COUPLING	ACC. ELASTIQUE	ELASTISCHE KUPF	ACOPL. ELASTICO	GIUNTO ELASTICO	1P W51 EP 5.5 2PL. 18 ME	
6	32110	1	CUPEL	COUPELLE	SCHOPFNOFFY	COPA	COPELLA	L.8000	
7	32152	1	IMPELLER	HELICE	LUFTERAD	TURBINA	VENTOLA	90/1004 L.8000	
9	32979	1	RING W/VT	FRETTE	MUTHUTTER	CASQUILLO	GRERA	L.9000	
10	33676	1	CONVEYOR	TAPIS DE TRANS.	FORDERER	ENROLLADOR	CONVOGLIATORE	L.9000	
11	32556	1	THROTTLE	CONVOYEUR	KLAPPE	MARIPOSA	FARFALLA	LION PA	
12	20127	6	CLIP	AGRAFE	KRAMPE	GRAFA	CLIP	KRM	
13	40239	1	BRACKET	ETRIER	BOGEL	GRAFA	STAFFA	L.9500 IIN	
14	26133	1	GASKET	GARNITURE	DICHTUNG	GUARNICION	GUARNIZIONE	D.120X 8620	
15	40240	1	BRACKET	BRIDE	BOGEL	GRAFA	STAFFA FISS.	L.95 ME	
16	07511	1	GASKET	GARNITURE	DICHTUNG	GUARNICION	GUARNIZIONE	LOLY 500	
17	32987	1	BRUSH SHAFT	BRUSSE BROUSSE	BRUSTENBURS.WELL	CIENVAL CEPILLO	ALBERO SPAZZOLA	L.9000	
18	31672	1	CENTRAL BRUSH	BROSSE CENTRALE	ZENTRAL BRUSSTE	CEPILLO CENTRAL	SPAZZOLA CENTR.	D.360X700 PPL 0.7	
19	32985	1	FLANGE	BRIDE	FLANSCH	BRIDA	FLANGIA	L.9000	
20	32983	1	CONTROL LEVER	LEVIER CONTROLE	STEUERUNG HEBEL	PALANCA MANDO	LEVA COMANDO	L.9000 SE	
23	02405	1	PLUG	GOUPILOE	STIFT	PASADOR	SPINA	D. 5	
24	06193	2	CIRCLIP	BAGUE D'ARRET	DRANTSFENGRING	ARANDELA MUELLE	ANELLO ELASTICO	D. 20 UNI 7435	
25	33807	1	CONTROL LEVER	LEVIER CONTROLE	STEUERUNG HEBEL	PALANCA MANDO	LEVA COMANDO	L.9000 SE	
26	19846	2	BALL BEARING	BOULEM.A BILLES	KUGELLAGER	COJINE.DE BOLAS	CUSCIN.A SPERE	6004 2RS1	
27	14086	2	CIRCLIP	BAGUE D'ARRET	DRANTSFENGRING	ARANDELA MUELLE	ANELLO ELASTICO	D. 42 UNI 7437	
28	32996	1	PULLEY	POULIE	RIEMENSCHNUR	POLEA	PULLEGIA	60-18PA L.9000	
29	33807	1	BUSHING	DOUVILLE	BUCHE	MANGUITO	BOCCOLA	D. 20-35X15 L.9000	
30	33216	4	BUSHING	DOUVILLE	BUCHE	MANGUITO	BOCCOLA	D. 20-30X11.5	
31	40521	1	LEVER	LEVIER	HEBEL	PALANCA	LEVA	L.9500 SE	
32	34379	1	SPRING	RESSORT	FEDER	MUELLE	MOLLA	TR T17 D. 8 165 SP.1	
33	31814	1	PULLEY	POULIE	RIEMENSCHNUR	POLEA	PULLEGIA	POW 70 GP + 6201 2RS	
35	33370	1	BRACKET	ETRIER	BOGEL	GRAFA	STAFFA	L.9000	
36	34350	2	BRACKET	ETRIER	BOGEL	GRAFA	STAFFA	L.9000 M.I. IXX	

TABLE N° :		DESCRIPTION :				SPARE PARTS LIST		DATE :	
87 01797 003		TRANSM. SYSTEM L.9500 ME PLUS						11.82.00	
REF. CODE KIT	QTY	DESCRIPTION	DENOMINATION	BESCHREIBUNG	DESCRIPCION	DESCRIZIONE	TECHNICAL FEATURES	NOTES	
37	33220	2	PIE	PIVOT	LAPPEN	PERNO	PERNO	L.9000	
38	32998	1	PULLEY	POULIE	RIEMENSCHNUR	POLEA	PULLEGIA	L.9000 NYL	
39	14016	2	CIRCLIP	BAGUE D'ARRET	DRANTSFENGRING	ARANDELA MUELLE	ANELLO ELASTICO	D. 12 UNI 7435	
40	33001	1	PULLEY	POULIE	RIEMENSCHNUR	POLEA	PULLEGIA	80-1A/64-74 GT SPE L.9	
41	06174	2	BALL BEARING	BOULEM.A BILLES	KUGELLAGER	COJINE.DE BOLAS	CUSCIN.A SPERE	6002-2RS1	
42	17003	1	CIRCLIP	BAGUE D'ARRET	DRANTSFENGRING	ARANDELA MUELLE	ANELLO ELASTICO	D. 15 UNI 7435	
43	12044	2	SPRING	RESSORT	FEDER	MUELLE	MOLLA	TR 088 LOEY 100	
44	33020	1	TRACTION SHAFT	BRUSSE TRACTION	TRANT.BRUSSENWEL	CIENVAL TRACC.	ALBERO TRAZIONE	L.9000 SE	
45	33026	1	TRACTION SHAFT	BRUSSE TRACTION	TRANT.BRUSSENWEL	CIENVAL TRACC.	ALBERO TRAZIONE	L.9000 SE	
46	33012	1	DIFFERENTIAL	DIFFERENTIEL	DIFFERENTIAL	DIFERENCIAL	DIFFERENZIALE	TMS POWERLESS L.9-95	
47	33018	1	DISC	DISQUE	SCHNUR	DISCO	DISCO	L.9000	
48	33016	1	FLANGE	BRIDE	FLANSCH	BRIDA	FLANGIA	L.9000	
49	33327	2	BALL BEARING	BOULEM.A BILLES	KUGELLAGER	COJINE.DE BOLAS	CUSCIN.A SPERE	6010 2S	
50	33648	1	CIRCLIP	BAGUE D'ARRET	DRANTSFENGRING	ARANDELA MUELLE	ANELLO ELASTICO	D. 50 UNI 7435	
51	33022	1	FLANGE	BRIDE	FLANSCH	BRIDA	FLANGIA	L.9000	
52	33646	1	CIRCLIP	BAGUE D'ARRET	DRANTSFENGRING	ARANDELA MUELLE	ANELLO ELASTICO	D. 80 UNI 7437	
53	06761	4	CIRCLIP	BAGUE D'ARRET	DRANTSFENGRING	ARANDELA MUELLE	ANELLO ELASTICO	D. 18 UNI 7435	
54	33020	1	SPACER	ENTRUSTOISE	DESTANSTUCK	SEPARADOR	DISTANZIALE	D. 76-80 L= 5	
55	13014	1	SUPPORT	SUPPORT	BALZER	SCORTE	SUPPORTO	L.9000 SE	
56	15981	1	BALL BEARING	BOULEM.A BILLES	KUGELLAGER	COJINE.DE BOLAS	CUSCIN.A SPERE	6205 2RS1	
57	00661	1	CIRCLIP	BAGUE D'ARRET	DRANTSFENGRING	ARANDELA MUELLE	ANELLO ELASTICO	D. 52 UNI 7437	
58	33336	2	WHEEL	ROUE	LAUFRAD	RUEDA	CERCHIO	2.50/4" D.22	
59	33730	2	SUPPORT	SUPPORT	BALZER	SCORTE	SUPPORTO	3.260X 88 L.2M	
60	28995	2	GRAY HUB CAP	ENJOLIVEUR GRIS	GRIMMARENDECK.	TAPA EJE GRIS	COPRIRUOTA GR.	D. 110	
61	33324	2	BEARING	COUSSINETTE	LAGER	COJINETE	CUSCINETTO	SPFL 205	
62	33024	1	PULLEY	POULIE	RIEMENSCHNUR	POLEA	PULLEGIA	140-20 L.9000	
63	40515	1	SELF-STR. LEVER	LEVIER T.CONTR.	RIEMEN. HEBEL	PALANCA TENSOR	LEVA TENSORING.	L.9500	
64	33215	2	BUSHING	DOUVILLE	BUCHE	MANGUITO	BOCCOLA	D. 16-24X12 OF.	
67	31814	2	PULLEY	POULIE	RIEMENSCHNUR	POLEA	PULLEGIA	POW 70 GP + 6201 2RS	
69	33825	2	BUSHING	DOUVILLE	BUCHE	MANGUITO	BOCCOLA	D. 10-14/18 L= 9 L.9000	
70	33359	2	FOKE	FOURCHE	GABEL	BORQUILLA	FORCELLA	MIS CT.	
71	32954	1	CONTROL ROD	TIGE D.CONTROLE	KONTROL. STANGE	VARILLA D.CONT.	ASTA COMANDO	L.9000	



TABLE N° :		DESCRIPTION :				SPARE PARTS LIST		DATE :	
07 01797 003		TRANSM. SYSTEM L.9500 ME PLUS						11.02.88	
REF. CODE	KIT QTY	DESCRIPTION	DENOMINATION	BESCHREIBUNG	DESCRIPCION	DESCRIZIONE	TECHNICAL FEATURES	NOTES	
72	33364	2	CLIP	AGRAFE	KRAMPE	GRAPA	CLIP	M10	
73	40519	2	BUSHING	DOUILLE	BUCHE	MANGUITO	BOCCOLA	L.9500	
74	32957	2	CIRCLIP	BAGUE D'ARRET	DRAYTSFROENKING	ARANDELA MUELLE	ANELLO DI FERRO	L.9000	
75	32828	4	BUSHING	DOUILLE	BUCHE	MANGUITO	BOCCOLA	D. 10.5-12/20 L-12 NYL	
76	32955	2	SPRING	RESSORT	FEDER	MUELLE	MOLLA	D. 13.2 X74 L.9000	
77	33441	1	FEED PEDAL	PEDALE DEPLACM.	VORWARTSGANGPED	PEDAL AVANCE	PEDALE AVANZAM.	L.9000	
78	29988	2	PROTECTION	PROTECTION	SCHUTZ	PROTECCION	PROTEZIONE	T10.300	
79	32962	1	CONTROL LEVER	LEVIER CONTROLE	STEUERUNG HEBEL	PALANCA MANDO	LEVA COMANDO	L.9000	
81	33677	1	CIRCLIP	BAGUE D'ARRET	DRAYTSFROENKING	ARANDELA MUELLE	ANELLO ELASTICO	D. 18 UNI 7435	
82	34101	1	REDUCTION UNIT	REDUCTEUR	GETRIEBE	REDUCTOR	REDUTTORE	FRY 2A 1/16 L.9	
83	32972	2	NSH	MOYEU	NABE	GUMSTE	MOZZO	L.9000	
84	32974	1	PULLEY	POULIE	RIDENSCHKEIBE	POLEA	PULEGGIA	94-15PB TR.L.9000	
85	32970	2	CAF	BOUCHON	VERSCHLUS	TAPON	TAPPO	L.9000	
86	40271	1	BELT	COURROIE	RIDEM	CORREA	CINGHIA	5L 6941 P.8ATED	
87	33795	1	PULLEY	POULIE	RIDENSCHKEIBE	POLEA	PULEGGIA	92-15PB TR.L.9000	
88	32976	1	PULLEY	POULIE	RIDENSCHKEIBE	POLEA	PULEGGIA	150-15PB SP.L.9000	
89	40272	1	BELT	COURROIE	RIDEM	CORREA	CINGHIA	5L 6945 P.8ATED	
90	33684	1	BELT	COURROIE	RIDEM	CORREA	CINGHIA	AV 13 X1225	
91	34947	2	HANDLE	POIGNEE	GRIF	TIJADOR	MANGILIA	M12 F L-115 L.8 2.V	
92	34944	2	BUSHING	DOUILLE	BUCHE	MANGUITO	BOCCOLA	D. 20X16X24 NYL	
93	33834	2	CONTROL LEVER	LEVIER CONTROLE	STEUERUNG HEBEL	PALANCA MANDO	LEVA COMANDO	L.9000	
95	33040	2	CORD	CORDE	KLEINS	CUERDA	CORDA	D. 2.5 L-1360 L.90/9500	
96	28891	2	SOLID BOX	FOURREAU	HULSE	BRUJULA	SUSSOLA	D. 9.7X15 - D.5F D.3	
98	32215	2	SHOATH	GAINE	MANTEL	VAINA	GUAINA	3,508X7425	
99	34024	2	BARREL	BARICAUT	AUSGLEICHERHAL.	BARILETE	BARILOTTO	D.12X10X20 F.4-7	
100	40543	2	BARREL	BARICAUT	AUSGLEICHERHAL.	BARILETE	BARILOTTO	CR.14X23.5 MS +MS M	
102	34020	1	SUPPORT	SUPPORT DROITE	RECHTE HALTER	SOPORTE DERECHO	SUPPORTO DX	L.9000	
103	34016	4	CIRCLIP	BAGUE D'ARRET	DRAYTSFROENKING	ARANDELA MUELLE	ANELLO ELASTICO	D. 12 UNI 7435	
104	33812	2	FIN	PIVOT	ZAPFEN	PERNO	PERNO	L.9000 GR.	
105	31826	8	PULLEY	POULIE	RIDENSCHKEIBE	POLEA	PULEGGIA	POM 35 GT	
106	33937	2	SPACER	ENTRETOISE	DISTANZSTUCK	SEPARADOR	DISTANZIALE	D. 13-16 L- 17	
107	33814	2	FIN	PIVOT	ZAPFEN	PERNO	PERNO	L.9000 VT.	

TABLE N° :		DESCRIPTION :				SPARE PARTS LIST		DATE :	
07 01797 003		TRANSM. SYSTEM L.9500 ME PLUS						11.02.88	
REF. CODE	KIT QTY	DESCRIPTION	DENOMINATION	BESCHREIBUNG	DESCRIPCION	DESCRIZIONE	TECHNICAL FEATURES	NOTES	
108	33935	4	FIN	PIVOT	ZAPFEN	PERNO	PERNO	SPL.L.	
109	33989	1	PIPE	TUYAU	ROHR	TUBO	TUBETTO	D.12X60 L.9 10X	
110	33322	1	BELT	COURROIE	RIDEM	CORREA	CINGHIA	D. 6X1300	
111	12065	2	SPRING	RESSORT	FEDER	MUELLE	MOLLA	TR144 D. 12 X41 F.1.5	
112	39048	2	PULLEY	POULIE	RIDENSCHKEIBE	POLEA	PULEGGIA	FR6 174 GT + 6201 100	
115	32128	2	SPACER	ENTRETOISE	DISTANZSTUCK	SEPARADOR	DISTANZIALE	L.8000	
116	31673	2	SHOATH	BROSSE LATERAL	SEITLICH BURSTE	CEPILLO LATERAL	SPAZZOLA LATER.	D. 400	
117	31623	1	BELT	COURROIE	RIDEM	CORREA	CINGHIA	8X1100	
118	34022	1	LEFT SUPPORT	SUPPORT GAUCHE	LINK HALTER	SOPORTE SINIES.	SUPPORTO SX	L.9000	
119	33999	1	PIPE	TUYAU	ROHR	TUBO	TUBETTO	D.12X60 L.9 10X	
120	33000	1	BRUSH SHAFT	ARBRE BROSS	BURSTENKING.WELL	CILINDRAL CEPILLO	ALBERO SPAZZOLA	L.9000 LY.	
121	06106	2	SUPPORT	SUPPORT	HALTER	SOPORTE	SUPPORTO	LEG 8PFL 202	
122	33793	2	PULLEY	POULIE	RIDENSCHKEIBE	POLEA	PULEGGIA	76-12 L.9000	
123	33679	1	SWITCH	INTERRUPTEUR	SCHALTER	INTERRUPTOR	INTERRUTTORE	XP52	
124	33220	1	BELT	COURROIE	RIDEM	CORREA	CINGHIA	D.10X 400	
125	33356	2	MANOEUVRE LEVER	LEVIER MANOEUV.	SCHALTEN HEBEL	PALANCA MANTON.	LEVA DI MANOVRA	190X C/90M.6X 800	
126	38615	2	SHOATH	GAINE	MANTEL	VAINA	GUAINA	VIPLAST 3.516 ET L. 315	
128	02397	1	REGISTER	REGLEUR	KLAPPE	REGISTRO	REGISTRO	CR.12X 8MA135	
129	33346	1	CORD	CORDE	KLEINS	CUERDA	CORDA	D. 2.5 L-1020 L.9000	
130	34360	1	CLAMP	BORNE	KLEPPE	PRENS. SUECCION	MORSETTO	VL 9 X13	
132	25585	1	SHOATH	GAINE	MANTEL	VAINA	GUAINA	VIPLAST 2.514.515.2 L1420	
133	33342	1	CORD	CORDE	KLEINS	CUERDA	CORDA	D. 1.9 L-1850 L.9000	
134	07923	1	CLAMP	BORNE	KLEPPE	PRENS. SUECCION	MORSETTO	D. 8X16 MS L0LY 5/700	
135	14005	1	SOLID BOX	FOURREAU	HULSE	BRUJULA	SUSSOLA	D. 7X 6X L-9 D.GRAD. 4X3	
136	33398	2	BATTERY SUPPORT	SUPPORT BATTERIE	HALTER BATTERIE	PORTABATERIA	PORTABATTERIA	L.9000 ME 10X	
137	35547	4	BELT	COURROIE	RIDEM	CORREA	CINGHIA	FP. 25 L-1000 L.8	
139	38181	1	CABLE	CABLE	KABEL	CABLE	CAVO	8(194 1X16 L-57/125	
140	38663	3	CABLE	CABLE	KABEL	CABLE	CAVO	SC 1X16 L- 30	
141	09359	4	COMLING	COIFFE	KLEINE HAUSE	COPIA	COFFIETTA	GRIS. 850	
142	17888	4	COMLING	COIFFE	KLEINE HAUSE	COPIA	COFFIETTA	GRIS. 850	
143	06052	4	BATTERY	BATTERIE	BATERIE	PILETTA	BATTERIA	240 AH 6V S.TR.	
144	33132	1	SUPPORT BRACKET	ETRIER SUPPORT	HALTER BÜGEL	GRAPA SOPORTE	STAFFA SUPPORTO	L.9000 ME	

DATE : 11.02.00

**EXPLODED VIEW**

DESCRIPTION :  
TRANSM. SYSTEM L. 9500 ME PLUS

TABLE N° :  
07 01797 003

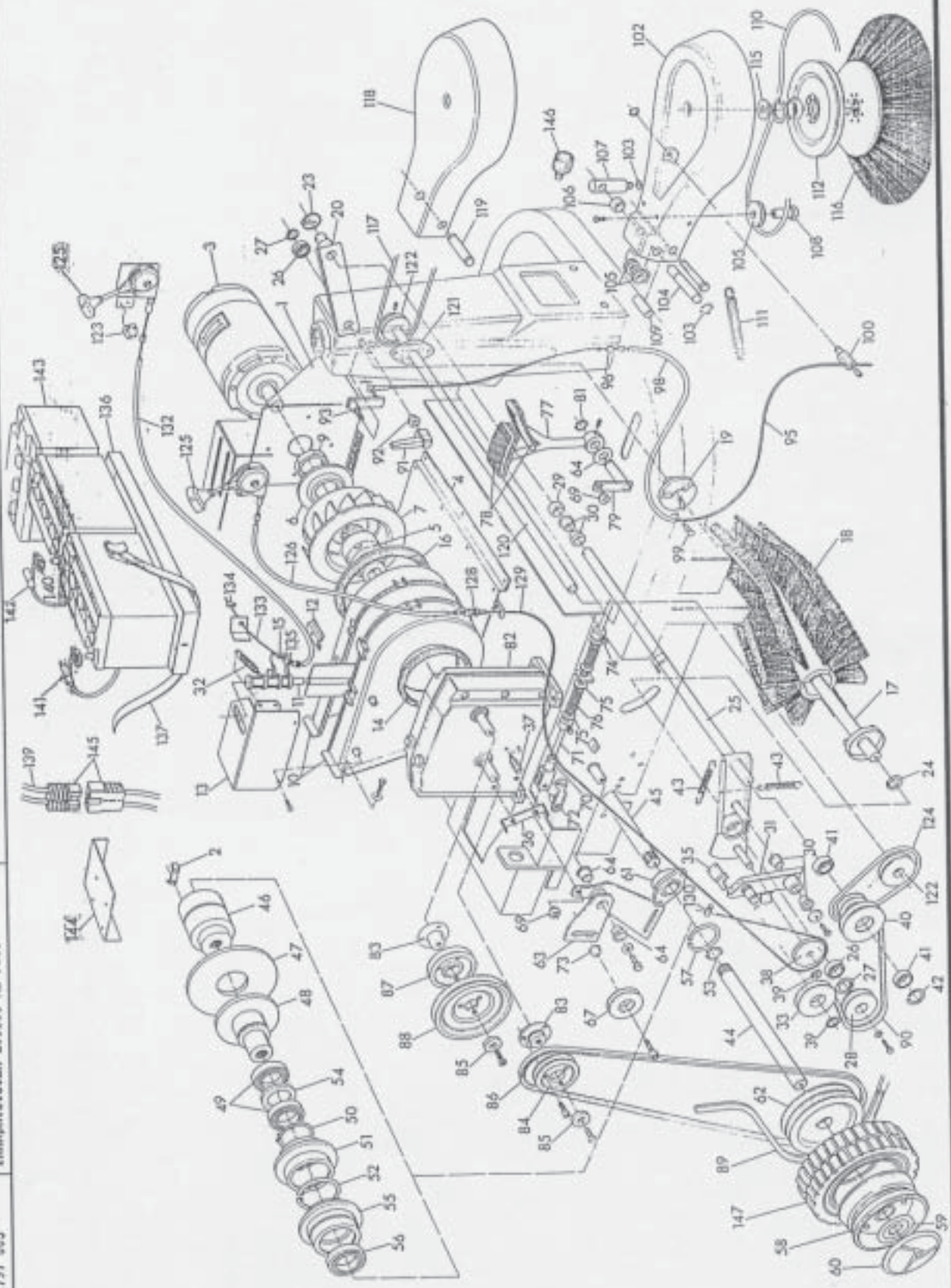


TABLE N° :		DESCRIPTION :				SPARE PARTS LIST			DATE :	
07 01797 003		TRANSM. SYSTEM L. 9500 ME PLUS							11.02.00	
REF. CODE KIT	QTY	DESCRIPTION	DENOMINATION	BESCHREIBUNG	DESCRIPCION	DESCRIZIONE	TECHNICAL FEATURES	NOTES		
145 07039	1	FLUG	GOEUILLE	STIFT	PASADOR	SPINA	E129			
146 10540	2	VIBRATION DAMP.	AMORTISSEUR	SCHWINGUNGSDAMP.	ANTI-VIBRANTE	ANTI-VIBRANTE	25X17-1M6X32	-60+50K		
147 38323	2	WHEEL	ROCK	RAD	RUEDA	RUOTA	Ø. 3.00.4			

MOS 438 - 02.0000 - 1/07

MOS 438 - 02.0000 - 1/07

TABLE N° :		DESCRIPTION :				SPARE PARTS LIST			DATE :	
REF. CODE KIT	QTY	DESCRIPTION	DENOMINATION	BESCHREIBUNG	DESCRIPCION	DESCRIZIONE	TECHNICAL FEATURES	NOTES		

MOS 438 - 02.0000 - 1/07

MOS 438 - 02.0000 - 1/07



TABLE N° :		DESCRIPTION :			SPARE PARTS LIST			DATE :	
87 01591 002		REDUCTION GEAR PRT 3A 1/16						6.05.98	
REF. CODE	KIT QTY	DESCRIPTION	DENOMINATION	BESCHREIBUNG	DESCRIPCION	DESCRIZIONE	TECHNICAL FEATURES	NOTES	
1	33042	1	CRANKCASE	CARTER	GEHAUSE	CARTER	CARTER	5.9000	EST
2	33044	1	CRANKCASE	CARTER	GEHAUSE	CARTER	CARTER	1.9000	MOT.
3	33472	8	BALL BEARING	BOULON.A.BILLES	KUGELLAGER	COJINE.DE.BOLAS	CUSCIN.A.SFERE	6004	
4	33473	3	OIL SEAL	JOINT SPI	OLDSCHNURRING	ANILLO EST.ACE.	ANELLO RADIALE	20X 32X 7-1,CM	-NERTO
5	33050	1	TOOTHED WHEEL	ROUE DENTEE	ZAHRAD	RUEDA DENTEL.	RUOTA DENTATA	2- 48 N. 2 STL	
6	33046	1	TRACTION SHAFT	ARBRE TRACTION	TRANT.KURZENWEL	CIGENAL TRACC.	ALBERO TRAZIONE	1.9000	
7	33051	1	TOOTHED WHEEL	ROUE DENTEE	ZAHRAD	RUEDA DENTEL.	RUOTA DENTATA	2- 52 N. 2 STL	
8	33047	1	SHAFT	ARBRE	KURSELWELLE	CIGENAL	ALBERO	1.9000	
9	33674	1	CIRCLIP	BAGUE D'ARRET	GRANTSPRENGRING	ANARQUILA MUELLE	ANELLO ELASTICO	D. 22 UNI 7435	
10	33048	1	SHAFT	ARBRE	KURSELWELLE	CIGENAL	ALBERO	1.9000	
11	33049	1	SHAFT	ARBRE	KURSELWELLE	CIGENAL	ALBERO	1.9000	
12	09653	1	OIL DIPSTICK	JARGE D'HUILE	OLMESSTAB	TAPON ACEITE	TAPPO CAR.OGLIO	G 3/8 37	
13	36473	1	TOOTHED WHEEL	ROUE DENTEE	ZAHRAD	RUEDA DENTEL.	RUOTA DENTATA	2- 52 N. 2 C40 L.9	
14	01117	8	SCREW	VIS	SCHRAUBE	TORNILLO	VITE	TCR1 6X35 UNI 5931 12.9	
15	23472	7	KEY	CLE	WELL	CHAVETA	CHIAVETTA	6X6X25	
16	13145	2	KEY	CLE	WELL	CHAVETA	CHIAVETTA	5X5X20	

MOTO 438 - 01.000 - 1.97

MOTO 438 - 01.000 - 1.97

TABLE N° :		DESCRIPTION :			SPARE PARTS LIST			DATE :	
REF. CODE	KIT QTY	DESCRIPTION	DENOMINATION	BESCHREIBUNG	DESCRIPCION	DESCRIZIONE	TECHNICAL FEATURES	NOTES	

MOTO 438 - 02.000 - 1.97

MOTO 438 - 02.000 - 1.97

TABLE N°:		DESCRIPTION:					SPARE PARTS LIST		DATE:	
07 01591 002		REDUCTION GEAR PRT 3A 1/16							6.05.98	
REF. CODE	KIT	QTY	DESCRIPTION	DENOMINATION	BESCHREIBUNG	DESCRIPCION	DESCRIZIONE	TECHNICAL FEATURES	NOTES	
1	33042	1	CRANKCASE	CARTER	GEHAUSE	CARTER	CARTER	L.9000 EXT		
2	33044	1	CRANKCASE	CARTER	GEHAUSE	CARTER	CARTER	L.9000 INT.		
3	33472	8	BALL BEARING	BOULEN.A.BILLES	KUGELLAGER	COJINE DE BOLAS	CUSCIV.A SFERE	6004		
4	33473	3	OIL SEAL	JOINT SPI	OLDCRYSTUNGSRING	ANILLO EXT.ACE.	ANELLO RADIALE	22X 32X 7-1.CM	-H8RT0	
5	33058	1	TOOTHED WHEEL	ROUE DENTEE	SAHNRAD	RUEDA DENTEL.	RUOTA DENTATA	Z= 48 M. 2 NYL		
6	33046	1	TRACTION SHAFT	ARBRE TRACTION	TRANT.KURVENWLL	CIEENAL TRACC.	ALBERO TRAZIONE	L.9000		
7	33051	1	TOOTHED WHEEL	ROUE DENTEE	SAHNRAD	RUEDA DENTEL.	RUOTA DENTATA	Z= 52 M. 2 NYL		
8	33047	1	SHAFT	ARBRE	KURBELWELLE	CIEENAL	ALBERO	L.9000		
9	33674	1	CIRCLIP	BOUE D'ARRET	DRARTSPRENGRING	ARABELA MUELAR	ANELLO ELASTICO	D. 22 UNI 7435		
10	33048	1	SHAFT	ARBRE	KURBELWELLE	CIEENAL	ALBERO	L.9000		
11	33049	1	SHAFT	ARBRE	KURBELWELLE	CIEENAL	ALBERO	L.9000		
12	09853	1	OIL DIPSTICK	JADGE D'UILE	OLMESSTAB	TAPON ACEITE	TAPPO CAR.OLIO	G 3/8 RJ		
13	36473	1	TOOTHED WHEEL	ROUE DENTEE	SAHNRAD	RUEDA DENTEL.	RUOTA DENTATA	Z= 52 M. 2 C40 L.9		
14	01117	8	SCREW	VIS	SCHRAUBE	TORNILLO	VITE	TCEI 6X35 UNI 5931 12.9		
15	23472	7	KEY	CLE	KEIL	CHAVETA	CHIAVETTA	68625		
16	13165	2	KEY	CLE	KEIL	CHAVETA	CHIAVETTA	52520		

TABLE N°:		DESCRIPTION:					SPARE PARTS LIST		DATE:	
REF. CODE	KIT	QTY	DESCRIPTION	DENOMINATION	BESCHREIBUNG	DESCRIPCION	DESCRIZIONE	TECHNICAL FEATURES	NOTES	

TABLE N° :  
04 00503 001

DESCRIPTION :  
L. 9500M PLS 12V

EXPLODED VIEW

DATE :  
6.05.98

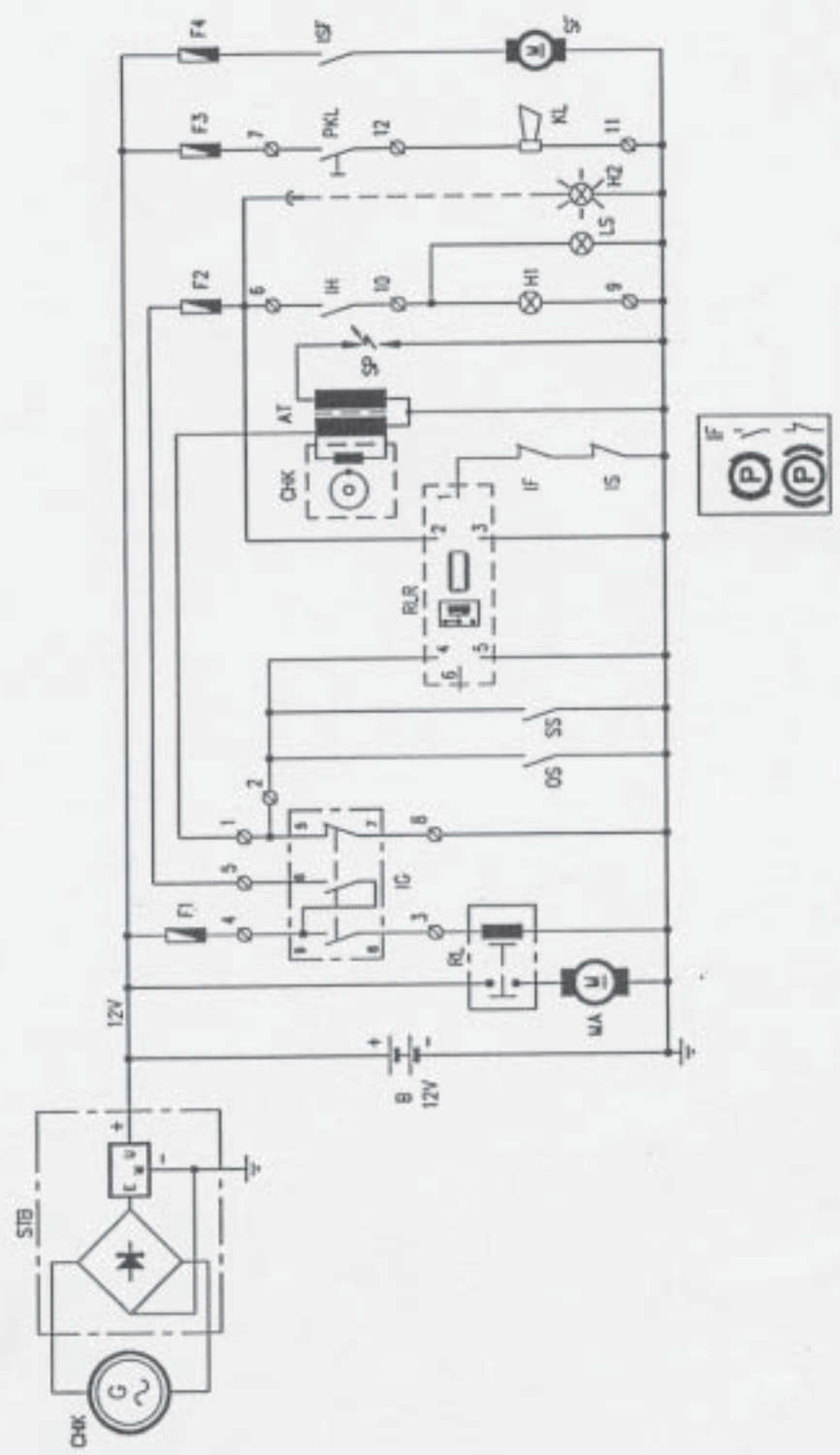


TABLE N° :		DESCRIPTION :		SPARE PARTS LIST				DATE :	
04 80503 981		L.9500M PLS 12V						6.05.98	
REF. CODE	KIT	QTY	DESCRIPTION	DENOMINATION	BESCHREIBUNG	DESCRIPCION	DESCRIZIONE	TECHNICAL FEATURES	NOTES
B	12000	1	BATTERY	BATTERIE	BATTERIE	PILETTA	BATTERIA	32 AH 12V 120A	
F	31150	2	FUSE	FUSIBLE	ABSCHMEL.HERUNG	FUSIBLE	FUSIBILE	15 A AGU.	F1, F4
B	33680	1	LANTERN	FANAL	LAMPE	FANAL	FANALE	21W	
I	33451	2	SWITCH	INTERRUPTEUR	SCHALTER	INTERRUPTOR	INTERRUTTORE	MTA	IS, SS
I	33679	2	SWITCH	INTERRUPTEUR	SCHALTER	INTERRUPTOR	INTERRUTTORE	XP52	IF, ISF
F2	31183	1	FUSE	FUSIBLE	ABSCHMEL.HERUNG	FUSIBLE	FUSIBILE	2 A GRU.	
F3	31185	1	FUSE	FUSIBLE	ABSCHMEL.HERUNG	FUSIBLE	FUSIBILE	3 A VL.	
K2	35256	1	LAMP	AMPOULE	LAMPE	LAMPARA	LAMPADA	FLASH 12V 21W AG.	OPTIONAL ACC.
IG	31934	1	SWITCH	INTERRUPTEUR	SCHALTER	INTERRUPTOR	INTERRUTTORE	GE 340	
IH	30499	1	SWITCH	INTERRUPTEUR	SCHALTER	INTERRUPTOR	INTERRUTTORE	T.300	
XL	33429	1	KLARON	KLARON	HUPE	AVISADOR ACUST.	AVV. ACUSTICO	K100/Y 1A 12V	
LS	36224	1	LAMP	AMPOULE	LAMPE	LAMPARA	LAMPADA	12V VHD 6LX	
SF	37918	1	MOTOR	MOTEUR	MOTOR	MOTOR	MOTORE	MP56M 12V 90/120W IP44	
PKL	30417	1	SWITCH	INTERRUPTEUR	SCHALTER	INTERRUPTOR	INTERRUTTORE	D.15 TIG.	
HLR	39932	1	TIMER	MINUTEUR	ZEITGEBER	TEMPORIZADOR	TEMPORIZZATORE	HTS/1 12-24V CC	IS.
STB	33681	1	ADJUSTER	REGULATEUR	REGLER	REGULADOR	REGOLATORE	H12V	

MOTO 458 - 01.10.00 - 1.000

MOTO 458 - 01.10.00 - 1.000

TABLE N° :		DESCRIPTION :		SPARE PARTS LIST				DATE :	
REF. CODE	KIT	QTY	DESCRIPTION	DENOMINATION	BESCHREIBUNG	DESCRIPCION	DESCRIZIONE	TECHNICAL FEATURES	NOTES

MOTO 458 - 01.10.00 - 1.000

MOTO 458 - 01.10.00 - 1.000



TABLE N° :		DESCRIPTION :		SPARE PARTS LIST				DATE :	
04 00504 001		S.9500ME PLS 24V						6.05.98	
REF. CODE KIT QTY	DESCRIPTION	DENOMINATION	BESCHREIBUNG	DESCRIPCION	DESCRIZIONE	TECHNICAL FEATURES	NOTES		
B 21196	4 BATTERY	BATTERIE	BATTERIE	PILETTA	BATTERIA	240 AH 6V TUB.	OPTIONAL ACC.		
D 14328	1 DIODE	DIODE	DIODE	DIODO	DIODO	2A 117V BY 205			
F 31183	2 FUSE	FUSIBLE	ABSCHMEL.HERUNG	FUSIBILE	FUSIBILE	2 A GRL.	F2, F3		
H 33431	1 LAMP	AMPOULE	LAMPE	LAMPARA	LAMPADA	24 V 21 W			
I 33679	3 SWITCH	INTERRUPTEUR	SCHALTER	INTERRUPTOR	INTERRUTTORE	IP52	1F, 1SF, SS		
M 31586	1 TRACTION MOTOR	MOTEUR TRACTION	TRAKTION MOTOR	MOTOR TRACCION	MOTORE TRAZIONE	CC MP 24V 1500W 2900RPM			
BL 34453	1 ELCC. CIRCUIT	CIRCUIT. ELCT.	ELEKTR. STROM.	CIRCUITO ELCT.	SCHEMA ELETTR.	LED L.ME 24V 2.V			
F1 32087	1 FUSE	FUSIBLE	ABSCHMEL.HERUNG	FUSIBILE	FUSIBILE	100 A			
F4 31185	1 FUSE	FUSIBLE	ABSCHMEL.HERUNG	FUSIBILE	FUSIBILE	3 A VL.			
F5 31150	1 FUSE	FUSIBLE	ABSCHMEL.HERUNG	FUSIBILE	FUSIBILE	15 A AZL.			
E1 12177	1 LAMP	AMPOULE	LAMPE	LAMPARA	LAMPADA	FLASH 24V 21W AR.	OPTIONAL ACC.		
IG 38416	1 SWITCH	INTERRUPTEUR	SCHALTER	INTERRUPTOR	INTERRUTTORE	SAD1 8328			
IR 38499	1 SWITCH	INTERRUPTEUR	SCHALTER	INTERRUPTOR	INTERRUTTORE	Y.300			
IS 32451	1 SWITCH	INTERRUPTEUR	SCHALTER	INTERRUPTOR	INTERRUTTORE	MYA			
KL 33430	1 KLAXON	KLAXON	HEPE	AVISADOR ACUST.	AVV. ACUSTICO	K100/Y 1A 24V			
RL 33538	1 CONTACTOR	TELEINTURTEUR	FERNSCHALTER	CONTACTOR	TELERUTTORE	NAC 10 T. 0 24V DC			
EF 37893	1 MOTOR	MOTEUR	MOTOR	MOTOR	MOTORE	MP56M 24V 90/120W IP44			
PKL 38417	1 SWITCH	INTERRUPTEUR	SCHALTER	INTERRUPTOR	INTERRUTTORE	D.15 T16.			
SLR 38032	1 TIMER	MINUTEUR	ZEITGEBER	TEMPORIZADOR	TEMPORIZZATORE	MYD/1 12- 24V CC	25.		

MTC 428 - 01.000 - 1/97

MTC 428 - 01.000 - 1/97

TABLE N° :		DESCRIPTION :		SPARE PARTS LIST				DATE :	
REF. CODE KIT QTY	DESCRIPTION	DENOMINATION	BESCHREIBUNG	DESCRIPCION	DESCRIZIONE	TECHNICAL FEATURES	NOTES		

MTC 428 - 01.000 - 1/97

MTC 428 - 01.000 - 1/97