



Electronic Service Manuals

This electronic document is provided as a service to our customers. We do not create the contents of the information contained in this document. Should you have detailed questions pertaining to the information contained in this document, you may contact Michco, or the manufacturer which provided the original information in this electronic deliverable. Michco's only part in this electronic deliverable was the electronic assembly process. By providing this manual on line we are not guaranteeing parts availability.

You may contact Michco through the following methods:

Phone (517) 484-9312 or (800) 331-3339

2011 N. High St. -- Lansing, Michigan -- 48906

Fax: (517) 484-9836

Email: CustServe@Michco.com

Web site: www.Michco.Com

Parts Web site: www.FloorMachineParts.Com

Order Parts on Line at:

www.FloorMachineParts.Com

Directly to Parts & Service:

By Email: **Shop@Michco.com**

By Fax: (517) 702-2041

By Voice: Use numbers above.

Serving the Cleaning Industry Since 1922

Notice: All copyrighted material remains property of original owners, all trademarks are property of respective owners. Manuals are subject to Manufacturer's reproduction limitations. Originals or reproductions were provided by manufacturers through a request. We make no warranty as to the correctness of information provided in this document and you assume all risk. By placing these manuals on line we are not declaring our corporation to be an manufacturer authorized dealer or provider, please check our web site for authorized manufacturers we represent.

Eagle Power™

Products Group

RHINO RIDER-SWEEPER SCRUBBER



ENTER 

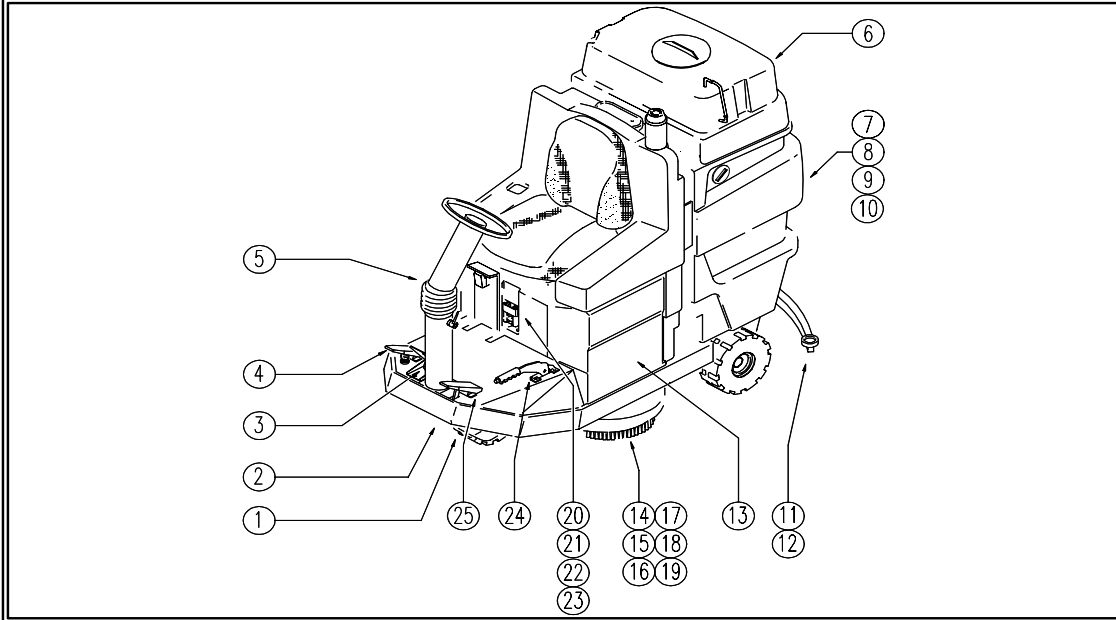
PARTS MANUAL



Click on icon to return to this page.

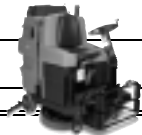
← Back 1 page

RHINO CODE: PF03046NTG-2 aa SN from 00E200

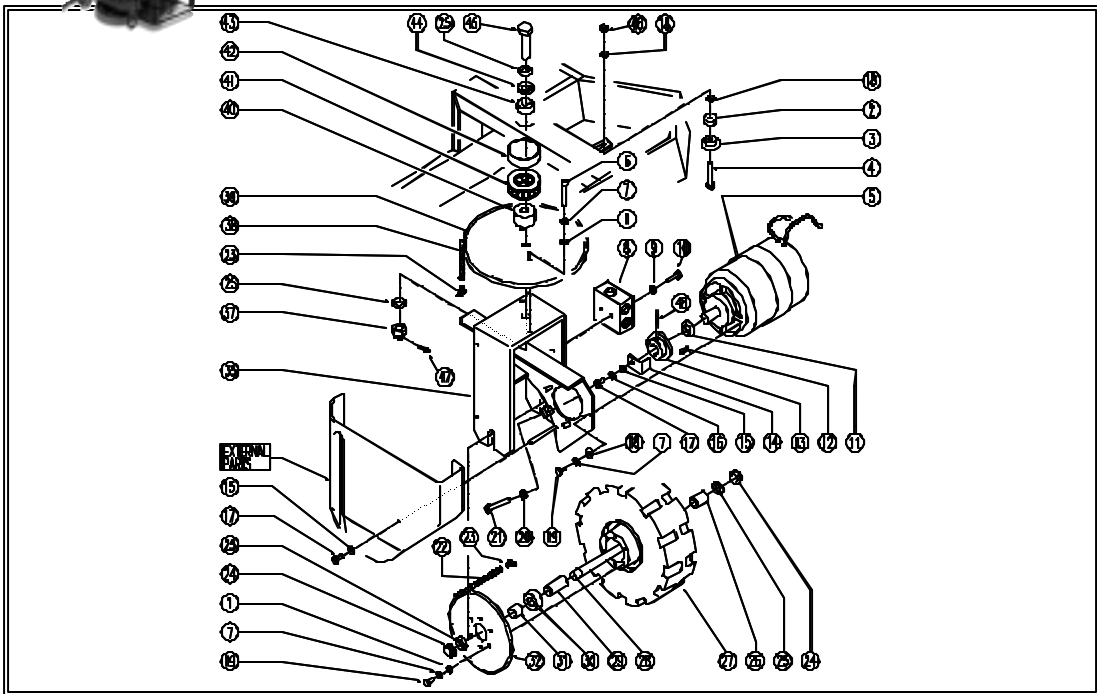


RHINO CODE: PF03046NTG-2 aa SN from 00E200

REF.	CODE	DESCRIPTION	QTY
1	PL1045	WHEEL	
2	PL1050	CHASSIS	
3	PL1052	PEDAL BRAKE	
4	PL1051	DRIVE	
5	PL1044	STEERING COLUMN	
6	PL1216	TANK	
7	PL1039	TANK-HYDRAULIC UNIT	
8	PL1040	TANK: SUCTION	
9	PL1041	TANK-ACCESSORIES	
10	PL1217	TANK-ACCESSORIES	
11	PL1070	SQUEEGEE 95	
12	PL1069	SQUEEGEE LIFT	
13	PL1058	BATTERY CASE	
14	PL1033	HEAD 95: MOTOR	
15	PL1381	HEAD 95:FLAP AND BOX	
16	PL1034	HEAD 95:PULLEY AXLE	
17	PL1048	FRONT HEAD LIFTING	
18	PL1047	REAR HEAD LIFTING	
19	PL1215	HEAD FASTENER	
20	PL1060	ELECTRIC UNIT 1	
21	PL1061	ELECTRIC UNIT 2	
22	PL1062	ELECTRIC UNIT 3	
23	PL1063	ELECTRIC UNIT 4	
24	PL1053	HAND BRAKE	
25	PL1066	SQUEEGEE PEDAL	
	PL1237	BRUSH	
	PL1277	EXTERNAL PARTS	
	WD27126-2	WIRING DIAGRAM	



RHINO CODE: pl1045 ab SN from 98D85



RHINO CODE: pl1045 ab SN from 98D85

REF.	CODE	DESCRIPTION	QTY
1	SL06003	WASHER	14
2	SL07451	SPACER	1
3	SL10057	CHAIN TIGHTENER	1
4	SL04164	SCREW	1
5	SL02112	GEARMOTOR	1
6	SL04192	SCREW	2
7	SL06002	WASHER	12
8	SL23468	ELECT. HOUSING	1
9	SL06019	WASHER	2
10	SL04079	SCREW	2
11	SL06066	WASHER	1
12	SL11110	TONGUE	1
13	SL10054	PINION	1
14	SL09706	PLATE	1
15	SL06004	WASHER	4
16	SL06001	WASHER	1
17	SL04190	SCREW	3
18	SL06017	WASHER	5
19	SL04023	SCREW	10
20	SL05004	NUT	1
21	SL04156	SCREW	1
22	SL16023	CHAIN	1
23	SL16027	GRID	2



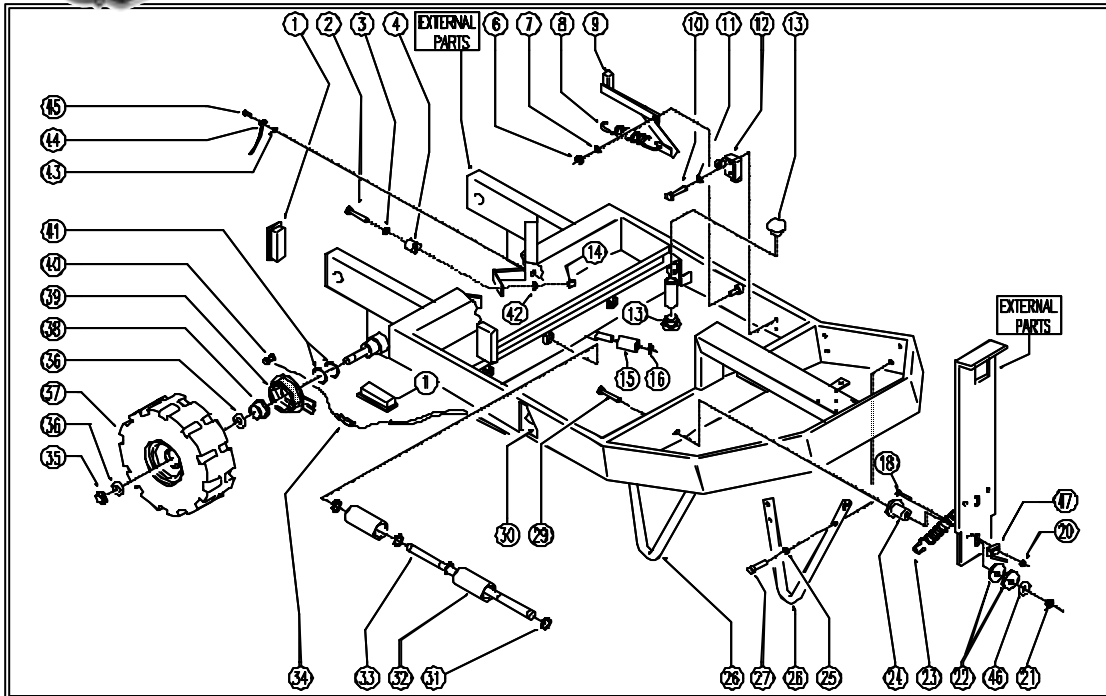
← Back 1 page

RHINO CODE: pl1045 ab SN from 98D85

REF.	CODE	DESCRIPTION	QTY
24	SL05052	NUT	2
25	SL06027	WASHER	4
26	SL07265	SPACER	1
27	SL08031	WHEEL	1
28	SL07263	PIN	1
29	SL07266	SPACER	1
30	SL12038	BEARING	1
31	SL07267	SPACER	1
32	SL10055	CROWN	1
35	SL09687	FORK	1
37	SL05079	NUT	1
38	SL16026	CHAIN	1
39	SL10034	CROWN	1
40	SL07096	SPACER	1
41	SL12014	BEARING	1
42	SL03461	GUARD	1
43	SL12015	BEARING	1
44	SL12021	RING	1
45	SL07450	SCREW	1
46	SL05001	NUT	1
47	SL11121	SPLIT PIN	1
48	SL11048	SPLIT PIN	1
-	SL07258	MOTOR DRUM	1



RHINO CODE: pl1050 ad from SN 00A001



RHINO CODE: pl1050 ad from SN 00A001

REF.	CODE	DESCRIPTION	QTY
1	SL14198	TERMINAL	4
2	SL04073	SCREW	2
3	SL06039	WASHER	2
4	SL03103	PLUG / STOPPER	2
6	SL05001	NUT	1
7	SL06003	WASHER	1
8	SL13011	SPRING	1
9	SL09698	LEVER	1
10	SL04107	SCREW	2
11	SL06019	WASHER	2
12	SL23200	MICROSWITCH	1
13	SL14217	PLUG	6
14	SL05011	NUT	2
15	SL07325	ROLLER	1
16	SL11021	SEEGER	1
18	SL04086	SCREW	2
20	SL05031	NUT	1
21	SL05039	NUT	1
22	SL06073	WASHER	2
23	SL13013	SPRING	2
24	SL07371	SPACER	1
25	SL06002	WASHER	8
26	SL39012	HOSE	2



← Back 1 page

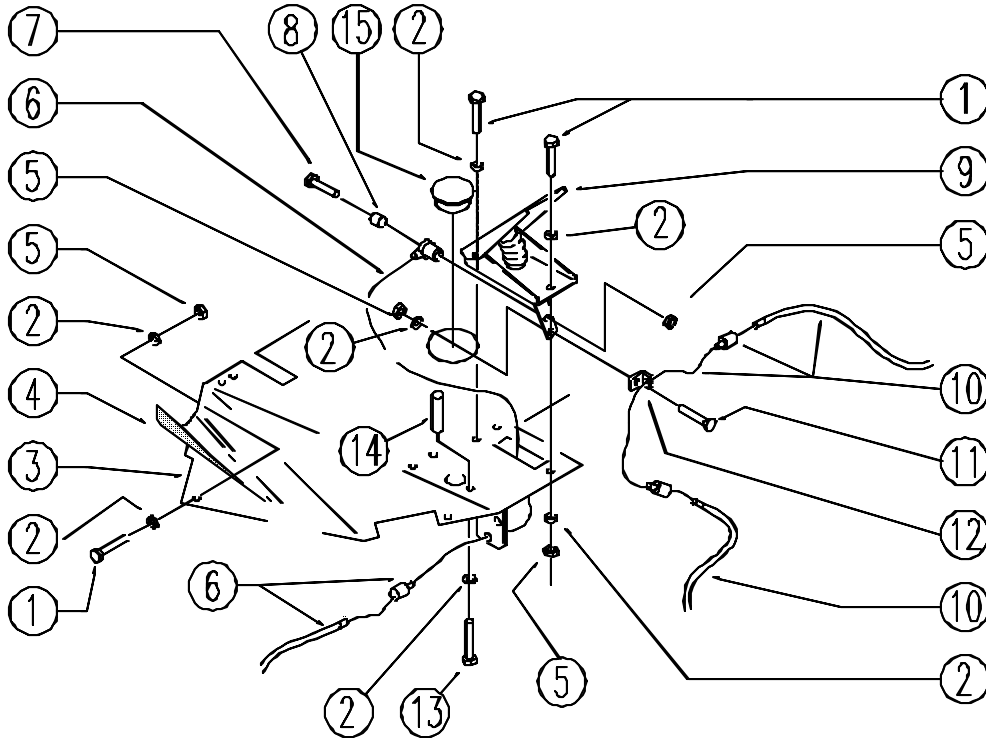
RHINO CODE: pl1050 ad from SN 00A001

REF.	CODE	DESCRIPTION	QTY
27	SL04264	SCREW	8
29	SL04143	SCREW	1
30	SL25602	LABEL	1
31	SL11100	SEEGER	16
32	SL07351	ROLLER	8
33	SL07300	PIN	4
34	SL14222	REGISTER	2
35	SL05052	NUT	2
36	SL06027	WASHER	4
37	SL08030	WHEEL	2
38	SL07275	BUSHING	2
39	SL14192	BLOCK	2
40	SL14031	CLAMP	2
41	SL06075	WASHER	4
42	SL06004	WASHER	2
43	SL06083	WASHER	1
44	SL23593	CABLE	1
45	SL04010	SCREW	1
46	SL06069	WASHER	1
47	SL23021	MICROSWITCH	1



← Back 1 page

RHINO CODE: pl1052 ac SN from 00E000



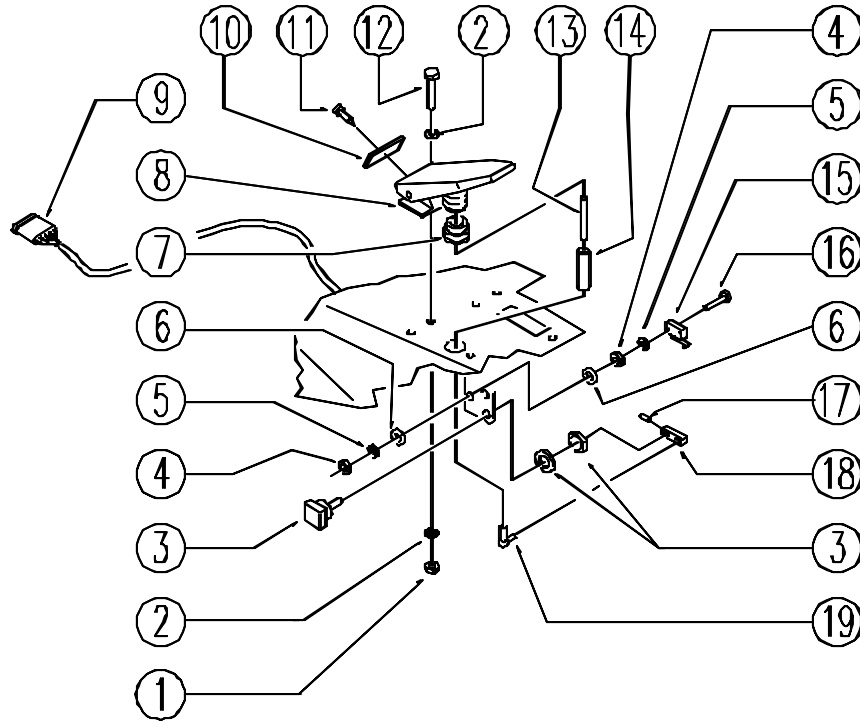
RHINO CODE: pl1052 ac SN from 00E000

REF.	CODE	DESCRIPTION	QTY
1	SL04048	SCREW	10
2	SL06004	WASHER	22
3	SL09824	FOOTBOARD	1
4	SL03242	COVERING / COATING	1
5	SL05011	NUT	12
6	SL14210	CABLE	1
7	SL04190	SCREW	1
8	SL07318	BUSHING	1
9	SL22011	TREADLE	1
10	SL14216	CABLE	1
11	SL04259	SCREW	1
12	SL09723	BLOCK / LOCK	1
13	SL04190	SCREW	1
14	SL07333	SPACER	1
15	SL14240	CAP	1



← Back 1 page

RHINO CODE: pl1051aa SN from 96D673



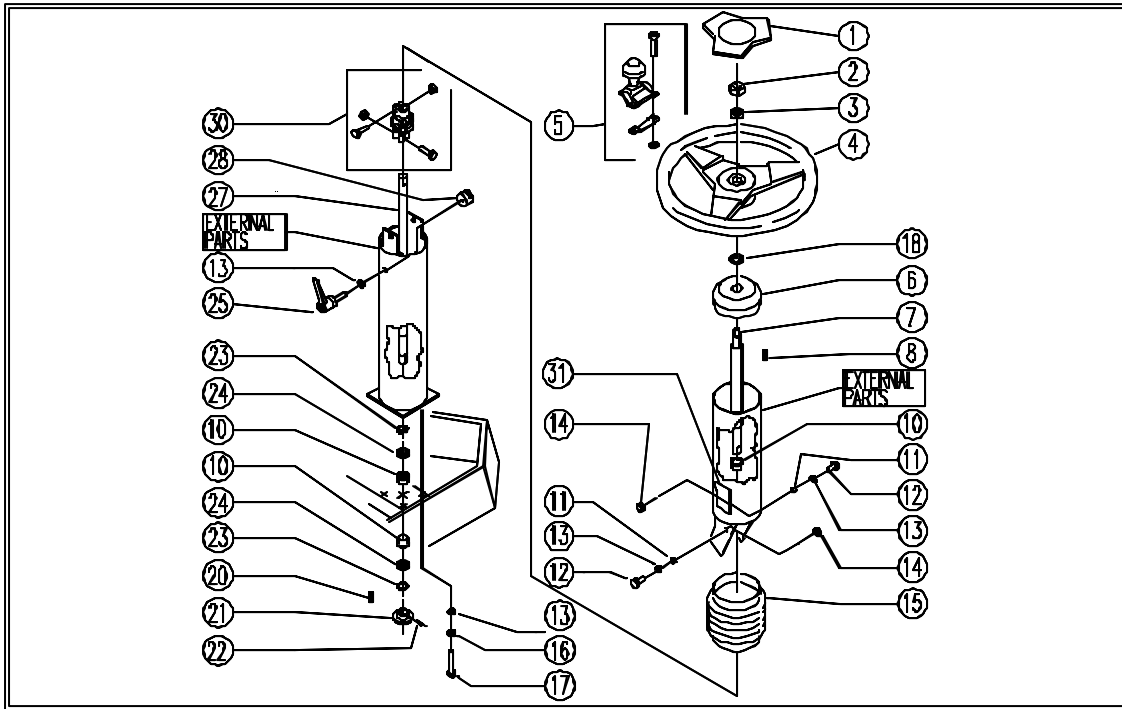
RHINO CODE: pl1051aa SN from 96D673

REF.	CODE	DESCRIPTION	QTY
1	SL05011	NUT	2
2	SL06004	WASHER	4
3	SL23124	POTENTIOMETER	1
4	SL05009	NUT	4
5	SL06024	WASHER	4
6	SL06019	WASHER	4
7	SL07269	BUSHING	1
8	SL22012	TREADLE	1
9	SL23928	WIRING	1
10	SL17453	SPACER	1
11	SL04173	SCREW	1
12	SL04048	SCREW	2
13	SL04250	BAR	1
14	SL07334	SPACER	1
15	SL23021	MICROSWITCH	1
16	SL04016	SCREW	2
17	SL11023	SPLIT PIN	1
18	SL09505	LEVER	1
19	SL22005	ARTICULATION	1



← Back 1 page

RHINO CODE: pl1044 aa SN from 96D673



RHINO CODE: pl1044 aa SN from 96D673

REF.	CODE	DESCRIPTION	QTY
1	SL14194	CAP	1
2	SL05037	NUT	1
3	SL06029	WASHER	1
4	SL14195	STEERING WHEEL	1
5	SL14211	HANDLE	1
6	SL07268	CAP	1
7	SL07260	SHAFT	1
8	SL11010	KEY	1
10	SL12037	BEARING	3
11	SL07062	SPACER	2
12	SL04023	SCREW	2
13	SL06003	WASHER	7
14	SL05001	NUT	2
15	SL03230	PROTECTIVE COVER	1
16	SL06002	WASHER	4
17	SL04156	SCREW	4
18	SL06096	WASHER	1
20	SL11026	TONGUE	1
21	SL10056	PINION	1
22	SL11048	GRAIN	1
23	SL11094	RING	2
24	SL06074	WASHER	2

Next page →

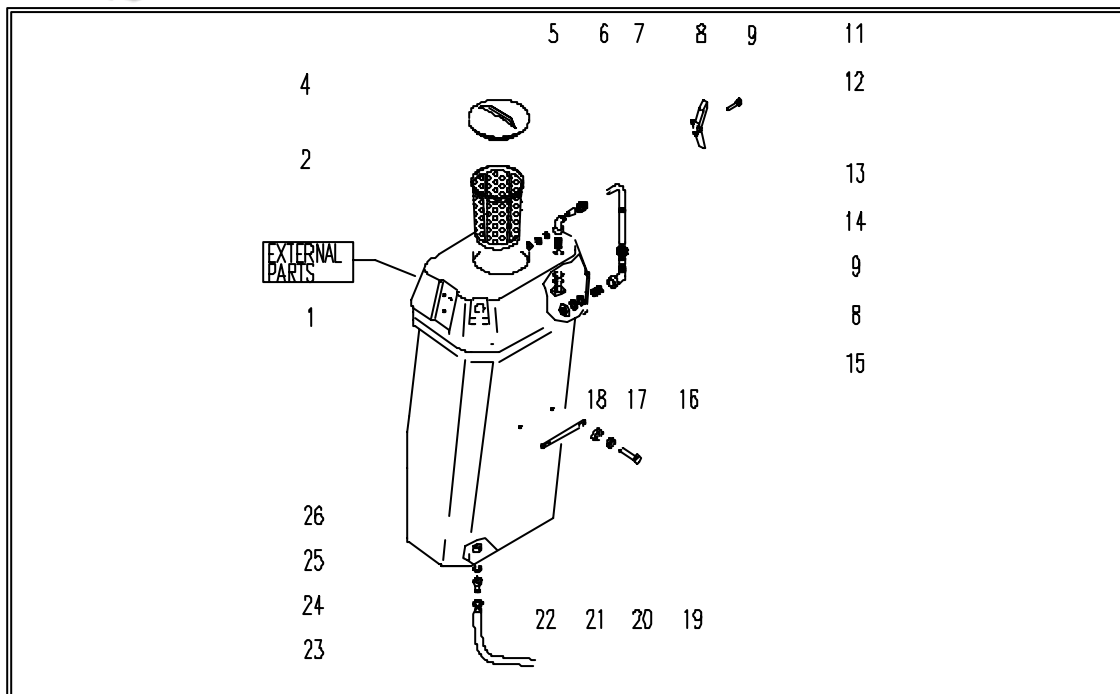


← Back 1 page

RHINO CODE: pl1044 aa SN from 96D673			
REF.	CODE	DESCRIPTION	QTY
25	SL20044	LEVER	1
27	SL07259	SHAFT	1
28	SL07270	BLOCK / LOCK	1
30	SL12023	JOINT	1
31	SL25559	LABEL	1



RHINO CODE: pl1216 ad SN from 00J100



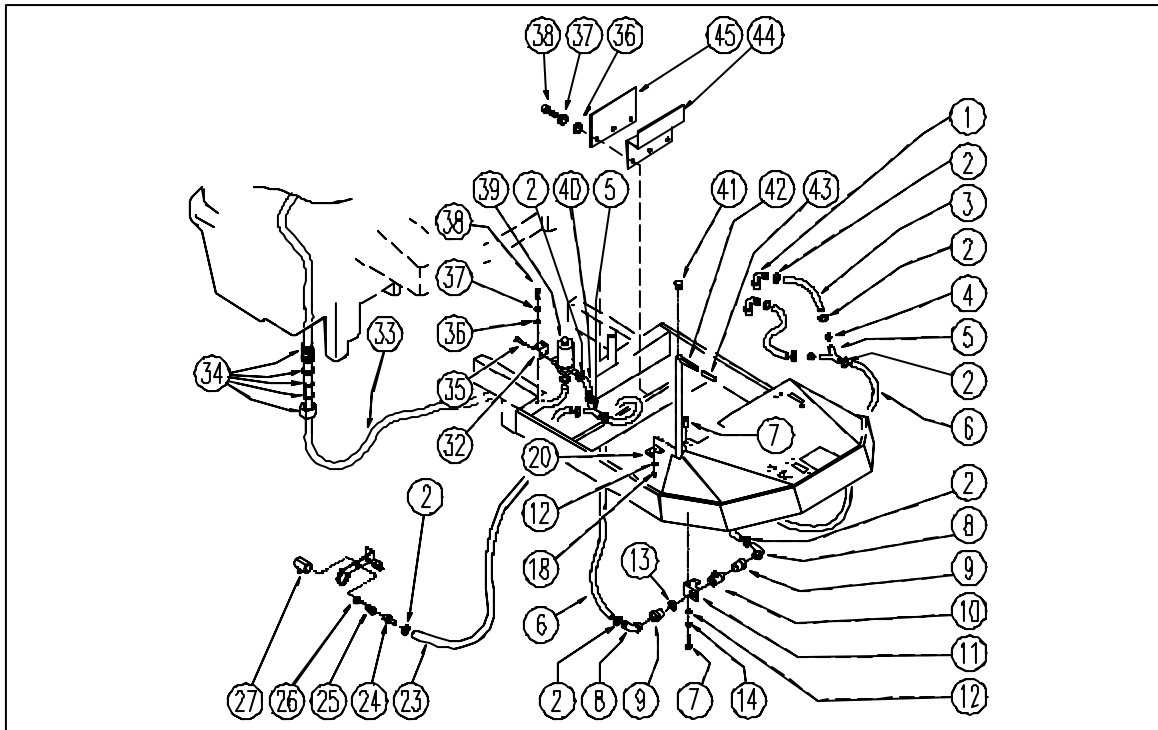
RHINO CODE: pl1216 ad SN from 00J100

REF.	CODE	DESCRIPTION	QT
1	SL03417	GASKET	1
2	SL18352	FILTER	1
4	SL17468	LID	1
5	SL05016	NUT	6
6	SL06038	WASHER	6
7	SL03116	GASKET	6
8	SL18392	UNION / CONNECTOR	2
9	SL19323	HOSE	2
11	SL14328	LOCK	2
12	SL04244	SCREW	6
13	SL19324	HOSE	1
14	SL14347	SPHERE / BALL	1
15	SL18391	NIPPLE	2
16	SL03400	GASKET	2
17	SL06089	WASHER	2
18	SL18093	NUT	2
19	SL04055	SCREW	2
20	SL06038	WASHER	2
21	SL07394	BUSHING / BUSH	2
22	SL17529	HANDLE	1
23	SL14036	CLAMP	1
24	SL07518	UNION / CONNECTOR	1
25	SL03400	GASKET	1
26	SL18093	NUT	6



← Back 1 page

RHINO CODE: pl1039 ad SN from 00G100



RHINO CODE: pl1039 ad SN from 00G100

REF.	CODE	DESCRIPTION	QTY
1	SL18232	UNION / CONNECTOR	2
2	SL14036	CLAMP	13
3	SL19283	HOSE	2
4	SL07375	UNION / CONNECTOR	2
5	SL18367	CONNECTOR	2
6	SL19284	HOSE	2
7	SL04048	SCREW	4
8	SL18341	UNION / CONNECTOR	2
9	SL18109	REDUCTION	2
10	SL18384	TAP	1
11	SL09958	SUPPORT	1
12	SL06004	WASHER	4
13	SL06061	WASHER	1
14	SL06001	WASHER	2
18	SL05041	NUT	2
20	SL09959	BLOCK / LOCK	1
23	SL19328	HOSE	1
24	SL18383	UNION / CONNECTOR	1
25	SL18109	REDUCTION	1
26	SL06061	WASHER	1
27	SL18380	TAP	1
32	SL09961	SUPPORT	1

Next page →



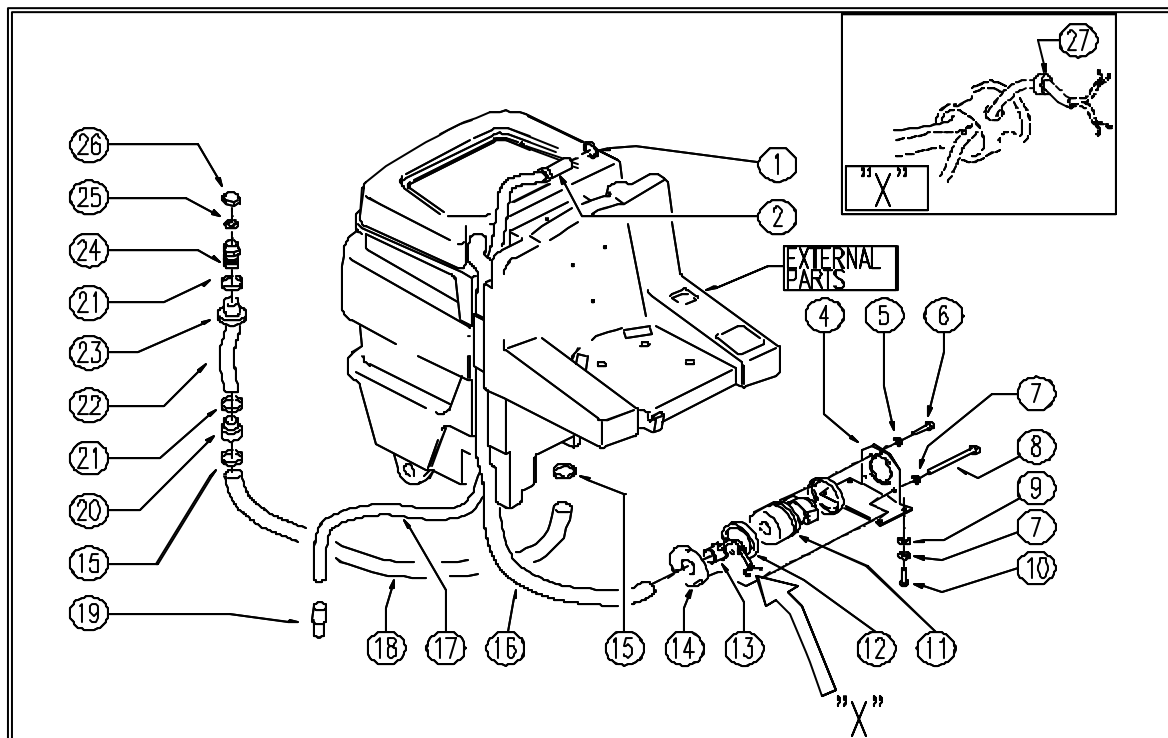
← Back 1 page

RHINO CODE: pl1039 ad SN from 00G100			
REF.	CODE	DESCRIPTION	QTY
33	SL19322	HOSE	1
34	GR18390	UNION / CONNECTOR	1
35	SL04101	SCREW	2
36	SL06019	WASHER	5
37	SL06021	WASHER	5
38	SL04065	SCREW	5
39	SL02128	PUMP	1
40	SL19289	HOSE	1
41	SL14242	CAP	1
42	SL09960	LEVER	1
43	SL20021	HANDGRIP	1
44	SL39054	PLATE	1
45	SL39055	PLATE	1



Back 1 page

RHINO CODE: pl1040 ae SN from 00E200



RHINO CODE: pl1040 ae SN from 00E200

REF.	CODE	DESCRIPTION	QTY
1	SL03201	GASKET	1
2	SL17362	SLEEVE	1
4	SL09684	SUPPORT	1
5	SL06004	WASHER	4
6	SL04223	SCREW	4
7	SL06001	WASHER	7
8	SL04247	SCREW	3
9	SL06015	WASHER	4
10	SL04190	SCREW	4
11	SL02303-Q	ASPIRATOR	1
12	SL03159	GASKET	2
13	SL17565	CONNECTOR	1
14	SL09685	FLANGE	1
15	SL14214	CLAMP	2
16	SL19216	HOSE	1
17	SL19293	HOSE	1
18	SL19208	HOSE	1
19	SL14003	SLEEVE	1
20	SL07285	CONNECTOR	1
21	SL14079	CLAMP	2
22	SL19215	SHEATH	1
23	SL07286	ADAPTOR	1

Next page

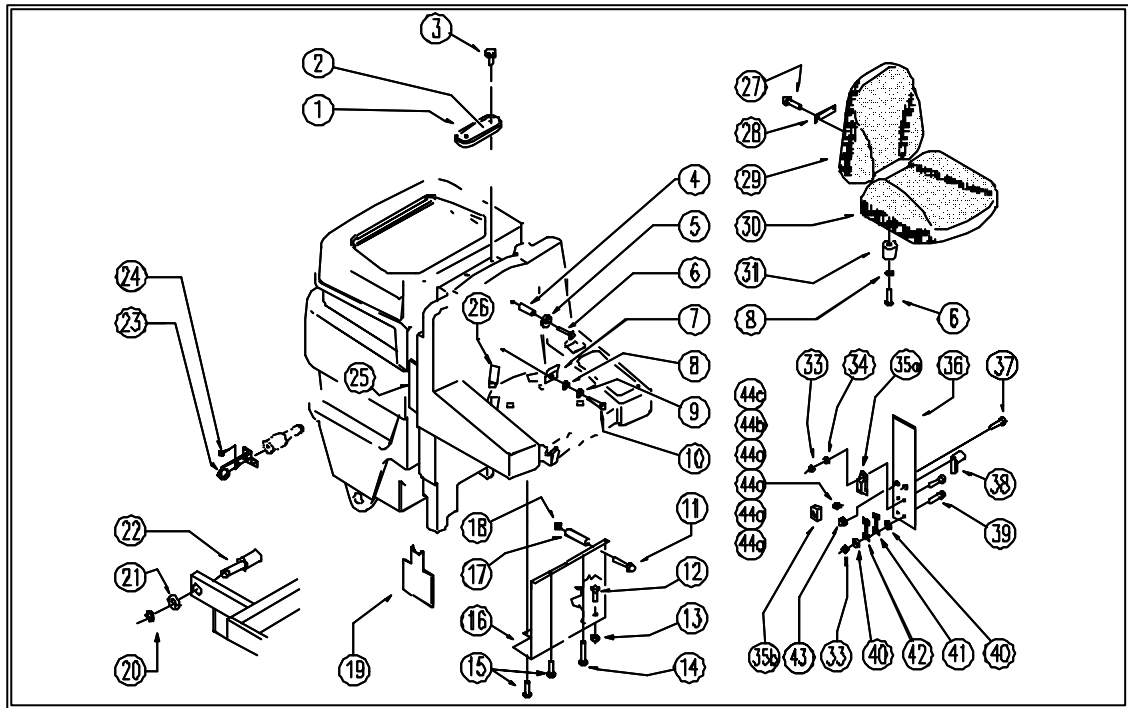


← Back 1 page

RHINO CODE: pl1040 ae SN from 00E200			
REF.	CODE	DESCRIPTION	QTY
24	SL18362	HOSE HOLDER	1
25	SL03469	GASKET	1
26	SL18363	CAP	1
27	SL23044	FAIRLEAD	1



RHINO CODE: p11041 af SN from 00E200



RHINO CODE: p11041 af SN from 00E200

REF.	CODE	DESCRIPTION	QTY
1	SL03275	GASKET	1
2	SL17379	LID	1
3	SL20055	HANDWHEEL	2
4	SL07293	SPACER	2
5	SL06015	WASHER	2
6	SL04009	SCREW	6
7	SL09540	PLATE	1
8	SL06004	WASHER	4
9	SL06001	WASHER	1
10	SL04180	SCREW	1
11	SL04196	SCREW	1
12	SL04252	SCREW	1
13	SL05039	NUT	1
14	SL04223	SCREW	2
15	SL04173	SCREW	7
16	SL09694	PLATE	1
17	SL07337	SPACER	1
18	SL05011	NUT	1
19	SL17499-2	PANEL	1
20	SL11108	RING	2
21	SL06080	WASHER	2
22	SL07301	PIN	2
23	SL09962	SUPPORT	1



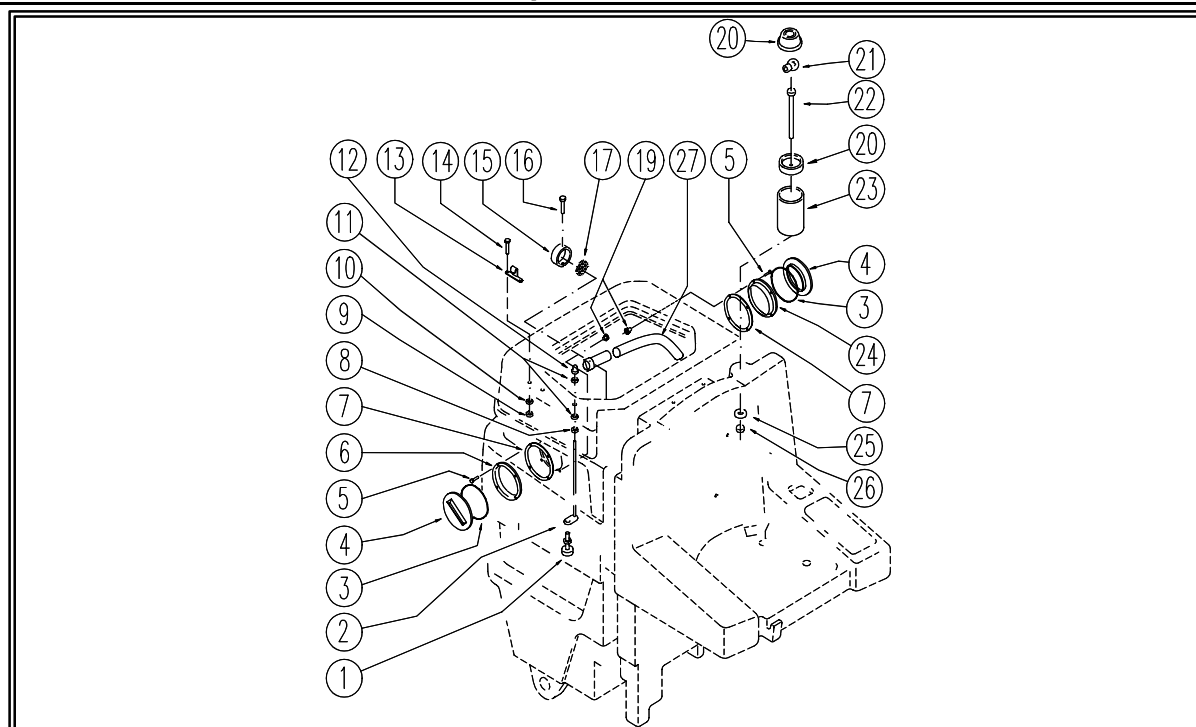
← Back 1 page

RHINO CODE: p11041 af SN from 00E200			
REF.	CODE	DESCRIPTION	QTY
24	SL04294	SCREW	1
25	SL17395	REINFORCEMENT	1
26	SL14199	TERMINAL	2
27	SL04259	SCREW	1
28	SL09705	PLATE	1
29	SL14191-PL	SEAT BACK	1
30	SL14190-PL	SEAT	1
31	SL03103	PLUG/STOPPER	4
33	SL05012	NUT	4
34	SL06034	WASHER	2
36	SL09901	LID	1
37	SL04161	SCREW	1
38	SL20045	CATCH/LOCK	1
39	SL04065	SCREW	4
40	SL06031	WASHER	4
41	SL23869	FUSE	1
42	SL23606	FUSE	1
43	SL05041	NUT	1
35a	SL23894-1	FUSE-HOLDERS	1
35b	SL23893-2	LID	1
44a	SL23144	FUSE	4
44b	SL23147	FUSE	1
44c	SL23145	FUSE	1



← Back 1 page

RHINO CODE: pl1217 ad SN from 01L156



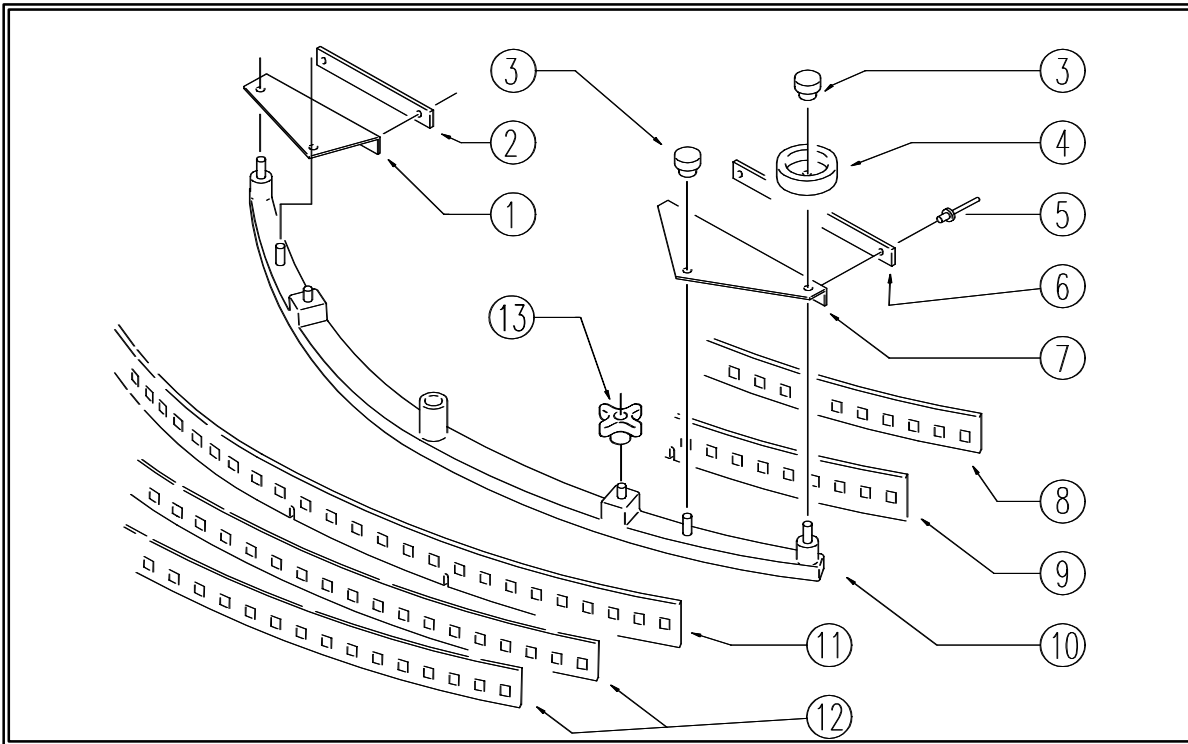
RHINO CODE: pl1217 ad SN from 01L156

REF.	CODE	DESCRIPTION	QTY
1	SL23798	FLOAT	1
2	SL09881	ROD	1
3	SL03530	GASKET	2
4	SL14324	CAP	2
5	SL04399	SCREW	8
6	SL14345	NUT	1
7	SL03529	GASKET	2
8	SL05016	NUT	1
9	SL05011	NUT	4
10	SL06004	WASHER	4
11	SL06038	WASHER	2
12	SL05057	NUT	1
13	SL09880	BRACKET	2
14	SL04194	SCREW	4
15	SL07449	SUPPORT	1
16	SL04094	SCREW	1
17	SL18252	FILTER	1
19	SL05055	NUT	8
20	SL23464	FLASH-LIGHT	1
21	SL23464-2	LAMP	1
22	SL04381	SCREW	1
23	SL07517	SPACER	1
24	SL14325	NUT	1
25	SL06071	WASHER	1
26	SL05041	NUT	1
27	SL19083	HOSE	1



← Back 1 page

RHINO CODE: p11070 ac SN from 00E001



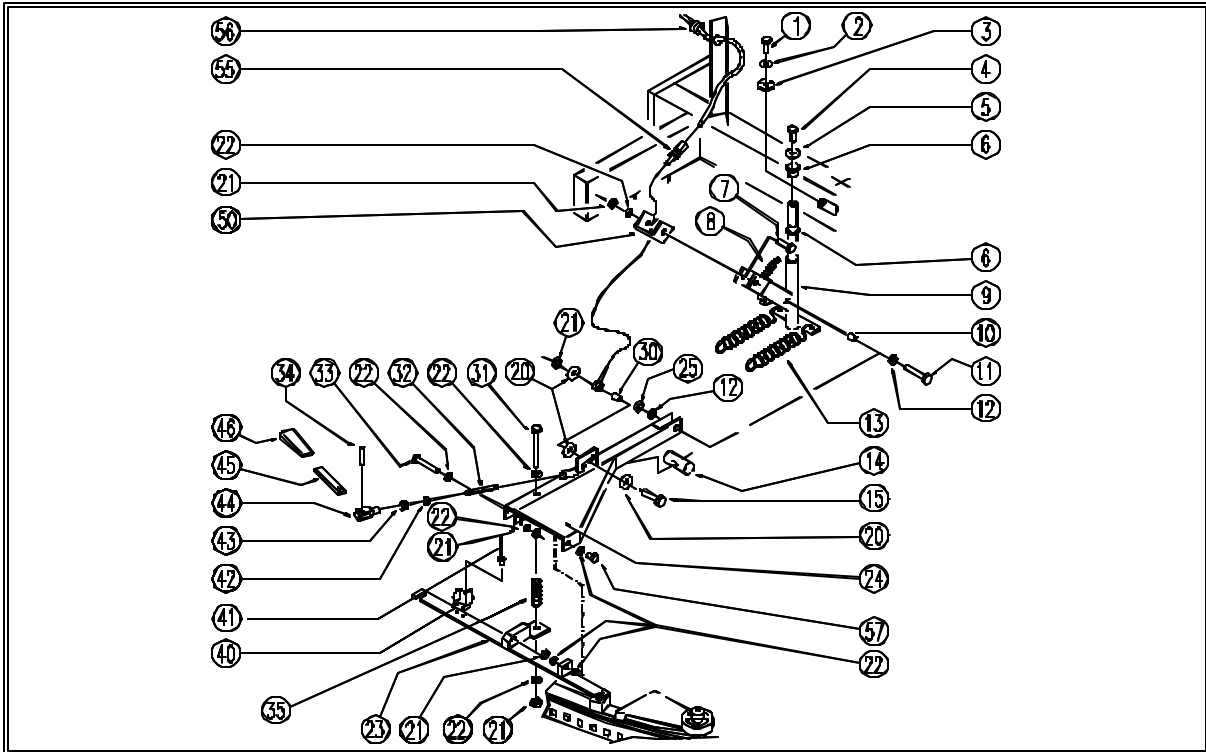
RHINO CODE: p11070 ac SN from 00E001

REF.	CODE	DESCRIPTION	QTY
1	SL09733	BUMPER	1
2	SL03286	STRIP / BAND	1
3	SL20018	HANDLE	4
4	SL08016	WHEEL	2
5	SL14238	TEAR RIVET	4
6	SL03287	STRIP / BAND	1
7	SL09765	BUMPER	1
8	SL03289	BLADE	1
9	SL03257	BLADE	1
10	SL01024	BODY	1
11	SL03488	BLADE	1
12	SL03279	BLADE	2
13	SL20004	HANDLE	2



← Back 1 page

RHINO CODE: pl1069 af SN from 00G001



RHINO CODE: pl1069 af SN from 00G001

REF.	CODE	DESCRIPTION	QTY
1	SL04180	SCREW	1
2	SL06039	WASHER	1
3	SL06092	WASHER	1
4	SL04010	SCREW	1
5	SL06069	WASHER	1
6	SL12035	BEARING	2
7	SL04004	SCREW	2
8	SL13016	SPRING	1
9	SL09789	BRACKET	1
10	SL12036	BEARING	2
11	SL04312	SCREW	1
12	SL06011	WASHER	2
13	SL13065	SPRING	2
14	SL09537	HOOING	1
15	SL04127	SCREW	1
20	SL06025	WASHER	3
21	SL05039	NUT	5
22	SL06041	WASHER	8
23	SL09753	BRACKET	1
24	SL09657	LEVER	1
25	SL05032	NUT	1
30	SL07493	SPACER	1

Next page →



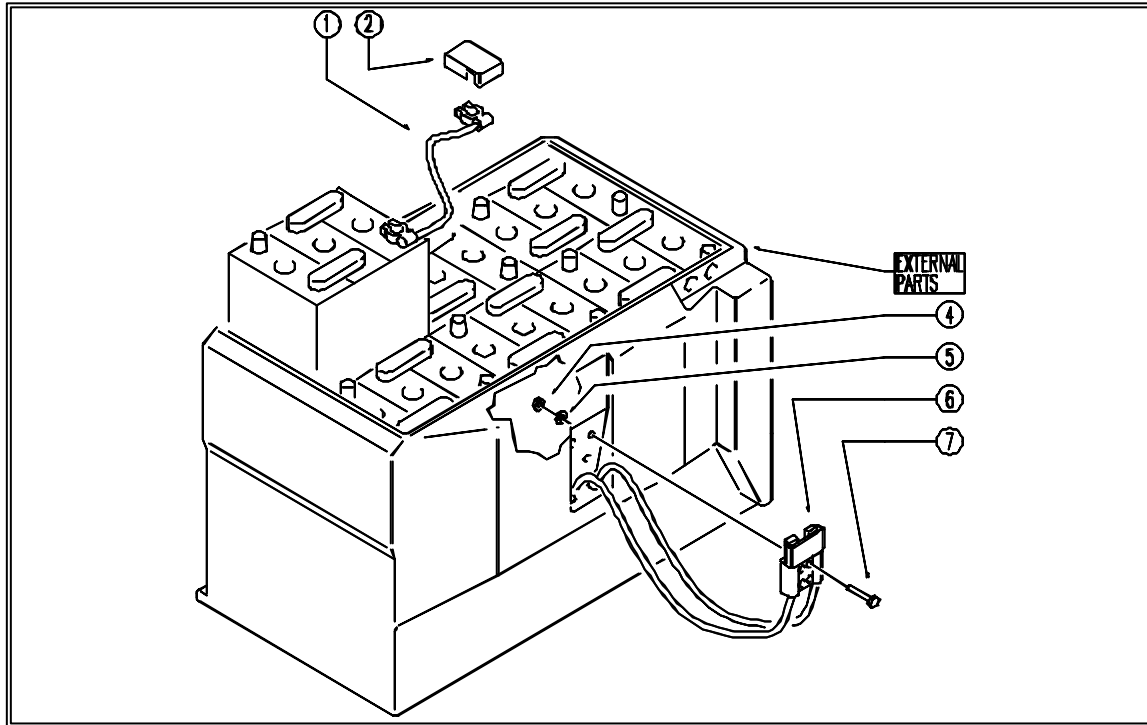
← Back 1 page

RHINO CODE: pl1069 af SN from 00G001			
REF.	CODE	DESCRIPTION	QTY
31	SL04248	SCREW	1
32	SL04251	BAR	1
33	SL04164	SCREW	1
34	SL11053	PIN	1
35	SL13083	SPRING	1
40	SL13014	CLIP	1
41	SL14006	TEAR RIVET	2
42	SL06018	WASHER	1
43	SL05004	NUT	1
44	SL22001	FORK	1
45	SL09721	LEVER	1
46	SL20021	HANDLE	1
50	SL09737	SUPPORT	1
55	SL14222	REGISTER	1
56	SL23050	FAIRLEAD	1
57	SL04075	SCREW	1



← Back 1 page

RHINO CODE: pl1058 aa SN from 96D673



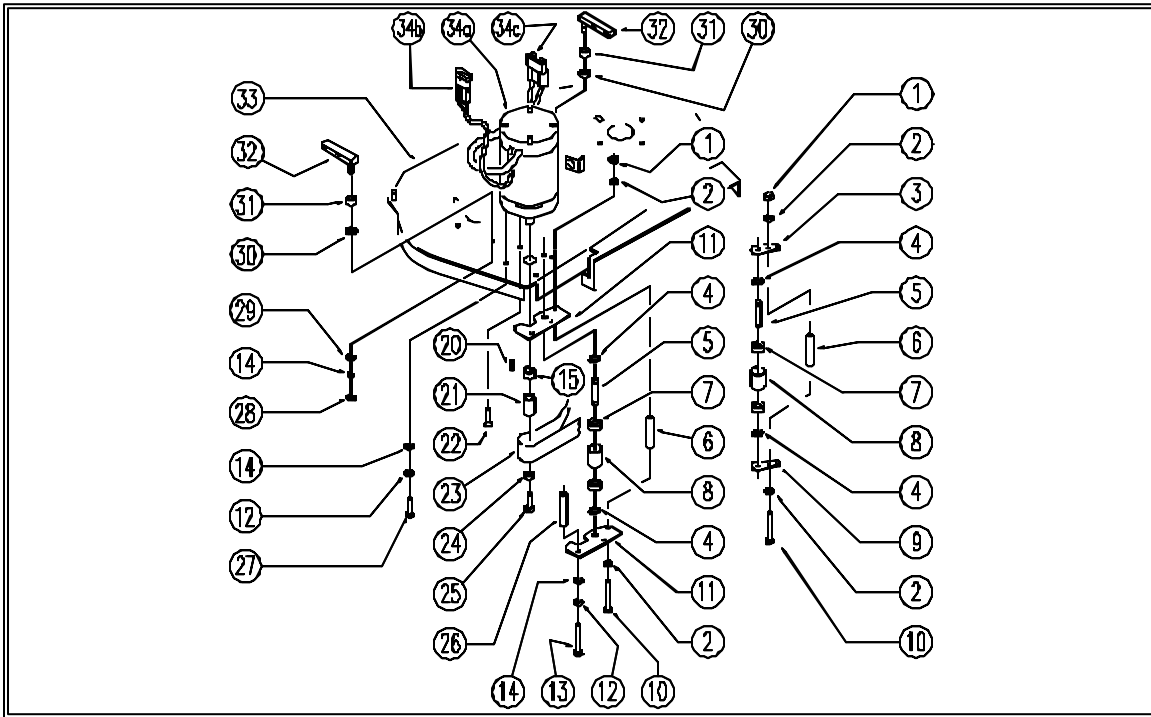
RHINO CODE: pl1058 aa SN from 96D673

REF.	CODE	DESCRIPTION	QTY
1	SL23940	BRIDGE / JUMPER	5
2	SL23055	LID	12
4	SL05011	NUT	4
5	SL06004	WASHER	4
6	SL23926	WIRING	1
7	SL04009	SCREW	4



← Back 1 page

RHINO CODE: pl1033 aa SN from 98A100



RHINO CODE: pl1033 aa SN from 98A100

REF.	CODE	DESCRIPTION	QTY
1	SL05011	NUT	3
2	SL06004	WASHER	6
3	SL09855	PLATE	1
4	SL11095	RING	4
5	SL11041	PIN	2
6	SL07143	SPACER	3
7	SL12003	BEARING	4
8	SL10045	PULLEY	2
9	SL09854	PLATE	1
10	SL04326	SCREW	3
11	SL09622	PLATE	2
12	SL06002	WASHER	3
13	SL04049	SCREW	2
14	SL06003	WASHER	5
15	SL10068	SPACER	1
20	SL11010	TONGUE	1
21	SL07222	PULLEY	1
22	SL04283	SCREW	1
23	SL16029	BELT	1
24	SL07166	WASHER	1
25	SL04096	SCREW	1
26	SL07234	SPACER	2

Next page →



← Back 1 page

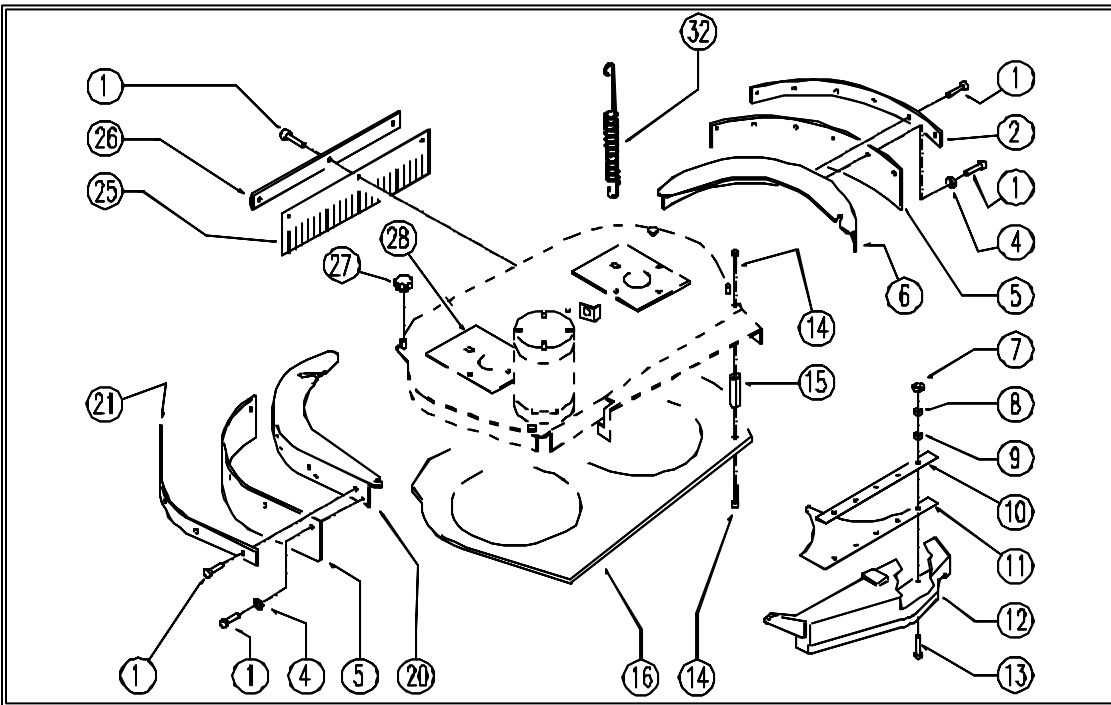
RHINO CODE: pl1033 aa SN from 98A100

REF.	CODE	DESCRIPTION	QTY
27	SL04083	SCREW	1
28	SL05001	NUT	2
29	SL06064	WASHER	2
30	SL06062	WASHER	2
31	SL03209	RUBBER	2
32	SL09629	BRACKET	2
33	SL09884	PLATE	1
34a	SL02113	MOTOR	1
34b	SL23527	CONNECTOR	1
34c	SL23010	CONNECTOR	1
34d	SL02113-1	MOTOR COAL	2



← Back 1 page

RHINO CODE: pl1381 ab SN from 00A101



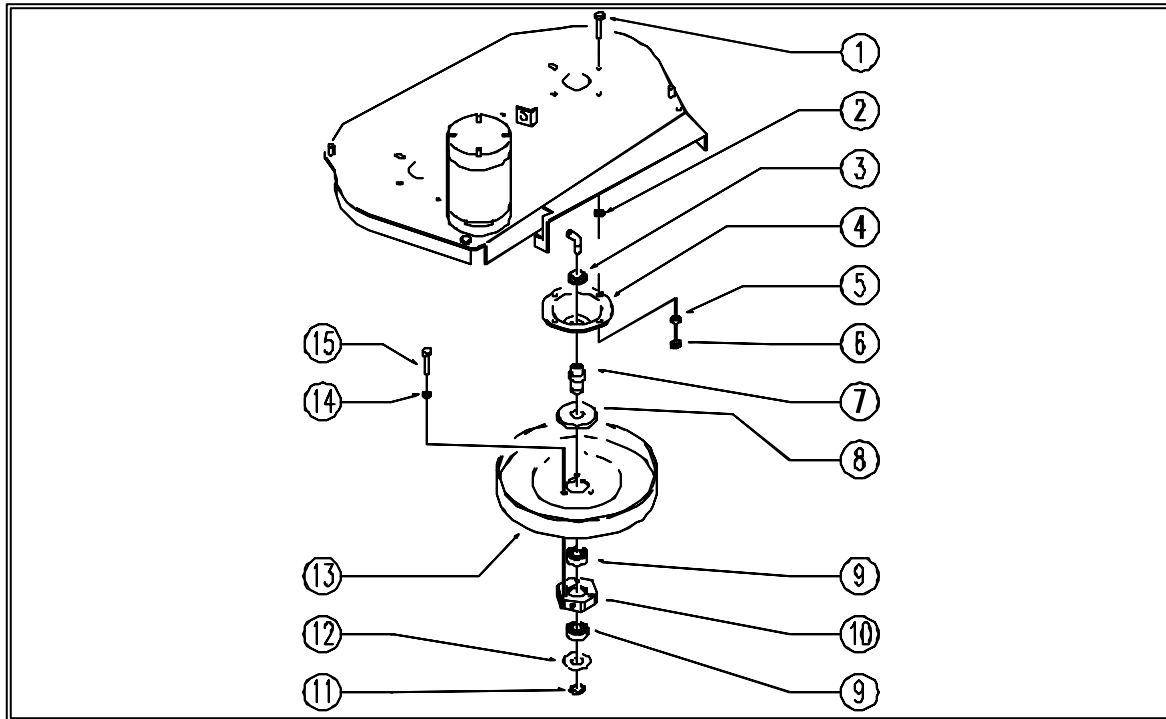
RHINO CODE: pl1381 ab SN from 00A101

REF.	CODE	DESCRIPTION	QTY
1	SL04065	SCREW	23
2	SL03423	FLAP PRESS	1
4	SL06031	WASHER	10
5	SL03422	FLAP	2
6	SL09883	COVER	1
7	SL05044	NUT	5
8	SL06033	WASHER	5
9	SL06032	WASHER	5
10	SL21133	LAMINATION	1
11	SL17375	DUSTPAN	1
12	SL17330	CASE	1
13	SL04364	SCREW	5
14	SL04006	SCREW	14
15	SL14205	SPACER	7
16	SL03425	GUARD	1
20	SL09882	COVER	1
21	SL03421	FLAP PRESS	1
25	SL03424	FLAP	1
26	SL03426	FLAP PRESS	1
27	MP06100	HANDLE	2
28	SL03291	GASKET	2
32	SL13064	SPRING	1



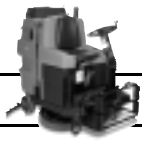
← Back 1 page

RHINO CODE: pl1034 aa SN from 98A100



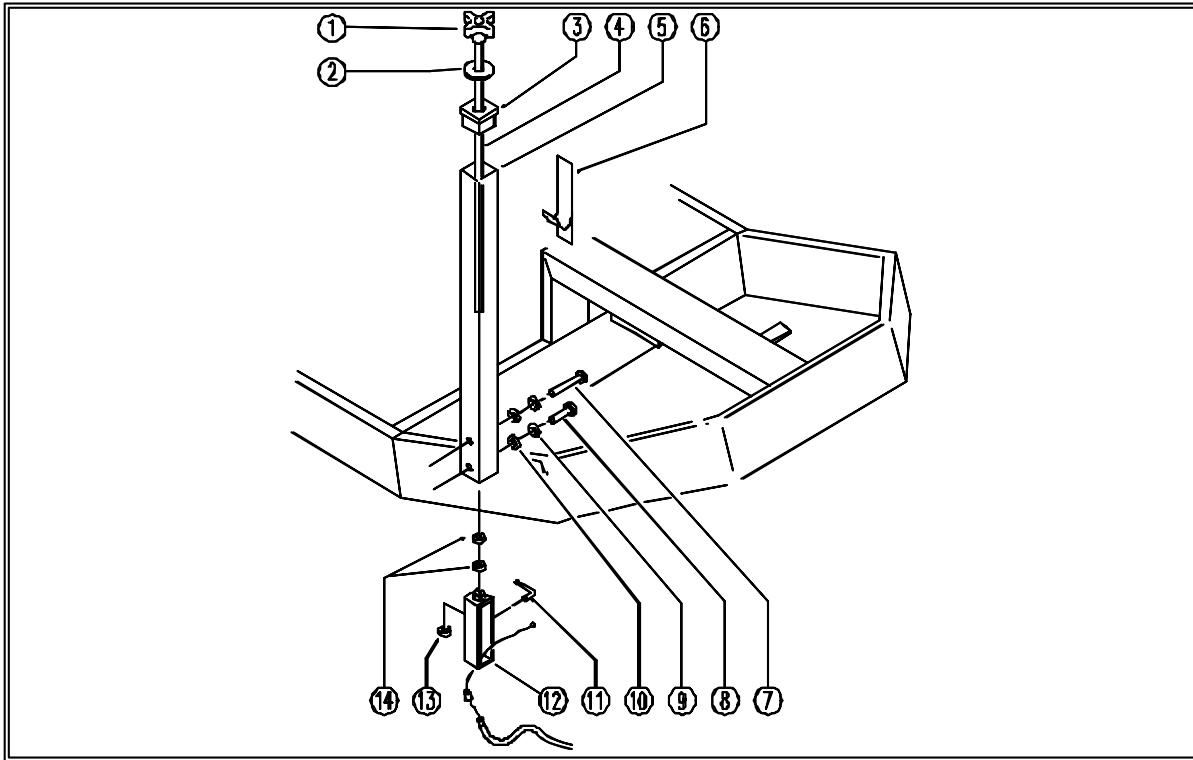
RHINO CODE: pl1034 aa SN from 98A100

REF.	CODE	DESCRIPTION	QTY
1	SL04271	SCREW	8
2	SL06011	WASHER	8
3	SL05049	NUT	2
4	SL15023	FLANGE	2
5	SL06003	WASHER	8
6	SL05001	NUT	8
7	SL07278	PIN	2
8	SL03259	GUARD	2
9	SL12025	BEARING	4
10	SL14204	HEXAGON	2
11	SL11096	RING	2
12	SL03247	GUARD	2
13	SL10053	PULLEY	2
14	SL06004	WASHER	6
15	SL04119	SCREW	6



← Back 1 page

RHINO CODE: pl1048 aa SN from 96D673



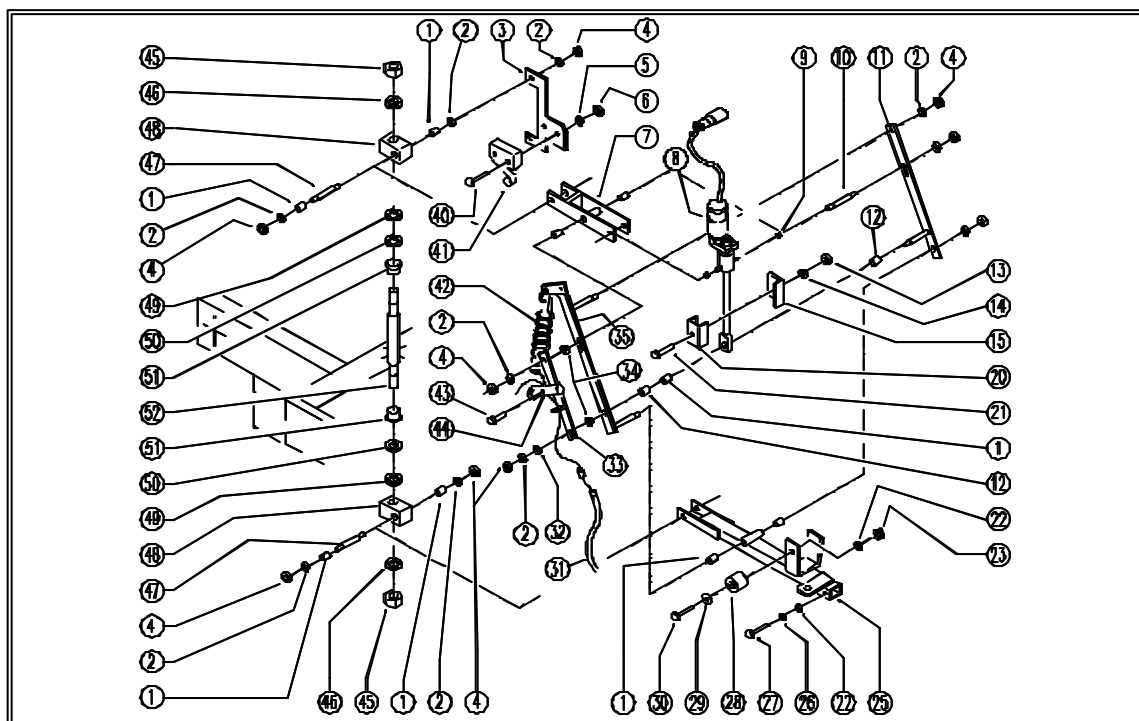
RHINO CODE: pl1048 aa SN from 96D673

REF.	CODE	DESCRIPTION	QTY
1	SL20004	HANDLE	1
2	SL06081	WASHER	1
3	SL14308	CAP	1
4	SL04287	BAR	1
5	SL09746	STRUCTURAL	1
6	SL25903	ADESIVE LABEL	1
7	SL04019	SCREW	1
8	SL04023	SCREW	1
9	SL06002	WASHER	2
10	SL06003	WASHER	2
11	SL07316	INDICATOR	1
12	SL09747	PLATE	1
13	SL05001	NUT	1
14	SL05004	NUT	2



← Back 1 page

RHINO CODE: pl1047 ac SN from 97F758



RHINO CODE: pl1047 ac SN from 97F758

REF.	CODE	DESCRIPTION	QTY
1	SL12036	BEARING	9
2	SL06003	WASHER	10
3	SL09852	SUPPORT	1
4	SL05039	NUT	10
5	SL06019	WASHER	2
6	SL05034	NUT	2
7	SL09520	LEVER	1
8	SL02111-1	ACTUATOR	1
9	SL12040	BEARING	2
10	SL07312	PIN	1
11	SL09736	LEVER	1
12	SL07297	SPACER	2
13	SL05007	NUT	1
14	SL06016	WASHER	1
15	SL09734	SUPPORT	1
20	SL09743	SPACER	1
21	SL04013	SCREW	1
22	SL06004	WASHER	3
23	SL05058	NUT	1
25	SL09519	LEVER	1
26	SL06001	WASHER	2
27	SL04048	SCREW	2

Next page →



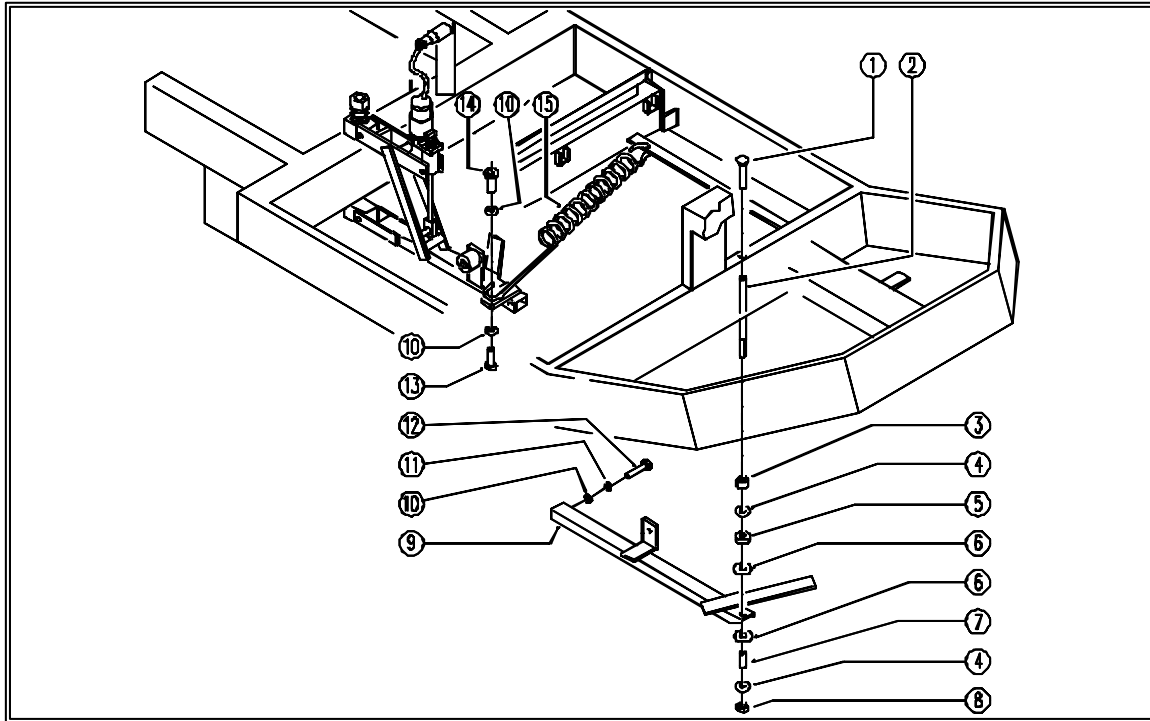
← Back 1 page

RHINO CODE: pl1047 ac SN from 97F758			
REF.	CODE	DESCRIPTION	QTY
28	SL03103	CAP	1
29	SL06039	WASHER	1
30	SL04073	SCREW	1
31	SL14225	CABLE	1
32	SL06064	WASHER	1
33	SL09749	PLATE	1
34	SL06062	WASHER	2
35	SL09735	PLATE	1
40	SL04107	SCREW	2
41	SL23200	MICROSWITCH	1
42	SL13078	SPRING	2
43	SL04180	SCREW	1
44	SL07314	PIN	1
45	SL05037	NUT	2
46	SL06029	WASHER	2
47	SL07272	PIN	2
48	SL07274	BLOCK / LOCK	2
49	SL06027	WASHER	2
50	SL06074	WASHER	2
51	SL12037	BUSHING	2
52	SL07273	PIN	1



← Back 1 page

RHINO CODE: pl1215 aa SN from 96D673



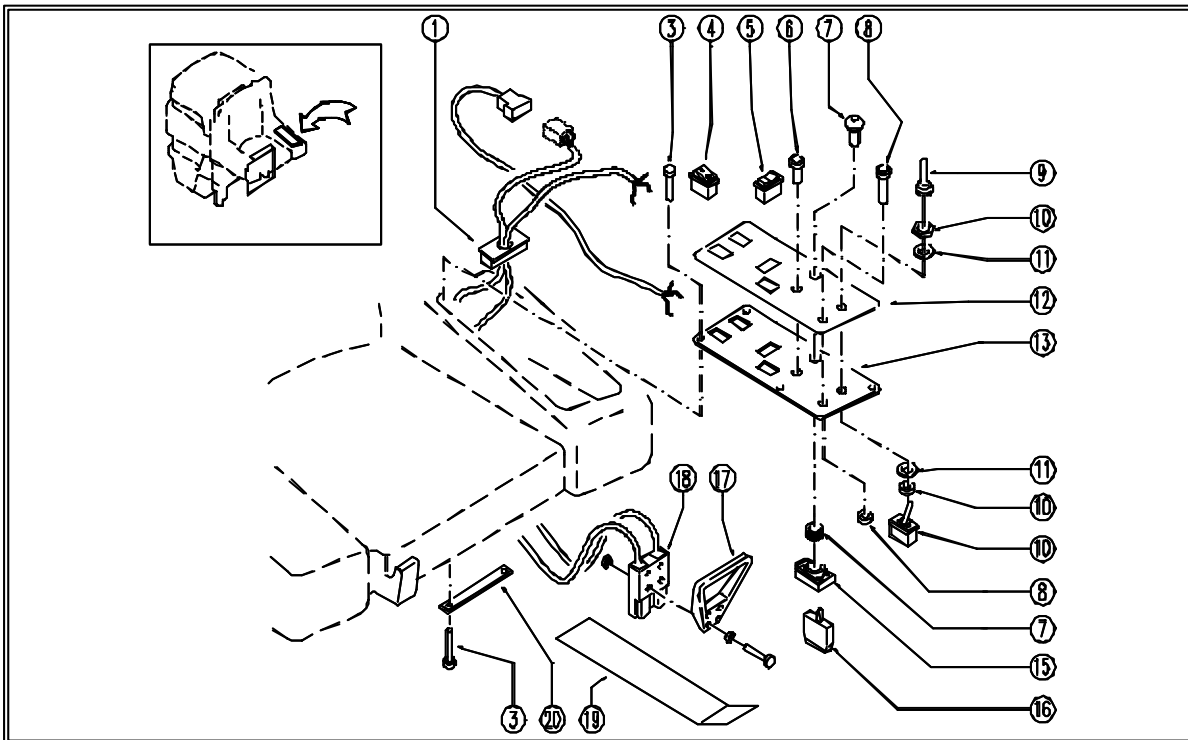
RHINO CODE: pl1215 aa SN from 96D673

REF.	CODE	DESCRIPTION	QTY
1	SL04101	SCREW	1
2	SL07276	PIN	1
3	SL07340	SPACER	1
4	SL06017	WASHER	2
5	SL03209	RUBBER	1
6	SL06062	WASHER	2
7	SL07232	SPACER	1
8	SL05039	NUT	1
9	SL09517	LEVER	1
10	SL06004	WASHER	4
11	SL06001	WASHER	2
12	SL04048	SCREW	2
13	SL04073	SCREW	1
14	SL07054	BUSHING/BUSH	1
15	SL13064	SPRING	1



← Back 1 page

RHINO CODE: pl1060 ae SN from 01G710

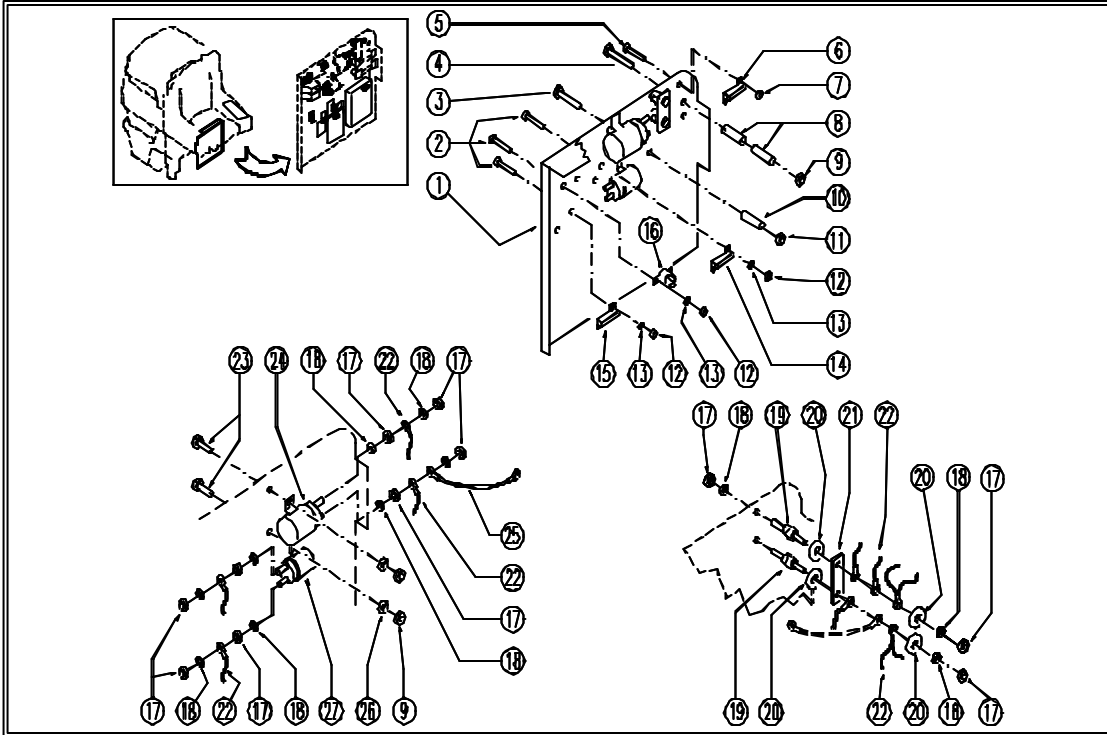


REF.	CODE	DESCRIPTION	QTY
1	SL14230	TERMINAL	1
3	SL04173	SCREW	12
4	SL23183	SWITCH	2
5	SL23649	COMMUTATOR	2
6	SL23024	PILOT LIGHT	1
7	SL23954	OPERATOR	1
8	SL23461-1	PUSH-BUTTON	1
8	SL23462-2	REFLEX REFLECTOR	1
8	SL23461-3	REFLEX REFLECTOR	1
9	SL53016	CAP	1
10	SL53015	SWITCH / SHUNTER	1
11	SL06111	WASHER	2
12	SL25784	ADESIVE LABEL	1
13	SL09952	PLATE	1
15	SL23955	CONTACT CARRIER	1
16	SL23956	BLOCK / LOCK	2
17	SL09294	HANDLE	1
18	SL23459	CONNECTOR	1
19	SL09917	PLATE	1
20	SL09526	SUPPORT	3



← Back 1 page

RHINO CODE: p11061 ad SN from 011179



RHINO CODE: p11061 ad SN from 011179

REF.	CODE	DESCRIPTION	QTY
1	SL09682	PLATE	1
2	SL04179	SCREW	8
3	SL04047	SCREW	1
4	SL04196	SCREW	2
5	SL04086	SCREW	2
6	SL23934	RESISTANCE	1
7	SL05031	NUT	2
8	SL07176	SPACER	4
9	SL05058	NUT	6
11	SL07337	SPACER	1
11	SL05039	NUT	1
12	SL05019	NUT	8
13	SL06009	WASHER	8
14	SL23969	RESISTANCE	1
15	SL23957	RESISTANCE	1
16	SL23961	THERMOSTAT	2
17	SL05004	NUT	12
18	SL06002	WASHER	12
19	SL23103	INSULATOR	2
20	SL06025	WASHER	4
21	SL23569	BRIDGE / JUMPER	1
22	GR23479-3	WIRING UNIT	1

Next page →



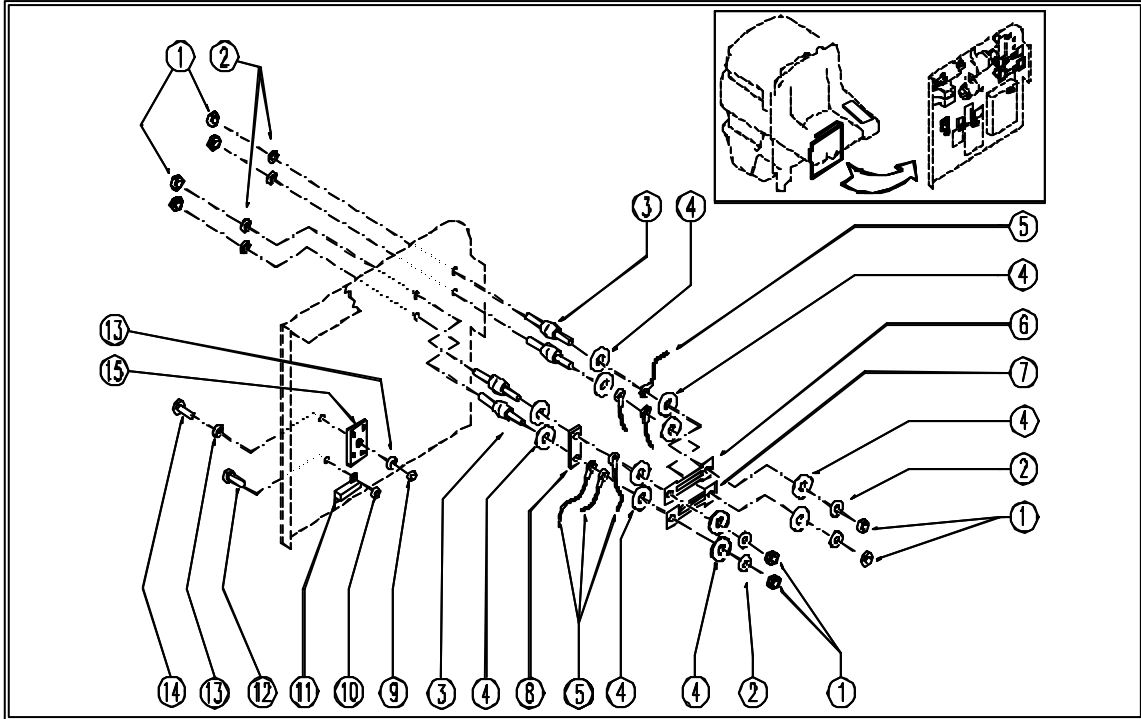
← Back 1 page

RHINO CODE: pl1061 ad SN from 011179			
REF.	CODE	DESCRIPTION	QTY
23	SL04010	SCREW	4
24	SL23371	TELESWITCH	1
25	SL23125	SHUNT	1
26	SL06004	WASHER	4
27	SL23034	TELESWITCH	1



← Back 1 page

RHINO CODE: pl1062 ad SN from 011179



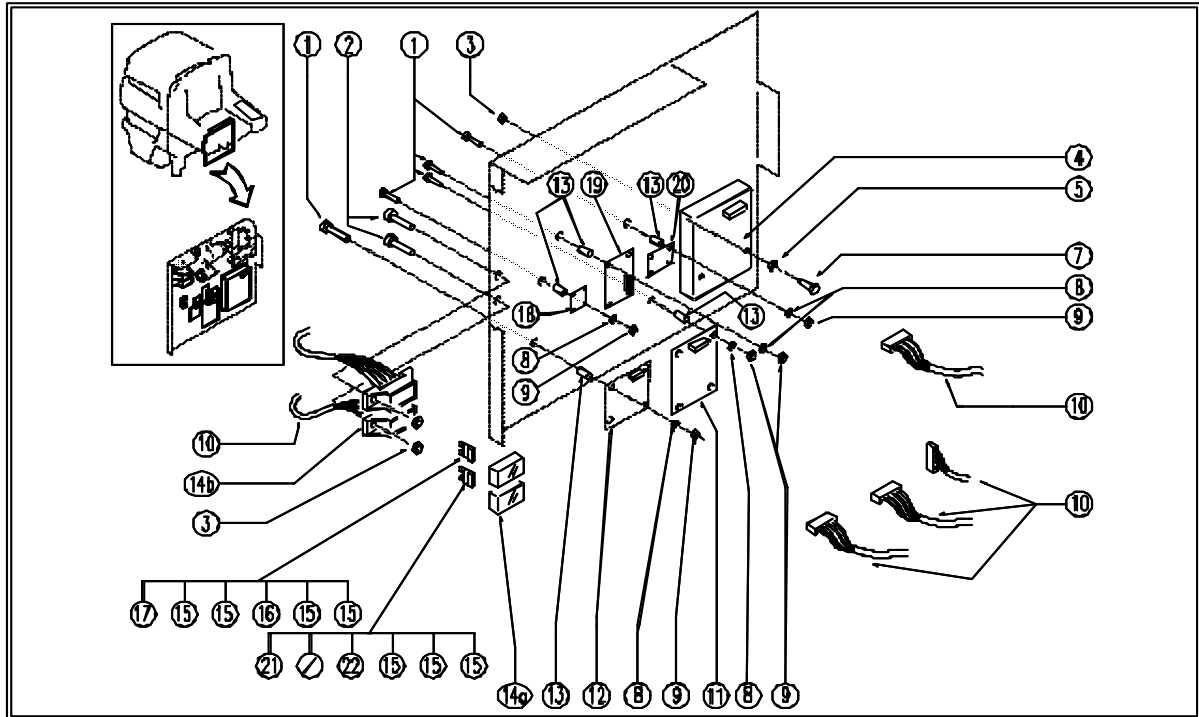
RHINO CODE: pl1062 ad SN from 011179

REF.	CODE	DESCRIPTION	QTY
1	SL05004	NUT	8
2	SL06002	WASHER	8
3	SL23103	INSULATOR	4
4	SL06025	WASHER	12
5	GR23479-3	WIRING	1
6	SL23606	FUSE	1
7	SL23869	FUSE	1
8	SL23569	BRIDGE / JUMPER	1
9	SL05034	NUT	1
10	SL05031	NUT	2
11	SL53021	RESISTANCE	1
12	SL04086	SCREW	2
13	SL06019	WASHER	2
14	SL04088	SCREW	1
15	SL23081	BRIDGE / JUMPER	1



← Back 1 page

RHINO CODE: pl1063 ad SN from 02A550

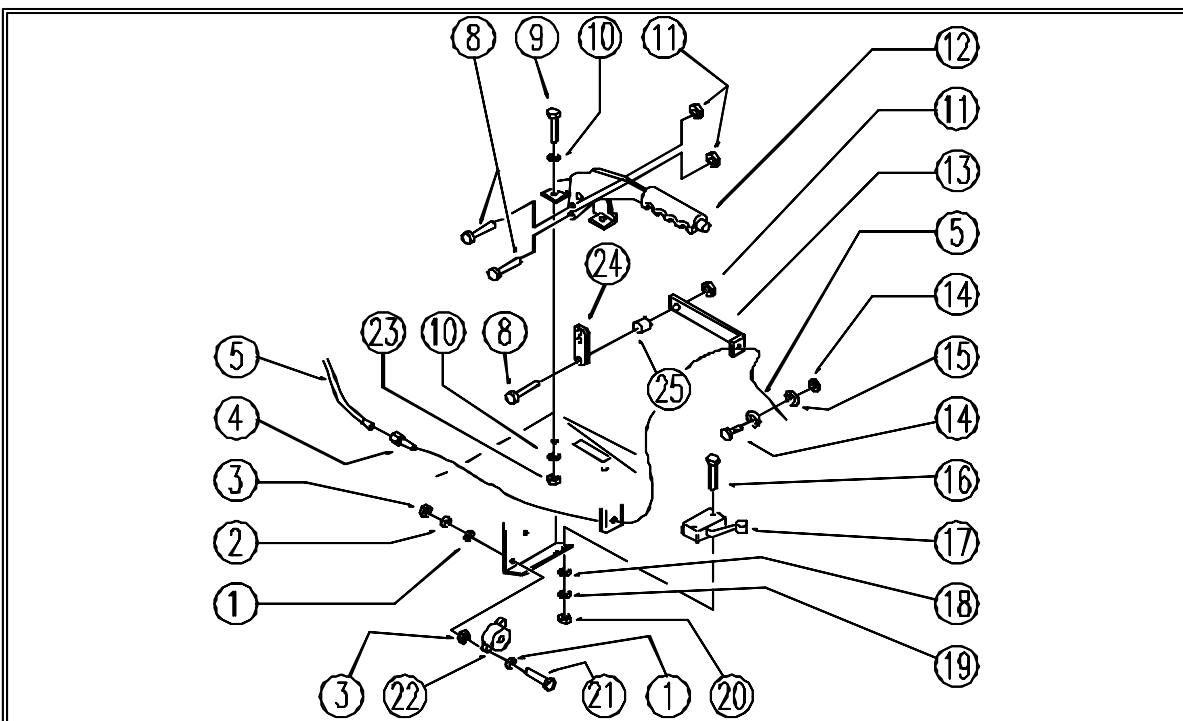


REF.	CODE	DESCRIPTION	QTY
1	SL04016	SCREW	17
2	SL04106	SCREW	4
3	SL05034	NUT	6
4	SL53017	DRIVE GEARCASE / BOARD	1
5	SL06038	WASHER	2
7	SL04385	SCREW	2
8	SL06009	WASHER	17
9	SL05009	NUT	17
10	GR23479-3	WIRING UNIT	1
11	SL23571	GEARCASE / BOARD	1
12	SL53018	GEARCASE / BOARD (OPTIONAL)	1
13	SL14184	SPACER	17
14a	SL23893-2	LID	2
14b	SL23894	FUSE CARRIER	2
15	SL23144	FUSE	7
16	SL23147	FUSE	1
17	SL23145	FUSE	1
18	SL23039	GEARCASE / BOARD	1
19	SL23361	GEARCASE / BOARD	1
20	SL53028	GEARCASE / BOARD	1
21	SL23144	FUSE	1
22	SL53040	FUSE	1



← Back 1 page

RHINO CODE: pl1053 aa SN from 96D673

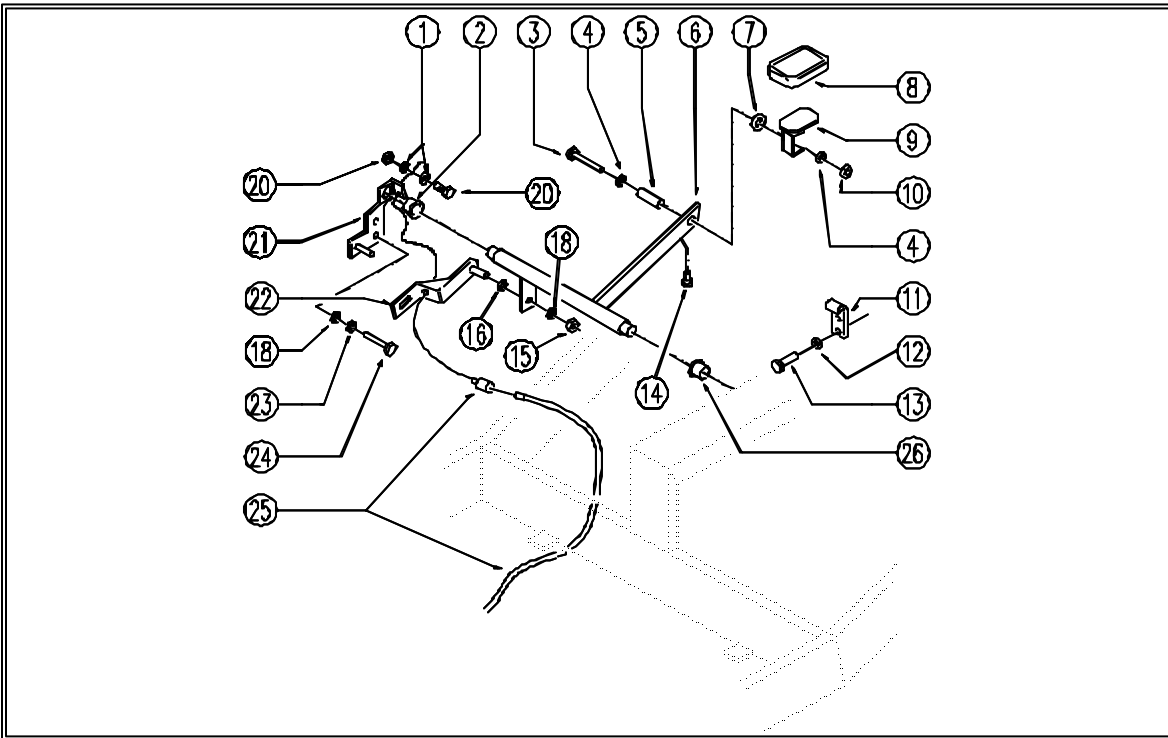


REF.	CODE	DESCRIPTION	QTY
1	SL06009	WASHER	4
2	SL06024	WASHER	2
3	SL05009	NUT	4
4	SL14222	REGISTER	1
5	SL14210	CABLE	1
8	SL04023	SCREW	3
9	SL04048	SCREW	2
10	SL06004	WASHER	4
11	SL05001	NUT	3
12	SL20042	LEVER	1
13	SL09731	SMALL BRACKET	1
14	SL14212	CLAMP	1
15	SL06011	WASHER	2
16	SL04197	SCREW	2
17	SL23200	MICROSWITCH	1
18	SL06019	WASHER	2
19	SL06033	WASHER	2
20	SL05012	NUT	2
21	SL04016	SCREW	2
22	SL23354	INDICATOR	1
23	SL05011	NUT	2
24	SL09722	BLOCK / LOCK	1
25	SL07062	SCREW	1



← Back 1 page

RHINO CODE: pl1066 ab SN from 00E000

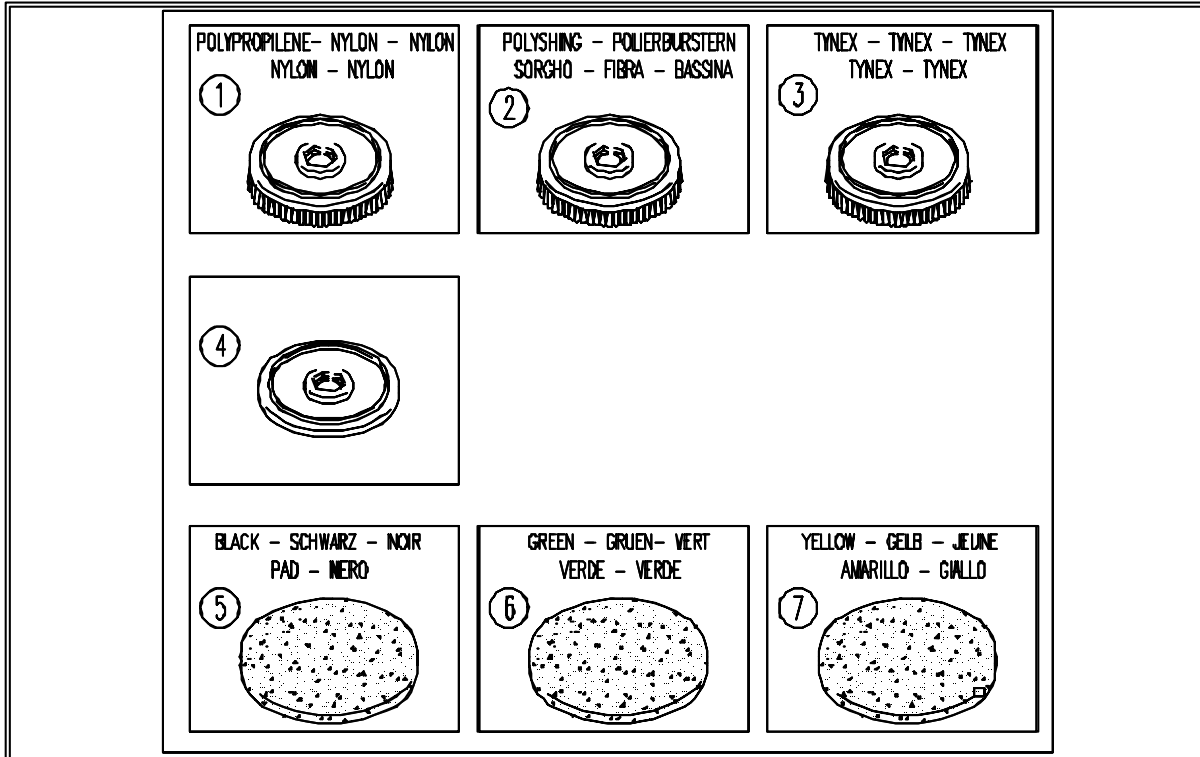


REF.	CODE	DESCRIPTION	QTY
1	SL06011	WASHER	2
2	SL12037	BEARING	1
3	SL04073	SCREW	1
4	SL06004	WASHER	2
5	SL07311	SPACER	1
6	SL09738	LEVER	1
7	SL06068	WASHER	1
8	SL20013	RUBBER	1
9	SL09741	TREADLE	1
10	SL05041	NUT	1
11	SL09740	BLOCK	1
12	SL06016	WASHER	2
13	SL04223	SCREW	2
14	SL14309	RUBBER	1
15	SL05039	NUT	1
16	SL06064	WASHER	1
18	SL06003	WASHER	3
20	SL14212	CLAMP	1
21	SL09739	PLATE	1
22	SL09766	PLATE	1
23	SL06002	WASHER	2
24	SL04004	SCREW	2
25	SL14224	CABLE	1
26	SL12035	BEARING	1



← Back 1 page

RHINO CODE: pl1237 aa SN from 98A100

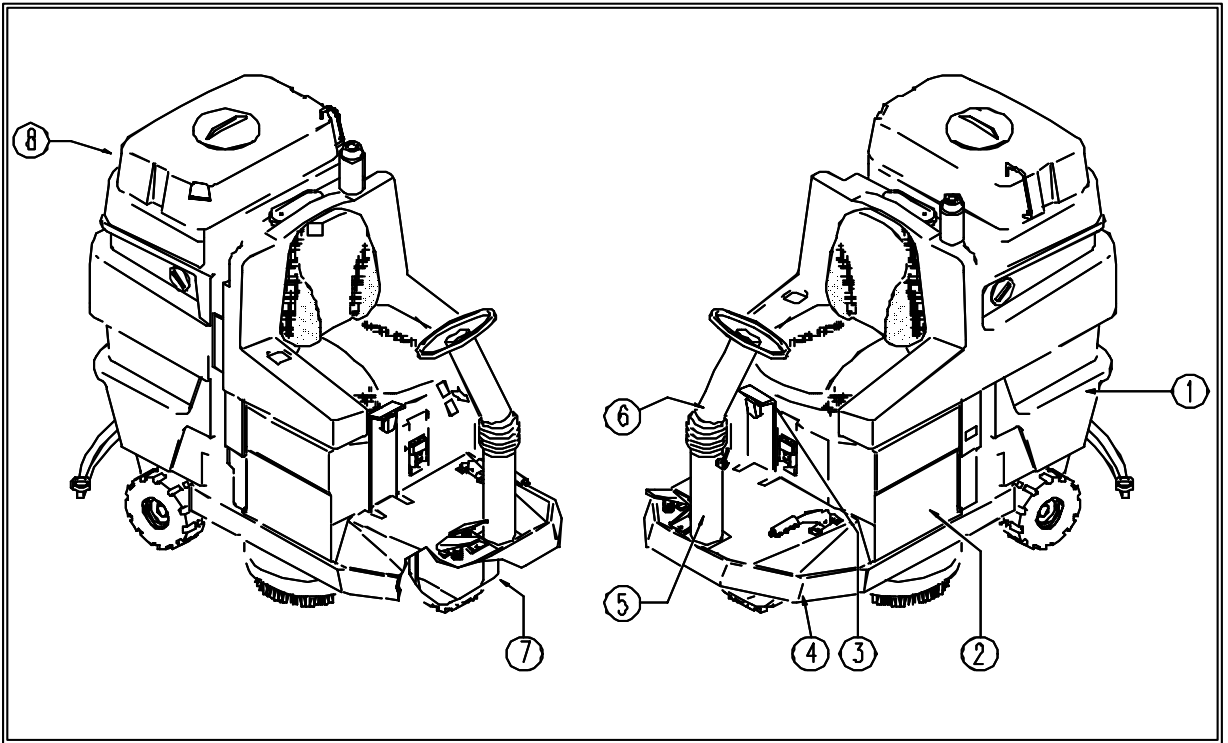


REF.	CODE	DESCRIPTION	QTY
1	AL04705	POLYPROPYLENE BRUSH	
2	AL04707	POLYSHING BRUSH	
3	AL04706	TYNEX BRUSHES	
4	AL04701	PAD DRIVER	
5	AL02219	STRIPPING PAD(BLACK)	
6	AL02220	STRIPPING PAD(GREEN)	
7	AL02221	STRIPPING PAD(YELLOW)	



← Back 1 page

RHINO CODE: pl1277 ae SN from 00E200

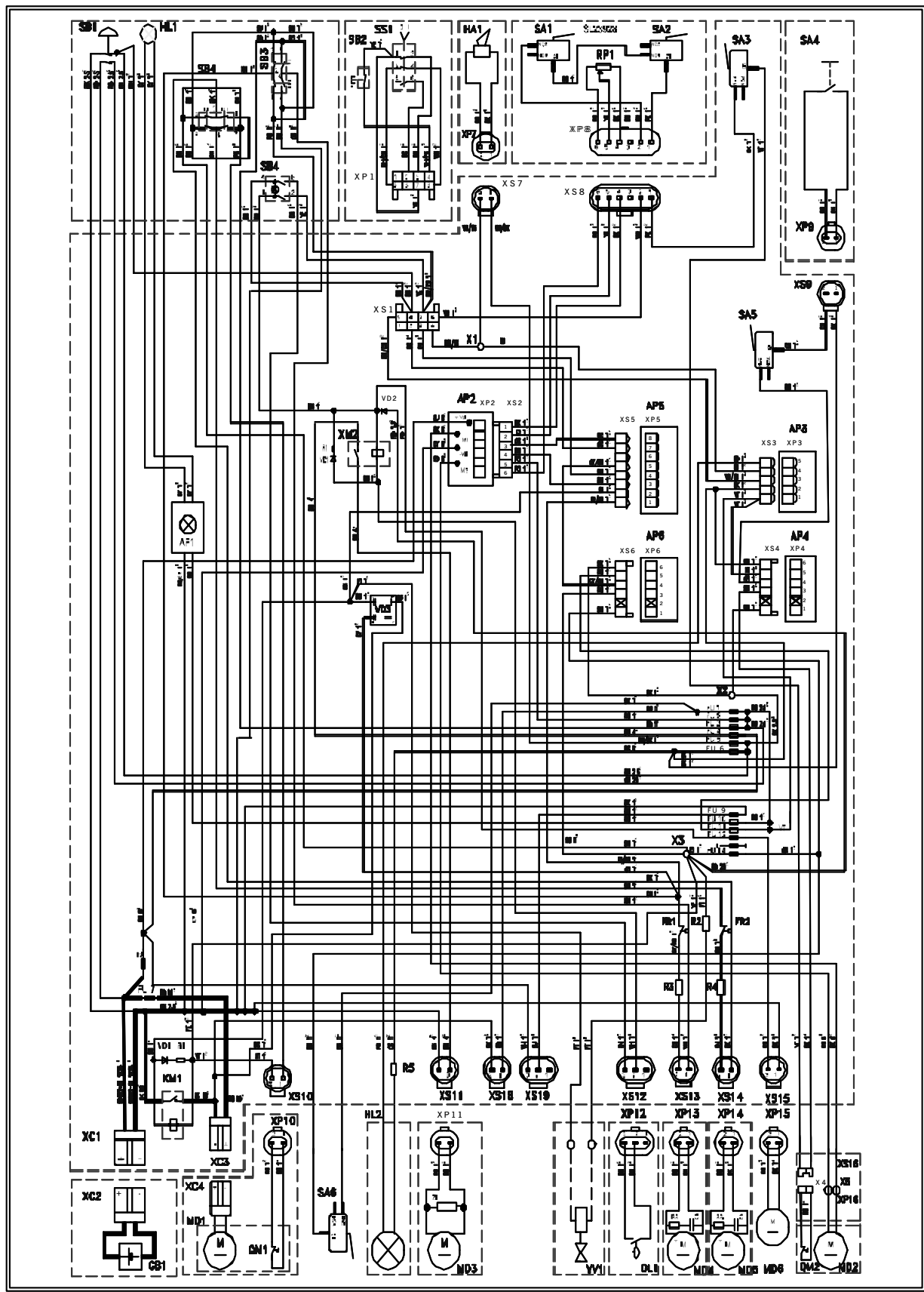


REF.	CODE	DESCRIPTION	QTY
1	SL17531VE	GREEN TANK	1
1	SL17531AS	GREY TANK	1
1	SL17531RO	RED TANK	1
2	SL17342NE	BLACK BOX	1
2	SL17342BC	RED BOX	1
3	SL09814F	HANDLE	1
4	SL39006	FRAME	1
5	SL09696F	STEERING COLUMN	1
6	SL09697F	STEERING COLUMN	1
7	SL17337NE	CASE	1
7	SL17337BC	RED CASE	1
8	SL17516NE-2	BLACK TANK	1



← Back 1 page

RHINO CODE: wd27126-2 ad SN from 02A550





← Back 1 page

Eagle Power™ Products Group

Warranty Policy

Limited Warranty

Eagle Power Products (EPP) warrants new cleaning equipment against defects in material and workmanship under normal use and service to the original purchaser as detailed below.

10 Years

Subject to the conditions stated below, EPP warrants polyethylene tanks and housings to be free from defects in materials and workmanship for a period of ten years.

3 Years

Subject to the conditions stated below, EPP warrants all automatic scrubber components to be free from defects in materials and workmanship for a 3-year period. Parts replaced or repaired are warranted for the remainder of the original warranty period.

1 Year

Subject to the conditions stated below, EPP warrants all other cleaning equipment components to be free from defects in materials and workmanship for a 1-year period. Parts replaced or repaired are warranted for the remainder of the original warranty period. Batteries are prorated for one year.

EPP will furnish and charge for replacement parts, including transportation, to the original owner through an EPP authorized service center. If the part is returned within 30 days and is found defective, the owner will be credited for the cost of the replacement part including shipping and handling.

Labor charges are covered for one year from the date of purchase if provided by an authorized EPP service center. Travel is covered for 90 days for battery operated equipment only.

Wear items exempt from warranty include belts, carbon brushes, power cords, wheels, pad drivers, clutch plates, brushes, pads, handle grips, filters, screens, throttle cables, and squeegees.

This warranty shall not apply to failures caused by misuse or abuse, improper maintenance as stated in the operation manuals, use of unauthorized repair parts, repairs by other than an EPP authorized service center, and damage in transit.

EPP disclaims and denies any liability for any direct, indirect, special incidental or consequential damage which may be suffered as a result of sale, delivery, servicing, use, loss of any product, downtime, labor, freight, or other charges not expressly included herein.

Date Purchased: _____

Serial Number: _____

Serial Number: _____

Please be sure to record this information. This information will be necessary for future warranty claims.



1174 Northland Drive Mendota Heights, MN 55120
651.686.5399 Fax 651.686.5695
www.eaglepower.com

Eagle Power Products Sales and Service Provided by: