



Electronic Service Manuals

This electronic document is provided as a service to our customers. We do not create the contents of the information contained in this document. Should you have detailed questions pertaining to the information contained in this document, you may contact Michco, or the manufacturer which provided the original information in this electronic deliverable. Michco's only part in this electronic deliverable was the electronic assembly process. By providing this manual on line we are not guaranteeing parts availability.

You may contact Michco through the following methods:

Phone (517) 484-9312 or (800) 331-3339

2011 N. High St. -- Lansing, Michigan -- 48906

Fax: (517) 484-9836

Email: CustServe@Michco.com

Web site: www.Michco.Com

Parts Web site: www.FloorMachineParts.Com

Order Parts on Line at:

www.FloorMachineParts.Com

Directly to Parts & Service:

By Email: **Shop@Michco.com**

By Fax: (517) 702-2041

By Voice: Use numbers above.

Serving the Cleaning Industry Since 1922

Notice: All copyrighted material remains property of original owners, all trademarks are property of respective owners. Manuals are subject to Manufacturer's reproduction limitations. Originals or reproductions were provided by manufacturers through a request. We make no warranty as to the correctness of information provided in this document and you assume all risk. By placing these manuals on line we are not declaring our corporation to be an manufacturer authorized dealer or provider, please check our web site for authorized manufacturers we represent.

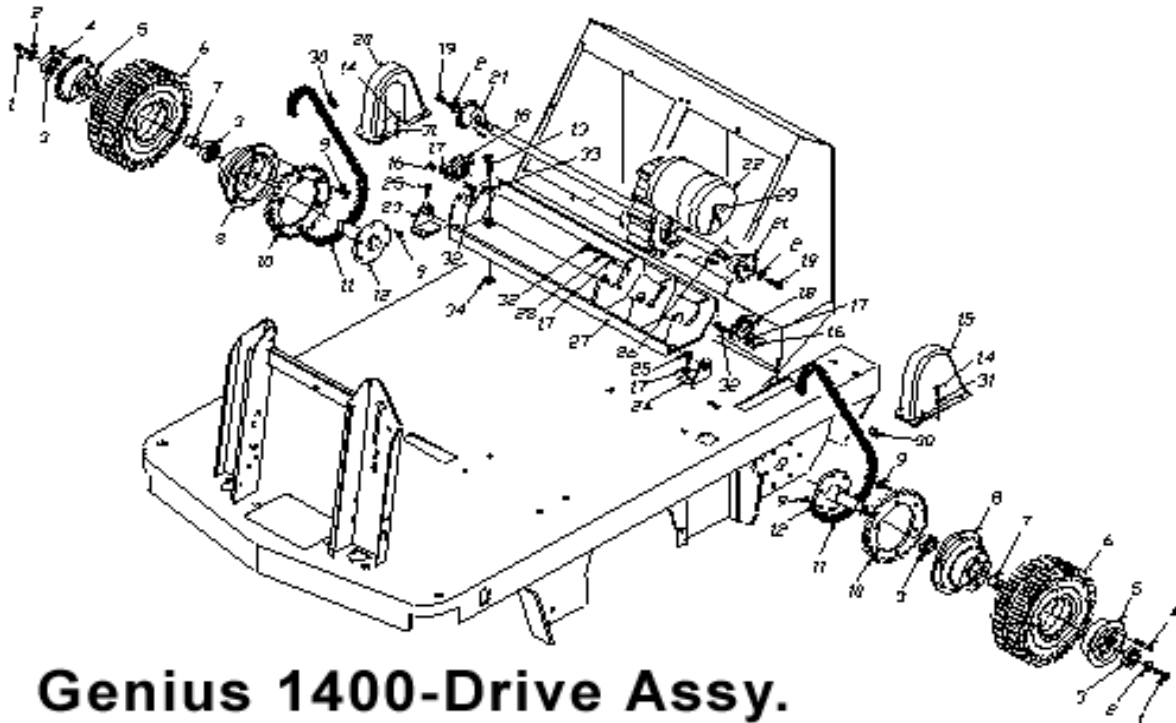
Eagle Power



GENIUS 1400 AUTOMATIC SWEEPER

PARTS MANUAL

GENIUS 1400-AUTOMATIC SWEEPER-DRIVE ASSY



Genius 1400-Drive Assy.

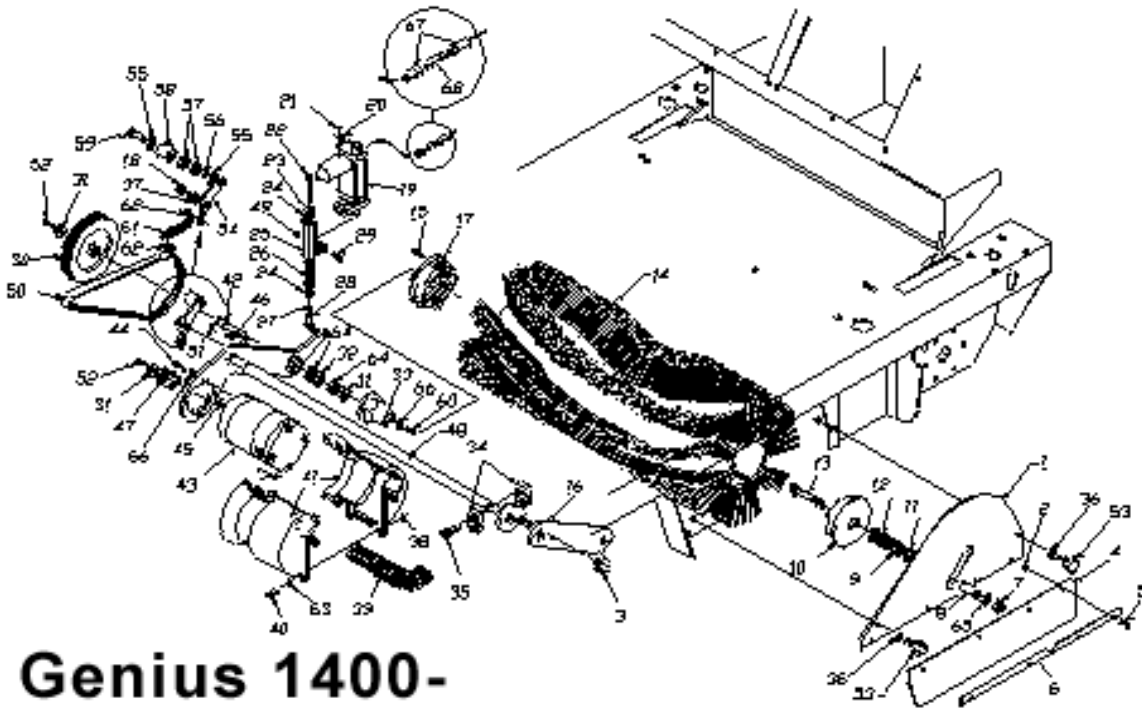
GENIUS 1400-AUTOMATIC SWEEPER-DRIVE ASSY

POS.	PART #	DESCRIPTION	QTY.
1	T81105239	Screw ISO 7380 8x16 zb	2
2	T81105327	Washer uni 6593 8x32x2,5	4
3	T81390003	Bearing 6204 2RS	4
4	T81105563	Screw uni 5931 8x30 zb	12
5	T822501029	Front and rear wheel hub TK1400	2
6	T81250070	Superelastic wheel BA-MA-4.00x4	2
7	T821301009	Galvansied spacer Ø20x24x22	2
8	T822501030	Rear wheel hub TK1400	2
9	T81105961	Screw TSCE uni 5933 8x30	18
10	T822501026	Wheel drive ring gear Z45 P1/2" TK1400	2
11	T823301003	Transmissiom chain 1/2" TK 1400	2
12	T822601064	Rear wheel support TK 1400	2
13	T81105070	Screw uni 5739 10x45	2
14	T81105236	Screw TB CE iso 7380 6x16 zb	4
15	T821201072	Left chain protection casing TK 1400	1
16	T81105134	Lock nut uni 985 M8	4

GENIUS 1400-AUTOMATIC SWEEPER-DRIVE ASSY

POS.	PART #	DESCRIPTION	QTY.
17	T81105304	Washer uni 6592 8x17	14
18	T81390023	Support SBPFL 204	2
19	T81105239	Screw iso 7380 8x16 zb	2
20	T821201071	Right chain protection casing TK 1400	1
21	T822501040	Differential pinion Z12 P1/2" TK1400	2
22	T81340031	Electric traction reducer TK 1400 Dual-Power	1
23	T822601093	Galv. right drive crossbeam support TK 1400	1
24	T822601094	Galv. left drive crossbeam support TK 1400	1
25	T81105517	Screw uni 5931 8x25 zb	4
26	T81105469	Key uni 6604 6x6x25	2
27	T822601083	Galvanised differential support TK 1400	1
28	T81105750	Washer 8X14	6
29	T823802006	Temperature sensor F11-95° NC	1
30	T81155003	Chain link 1/2	2
31	T81105303	Washer uni 6592 6X12	2
32	T81105552	Screw uni 5931 8x20 zb	10
33	T81105125	Lock nut M10	2
34	T821301020	Spacer	2

GENIUS 1400-AUTOMATIC SWEEPER-STEERING ASSY



Genius 1400- Brush Assy.

GENIUS 1400-AUTOMATIC SWEEPER-STEERING ASSY

POS.	PART #	DESCRIPTION	QTY.
1	T81105136	Block nut din 985 M12 zb	2
2	T821301011	Zinc-spacer Ø20x24x55	1
3	T822301026	Front wheel pivot TK 1400	1
4	T81250073	Front brake Ø 125 TK 1400	1
5	T81105517	Screw uni 5931 8x25 zb	6
6	T822501023	Front brake hub TK1400	1
7	T81250070	Superelastic wheel BA-MA-4.00x4	1
8	T81390003	Bearing 6204 2RS	2
9	T821301009	Zinc-spacer Ø20x24x22	1
10	T821301010	Zinc-spacer Ø20x24x35	1
11	T822601334	Front wheel zinc-stand TK 1400	1
12	T821101012	Bushing	1
13	T81105754	Washer Ø18	1
14	T81105793	Screw, 3,9x13	3
15	T82380115	LED	2
16	T823301002	Chain TK 1400 3/8"	1

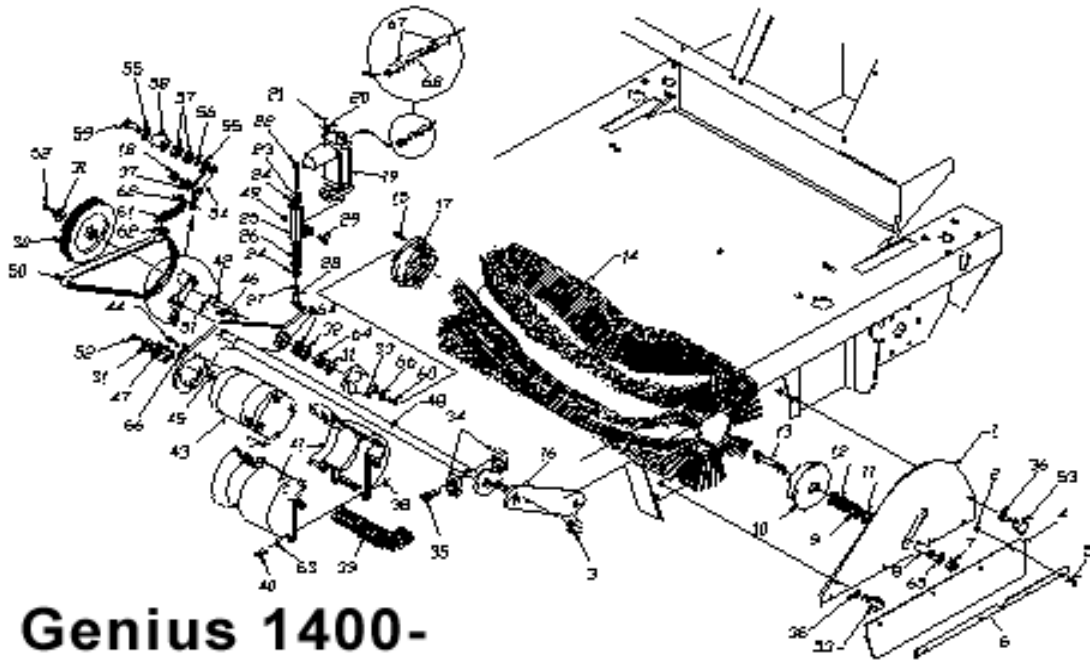
GENIUS 1400-AUTOMATIC SWEEPER-STEERING ASSY

POS.	PART #	DESCRIPTION	QTY.
17	T821601025	Gasket under the dashboard 1400	1
18	T822301005	Backsending pivot	1
19	T821101002	Rocker bushing	2
20	T821101004	Rocker bushing	1
21	T822501029	Front- and backside wheel hub TK1400	1
22	T81105064	Screw uni 5739 8x25	6
23	T821501015	Trasco joint blocking flange TK 1400	1
24	T81390019	Bearing 51112	2
25	T821051011	Closing flange	1
26	T81105063	Screw uni 5739 8x20	3
27	T81105750	Washer uni 1751 8x14 zb	6
28	T81105951	Shim 15x22x1	2
29	T821301003	Spacer	1
30	T81165009	Ring nut M 35x1,5 guk	1
31	T81105405	Outer snap ring din 471 Ø15	1
32	T81255005	Universal joint	2
33	T81105603	Elastic pin din 1481 5x25	4
34	T821001006N	Steering shaft	1
35	T81105162	Screw 6x16	4
36	T81105324	Washer uni 6593 6x18x1,5	4
37	T81105133	Block nut din 985 M6 basso zb	4
38	T81105405	Inner snap ring Ø15	1
39	T81390009	Bearing 6202 2RS	2
40	T822601225	Dashboard support TK 1400	1
41	T813801010	Deflecting drive direction/light/horn TK 1400	1
42	T813801001	Key switch	1
43	T821001017	Steer shaft TK 1400	1
44	T81105232	Screw TBCE iso 7380 10x16 zb	1
45	T813201002	Steering wheel's cap	1
46	T81105329	Washer uni 6593 10x40x2,5 zb	1
47	T813201001	Steer Ø 320	1
48	T813201009	Steer damper	1
49	T821801013	3 Positions' turner	1
50	T81180051	Dashboard vibrating diaphragm manual TK 1400	1
51+	T821801087	Speed Potentiometer 10K	1
52	T81105229	Turned adjuster Ø 7	1
53	T822301009	Brake pedal cable dowel	1
54	T81105306	Washer uni 6592 12x24 zb	2

GENIUS 1400-AUTOMATIC SWEEPER-STEERING ASSY

POS.	PART #	DESCRIPTION	QTY.
55	T82230012	Pivot ch.10 h.16	1
56	T81105126	Nut uni 5588 M12	1
57	T822301003	Cable fixing pivot	1
58	T81125028	Buckle Ø 7 art. C7035	1
59	T821101006	Bushing	4
60	T81105482	Dowel uni 5923 6x5	3
61	T82205005	Traction spring TK Ø 8 x1x29	1
62	T822301007	Security brake pedal pivot	1
63	T822601002	Security brake pedal	1
64	T821101005	Bushing	1
65	T81105410	Outer snap ring din 471 Ø10	2
66	T822601144	Brake pedal	1
67	T813201007	Pedal cover V1021	1
68	T82230015	Spring-attaching pivot	1
69	T81105420	Outer snap ring din 471 Ø12	1
70	T822301004	Pivot	1
71	T821251013	Brake's cable sheathing	1
72	T821801052	Command board TK 850/TK 1400	1
73	T81105062	Screw TE 8x16	5
74	T821501016	Brake flange TK 1400	1
75	T81155001	Joint 3/8	2
77	T812901053	Column	3
78	T821501019	Flange	1
79	T813201012	Mobile knob	1
80	T81105326	Washer 8X24	1
81	T81105750	Washer 8X14	1
82	T821251003	Brake's cable	1
83	T81105202	Nut M6	2
84	T81105235	Screw, TBCE 6X20	2
85	T81105303	Washer 6x12	2
86	T821201052	Grey dashboard TK 1400	1
87	T81105300	Screw, TSTC 3x8	3
88	T81105120	Nut M3	6
89	T822621211	Spacer	1
A	T823151000	Complete eccentric bushing assembly	1

GENIUS 1400-AUTOMATIC SWEEPER-BRUSH ASSY



Genius 1400- Brush Assy.

GENIUS 1400-AUTOMATIC SWEEPER-BRUSH ASSY

POS.	PART #	DESCRIPTION	QTY.
1	T822601092	Main brush flap door TK 1400	1
2	T81105813	Plastic insert (female screw)	4
3	T81320099	Handwheel Ø 50 M8	1
4	T821601012	Right and left flap TK 1400	1
5	T81105805	Self tapping screw TC+ uni 6954 3,5x14,5 zb	4
6	T821501022	Lateral flap holder TK 1400 black	1
7	T81105136	Block nut din 985 M12 zb	1
8	T821301012	Main brush spacer TK1400 zin	1
9	T81390004	Bearing 6001 2RS	1
10	T822601096	Main brush support TK 1400	1
11	T81105707	Inside snap ring din 472 Ø 28	2
12	T822051009	Main brush spring TK 1400 Ø 25x38	1
13	T81105530	Screw uni 5931 12x80 zb	1
14	T81350036	Main brush Ø 330x800 6R0.5/1.2 TK1400	1
	T81350037	Main brush 330x800 6R0.7/1.4 TK1400	
15	T81105359	Self tapping screw TC+ uni 6955 3.5x45 zb	2
16	T822601088	Main brush removable arm	1
17	T822501036	Main brush driver TK 1400	1

GENIUS 1400-AUTOMATIC SWEEPER-BRUSH ASSY

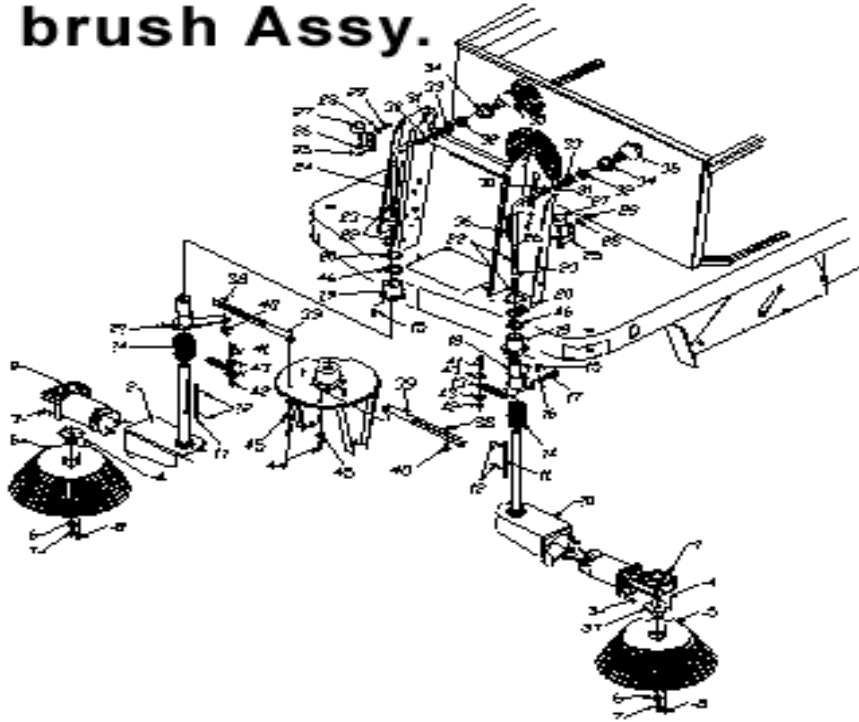
POS.	PART #	DESCRIPTION	QTY.
18	T822301037	Belt stretcher strap pin	1
19	T823151001	Main brush drive actuator TK 1400	1
20	T81105303	Washer uni 6592 6x12	1
21	T81105940	Split pin AR	1
22	T81105557	Screw, uni 5739 6x100	1
23	T81105705	Inner snap ring din 472 Ø 20	1
24	T821101043	Roll shoulder bushing TK 1000S	2
25	T825001023	Main brush spring holder case TK 1400	1
26	T822051011	Main brush case spring TK 1400	1
27	T81105123	Nut uni 5588 M6 zb	1
28	T81155011	Toggle-joint M6	1
29	T81105045	Screw uni 5739 6x30	1
30	T822501032	Main brush pulley TK 1400	1
31	T81105325	Washer uni 6593 6x24x2	2
32	T821301027	Main brush spacer TK1400 zin	1
33	T822501039	Main brush driving hub TK 1400	1
34	T822601068	Collar C3 Ø 8	4
35	T81105513	Screw uni 5931 6x40 zb	4
36	T81105304	Washer uni 6592 8x17	2
37	T821101005	Bushing	1
38	T81105809	Inserto filettato M4x12	7
39	T825001017	Main brush cooling engine pipe	1
40	T81105800	Screw TCTC uni 7687 4x16	7
41	T821201055	Main brush engine protection TK 1400	1
42	T822301025	Main brush pin TK 1400	1
43	T81340032	Main brush engine TK 1400	1
44	T81105506	Screw TCCE uni 5931 6x20 zb	5
45	T81105460	Key uni 6604 5x5x30	1
46	T81105473	Key uni 6604 4x4x35	1
47	T822501031	Main brush motor pulley TK 1400	1
48	T822601331	Main brush holder zinc-arm TK 1400	1
49	T81105137	Nut uni 5588 M6	1
50	T81330019	Belt POLY 864-340 J 8	1
51	T81105467	Key uni 6604 5x5x20	1
52	T81105533	Screw TCCE uni 5931 6x12 zb	1
53	T81320018	Hand-wheel	2
54	T821901006	Belt stretcher strap	1
55	T81105704	Snap ring	2

GENIUS 1400-AUTOMATIC SWEEPER-BRUSH ASSY

POS.	PART #	DESCRIPTION	QTY.
56	T821101032	Spacer	1
57	T81390007	Bearing 6000	2
58	T822501015	Belt stretcher roll	1
59	T822301035	Belt stretcher roll pin	1
60	T81105533	Screw TCCE uni 5931 6x12 zb	1
61	T82205015	Belt stretcher spring	1
62	T81105230	Screw TB CE 8x10	2
63	T81105330	Washer uni 6593 4x12x1,5zb	7
64	T81390032	Bearing 6001-2RS1	2
65	T81105306	Washer 12x24	1
66	T81105324	Washer 6X18	5
67	T81380090	Fuse-box	1
68	T81380089	Fuse	1

GENIUS 1400-AUTOMATIC SWEEPER-SIDE BRUSH ASSY

**Genius 1400-
Side brush Assy.**



GENIUS 1400-AUTOMATIC SWEEPER-SIDE BRUSH ASSY

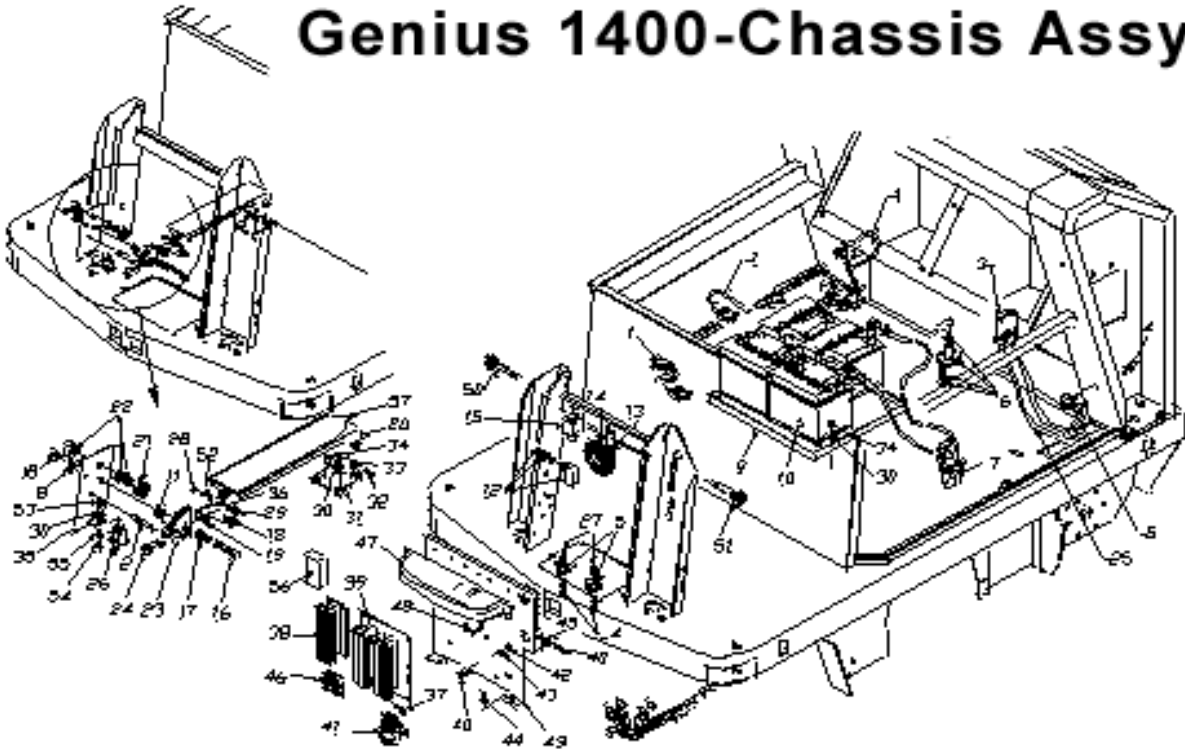
POS.	PART #	DESCRIPTION	QTY.
1	1340034	Gear motor 24V 90W dx TK1400	1
2	22601069	Right side brush motor zinc-support TK 1400	1
3	1105506	Screw TCCE 6x20	8
4	1105464	Key uni 6604 5x5x25	2
5	1350040	Lateral brush TK 1400 Ø 510	2
6	1105325	Washer 6x24	2
7	1105160	Screw TE FR 6x10 zb	2
8	1105162	Screw TE FR 6x16 zb	6
9	1340033	Gear motor AOMPI40 24V 90W sx TK1400	1
10	22601070	Left side brush motor support TK 1400	1
11	21051001	Key 6x6x130	2
12	1105601	Elastic pin din 1481 3x20	4
13	22051014	Lateral brush spring	2
14	13201005	Brush shaft damper	2
15	1105507	Screw TCCE 6x16	6
16	1105124	Nut uni 5588 M8	6

GENIUS 1400-AUTOMATIC SWEEPER-SIDE BRUSH ASSY

POS.	PART #	DESCRIPTION	QTY.
17	1105066	Screw TE uni 5739 8x35 zb	2
18	22601065	Leftside brush shaft guide	1
19	22601063	Lateral brush holder flange	2
20	1105419	Outer snap ring din 471 d.30	2
21	22601085	Right side brush shaft zinc-guide TK 1400	1
22	1105125	Nut uni 5588 M10	4
23	1155005	Axle joint M10	2
24	22601110	Brush lifting arm	1
25	21501101	Lateral brush adjustment stand	2
26	1105123	Nut uni 5588 M6	2
27	1370003	Foot 20x9 M6x18	2
28	1105324	Washer uni 6593 6x18x1,5	4
29	1105236	Screw iso 7380 6x16 zb	4
30	1105410	Outer snap ring din 471 Ø 10	2
31	1105305	Washer uni 6592 10x21	2
32	21101015	Bushing	2
33	22051004	Spring	2
34	21101016	Bushing	2
35	13201008	Knob	2
36	22601111	Left side brush lifting arm	1
37	21501005	Flange	2
38	1105133	Block nut din 985 M6 basso zb	2
39	21001018	Lateral brushes rotation zic-rod	2
40	22901001	Screw TK1400	2
41	1105059	Screw M8X40	2
42	1105134	Block nut din 985 M8 zb	2
43	1105326	Washer uni 6592 8X24	4
44	1105500	Screw M5X12	2
45	1105323	Washer uni 6592 5X20	2
46	21301004	Spacer	2

GENIUS 1400-AUTOMATIC SWEEPER-CHASSIS ASSY

Genius 1400-Chassis Assy.



GENIUS 1400-AUTOMATIC SWEEPER-CHASSIS ASSY

POS.	PART #	DESCRIPTION	QTY.
1	T81180016	Battery bridge section 16, 30 cm	3
2	T82230005	Belt support pin Ø 9 h.33	1
3	T81380086	Intake FT 80	1
4	T81105160	Screw TE FR 6x10	4
5	T81380091	Insulator mm 35 M6 CH32	3
6	T81380032	Battery disconnection key 100A 24V	1
7	T821801057	Battery connection cable TK 1400	1
8	T81105326	Washer uni 6593 8x24x2,5	1
9	T821201075	Battery container 240 AH	1
	T821201078	Battery container 140 AH DIESEL	
	T81180035	Battery 12 V 45 AH	2
10	T81180041	Battery 12 V 120 AH semitraction	2
	T81180046	Battery 12 V 140 AH semitraction	2
	T81180015	Battery 6 V 240 AH	4
11	T822051007	Torsional spring	1
12	T81380001	Micro-switch (MS/10-Z15GQ)	2

GENIUS 1400-AUTOMATIC SWEEPER-CHASSIS ASSY

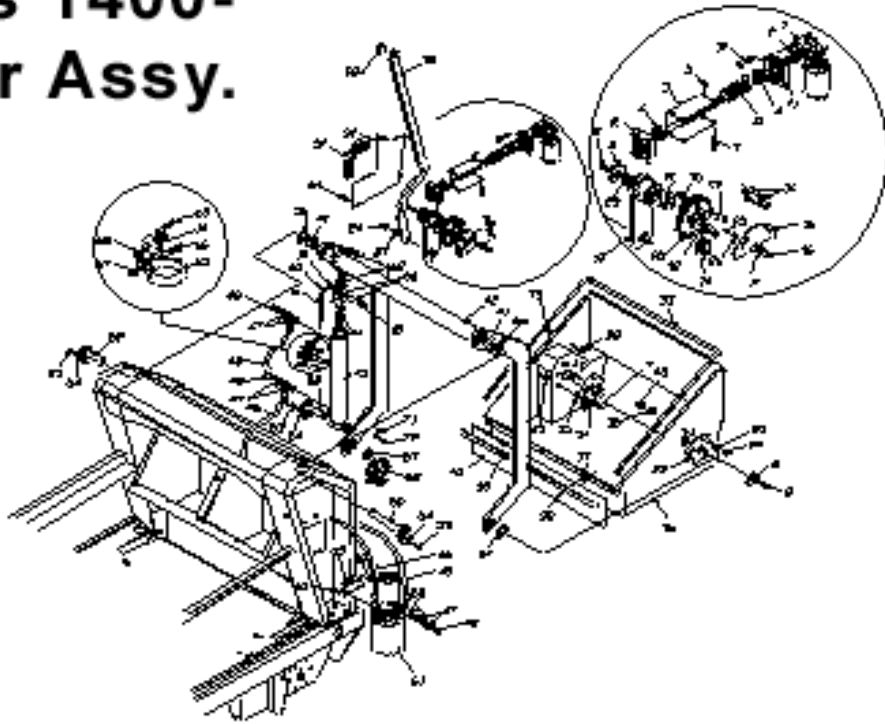
POS.	PART #	DESCRIPTION	QTY.
13	T81380033	Horn 24 V	1
14	T81105361	Screw TE FR 6,3x19 zb	1
15	T81180019	Flashlight 24vx220w	1
16	T81105066	Screw uni 5739 8x35	1
17	T821101019	Accelerator bushing TK1000	1
18	T81105134	Low lock nut din 985 M8 zb	2
19	T821901007	Galvanised accelerator connecting rod 1400	1
20	T822601140	Accelerator pedal TK 1400	1
21	T822501011	Gear for the accelerator potentiometer TK1000E	1
22	T81180055	Potentiometer for the accelerator	1
23	T822501006	Accelerator gear	1
24	T81105065	Screw uni 5739 8x30	1
25	T811801000	Complete electrical equipment TK1400	1
26	T821801018	Micro-switch	1
27	T81105480	Dowel 6x30	2
28	T81105777	Screw TCCE zb 5x20	1
29	T81105122	Nut uni 5588 M5	1
30	T81105303	Washer uni 6592 6x12 zb	6
31	T822601141	Accelerator pedal support TK 1400	1
32	T81105234	Screw TBCE iso 7380 6x10 zb	2
33	T81105133	Lock nut din 985 M6	2
34	T81105236	Screw TBCE 6x16 zb	6
35	T822601146	Bracket	1
36	T81105808	Washer uni 6592 5x15 zb	2
37	T81380070	100A Fuse	1
38	T821801053	Bin lifting control card TK 1400	1
39	T821801051	Power control card TK 1400	1
40	T81105162	Screw TE FR 6x16	4
41	T81380085	Remote control switch T106P 24V 100%	1
42	T81105133	Low lock nut din 985 M6 zb	5
43	T81105325	Washer uni 6593 6x24x2	1
44	T81105160	Screw TE FR 6x10	1
45	T81105324	Washer uni 6593 6x18x1,5	1
46	T821801054	Relay control card TK 1400	1
47	T811201112	Circuit board cover	1
48	T81105792	Screw 3,9x9,5	6
49	T822601075	Wiring diagram holder plate TK 1400	1
50	T813801009A	Emergency pushbutton TK 1400	1

GENIUS 1400-AUTOMATIC SWEEPER-CHASSIS ASSY

POS.	PART #	DESCRIPTION	QTY.
51	T813801008	Complete red pushbutton Ø 22	1
52	T821101064	Accelerator bushing	
53	T81105162	Screw TBCE 6x16 zb	1
54	T81105123	Nut M6	1
55	T81105303	Washer 6x12	1
56	T81180040	Relay	1
57	T82160051	Non-slip platform	1
	T821801035	WIRING FOR SOLENOID VALVE, DIESEL VERSION	1
		(SEE MACHINE WIRING DIAGRAM)	

GENIUS 1400-AUTOMATIC SWEEPER-HOPPER ASSY

**Genius 1400-
Hopper Assy.**



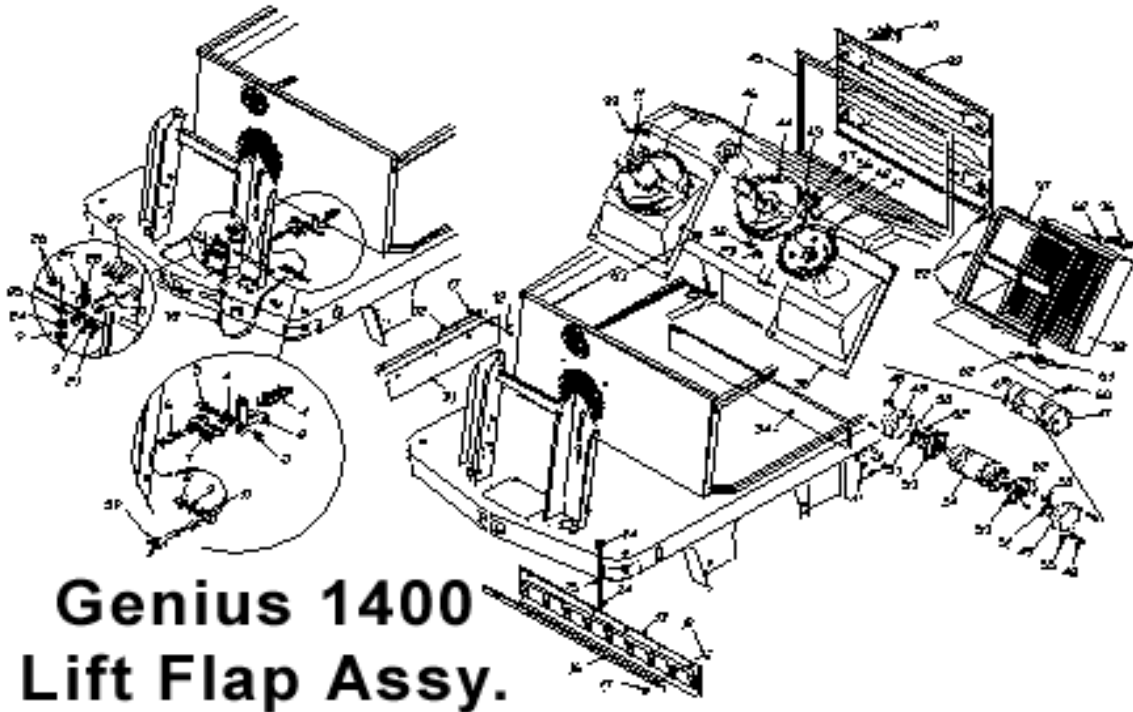
GENIUS 1400-AUTOMATIC SWEEPER-HOPPER ASSY

POS.	PART #	DESCRIPTION	QTY.
1	T81340004	Gearmotor 100.605	1
2	T81105463	Key uni 6606 3x3,7	1
3	T822601105	Worm screw support cover	1
4	T81390006	Bearing 6002 2RS	2
5	T81105792	Self tapping TC+ uni 6954 3.9x9.5 zb	4
6	T822601147	Micro-switch holder cam	1
7	T81105162	Screw 6x16	10
8	T821301016	Spacer TK 1400	2
9	T81105957	Screw TS CE uni 5933 8x16	2
10	T822501033	Worm screw for rotation of the rear bin	1
11	T822601104	Worm screw support for the bin TK1400	2
12	T81105506	Screw uni 5931 6x20 zb	7
13	T822301031	Pawl for the helical wheel TK 1400	1
14	T81380067	Micro-switch IP67 OMRON D2VW-5L2A-1M	4
15	T822601071	Galv. micro support plaque for the bin TK 1400	1
16	T81105777	Screw uni 5931 5x20	2

17	T821301013	Galv. spacer Ø 6x10x8	2
18	T81105405	Outer snap ring din 471 Ø 15	2
19	T821901003	Connecting rod for bin rotation TK 1400	1
20	T822501024	Helical gear wheel for bin rotation TK 1400	1
21	T81110002	Glicodur bushing 30x34x15	1
22	T822301038	Pin	1
23	T81105303	Washer uni 6592 6x12	18
24	T81105162	Screw 6x16	6
25	T81105783	Nut uni 5588 M5	2
26	T81105302	Washer uni 6592 5x10	4
27	T821301015	Arm spacer TK 1400	1
28	T81105134	Nut M8	2
29	T822301056	Left side pin for the pin TK 1400	1
30	T822601090	Galv. right hand arm TK 1400	1
31	T822601103	Bin rotation system cover	1
32	T81105160	Screw TE FR 6x10 zb	2
33	T821601016	Rear bin gasket TK 1400	1
34	T822301027	Pin on transmission side for the bin TK 1400	1
35	T81105303	Washer uni 6592 6x12	18
36	T821201051	Rear hopper TK 1400	1
37	T81105813	Plastic insert (nut screw)	6
38	T81105805	Self tapping screw TC+ uni 6954 3,5x14,5 zb	6
39	T821501021	Black flap lock for the bin TK 1400	1
40	T821601013	Rear bin flamp TK 1400	1
41	T81110003	Bushing GLYCODUR GLY.PG 25-28-25 F	2
42	T822601089	Bin lifting arm	1
43	T81105133	Low lock nut din 985 M6 zb	12
44	T81105130	Low nut 5589 M20x1.5 zb	1
45	T81400002	Rear bin lifting piston Ø.50-ST25-C280	1
46	T825001014	Delivery pipe 3/16" TK 1400 I.2140	1
47	T81105958	Dawty washer 1/8"	8
48	T812901009	Screw 1/8"	4
49	T825001015	Return pipe 3/16" TK1400 I.1720	1
50	T811051004	Fork complete with pin M20x15	1
51	T825001018	Dust-proof cover	1
52	T822301034	Right arm pin and cylinder TK 1400	2
53	T81105235	Screw TB CE iso 7380 6x20 zb	3
54	T81105325	Washer uni 6592 6x24	3
55	T822551002	Reduction	2
56	T82105002	WasherPVC 50x25x1,5	2

57	T821101059	Bronze bin lifting arm bushing TK 1400	2
58	T821601017	Bin rotation cable sheath	1
59	T822301033	Left side arm pin TK 1400	1
60	T81105512	Screw TCCE 5x10 zb	4
61	T813401003	Hydraulic power pack	1
62	T81110008	Bushing GLYCODUR GLY.PG 16x18x20 F	1
63	T822601100	Pump fixing bracket TK 1400	1
64	T81105793	Self tapping screw TC+uni 695 3,9x13	4
65	T822601114	Micro support TK 1400	1
66	T81105235	Screw TBCE 6X20	1
67	T81105137	Lock nut M6	1
68	T81105120	Nut M3	6
69	T81105068	Screw M3x20	4
70	T81105504	Screw M6x25	1
71	T822601199	Cable lug	1
72	T81105778	Screw M4x10	1
73	T81105532	Screw M8x10	2

GENIUS 1400-AUTOMATIC SWEEPER-FILTER/LIFT FLAP ASSY



GENIUS 1400-AUTOMATIC SWEEPER-FILTER/LIFT FLAP ASSY

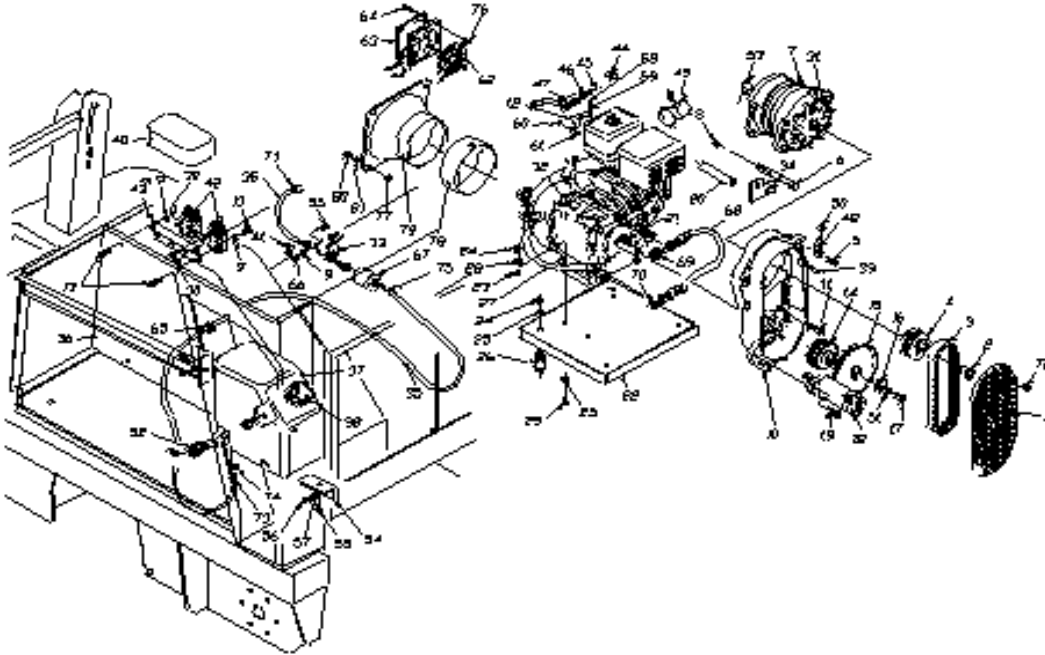
POS.	PART #	DESCRIPTION	QTY.
1	T822051010	Traction spring Ø23x3x105	1
2	T821901002	Butterfly opening driving lever TK 1400	1
3	T81105134	Block nut din 985 M8 basso zb	1
4	T821101058	Bushing	1
5	T81105065	Screw TE uni 5739 8x30	1
6	T821251011	Flap lifting cable	1
7	T811051100	Clamp for fork M6	3
8	T81105136	Block nut din 985 M12 zb	1
9	T81105306	Washer uni 6592 12x24	4
10	T822301013	Pivot	1
11	T81105324	Washer uni 6592 6x18	8
12	T81105813	Plastic insert (female screw)	10
13	T821601010	Front adjustable flap	1
	T821601036	Front adjustable flap	
14	T811051000	Fork	2
15	T822301030	Pin	1
16	T821501020	Front blocking-flap holder TK 1400	1
17	T81105805	Self tapping screw TC+ uni 6954 3,5x14,5 zb	10

GENIUS 1400-AUTOMATIC SWEEPER-FILTER/LIFT FLAP ASSY			
POS.	PART #	DESCRIPTION	QTY.
18	T821251021	Flap lifting sheathing	1
19	T81105229	Turned adjuster Ø 7	1
20	T822301009	Cable centering pivot	1
21	T81105420	Outer snap ring din 471 Ø 12	1
22	T81105227	Screw TSCE 6x12	8
23	T81105022	Screw uni 5739 5x10	4
24	T81105126	Nut uni 5588 M12	1
25	T822301003	Cable fixing pivot	1
26	T81125004	Clamp Ø 7 art. C7035	1
27	T81105482	Dowel uni 5923 6x5	4
28	T821101006	Bushing	1
29	T813201007	Pedal cover V1021	1
30	T822601151	Flap lifting pedal	1
31	T821601012	Side flaps TK 1400	1
32	T821501022	Side blocking-fllap holder TK 1400	1
33	T81105235	Screw TBCE 6x20	8
34	T821601011	Fixed backside flap	1
35	T821201171	Grey dashboard	2
36	T823101068	Unlooking filter handle	2
37	T822701008	Filter bearing frame	2
38	T82360012	Paper filter	2
	T82360013	Polyester filter	
39	T821201068	Fliter locking cover	1
40	T82300111	Complete locking TEK	4
41	T81290002	Fan Ø 200	2
42	T81105133	Block nut din 982 M6 zb	8
43	T81105235	Screw TB Ce iso 7380 6x20 zb	8
44	T821201053	Fan holder casing TK 1400	2
45	T821601018	Locking filter cover' gasket	1
46	T81340027	Motor Ø 77 24V	2
47	T82300396	Complete filter shaker electric motor 24V	2
48	T81105365	Self tapping screw TSP+ uni 6955 3.9x32 zb	8
49	T82120288	Filter shaker bulk' protection cover	4
50	T81105482	Dowel uni 5923 6x5	4
51	T82110045	Counterweight bushing for filter shaker	4
52	T81105781	Screw uni 5933 4x12 zb	12
53	T82150031	Filter shaker motor flange	4
54	T81340029	Motor Ø 63 24V G3800 W35	2

GENIUS 1400-AUTOMATIC SWEEPER-FILTER/LIFT FLAP ASSY			
POS.	PART #	DESCRIPTION	QTY.
55	T82160117	Wire fixing rubber pad	2
56	T81105324	Washer uni 6593 6x18x1,5	8
57	T81105303	Washer uni 6592 6x12	8
58	T81105323	Washer uni 6593 5x20x1,5	4
59	T81500017	Clamp	1
60	T81105559	Screw TSCE 10x16	2
61	T823101079	Unlooking filter handle	2
62	T81105220	Block nut M4	4
63	T813802007	Cable lug	2

GENIUS 1400-AUTOMATIC SWEEPER-MOTOR ASSY

Genius 1400-Motor Assy.



GENIUS 1400-AUTOMATIC SWEEPER-MOTOR ASSY

POS.	PART #	DESCRIPTION	QTY.
1	T822601236	Alternator belt guard TK1400	1
2	T821301017	Alternator pulley fixing nut TK 1400	1
3	T81330020	Toothed belt 565-5M-25-HTD	1
4	T822501034	Alternator pulley HTD40-5M-25-6F TK1400	1
5	T81105101	Screw TE 8X60	1
6	T81105524	Screw TE M10x160	1
7	T813401008	Alternator 28V-80A Ref.0986039340	1
8	T81105135	Tall lock nut M10	2
9	T81105303	Washer uni 6592 6x12	2
10	T822601235	Alternator support TK 1400	1
11	T81105499	Screw TS CE uni 5933 8x25 zb	4
12	T822601097	Galv. air-solenoid fixing bracket TK1400	1
13	T81105162	Screw TEFR 6x16	4
14	T822501037	Pulley for the HONDA 6.5HP engine TK1400	1
15	T822501025	Gear wheel for motor starting Z80-1.75 TK1400	1
16	T821501023	Gear locking washer	1
17	T81105821	Screw TS CE uni 5933 8x25 inox	1

GENIUS 1400-AUTOMATIC SWEEPER-MOTOR ASSY

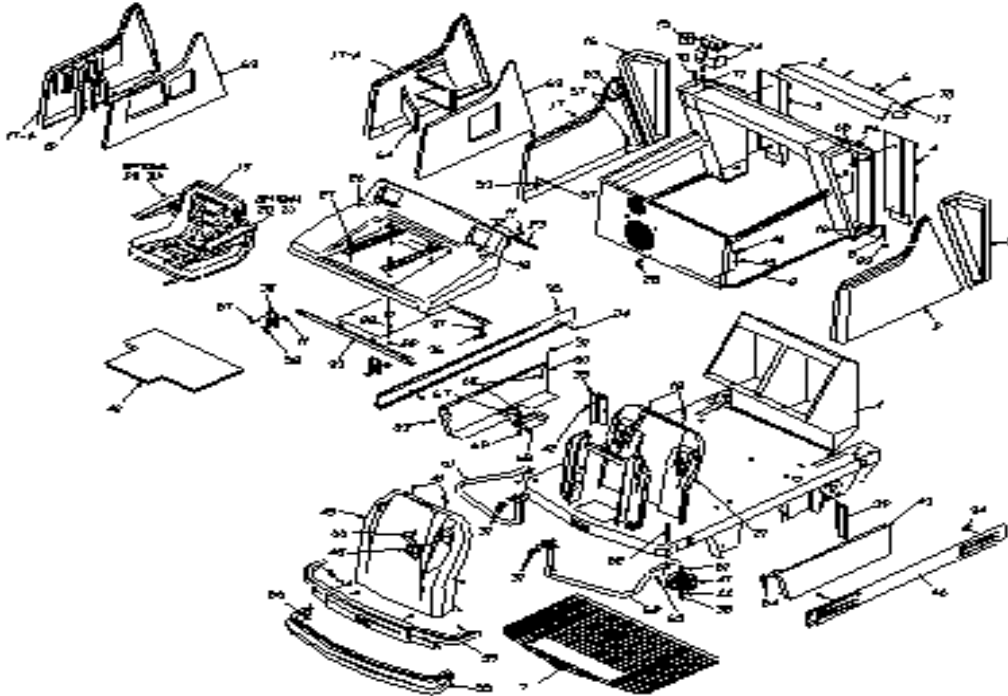
POS.	PART #	DESCRIPTION	QTY.
18	T813401006	Complete starter 24V-300W-SX	1
19	T81105563	Screw TCCE 8x30 zb	2
20	T821301023	Spacer for alternator	1
21	T821051002	Key 5x5x41	1
22	T822601079	Galv. motor support plate HONDA 6.5HP	1
23	T81105304	Washer uni 6592 8x17	8
24	T81105134	Low lock nut din 985 M8 zb	10
25	T81105326	Washer uni 6593 8x24x2,5	8
26	T81370011	Vibration damper MM 30x30 8x25	4
27	T81500001	Oil dipstick Gx270	1
28	T81105750	Spring washer uni 1751 8x14 zb	4
29	T81105059	Screw TE uni 5739 8x40	4
30	T81105133	Low lock nut din 985 M6 zb	2
31	T81290001	Alternator cooling fan with anti-clock. rotation	1
32	T81340035	Honda GX200-SX-4-OH engine	1
33	T813801015	Solenoid valve	1
34	T822601237	Bracket for oil pipe	1
35	T822701035	Fuel pipe for lead-free petrol	1
36	T822601081	Engine partition	1
37	T81120799	Fuel tank Lt. 5	1
38	T81120798	Fuel tank plug	1
39	T81105100	Screw TE 8X45	2
40	T821201076	Remote control switches' protection casing	1
41	T81500017	"ECO" hose clamp with 8 mm hole D.1 W0	5
42	T81380085		2
43	T822601101	Remote control switch holder bracket TK 1400	1
44	T821101057	Solenoid air motor beam-engine	1
45	T821901005	Solenoid belt TK 1400	1
46	T822051013	Solenoid spring TK 1400	1
47	T813801005	Solenoid K9B-36DL-1041	1
48	T81500019	Alternator belt tightener	1
49	T825001019	Silencer extension	1
50	T81105137	Tall lock nut M6	1
51	T81105308	Tapered washer DIN 6798 8x15	1
52	T823101121	Fuel level sensor	1
53	T823802007	Temperature sensor F11-140 NC	1
54	T822601010	Tank fixing bracket	2
55	T81105160	Screw TEFR M6X10	2

GENIUS 1400-AUTOMATIC SWEEPER-MOTOR ASSY

POS.	PART #	DESCRIPTION	QTY.
56	T81105512	Screw TCCE M5X10	2
57	T81105808	Washer 5x15	2
58	T81105816	Screw TCTC 3X5	2
59	T81105772	Spring washer	2
60	T81105817	Screw TCTC 3X12	1
61	T81105120	Tall lock nut M3	1
62	T81290008A	Fan protection gred	1
63	T81290008	Cooling fan	1
64	T82120288	Screw TCTC 4x16	8
65	T813801009	Cable lug	1
66	T81105123	Nut M6	2
67	T815001022	Fuel filter	1
68	T825001010	Oil pipe	1
69	T822551001	Nipples 1/4 - M10x1,25	1
70	T812551001	Cap	1
71	T81500012	Clamp	1
72	T81105023	Screw TEFR M5X12	5
73	T825001020	Hose fitting	1
74	T821601022	Gasket	1
75	T81500020	Clamp	5
76	T81105132	Block nut M4	8
77	T81105133	Low lock nut din 985 M6 zb	4
78	T821601015	Air-conveyor gasket TK 1400	1
79	T821201074	Gas engine air-conveyor TK 1400	1
80	T81105236	Screw TB CE iso 7380 6x16 zb	4
81	T81105324	Washer 6x18	4

GENIUS 1400-AUTOMATIC SWEEPER-EXTERNAL PARTS

Genius 1400-External Parts



GENIUS 1400-AUTOMATIC SWEEPER-EXTERNAL PARTS

POS.	PART #	DESCRIPTION	QTY.
1	T822701010	Grey frame TK 1400 RAL 7016	1
2	T821201101	Red left hand body side panel TK 1400	1
	T821201100	Grey left hand body side panel TK 1400	
3	T821201065	Left bearing rib TK 1400	1
4	T821201060	Rear left bumper TK 1400	1
5	T821201059	Rear right bumper TK 1400	1
6	T821201103	Upper ventilation guard TK 1400	1
7	T821601014	Footboard TK 1400	1
8	T81105305	Washer uni 6592 10x21	8
9	T822601072	Rear bin lifting stand TK 1400	1
10	T81105528	Screw TCCE uni 5931 10x40 zb	8
11	T81105133	Low lock nut din 985 M6 zb	6
12	T821601031	Sound-proofing panel (DIESEL VERSION)	1
	T821601032	Sound-proofing panel (DIESEL VERSION)	1
13	T81105819	Plastic insert	4
14	T823101119	Flashing light	2
15	T81180053	Lamp 25V /5W	2

GENIUS 1400-AUTOMATIC SWEEPER-EXTERNAL PARTS

POS.	PART #	DESCRIPTION	QTY.
16	T821201066	Right bearing rib	1
17	T821201109	Red right hand body side panel TK 1400 E	1
	T821201108	Grey right hand body side panel TK 1400 E	
	T821201084	Red right hand body side panel TK 1400 S	
	T821201085	Grey right hand body side panel TK 1400 S	
17A	T821201172	Red right hand body side panel TK 1400 S DIESEL	1
	T821201124	Grey right hand body side panel TK 1400 S DIESEL	
18	T81105236	Screw TB CE iso 7380 6x16 zb	6
19	T813201011	Seat SC7301.01.M4 TK 1400	1
20DX	T813201011DX	Right armrest kit for seat B7 SC74/M91	1
20SX	T813201011SX	Left armrest kit for seat B7 SC74/M91	1
21	T821201062	Front inside casing TK 1400	1
22	T81105134	Low lock nut din 985 M8 zb	4
23	T82300408	Handle	2
24	T86911123	'Petrol' label	1
	T86911126	'Diesel' label	
25	T81105235	Screw TB CE iso 7380 6x20 zb	8
	T821201067	Upper motor-hood, red TK 1400	
	T821201082	Upper motor-hood, grey TK 1400	
26	T821201113	Upper motor-hood, red TK 1400 DIESEL	1
	T821201123	Upper motor-hood, grey TK 1400 DIESEL	
27	T81105064	Screw TE uni 5739 8x16	4
28	T81105326	Washer uni 6593 8x24x2,5	8
29	T81105135	Lock nut din 985 M10 zb	8
30	T813201004	Marbett hinge with diam. 6 holes	2
31	T81105162	Screw 6x16 zb	9
32	T81105303	Washer uni 6592 6x12	8
33	T822701011	Galvanised seat holder frame TK 1400	1
	T822701013	Galvanised seat holder frame TK 1400	
34	T81105555	Screw uni 5931 8x16 zb	4
35	T821201057	Rightside bumper TK 1400	1
36	T81370012	Vibration damper,	2
37	T81105123	Nut uni 5588 M6	2
38	T81105135	Block nut din 985 M10 zb	2
39	T822601087	Galvanised door hinge TK 1400	2
40	T821601035	Sound-proofing panel (DIESEL VERSION)	1
41	T81105236	Screw TB CE iso 7380 6x16 zb	4
42	T81105160	Screw TE FR 6x10	6

GENIUS 1400-AUTOMATIC SWEEPER-EXTERNAL PARTS

POS.	PART #	DESCRIPTION	QTY.
43	T822601074	Leftside door TK 1400	1
44	T81105305	Washer uni 6592 10x21	2
45	T81105324	Washer 6x18x1,5	4
46	T821201058	Grey left hand bumper TK 1400	1
47	T81250056	Wheel Ø 150x45 Ø15	2
48	T821801058	Single spotlight TK 1400	2
49	T821201061	Front red external casing TK 1400	1
	T821201083	Front grey external casing TK 1400	
50	T822601073	Right hand door TK 1400	1
51	T81110006	Buffer wheel bushing	2
52	T81105529	Nut TCCE 10x70	2
53	T81105162	Screw TE FR 6x16	1
54	T81320018	Hand-wheel Ø 30 M6x15	1
55	T821201077	Front spoiler TK 1400	1
56	T81105794	Self tapping screw 3,9X16 zb	6
57	T81105506	Screw TCCE 6X20	12
58	T81105516	Screw TCCE 6X25	4
59	T821201056	Front bumper TK 1400	1
60	T81105133	Low locknut M6	6
61	T825001403	Front yellow right hand galv. bumper TK 1400	1
62	T825001404	Front yellow left hand galv. bumper TK 1400	1
63	T821601019	Thermal reflector	1
	T821601027	Sound-proofing panel (DIESEL VERSION)	
64	T821601020	Conveyor thermal reflector panel	1
65	T81105181	Screw TEFR 8x16zb	6
66	T81180057	Lamp 12V 35/35W	1
67	T822051016	Spring	2
68	T822601106	Right hand side door guard 1400	1
69	T81105510	Screw TE 6x30	2
70	T81105805	Screw 3,5x14,5	4



Warranty Policy

Limited Warranty

Eagle Power Products (EPP) warrants new cleaning equipment against defects in material and workmanship under normal use and service to the original purchaser as detailed below.

10 Years

Subject to the conditions stated below, EPP warrants polyethylene tanks and housings to be free from defects in materials and workmanship for a period of ten years.

3 Years

Subject to the conditions stated below, EPP warrants all automatic scrubber components to be free from defects in materials and workmanship for a 3-year period. Parts replaced or repaired are warranted for the remainder of the original warranty period.

1 Year

Subject to the conditions stated below, EPP warrants all other cleaning equipment components to be free from defects in materials and workmanship for a 1-year period. Parts replaced or repaired are warranted for the remainder of the original warranty period. Batteries are prorated for one year.

EPP will furnish and charge for replacement parts, including transportation, to the original owner through an EPP authorized service center. If the part is returned within 30 days and is found defective, the owner will be credited for the cost of the replacement part including shipping and handling.

Labor charges are covered for one year from the date of purchase if provided by an authorized EPP service center. Travel is covered for 90 days for battery operated equipment only.

Wear items exempt from warranty include belts, carbon brushes, power cords, wheels, pad drivers, clutch plates, brushes, pads, handle grips, filters, screens, throttle cables, and squeegees.

This warranty shall not apply to failures caused by misuse or abuse, improper maintenance as stated in the operation manuals, use of unauthorized repair parts, repairs by other than an EPP authorized service center, and damage in transit.

EPP disclaims and denies any liability for any direct, indirect, special incidental or consequential damage which may be suffered as a result of sale, delivery, servicing, use, loss of any product, downtime, labor, freight, or other charges not expressly included herein.

Date Purchased: _____

Model Number: _____

Serial Number: _____

Please be sure to record this information. This information will be necessary for future warranty claims.



1174 Northland Drive Mendota Heights, MN 55120
651.686.5399 Fax 651.686.5695
www.eaglepower.com

Eagle Power Products Sales and Service Provided by: