



## Electronic Service Manuals

This electronic document is provided as a service to our customers. We do not create the contents of the information contained in this document. Should you have detailed questions pertaining to the information contained in this document, you may contact Michco, or the manufacturer which provided the original information in this electronic deliverable. Michco's only part in this electronic deliverable was the electronic assembly process. By providing this manual on line we are not guaranteeing parts availability.

You may contact Michco through the following methods:

Phone (517) 484-9312 or (800) 331-3339

2011 N. High St. -- Lansing, Michigan -- 48906

Fax: (517) 484-9836

Email: [CustServe@Michco.com](mailto:CustServe@Michco.com)

Web site: [www.Michco.Com](http://www.Michco.Com)

Parts Web site: [www.FloorMachineParts.Com](http://www.FloorMachineParts.Com)

Order Parts on Line at:

**[www.FloorMachineParts.Com](http://www.FloorMachineParts.Com)**

Directly to Parts & Service:

By Email: **[Shop@Michco.com](mailto:Shop@Michco.com)**

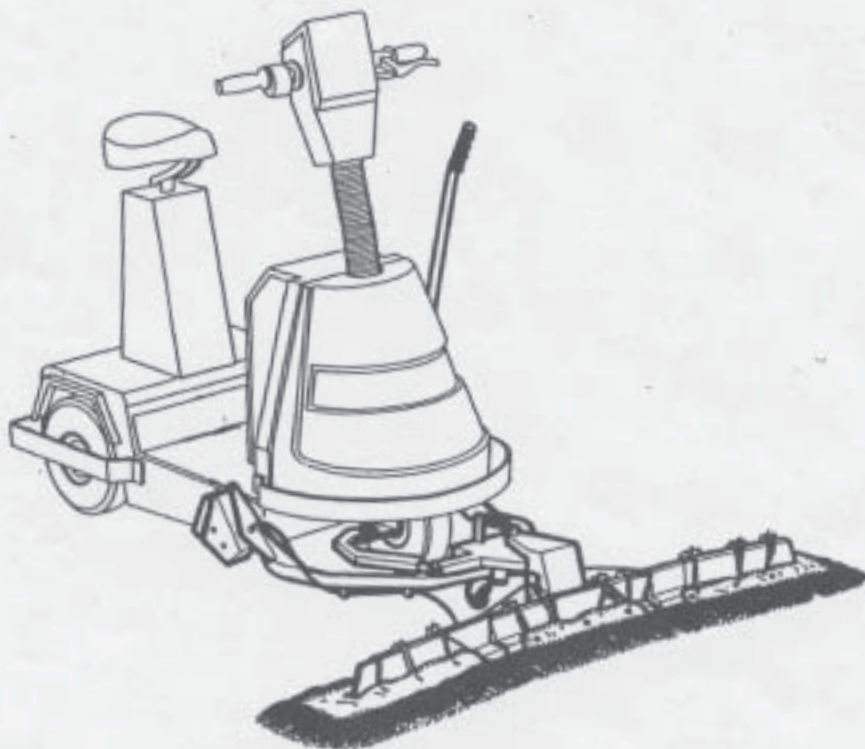
By Fax: (517) 702-2041

By Voice: Use numbers above.

**Serving the Cleaning Industry Since 1922**

Notice: All copyrighted material remains property of original owners, all trademarks are property of respective owners. Manuals are subject to Manufacturer's reproduction limitations. Originals or reproductions were provided by manufacturers through a request. We make no warranty as to the correctness of information provided in this document and you assume all risk. By placing these manuals on line we are not declaring our corporation to be an manufacturer authorized dealer or provider, please check our web site for authorized manufacturers we represent.

**SPARE PARTS LIST  
LISTE PIECES DETACHEES  
ERSATZTEILLISTE  
MANUAL DE REPUESTOS  
DISTINTA RICAMBI**



**mod. MOP 130**

**KIT SY 2 - 24 - SY 2 - 25**

OPTIONAL ACCESSORIES  
ACCESSOIRES OPTIONNELS  
SONDERZUBERHÖRTEILE  
ACCESORIOS OPCIONAL  
ACCESSORI OPTIONAL



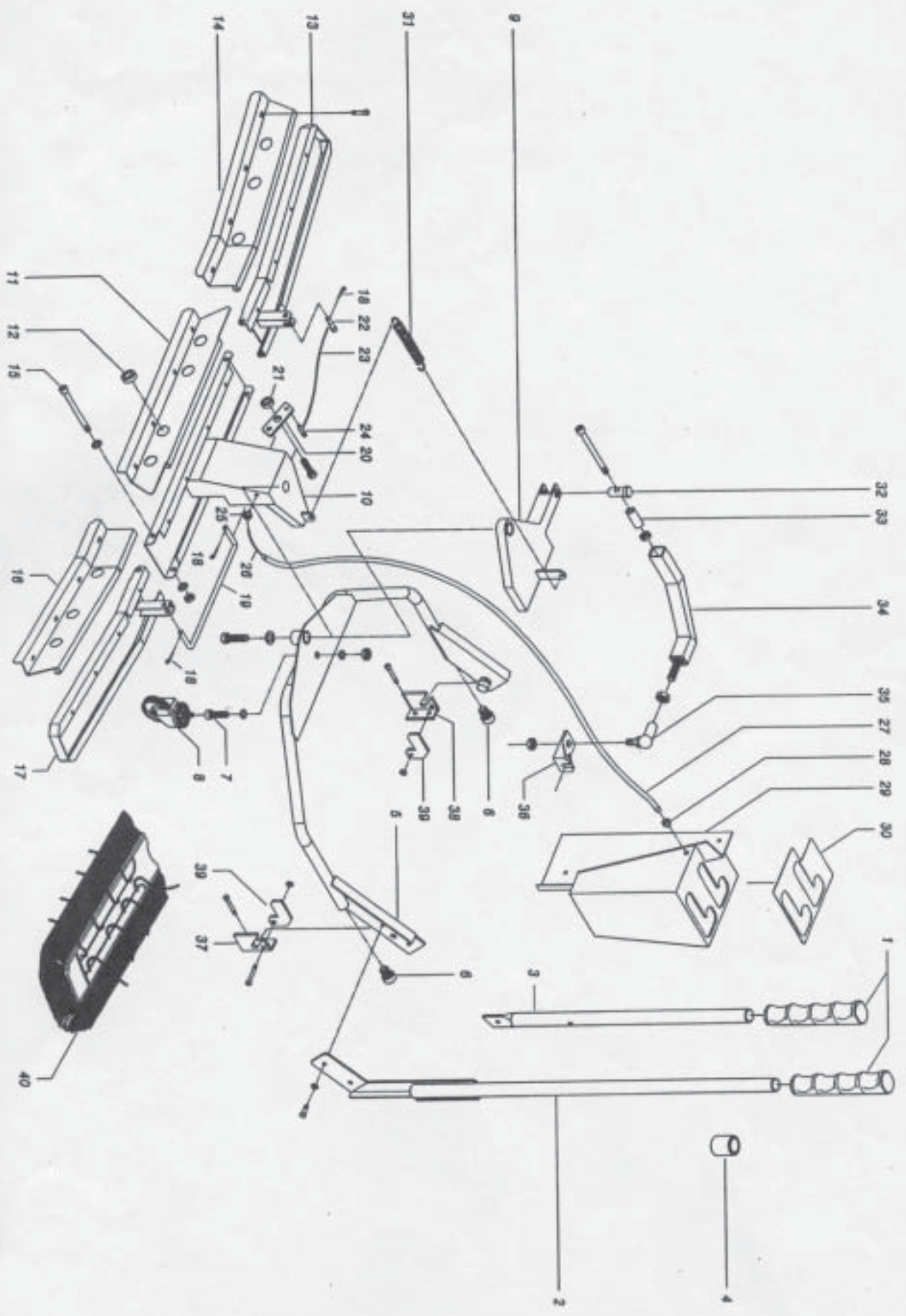
 **portotecnica**

TABLE N° :  
07 01996 000

DESCRIPTION :  
KIT SY 2-24 M.MOP 130 T.25

# EXPLODED VIEW

DATE :  
29.11.00



07 01996 000

KIT SY 2-24 MOD.MOP 130 T.250

## SPARE PARTS LIST

DATE :  
29.11.00

REF. CODE KIT	QTY	DESCRIPTION	DENOMINATION	BESCHREIBUNG	DESCRIPCION	DESCRIZIONE	TECHNICAL FEATURES	NOTES
1 30217	2	KNOB	POIGNEE	VERSTELLGRIF	MANOPLA	MANOPOLA	D. 20 L=115 MOP	
2 42960	1	CONTROL LEVER	LEVIER CONTROL	STEUERUNG HEBEL	PALANCA MANDO	LEVA COMANDO	MOP 130 ZV.	
3 42976	1	LEVER	LEVIER	HEBEL	PALANCA	LEVA	M.MOP 130 ZV.	
4 43429	2	BUSHING	DOVILLE	BUCHE	MANGUITO	BOCOCCA	D. 20X22X30 A.LUB. IGL.G	
5 42963	1	TUBULAR FRAME	CHASSIS TUBOL.	ROHRGEB. FAHRG.	CEASIS TUBULAR	TELAIO TUBOLARE	MOP 130 ZV.	
6 03082	2	PROD	EMBOUT	SPITZE	PUNTA	PUNTALE	D.20 L.02.117	
7 30550	1	EXTENSION	BALLONGE	VERLÄNGERUNG	PROLONGACION	PROLUNGA	M10-M 8 MOP 130	
8 30144	1	TURNING WHEEL	ROUE PIVOTTANTE	DREHBADES RAD	RUEDA	RUOTA PIVOTTAN.	D. 50 M 8	
9 34142	1	PLATE	PLAQUE	PLATTE	SOPORTE	PIASTRA	MOP 130	
10 42969	1	SLIDE	FATIN	GLEITFUHRUNG	FATIN	PATTINO	MOP 130 ZV.CT	
11 30155	1	SUPPORT PLATE	PLAQUE SUPPORT	PLATTE HALTER	SOPORTE	PIASTRA SUPP.	MOP 130	
12 00248	10	FAIR-LEAD	PASSAGE P. FIL	DRAHTGURCHEN	PASEILO	PASSAFILO	D.15-22	
13 42982	1	SLIDE	FATIN	GLEITFUHRUNG	FATIN	PATTINO	MOP 130 DE ZV.	
14 30161	1	SUPPORT PLATE	PLAQUE SUPPORT	PLATTE HALTER	SOPORTE	PIASTRA SUPP.	MOP 130 DE	
15 30219	2	SCREW	VIS	SCHRAUBE	TORNILLO	VITE	TCEI M 6X110 UNI 5931	
16 30163	1	SUPPORT PLATE	PLAQUE SUPPORT	PLATTE HALTER	SOPORTE	PIASTRA SUPP.	MOP 130 SX	
17 30159	1	SLIDE	FATIN	GLEITFUHRUNG	FATIN	PATTINO	MOP 130 SX	
18 13514	3	SPLIT PIN	GOUPILE	SPLINT	CLAVETA	COPIGLIA	D. 2X20 UNI 1336	
19 42972	1	CONTROL ROD	TIGE D.CONTROLE	KONTROL. STANGE	VARILLA D.CONT.	ASTA COMANDO	M.MOP 130 ZV.	
20 42974	1	LEVER	LEVIER	HEBEL	PALANCA	LEVA	M.MOP 130 ZV.	
21 42957	1	SPACER	ENTRETOISE	DISTANZSTÜCK	SEPARADOR	DISTANZIALE	D. 9-12 L= 4.5 INX	
22 30221	1	PLUG	GOUPILE	STIFT	PASADOR	SPINA	MOP 130	
23 43035	1	CORD	CORDE	KLEINB.	CUERDA	CORDA	D.2,5 X 240	
24 13590	2	CLAMP	BORNE	KLEBNE	PRES. SUJECION	MORSETTO	V7 8X11 M5 LOGY 700	
25 28091	1	SOLID BOX	FOURSEAU	HULSE	BRUJULA	BUSSOLA	D. 9,7X15 - D.5F D.3	
26 30148	1	CORD	CORDE	KLEINB.	CUERDA	CORDA	D. 2.5 L=1360	
27 30147	1	SHOATH	GAINE	MANTEL	VALINA	GUAINA	3,5X8 L.1050 MOP 130	
28 30150	1	REGISTER	REGLEUR	KLAPPE	REGISTRO	REGISTRO	CH.12X 8MAX35 D.5	
29 42988	1	CONTROL COVER	PROTEC.CONTROLE	STEUERUNGSSCH.ck.	TAPA MANDOS	SCATOLA COPRIC.	MOP 130 ZV.	
30 43165	1	LABEL	ETICHETTE	ETICHETTE	ETIQUETA	ETICHETTA	MOP II T.250 PVC R	
31 30145	1	SPRING	RESSORT	FEDER	MUELLE	MOLLA	D. 20.5 X85- X2.5 MOP	
32 34140	1	PIN	PIVOT	TAPFEN	PERNO	PERNO	MOP 130	

TABLE N° :  
07 01996 000DESCRIPTION :  
KIT SY 2-24 MOD.MOP 130 T.250

## SPARE PARTS LIST

DATE :  
29.11.00

REF. CODE KIT	QTY	DESCRIPTION	DENOMINATION	BESCHREIBUNG	DESCRIPCION	DESCRIZIONE	TECHNICAL FEATURES	NOTES
33 34138	1	SPACER	ENTRETOISE	DISTANZSTÜCK	SEPARADOR	DISTANZIALE	D. 10-12 L= 31 INX	
34 34137	1	LEVER ARM	LEVIER	ARM	BRASO	BRACCETTO	MOP 130	
35 34040	1	ARTICULATION	JOINT A ROTULES	GELINK	SNODO	SNODO	AS MS	
36 34135	1	BRACKET	ETRIER	BOGEL	GRAPA	STAFFA	MOP 130	
37 30133	1	PLATE	PLAQUETTE	PLATTCHEN	SOPORTITO	PIASTRINA	MOP 130 SX	
38 30131	1	PLATE	PLAQUETTE	PLATTCHEN	SOPORTITO	PIASTRINA	MOP 130 DX	
39 30135	2	HOOK	CHOCHET	HAKEN	GANCIO	GANCIO	MOP 130	
40 30048	1	MOP	MOP	MOP	MOP	MOP	130 Ca	

TABLE N°:

07 01997 000

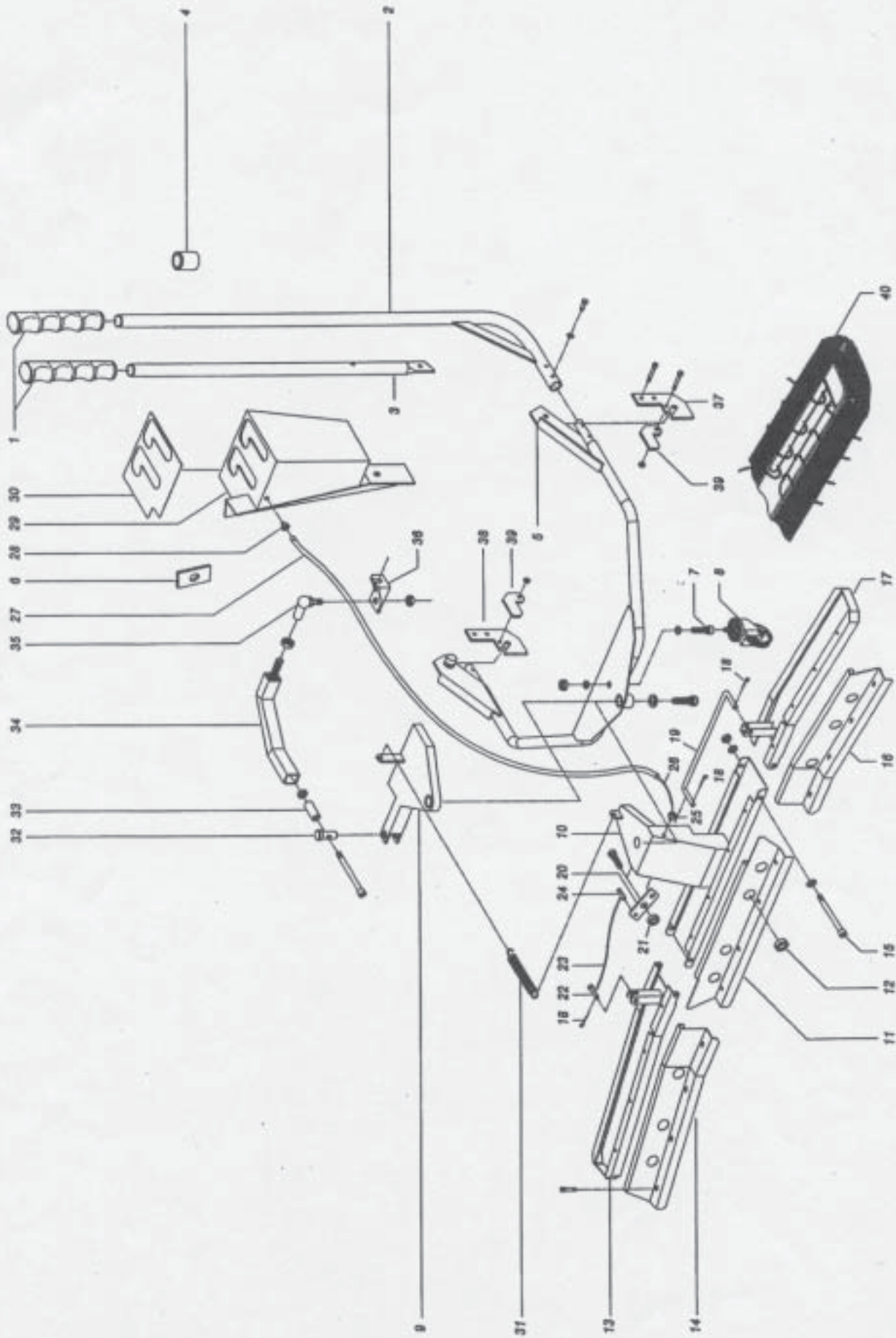
DESCRIPTION :

KIT SY 2-25 M.MOP 130 T.50

# EXPLODED VIEW

DATE :

29.11.00





# KIT SY 2 - 10

ISTRUZIONI PER MONTAGGIO - ASSEMBLY INSTRUCTION

