



## Electronic Service Manuals

This electronic document is provided as a service to our customers. We do not create the contents of the information contained in this document. Should you have detailed questions pertaining to the information contained in this document, you may contact Michco, or the manufacturer which provided the original information in this electronic deliverable. Michco's only part in this electronic deliverable was the electronic assembly process. By providing this manual on line we are not guaranteeing parts availability.

You may contact Michco through the following methods:

Phone (517) 484-9312 or (800) 331-3339

2011 N. High St. -- Lansing, Michigan -- 48906

Fax: (517) 484-9836

Email: [CustServe@Michco.com](mailto:CustServe@Michco.com)

Web site: [www.Michco.Com](http://www.Michco.Com)

Parts Web site: [www.FloorMachineParts.Com](http://www.FloorMachineParts.Com)

Order Parts on Line at:

**[www.FloorMachineParts.Com](http://www.FloorMachineParts.Com)**

Directly to Parts & Service:

By Email: **[Shop@Michco.com](mailto:Shop@Michco.com)**

By Fax: (517) 702-2041

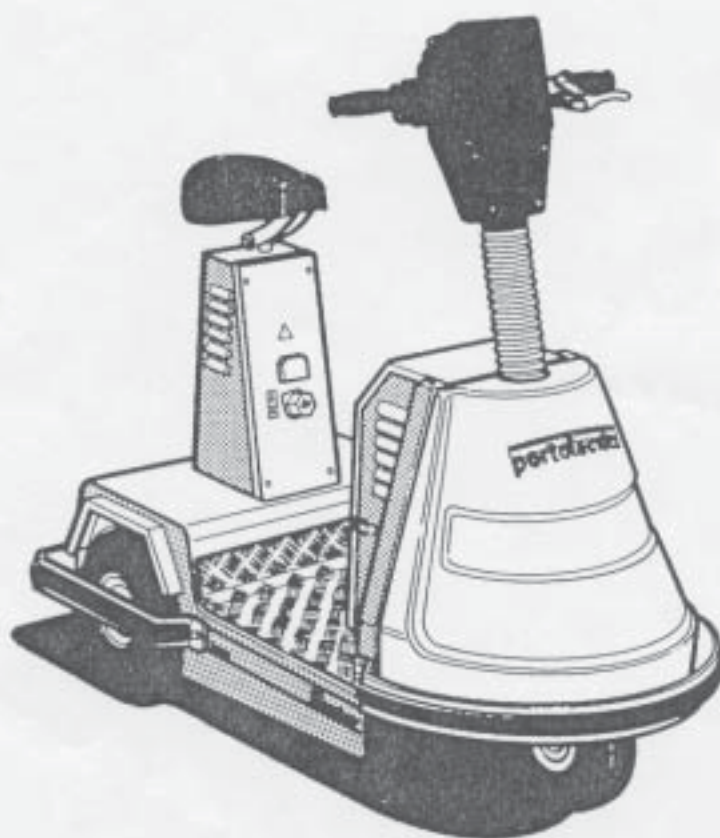
By Voice: Use numbers above.

**Serving the Cleaning Industry Since 1922**

Notice: All copyrighted material remains property of original owners, all trademarks are property of respective owners. Manuals are subject to Manufacturer's reproduction limitations. Originals or reproductions were provided by manufacturers through a request. We make no warranty as to the correctness of information provided in this document and you assume all risk. By placing these manuals on line we are not declaring our corporation to be an manufacturer authorized dealer or provider, please check our web site for authorized manufacturers we represent.

SPARE PARTS LIST  
LISTE PIECES DETACHEES  
ERSATZTEILLISTE  
MANUAL DE REPUESTOS  
DISTINTA RICAMBI

~~1000~~  
~~1000~~  
~~1000~~



**TIGER**

**250G**

ELECTRICAL VEHICLES  
VEHICULES ELECTRIQUES  
ELEKTROFAHRZEUGE  
VEHICULOS ELECTRICOS  
VEICOLI ELETTRICI

TABLE N° :  
07 01426 005

DESCRIPTION :  
OVERALL TIGER 250G AT

# EXPLODED VIEW

DATE :  
4.03.98

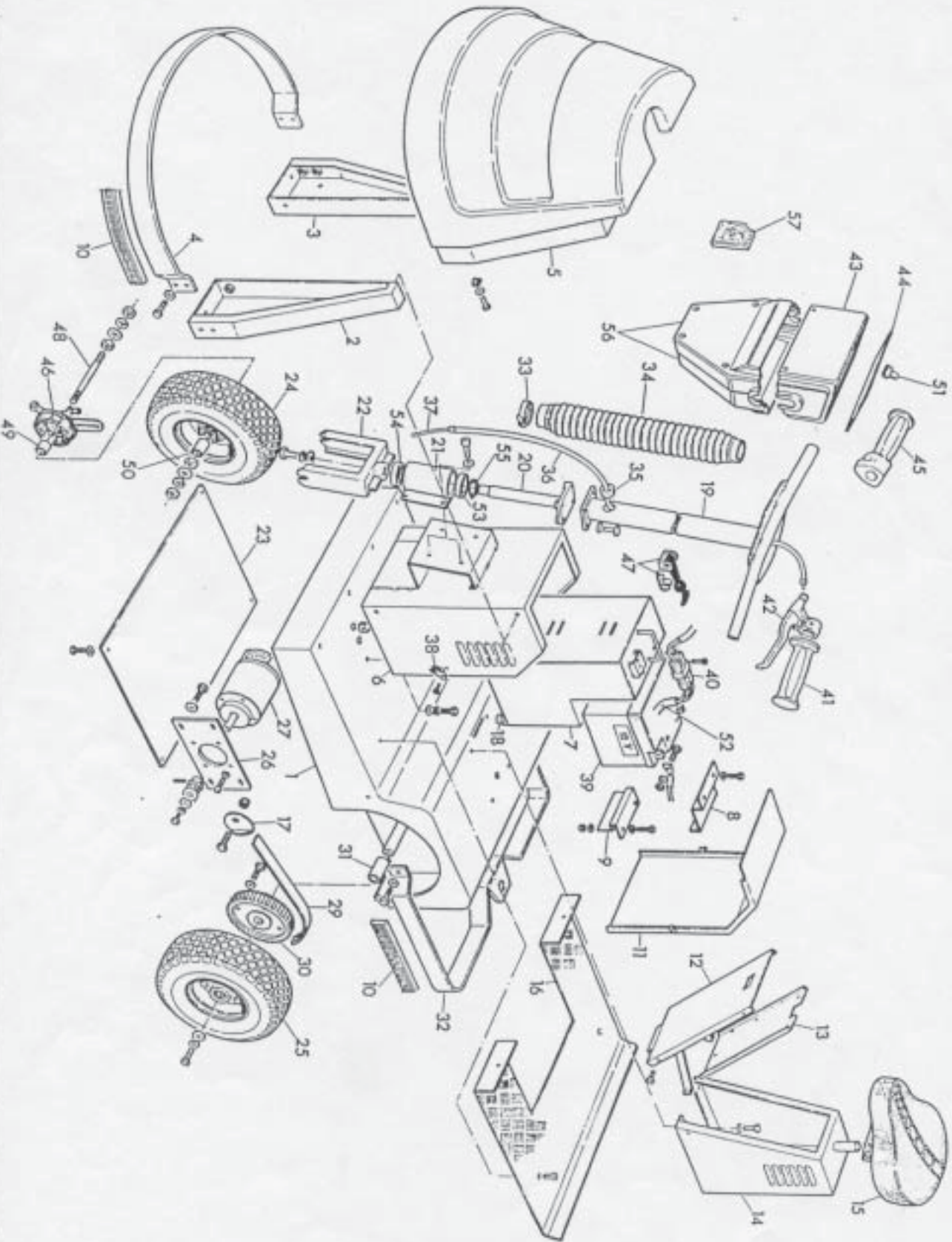


TABLE N° : 07 01426 005		DESCRIPTION : OVERALL TIGER 250G AT		SPARE PARTS LIST				DATE : 4.03.98	
REF.	CODE KIT	QTY	DESCRIPTION	DENOMINATION	BESCHREIBUNG	DESCRIPCION	DESCRIZIONE	TECHNICAL FEATURES	NOTES
1	29833	1	BODY	COQUE	KAROSSEKORP.	CUERPO	SCOCOA	TIG.200	
2	29840	1	BOX SUPPORT	SUPPORT BOITE	KASTENHALTER	SOPORTE CAJITA	SUPP.VANO BATT.	TIG.200 SX	
3	29838	1	BOX SUPPORT	SUPPORT BOITE	KASTENHALTER	SOPORTE CAJITA	SUPP.VANO BATT.	TIG.200 SX	
4	29845	1	ANT.BUMPER	PARE CHOC ANT.	STOSSDAMPFER	P.CHOQUES ANT.	PARAURTI ANT.	TIG.200	
5	36018	1	HOOD	CAPOT	HAUSE	COPRE	COFANO	TIG.200 ABS	
6	29800	1	BATTERY BOX	BOITE BATTERIE	BATTERIE KASTEN	CAJITA FILETTA	CASSETTA BATT.	TIG.200	
7	29868	1	BATTERY SUPPORT	SUPPORTBATTERIE	HALTER BATTERIE	PORTABATERIA	PORTABATTERIA	TIG.200	
8	29870	1	BATT.BRACKET	ETRIER BATTERIE	BATTERIEHUEL	GRAPA FILETTA	FERMA BATTERIE	TIG.200 SUP.	
9	29872	1	BATT.BRACKET	ETRIER BATTERIE	BATTERIEHUEL	GRAPA FILETTA	FERMA BATTERIE	TIG.200 INF.	
10	30857	1	BUMPER	PARE-CHOC	STOSSDAMPFER	PARACHOQUES	PARAURTI	31 X 13 IPDM	
11	29803	1	BOX COVER	COUVERCLE BOITE	KASTENDECKEL	TAPA CAJITA	COPERCHIO CASS.	TIG.200	
12	33060	1	LID	COUVERCLE	DECKEL	TAPA	COPERCHIO	TIG.200	
13	33061	1	JUNCTION BOARD	TABLEAU TERM.	KLEMMEN BRETT	PLACA BORNES	STAFFA COMP.EL.	TIG.200	
14	33065	1	SADDLE SUPPORT	SOPORTE SELLE	SATTEL HALTER	SOPORTE SILLIN	SUPPORTO SELLA	TIG.200 2.V	
15	29848	1	SADDLE	SELLE	SATTEL	SILLIN	SELLA	PU 298260	
16	29842	1	PLANE	MARCHEPIED	FUSSBRETT	TARIMA	FEDANA	TIG.200 AL	
17	34349	2	BELT-STRETCHER	TENSUR COUR.	RIEMENSPELLER	TENSOR	TENDICINGHIA	D. 12-80 INX	
18	34061	4	VIBRATION DAMP.	AMORTISSEUR	SCHWINGUNGSDAMP.	ANTIVIBRANTE	ANTIVIBRANTE	CL.25X17- IMX12 600G NBR	
19	36037	1	UP STEERING	TUBE DE DIRECT.	LENKSAULE	PLANTON SUP.	PIANTONE SUP.	TIG. 2.V	
20	29917	1	LOW STEERING	TUBE DE DIRECT.	LENKSAULE	PLANTON INF.	PIANTONE INF.	TIG.300	
21	35787	1	SUPPORT	SUPPORT	HALTER	SOPORTE	SUPPORTO	TIGER	
22	29806	1	WHEEL SUPPORT	SUPPORT ROUE	RAD HALTER	SOPORTE RUEDA	SUPPORTO RUOTA	D.260X 85 TIG.	
23	34145	1	PANEL	PANNEAUX	TAFEL	PANEL	PANNELLO	TIG. 250	
24	34988	1	WHEEL	ROUE	LAUFRAD	RUEDA	RUOTA LIBERA	D.260-0.12X 85 PIE.AT. TB	
25	34989	2	WHEEL	ROUE	LAUFRAD	RUEDA	RUOTA LIBERA	D.260-0.20X 85 PIE.AT. CU	
26	38043	1	MOTOR PLATE	PLAQUE P.MOTEUR	MOTORPLATTE	SOPORTE MOTOR	PIASTRA F.MOT.	TIG.250 SX	
26	38045	1	MOTOR PLATE	PLAQUE P.MOTEUR	MOTORPLATTE	SOPORTE MOTOR	PIASTRA F.MOT.	TIG.250 DX	
27	34041	2	TRACTION MOTOR	MOTEUR TRACTION	TRACTION MOTOR	MOTOR TRACCION	MOTORE TRAZIONE	CC MP 24V 200W 1500G +PL	
29	35802	2	BELT	CORBOIE	RIEMEN	CORREA	CINGHIA	HYD 525-58 25	
30	35804	2	PULLEY	FOULIE	RIEMENSCHLEIBE	POLEA	POLEGGIA	HYD 72.58 25 D.30	
31	29524	2	SPACER	ENTRETOISE	DISTANZSTUCK	SEPARADOR	DISTANZIALE	D. 25-21 L-37	
32	29847	1	BACK BUMPER	PARECHOC PST.	STOSSDAMPFER	P.CHOQUES PST.	PARAURTI POST.	TIG.200	

TABLE N° : 07 01426 005		DESCRIPTION : OVERALL TIGER 250G AT		SPARE PARTS LIST				DATE : 4.03.98	
REF.	CODE KIT	QTY	DESCRIPTION	DENOMINATION	BESCHREIBUNG	DESCRIPCION	DESCRIZIONE	TECHNICAL FEATURES	NOTES
33	01874	1	CLAMP	COLLIER	SCHELLE	ARRAJADERA	FASCETTA	LG 31516 9 X260 M	
34	35714	1	PROTECTOR	PROTECTION	BOHRSCHUTZ	PROTECCION	GOFFIRTO	D. 55-50X230	
35	17362	1	FAIR-LEAD	PASSAGE P.CABLE	KABELDURCHGANG	PASACABLE	PASSACAVO	D.25	
36	29816	1	SHEATH	GAINE	MANTEL	VAINA	GUAINA	VIPLAST L-1360 3 E6	
37	29817	1	CORD	CORDE	KLEIN	CUERDA	CORDA	D. 2 L-1800	
38	29801	2	CLOSURE	FERMETURE	VERSCHLUSS	CIERRE	CHIUSURA	L- 40 X15	
39	29876	2	BATTERY	BATTERIE	BATTERIE	FILETTA	BATTERIA	38 AH 12V 8C P.GEL	OPTIONAL ACC.
40	07039	1	PLUG	GOUPILLE	STIFT	PASADOR	SPINA	E120	
41	29814	1	KNOB	POIGNEE	VERSTELLGRIF	MANOPLA	MANOPOLA	D. 22 L-124	
42	29815	1	CONTROL LEVER	LEVIER CONTROLE	STEUERUNG HEDEL	PALANCA MANDO	LEVA COMANDO	D. 22 + STZ.	
43	33115	1	INSTR.PANEL	TAB. DE BORD	ARM.BRETT	CRUSCOTTO	CRUSCOTTO	L.9000 - TIG. 2.V PP	
44	36075	1	LABEL	ETIQUETTE	ETIQUETTE	ETIQUETA	ETICHETTA	TIG. 200/250 PLC	
45	31306	1	KNOB	POIGNEE	VERSTELLGRIF	MANOPLA	MANOPOLA	D.22 DE TIGER 300	
46	31164	1	BLOCK BRAKE	SABOT DE FREIN	REHMSPLOTZE	CEPA FRENO	CEPPO FRENO	R D. 90-8.17 SX TIG2	
47	03765	1	HOOK	CROCHET	HAKEN	GANCIO	GANCIO	L-67	
48	33596	1	WHEEL PIN	PIVOT ROUE	RADAPFEN	FERMO RUEDA	FERMO RUOTA	D.12 L-156 20X12	
49	34857	1	SPACER	ENTRETOISE	DISTANZSTUCK	SEPARADOR	DISTANZIALE	D. 13-16 L- 13.5	
50	34859	1	SPACER	ENTRETOISE	DISTANZSTUCK	SEPARADOR	DISTANZIALE	D. 13-16 L- 20.5	
51	34121	1	COWLING	COIFFE	EAUSE	COFFA	CUFFIA	T 115	
52	32559	1	WIRING	CABLAGE	VERKABELUNG	CABLES	CABLAGGIO	BATT. T.200	
53	09662	1	BALL BEARING	ROULEM.A BILLES	KUGELLAGER	COJINE.DE BOLAS	CUSCIN.A SFERE	6205-22	
54	35782	1	BALL BEARING	ROULEM.A BILLES	KUGELLAGER	COJINE.DE BOLAS	CUSCIN.A SFERE	7205 SE	
55	09655	1	CIRCLIP	BAGUE D'ARRET	DRIFTSFREMGRING	BRANDELA MUELGE	ANELLO ELASTICO	D. 25 UNT 7435	
56	33116	2	HALF BEARING	DEMI-COQUE	HALBSCHALE	SEMIFUNDA	SEMIGUSCIO	PP 2.V	
57	38915	1	LANTERN	FANAL	LAMPE	FAROL	FANALE	CORSO ORANGE	



TABLE N° :		DESCRIPTION :					SPARE PARTS LIST		DATE :	
04 00351 034		TIGER 250G 230V 50/60HZ							4.03.98	
REF. CODE	KIT	Q.TY	DESCRIPTION	DENOMINATION	BESCHREIBUNG	DESCRIPCION	DESCRIZIONE	TECHNICAL FEATURES	NOTES	
B	29876	2	BATTERY	BATTERIE	BATTERIE	PILETTA	BATTERIA	36 AH 12V DC P.GEL	OPTIONAL ACC.	
H	38917	1	LAMP	AMPOULE	LAMPE	LAMPARA	LAMPADA	24V 10W SF.		
M	34041	2	TRACTION MOTOR	MOTEUR TRACTION	TRAKTION MOTOR	MOTOR TRACCION	MOTORE TRAZIONE	CC MP 24V 200W 1500G +PL	M1, M2	
CR	30113	1	BATTERY-CHARGER	CHARGEUR BATT.	LADGERAT	CARGADOR	CARICABATTERIA	TG.200 10A 24V	RF. TR+EC2	
F1	31185	1	FUSE	FUSIBLE	ABSCHMEL. HEHRUNG	FUSIBLE	FUSIBILE	3 A VL.		
F2	31121	1	FUSE	FUSIBLE	ABSCHMEL. HEHRUNG	FUSIBLE	FUSIBILE	5 A BEIGE		
F3	31123	1	FUSE	FUSIBLE	ABSCHMEL. HEHRUNG	FUSIBLE	FUSIBILE	60A LML.		
IG	30416	1	SWITCH	INTERRUPTEUR	SCHALTER	INTERRUPTOR	INTERRUTTORE	SADI 8328		
J5	37626	1	BUTTON	INTERRUPTEUR	SCHNACKENOPF	FULSADOR	FULSANTE	ON-OFF INST. TIG.	FROM K.214.586	
FE	32516	1	SWITCH	INTERRUPTEUR	SCHALTER	INTERRUPTOR	INTERRUTTORE	25A COBO		
F1	30417	1	SWITCH	INTERRUPTEUR	SCHALTER	INTERRUPTOR	INTERRUTTORE	0.15 TIG.		
EC1	34370	1	ELEC.CIRCUIT	CIRCUIT.ELECT.	ELEKTR.STROM.	CIRCUITO ELECT.	SCHEDA ELETTR.	PM01 80A 24V		
EC3	34007	1	ELEC.CIRCUIT	CIRCUIT.ELECT.	ELEKTR.STROM.	CIRCUITO ELECT.	SCHEDA ELETTR.	LED TIGER +H1. 2.V		
EC4	38916	1	ELEC.CIRCUIT	CIRCUIT.ELECT.	ELEKTR.STROM.	CIRCUITO ELECT.	SCHEDA ELETTR.	INT. 12/24V 20W TIG		
INV	34120	1	SWITCH	DEVIATEUR	ABWEISER	DESVIADOR	DEVIATORE	T 115-EA		
F01	31306	1	KNOB	POIGNEE	VERSTELLGRIFF	MANOFLA	MANOPOLA	D.22 DI TIGER 300		

TABLE N° :		DESCRIPTION :					SPARE PARTS LIST		DATE :	
REF. CODE	KIT	Q.TY	DESCRIPTION	DENOMINATION	BESCHREIBUNG	DESCRIPCION	DESCRIZIONE	TECHNICAL FEATURES	NOTES	