



Electronic Service Manuals

This electronic document is provided as a service to our customers. We do not create the contents of the information contained in this document. Should you have detailed questions pertaining to the information contained in this document, you may contact Michco, or the manufacturer which provided the original information in this electronic deliverable. Michco's only part in this electronic deliverable was the electronic assembly process. By providing this manual on line we are not guaranteeing parts availability.

You may contact Michco through the following methods:

Phone (517) 484-9312 or (800) 331-3339

2011 N. High St. -- Lansing, Michigan -- 48906

Fax: (517) 484-9836

Email: CustServe@Michco.com

Web site: www.Michco.Com

Parts Web site: www.FloorMachineParts.Com

Order Parts on Line at:

www.FloorMachineParts.Com

Directly to Parts & Service:

By Email: **Shop@Michco.com**

By Fax: (517) 702-2041

By Voice: Use numbers above.

Serving the Cleaning Industry Since 1922

Notice: All copyrighted material remains property of original owners, all trademarks are property of respective owners. Manuals are subject to Manufacturer's reproduction limitations. Originals or reproductions were provided by manufacturers through a request. We make no warranty as to the correctness of information provided in this document and you assume all risk. By placing these manuals on line we are not declaring our corporation to be an manufacturer authorized dealer or provider, please check our web site for authorized manufacturers we represent.

OWNER'S MANUAL

Eagle Power

***HEATED CARPET SPOTTER
MODEL: DHS2***



You have just purchased one of the finest and most desirable devices for carpet spot extractions.

Read the following information to obtain maximum performance and to acquaint you with your new Eagle Power Products Carpet Extractor features.

BEFORE YOU START:

- SAFETY
- OPERATION
- SERVICE
- PARTS
- TROUBLESHOOTING
- RETURN GOODS POLICY



READ and UNDERSTAND this material before operating or servicing this equipment. Failure to understand how to safely operate this tool could result in an accident causing serious injury or death.

INDEX

Specifications 2
Safety Alert Symbols 2
Grounding Instructions 3
Return Goods Policy 3
Important Safety Instructions 4
Preparing For Use and Operating the Machine 5
Know Your Machine 6
Troubleshooting 11
Warranty 12

Introduction

This manual is designed to make your job easier. However, there is nothing more important than the safety aids and instructions that are found throughout this document. The Safety Alert Symbol is used to identify topics of primary safety concern wherever they appear. Further, a separate section has been included, "Important Safety Instructions," which deals mainly with accident prevention concepts.

User experience provides the best feedback. We, at Eagle Power Products, welcome your comments and suggestions.

Purpose of this Manual

This instruction manual is intended to familiarize operators with safety and maintenance procedures of Eagle Power Products.

This manual should be kept available to all operating and maintenance personnel.

SPECIFICATIONS

200°F Heated Solution Tank (110°F water heats to 200°F in 8 minutes)

Ready to use when dwell time on pre-spray is completed.

1-1/2 Gallon Solution Tank Capacity

2 Gallon Recovery Tank Capacity

Vacuum Lift 102"

Piston Pump delivers 60 PSI

1600 Watt Heating Element

Lights indicate when heating is in process and operating temperature reached.

Automatic thermostat maintains maximum temperature during standby periods.

Power Requirement less than 15 Amps

Single Power Cord

10 ft. 1-1/4" ID Flexible Vacuum Hose

10 ft. 3/16" ID Spray Hose

Weight of Spotter w/o solution 18 lbs.

Maneuvers easily on 2" Casters

Easily accessible to fill, empty, clean

Dimensions of Spotter: H-17"L-18" W-13"

Spotter furnished with transparent 3" Upholstery Detail Tool

Applications include auto detailing, commercial and household carpet and upholstery cleaning



SAFETY ALERT SYMBOL

The symbol above is used to call your attention to instructions concerning your personal safety. Watch for this symbol. It points out important safety precautions. It means **"ATTENTION! Become alert! Your personal safety is involved!"** Read the message that follows and be alert to the possibility of personal injury or death.

DANGER

Immediate hazards which, if not avoided, WILL result in severe personal injury or death.

WARNING

Hazards or unsafe practices which, if not avoided, COULD result in severe personal injury or death.

CAUTION

Hazards or unsafe practices which, if not avoided, COULD result in minor personal injury or property damage.

Safety is a critical factor in the design of Eagle Power Products equipment. The best program starts with a safety conscious operator. The information highlighted in this bulletin describes operating practices for the benefit of the workers who will use our equipment in their daily jobs. Comments from users are appreciated.

GROUNDING INSTRUCTIONS

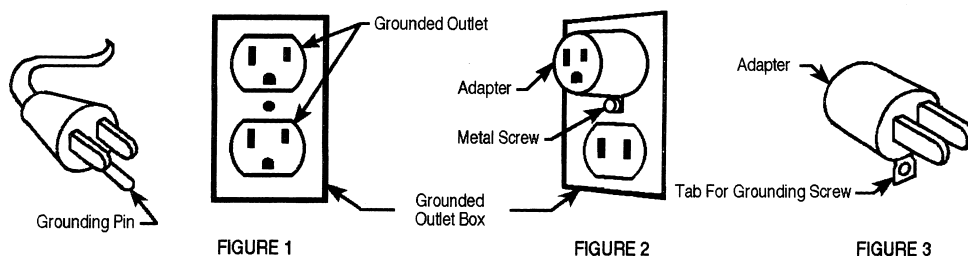
This appliance must be grounded. If it should electrically malfunction, grounding provides a path of least resistance for electric current to reduce the risk of electric shock. This appliance is equipped with a cord having an equipment grounding conductor and grounding plug. The plug must be plugged into an appropriate outlet that is properly installed and grounded in accordance with all local codes and ordinances.

⚠ DANGER!

Improper connection of the equipment grounding conductor can result in a risk of electric shock. Check with a qualified electrician or service person if you are in doubt as to whether the outlet is properly grounded. Do not modify the plug provided with the appliance. If it will not fit the outlet, have a proper Outlet installed by a qualified electrician.

This appliance is for use on a nominal 120volt circuit, and has a grounding plug that looks like the plug illustrated in Figure 1 below. A temporary adapter illustrated in Figures 2 and 3 may be used to connect this plug to a 2 pole receptacle as shown in Figure 2 if a properly grounded outlet is not available. The temporary adapter should be used only until a properly grounded outlet (Figure 1) can be installed by a qualified electrician. The green colored rigid ear, tab, or the like extending from the adapter must be connected to a permanent ground such as a properly grounded outlet box cover. Whenever the adapter is used, it must be held in place by a metal screw. Grounding adapters are not approved for use in Canada. Replace the plug if the grounding pin is damaged or broken. The Green (or Green/Yellow) wire in the cord is the grounding wire. When replacing a plug, this wire must be attached to the grounding pin only. Extension cords connected to this machine should be 12 gauge, three wire cords with three prong plugs and outlets. DO NOT use extension cords more than 50 feet (15 m) long.

PLEASE NOTE: FOR NORTH AMERICA ONLY





IMPORTANT SAFETY INSTRUCTIONS

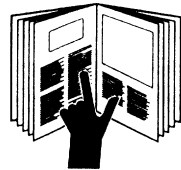

When using an electrical appliance, basic precautions should always be followed, including the following:
Read all instructions before using this appliance.

WARNING!

To reduce the risk of fire, electric shock, or injury:

- Do not leave the appliance when it is plugged in. Unplug the unit from the outlet when not in use and before servicing.
- To avoid electric shock, do not expose to rain. Store indoors.
- Do not allow to be used as a toy. Close attention is necessary when used near children.
- Use only as described in this manual. Use only the manufacturer's recommended attachments.
- Do not use with damaged cord or plug. If the appliance is not working as it should be, has been dropped, damaged, left outdoors or dropped into water, return it to a service center.
- Do not pull or carry by the cord, use the cord as a handle, close a door on the cord, or pull the cord around sharp edges or corners.
- Do not run the appliance over the cord. Keep the cord away from heated surfaces.
- Do not unplug by pulling on the cord. To unplug, grasp the plug, not the cord.
- Do not handle the plug, cord or appliance with wet hands.
- Do not put any object into openings. Do not use with any opening blocked; keep free of dust, lint, hair, and anything that may reduce air flow.
- Keep loose clothing, hair, fingers, and all parts of body away from openings and moving parts.
- Do not pick up anything that is burning or smoking, such as cigarettes, matches, or hot ashes, or any health endangering dusts.
- Turn off all controls before unplugging.
- Use extra care when cleaning on stairs.
- Do not use to pick up flammable or combustible liquids such as petrol or use in areas where they may be present.
- Anyone designated to operate this equipment must, without fail, read and understand these instructions before attempting to operate the equipment.
- Always disconnect electrical cable from outlet before attempting adjustments or repairs.
- Always use a grounded electrical outlet.
- Never use out of doors or in the rain!
- Never put flammable or explosive materials in this equipment. Never operate equipment in an environment where these materials are present.
- Never use equipment as a toy.
- Do not allow the unit to freeze.
- Do not operate in standing water.
- Do not operate if power cords, hoses, etc. are cracked, frayed, leaking or otherwise in need of repairs.
- Do not operate under any unsafe conditions.

	 WARNING
	Disconnect power before working. Electric shock may occur.

	 WARNING
	A person who has not read and does not understand all operating instructions is not qualified to operate this tool. Failure to read and understand safety instructions may result in injury or death.

<p><i>SAVE THESE INSTRUCTIONS</i></p> <p><i>Additional copies of this manual are available upon request at:</i></p> <p><i>EAGLE POWER PRODUCTS</i> <i>1174 Northland Drive</i> <i>Mendota Heights, MN 55120</i></p>

PREPARING FOR USE AND OPERATING THE MACHINE

SPOTTING PROCEDURES PRIOR TO OPERATING MACHINE

- 1 Soak up excess liquids with a towel.
- 2 Test cleaner on a small inconspicuous area to make sure it will not damage the carpet fibers.
- 3 Apply appropriate spotter, follow directions on bottle.
- 4 Start at outside edges of stain and work toward the center. Use a dabbing, not a rubbing action.
- 5 Repeat steps 3-4 if needed.

OPERATING THE MACHINE

WARNING!

Use only **nonflammable commercial chemicals intended** for machine application.

- 1 UNPLUG machine before attempting to fill with water and position switch to the middle "OFF" position.
- 2 Pour 1-1/2 gallons of the warmest water possible to shorten heating time.
BE SURE TO FILL WATER TO THE LID EDGE! It will not heat unless entirely full.
- 3 Toggle the power switch to "HEAT". The amber light will come on indicating the heating cycle has begun.
- 4 When water temperature reaches maximum degree of heat, the green light will indicate machine is ready for use.
- 5 Toggle the power switch to "Vacuum".
- 6 Release water from nozzle until hot water transfers through the length of vacuum hose. Remember, the remaining water in the hose will be cold.

CAUTION!

Do not continue to use the machine after the Recovery Tank is FULL. This will damage the vacuum motor and is NOT COVERED UNDER WARRANTY.

HOT WATER



**BE AWARE / WATER TEMPERATURE
MAY EXCEED 200°F.
USE CAUTION WHEN USING THIS MACHINE.**

AFTER USE

WARNING!

To reduce the risk electric shock or injury, unplug the power cord before servicing.

- 1 Toggle the Power Switch to the MIDDLE position to turn both the vacuum motor and the solution pump OFF.
- 2 DISCONNECT THE POWER CORD.
- 3 Move the machine to a designated waste water "DISPOSAL SITE".
- 4 Disconnect the Hose Assembly from the machine.
- 5 Tip the Recovery Tank and drain through hose connection port.
- 6 Tip the Solution Tank and drain unused water or solution. Rinse the tank thoroughly if any cleaning chemical was used.

KNOW YOUR MACHINE

DESCRIPTION

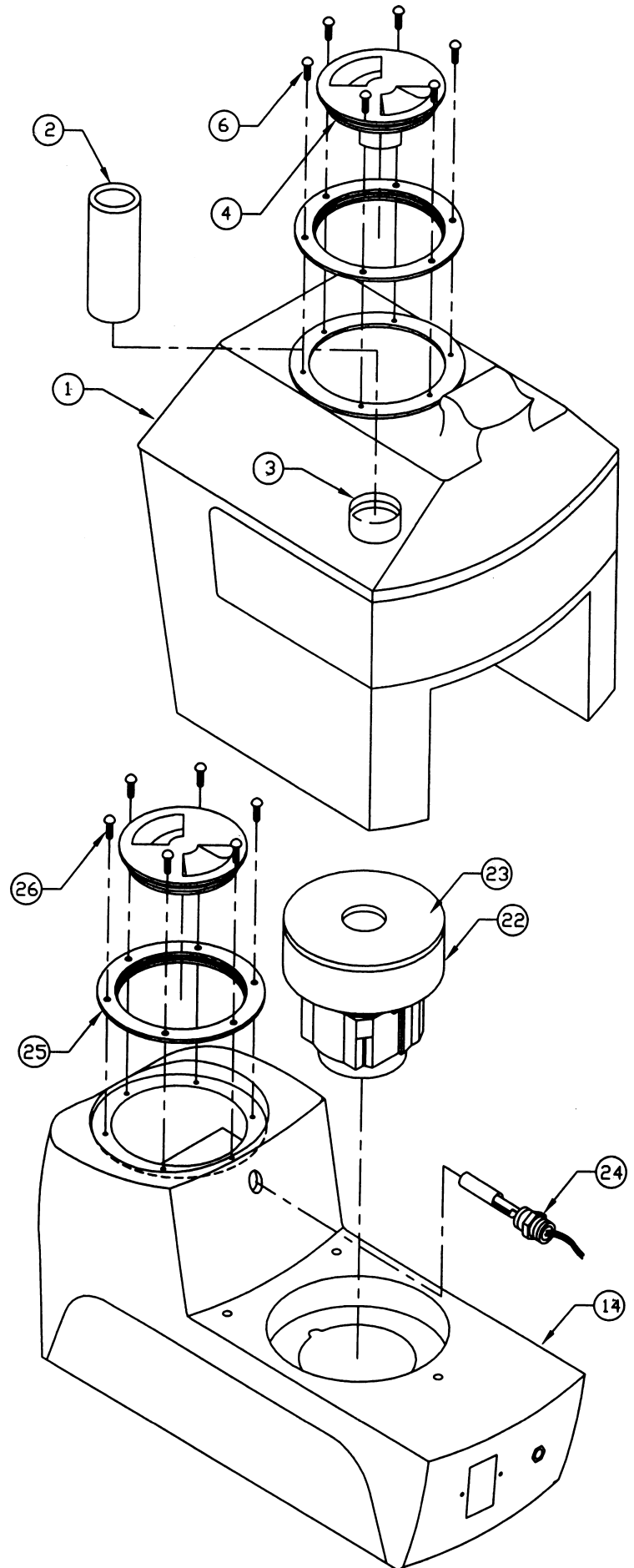
PART NUMBER

- 1. Recovery Tank
- 2. Stack Tube
- 3. Adaptor
- 4. Lid
- 6. Screw

- DS2-01
- DS2-002
- DS2-003
- DS2-041
- DS2-007

- 14. Solution Tank
- 22. Vacuum Motor
- 23. Gasket
- 24. Float Switch
- 25. Ring
- 26. Screw

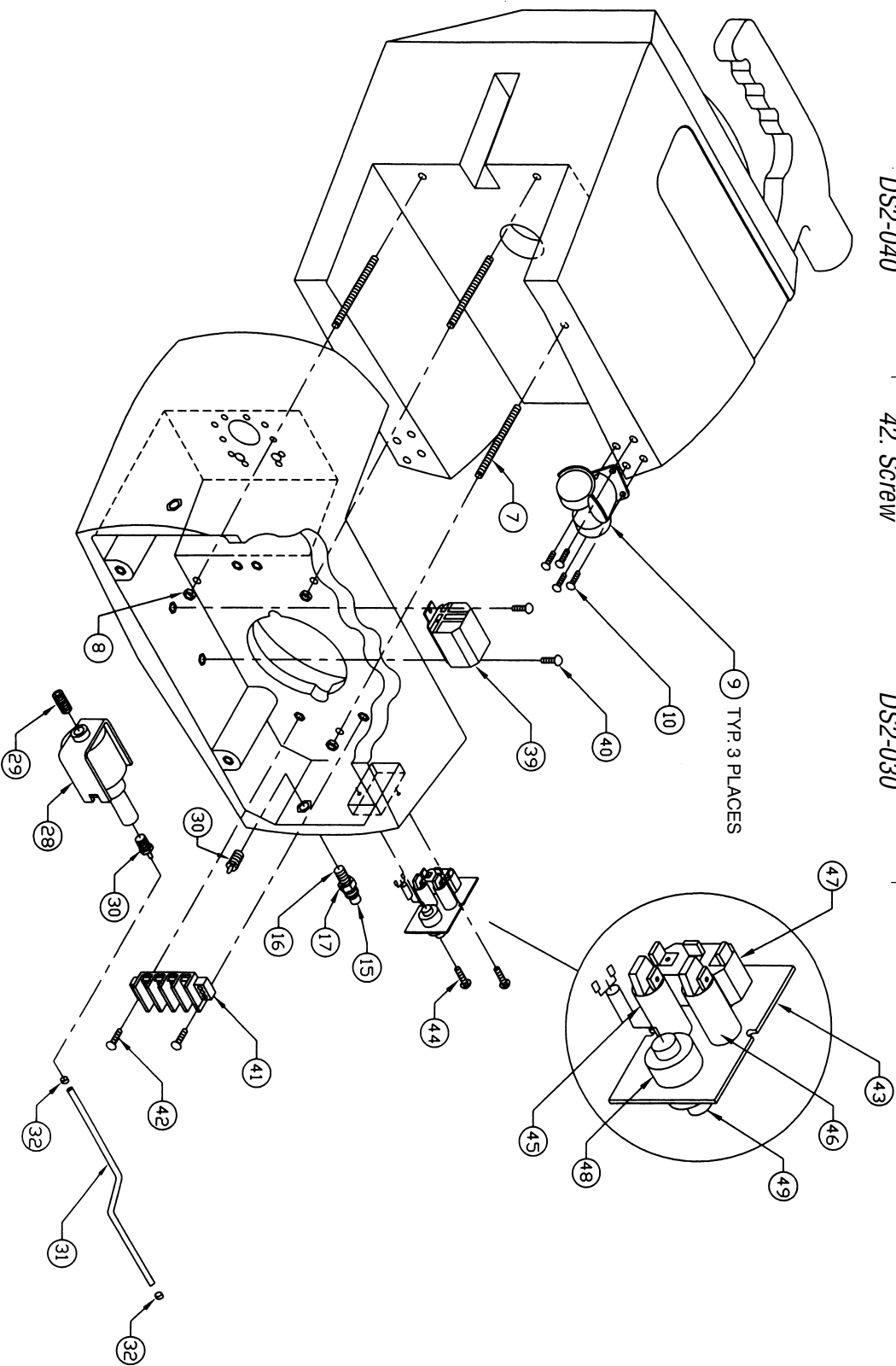
- DS2-02
- DS2-019
- DS2-020
- DS2H-021
- DS2-039
- DS2-007

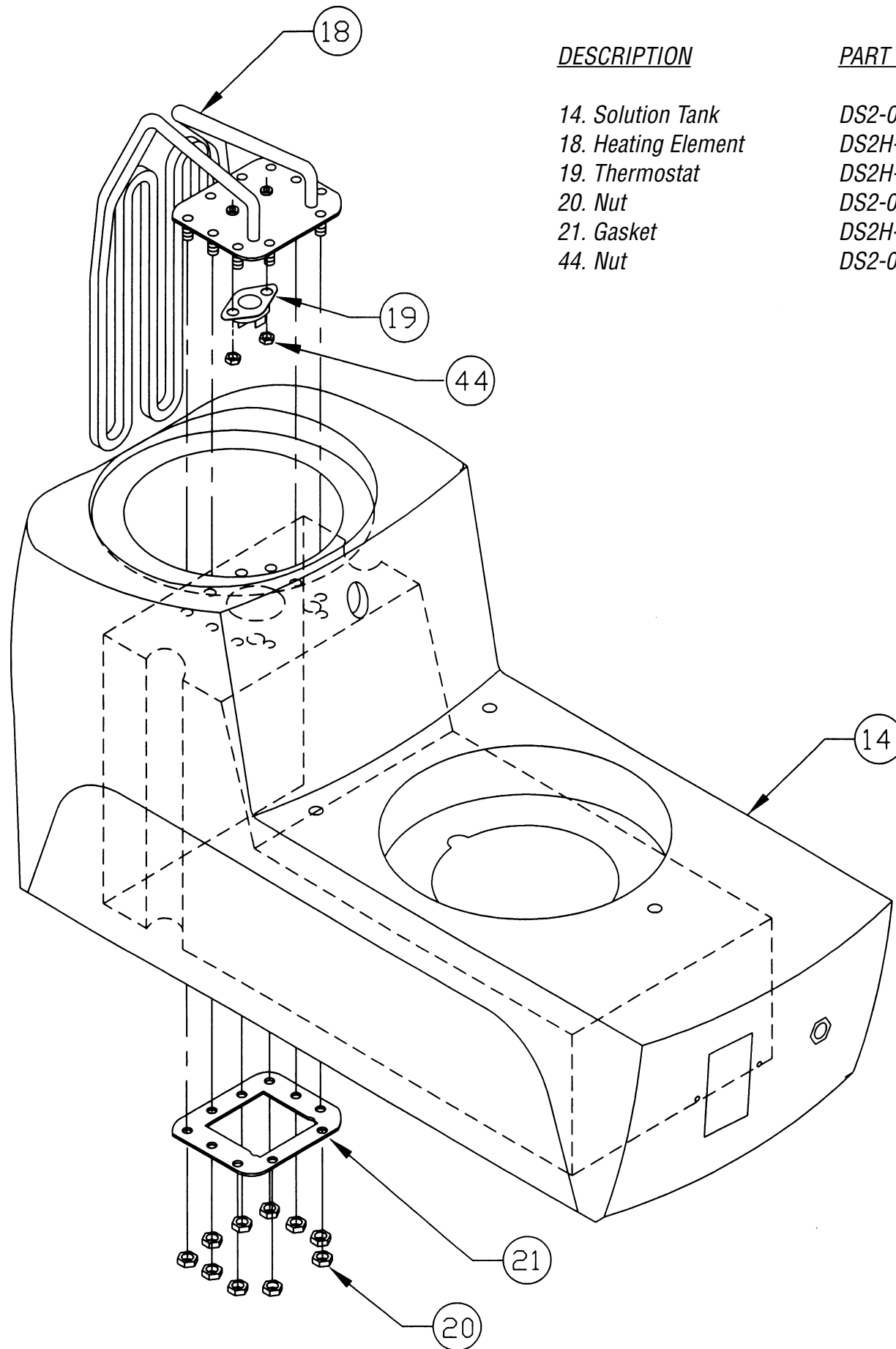


DESCRIPTION	PART NUMBER
7. Stud	DS2-008
8. Nut	DS2-009
9. Caster	DS2-010
10. Screw	DS2-011
15. Plug	DS2-012
16. Close Nipple	DS2-013
17. Spacer	DS2-014
28. Pump	DS2-040

DESCRIPTION	PART NUMBER
29. Close Nipple	DS2-013
30. Barb	DS2-024
31. Hose	DS2-025
32. Clamp	DS2-026
39. Relay	DS2H-032
40. Screw	DS2-028
41. Terminal Block	DS2H-041
42. Screw	DS2-030

DESCRIPTION	PART NUMBER
43. Control Panel	DS2H-031
44. Screw	DS2-032
45. Pilot Light, Amber	DS2H-033
46. Pilot Light, Green	DS2H-034
47. Switch	DS2H-035
48. Power Cord	DS2-036
49. Strain Relief	DS2-037





DESCRIPTION

PART NUMBER

14. Solution Tank

DS2-02

18. Heating Element

DS2H-015

19. Thermostat

DS2H-016

20. Nut

DS2-017

21. Gasket

DS2H-018

44. Nut

DS2-032

DESCRIPTION

PART NUMBER

33. Bottom Cover

DS2-027

34. Screw

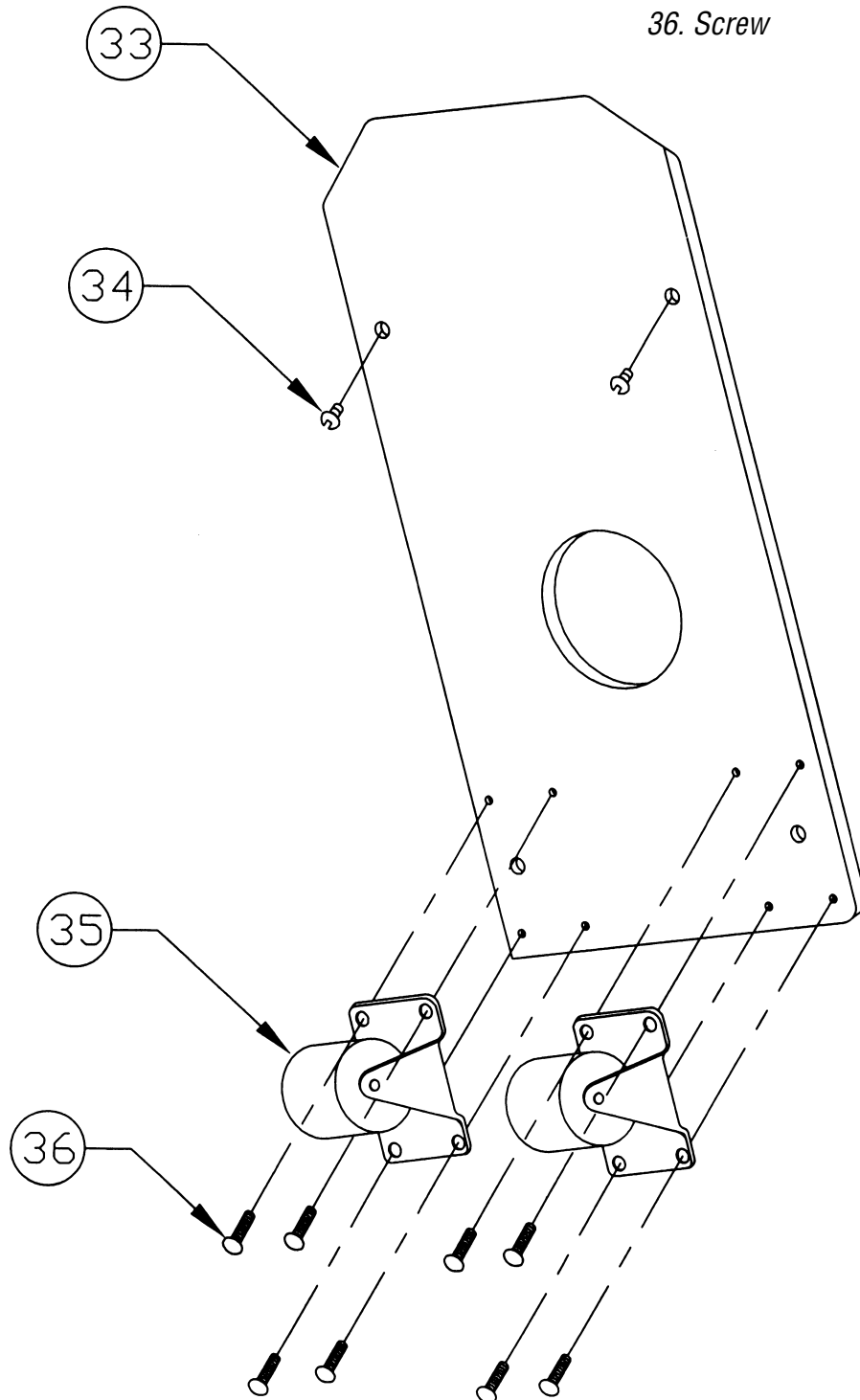
DS2-028

35. Caster-Fixed

DS2-029

36. Screw

DS2-030



TROUBLESHOOTING

PROBLEM	POSSIBLE CAUSE	REMEDY
Will not heat (but vacuum comes on).	Water level too low.	Fill water to top edge of lid ring.
No solution from spray nozzle tip.	Nozzle tip plugged. Check quick-disconnect fitting. Solution tank empty. Pump failed. Kinked solution hose.	Disassemble and clean. Reconnect fitting onto machine. Refill to absolute top of lid ring. Replacement required. Straighten hose.
Poor water pickup.	Vacuum hose cuff is not firmly pushed onto recovery tank fitting. Vacuum motor intake filter is clogged. Vacuum gasket between tanks is worn or damaged. Recovery tank lid not sealing. DEFECTIVE MACHINE! DO NOT ATTEMPT TO REPAIR! Left exposed in freezing conditions. Defective pump seal.	Push hose cuff onto fitting. Check for cracks in hose. Remove and clean filter. Replace gasket. Replace or tighten lid. Unplug immediately and call factory Service Center or the point of purchase. Refer to Service Center. Replace pump.
Overheats and and boils water.	Float level switch in solution tank may be damaged. Thermostat Failure.	Replace float switch. Replace thermostat.
Plugged into outlet, nothing comes on.	Overloaded circuit breaker.	Circuit breaker reset. Unplug other electrical items on same circuit.

Eagle Power

Warranty Policy

Limited Warranty

Eagle Power Products (EPP) warrants new cleaning equipment against defects in material and workmanship under normal use and service to the original purchaser as detailed below.

10 Years

Subject to the conditions stated below, EPP warrants polyethylene tanks and housings to be free from defects in materials and workmanship for a period of ten years.

3 Years

Subject to the conditions stated below, EPP warrants all automatic scrubber components to be free from defects in materials and workmanship for a 3-year period. Parts replaced or repaired are warranted for the remainder of the original warranty period.

1 Year

Subject to the conditions stated below, EPP warrants all other cleaning equipment components to be free from defects in materials and workmanship for a 1-year period. Parts replaced or repaired are warranted for the remainder of the original warranty period. Batteries are prorated for one year.

EPP will furnish and charge for replacement parts, including transportation, to the original owner through an EPP authorized service center. If the part is returned within 30 days and is found defective, the owner will be credited for the cost of the replacement part including shipping and handling.

Labor charges are covered for one year from the date of purchase if provided by an authorized EPP service center. Travel is covered for 90 days for battery operated equipment only.

Wear items exempt from warranty include belts, carbon brushes, power cords, wheels, pad drivers, clutch plates, brushes, pads, handle grips, filters, screens, throttle cables, and squeegees.

This warranty shall not apply to failures caused by misuse or abuse, improper maintenance as stated in the operation manuals, use of unauthorized repair parts, repairs by other than an EPP authorized service center, and damage in transit.

EPP disclaims and denies any liability for any direct, indirect, special incidental or consequential damage which may be suffered as a result of sale, delivery, servicing, use, loss of any product, downtime, labor, freight, or other charges not expressly included herein.

Date Purchased: _____

Model Number: _____

Serial Number: _____

Please be sure to record this information. This information will be necessary for future warranty claims.

Eagle Power

1174 Northland Drive Mendota Heights, MN 55120
651.686.5399 Fax 651.686.5695
www.eaglepower.com

Eagle Power Products Sales and Service Provided by: