



Electronic Service Manuals

This electronic document is provided as a service to our customers. We do not create the contents of the information contained in this document. Should you have detailed questions pertaining to the information contained in this document, you may contact Michco, or the manufacturer which provided the original information in this electronic deliverable. Michco's only part in this electronic deliverable was the electronic assembly process. By providing this manual on line we are not guaranteeing parts availability.

You may contact Michco through the following methods:

Phone (517) 484-9312 or (800) 331-3339

2011 N. High St. -- Lansing, Michigan -- 48906

Fax: (517) 484-9836

Email: CustServe@Michco.com

Web site: www.Michco.Com

Parts Web site: www.FloorMachineParts.Com

Order Parts on Line at:

www.FloorMachineParts.Com

Directly to Parts & Service:

By Email: **Shop@Michco.com**

By Fax: (517) 702-2041

By Voice: Use numbers above.

Serving the Cleaning Industry Since 1922

Notice: All copyrighted material remains property of original owners, all trademarks are property of respective owners. Manuals are subject to Manufacturer's reproduction limitations. Originals or reproductions were provided by manufacturers through a request. We make no warranty as to the correctness of information provided in this document and you assume all risk. By placing these manuals on line we are not declaring our corporation to be an manufacturer authorized dealer or provider, please check our web site for authorized manufacturers we represent.

FLOOD PUMPER TROUBLE SHOOTING GUIDE

PROBLEM	CAUSE	SOLUTION
No vacuum at the Floor Tool, (vacuum motor runs).	1. Tank is full and Auto Shutoff has closed off vacuum standpipe.	1. Discharge pump has not turned on. See Discharge Pump will not turn on below.
	2. Drain Valve is open.	2. Close Drain Valve.
	3. Clear Lid is loose.	3. Tighten the loose lid.
Vacuum motor will not turn on.	1. Cord is not plugged in.	1. Plug both cords into separate grounded 120V A.C. power outlets.
	2. Faulty switch or loose wiring.	2. Consult WIRING DIAGRAM.
	3. Circuit breaker in building is tripped.	3. Reset circuit breaker.
Discharge pump will not turn on.	1. Cord is not plugged in.	1. Plug both cords into separate grounded 120V A.C. power outlets.
	2. Faulty Float Switch on Discharge Pump.	2. Replace Float Switch.
	3. Circuit breaker in building is tripped.	3. Reset circuit breaker.
Discharge pump runs continually.	1. Airlock has formed in Discharge Pump Inlet.	1. Connect open end of Discharge Hose to Vacuum Inlet Hose Barb and turn on Vacuum Switch. This will draw water through the Discharge Pump.
	2. Faulty Float Switch on Discharge Pump.	2. Replace Float Switch.

Castex®

Flood Pumper

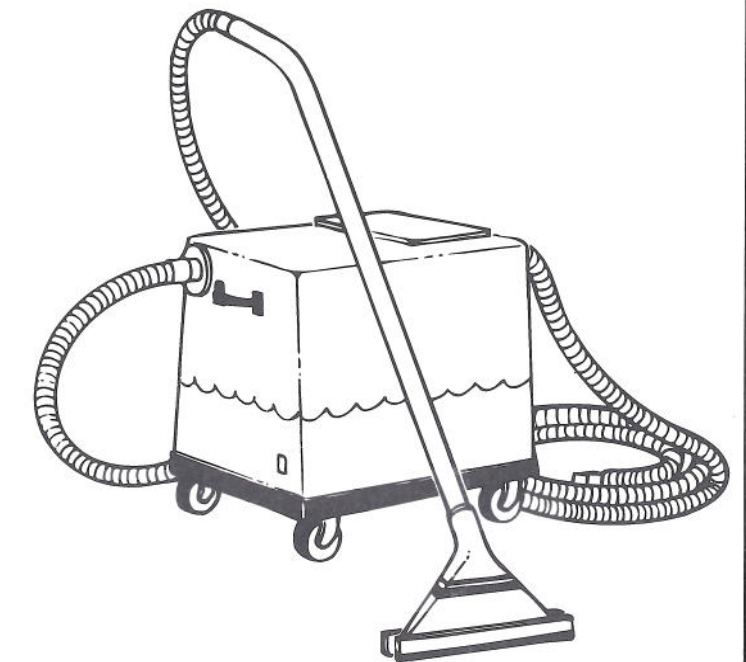
The Water Transfer Machine

MODELS: MF1001 & OSMF1001

Operator & Parts Manual

Starting Serial No.:

Record Serial No. Here: _____



CASTEX INCORPORATED
12875 RANSOM STREET
HOLLAND MI 49424

A  COMPANY

1-800-522-7839
616-786-2330
FAX: 1-800-678-4240
CUSTOMER SERVICE: 1-800-365-6625

173005
Rev. 04 (09-96)

A. SET UP AND OPERATION:

1. Plug the 75' (23 M) power cords into two separate grounded 110 volt A.C. outlets, (on separate circuits), as shown in **Figure 1**.

If your outlets contain no grounding holes, you must use adapters. These adapters must be connected to outlets with a *grounded receptacle box* using the metal cover plate screw to secure the adapter's ground pin. See **Figure 2**.

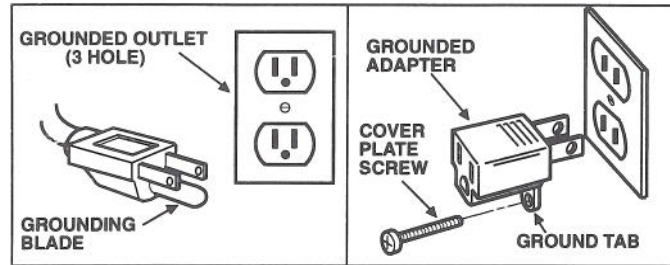


Figure 1

Figure 2

WARNING!!! To avoid an electrical hazard, your extractor must be grounded while in use to protect the user from electric shock and serious injury!

2. Connect the 15 ft (5 M) 1 1/2" (4 cm) vacuum hose to the Floor Tool and to the inlet hose barb.
3. Connect the 25 ft (8 M) 1 1/2" (4 cm) vacuum hose to the discharge hose barb and place the other end outside or to a drain that will handle a large volume of water.

You can add extra hose to the inlet and discharge hoses if desired. The intake hose can be 100 ft. (31 M) long. However, we recommend a maximum of 25 ft. (8 M) for the best recovery of water. The discharge hose can be any horizontal length, but it is recommended that an upward vertical length of 8 ft. (2 M) not be exceeded.

4. Turn on the main switch and begin vacuuming water.
5. During operation, water is drawn up through the floor tool and into the tank through the inlet hose barb. When the water level in the tank reaches the proper height, the pump's float switch automatically turns the discharge pump on. The water is then discharged through the hose barb.
6. When the job is completed open drain valve and let out any remaining water.

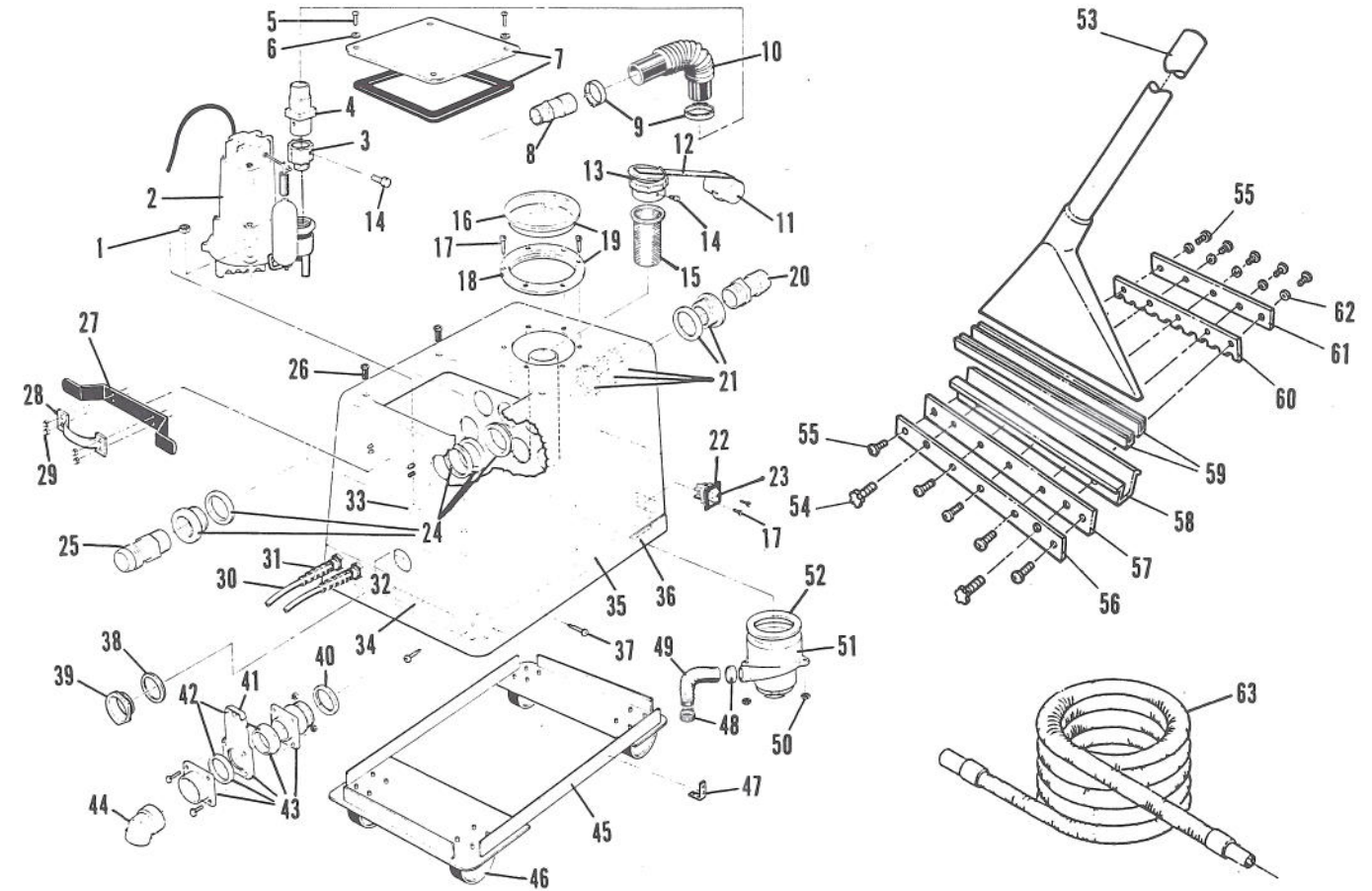
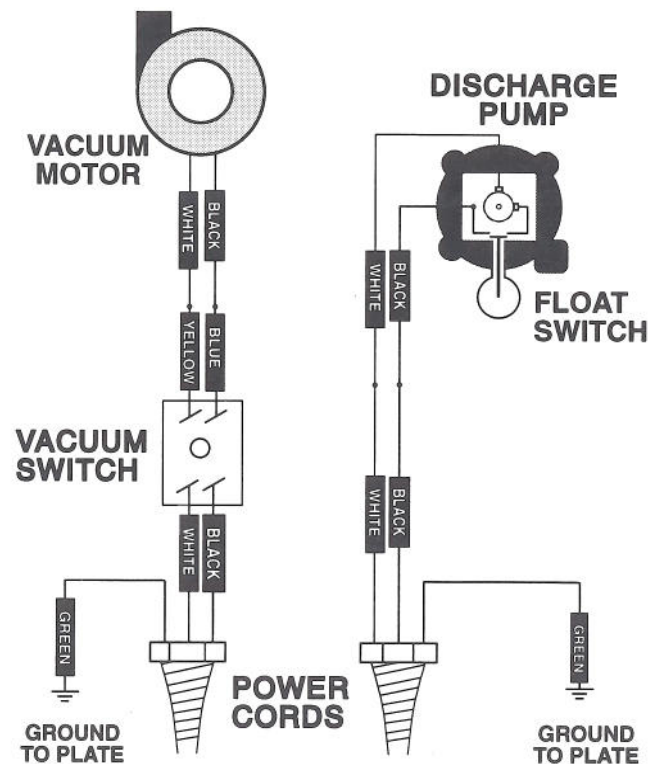
B. SUGGESTED MAINTENANCE:

1. Keep the standpipe screen clean.
2. Periodically, polish the housing with car wax.
3. The recovery tank is accessible through lid and the pump is accessible through lid.
4. The discharge pump and vacuum are permanently lubricated and require no maintenance.
5. Periodically inspect the power cords for wear or broken insulation.

DECAL LIST

ITEM #	DESCRIPTION	PART #	QTY.
1.	OPERATION INSTRUCTION	120127	1
2.	INTAKE	120132	1
3.	DISCHARGE	120133	1
4.	HEATER-VAC-PUMP	120020	1
5.	WARNING	120619	1
6.	WARNING WET/DRY	120621	1
7.	SIDELINES RT (CASTEX)	120160	1
	SIDELINES LT (CASTEX)	120161	1
8.	HASH LT (CASTEX)	120072	1
	HASH RT (CASTEX)	120073	1
10.	NOBLES LOGO (NOBLES)	120239	2

WIRING DIAGRAM



FLOOD PUMPER PARTS LIST

ITEM #	DESCRIPTION	PART #	QTY.	ITEM #	DESCRIPTION	PART #	QTY.
1.	NUT, LOCK NYLON	140546	2	33.	CORD GRIP, LIQUID TIGHT	130120	1
2.	PUMP, SUMP (120 VOLT)	180125	1	34.	RAIL, BUMPER INSERT - 13"	100052	2
	PUMP, SUMP (220 VOLT)	180126	1	35.	RAIL, BUMPER INSERT - 21"	100054	2
	FLOAT SWITCH ONLY, SUMP PUMP	130706	1	36.	BUMPER, MODEL 900 - 77"	100028	1
3.	ADAPTER, PVC 1 1/2" MALE	230183	1	37.	SCREW, WAFER 10-24 X 1"	140857	12
4.	VALVE, CHECK, 2"	210007	1	38.	GASKET, WASTE AIR	101714	1
5.	SCREW, 1/4-20 X 1-1/2"	140846	4	39.	NUT, METAL DRAIN VALVE	210240	1
6.	WASHER, FLAT	140000	4	40.	GASKET, DRAIN VALVE	210234	1
7.	LID, COMPLETE W/GASKET	700017	1	41.	VALVE, DRAIN HANDLE	210237	1
8.	HOSE BARB	150500	1	42.	VALVE, DRAIN GATE SEAL	210239	2
9.	CLAMP, HOSE	140308	2	43.	VALVE, DRAIN COMPLETE	210231	1
10.	HOSE, DRAIN BLACK	160417	1	44.	VALVE, DRAIN DOWNSPOUT	210232	1
11.	FLOAT ONLY, AUTO SHUTOFF	100008	1	45.	FRAME	100910	1
12.	AUTO SHUTOFF, COMPLETE	100023	1	46.	CASTER, 3"	103062	4
13.	GASKET, AUTO SHUTOFF	100003	1	47.	HANGER, EXHAUST	100020	1
14.	SCREW, 1/4-20 X 1/2"	140880	1	48.	WIRE TIE	130041	2
15.	SCREEN, 2" CYLINDER W/PVC	100024	1	49.	HOSE, EXHAUST, 2" X 14"	160848	1
16.	LID, CLEAR	100105	1	50.	NUT, LOCK	140546	1
17.	SCREW, #6 X 3/4"	140826	8	51.	MOTOR, VACUUM (120 VOLT)	130404	1
18.	LID, OUTER RING	100109	1		CARBON BRUSH	190157	1
19.	LID, ASSEMBLY COMPLETE	100102	1		MOTOR, VACUUM (220 VOLT)	130405	1
20.	HOSE BARB	150500	1		CARBON BRUSH	190157	1
21.	FITTING, INLET FLANGE	150301	1	52.	GASKET, VAC MOTOR	100001	1
22.	SWITCHPLATE, 1 GANG BLACK	130719	1	53.	TOOL, FLOOR 13"	200426.BK	1
23.	SWITCH, LIGHTED ROCKER	130700	1	54.	KNOB, SQUEEGEE	240200	2
24.	FITTING, DISCHARGE FLANGE	150301	1	55.	SCREW, MACHINE 10-24 X 3/8"	140887	10
25.	HOSE BARB	150500	1	56.	NUT PLATE, 15" SQUEEGEE	240054.BK	1
26.	NUT, WELL 1/4-20	140513	4	57.	WIPING BLADE, 15" SQUEEGEE	240059	1
27.	CORD WRAP, DOUBLE	230287.BK	1	58.	CHANNEL, 15" SQUEEGEE	240056.BK	1
28.	HANDLE, FIBERGLASS CANISTER	100076	2	59.	SHOE, 13" FLOOR TOOL	200939	2
29.	NUT, ACORN	140502	8	60.	BACKING BLADE, 15" SQUEEGEE	240060	1
30.	CORD, 14/3 X 28' (120 VOLT)	130210	2	61.	NUT PLATE, 13" SQUEEGEE	240055.BK	1
	CORD, PWR 3X1.5MMX28' (220 VOLT)	130274	1	62.	WASHER, FLAT 3/16"	140011	5
31.	CORD GRIP LIQUID FLEX	130167	2	63.	HOSE, 15' X 1-1/2" W/ CUFFS	160465	1
32.	NUT, CONDUIT LOCK	140504	2		HOSE, 25' X 1-1/2" W/ CUFFS	160466	1