



Electronic Service Manuals

This electronic document is provided as a service to our customers. We do not create the contents of the information contained in this document. Should you have detailed questions pertaining to the information contained in this document, you may contact Michco, or the manufacturer which provided the original information in this electronic deliverable. Michco's only part in this electronic deliverable was the electronic assembly process. By providing this manual on line we are not guaranteeing parts availability.

You may contact Michco through the following methods:

Phone (517) 484-9312 or (800) 331-3339

2011 N. High St. -- Lansing, Michigan -- 48906

Fax: (517) 484-9836

Email: CustServe@Michco.com

Web site: www.Michco.Com

Parts Web site: www.FloorMachineParts.Com

Order Parts on Line at:

www.FloorMachineParts.Com

Directly to Parts & Service:

By Email: **Shop@Michco.com**

By Fax: (517) 702-2041

By Voice: Use numbers above.

Serving the Cleaning Industry Since 1922

Notice: All copyrighted material remains property of original owners, all trademarks are property of respective owners. Manuals are subject to Manufacturer's reproduction limitations. Originals or reproductions were provided by manufacturers through a request. We make no warranty as to the correctness of information provided in this document and you assume all risk. By placing these manuals on line we are not declaring our corporation to be an manufacturer authorized dealer or provider, please check our web site for authorized manufacturers we represent.

Cyclone Dryer

The versatile carpet dryer

Reference Manual

Machine Serial Number:



Castex

Castex Industries Inc.
4240 Blue Star Hwy., Holland, Michigan 49423
800-253-7871 616-392-6966

CYCLONE DRYER SERVICE MANUAL

A. OPERATION

1. Plug into a grounded outlet. The dryer draws only 5 amps which means that up to three fans can be operated on one 15 amp circuit! (Normal household circuits have 15 amps, kitchen circuits usually have 20 amps. Institutions and manufacturing facilities usually have 20 amps per circuit.)
2. Push on/off switch (# 26) to turn on.

CAUTION

DO NOT OPERATE IN STANDING WATER!

WARNING:

TO AVOID ELECTRICAL SHOCK, DO NOT EXPOSE TO RAIN. STORE INDOORS. DO NOT BLOCK INTAKE SCREENS (# 1 AND 2) OR EXHAUST GRILL (# 4), MOTOR MAY OVERHEAT. DO NOT OPERATE WITHOUT INTAKE SCREENS OR WITHOUT EXHAUST GRILL.

B. TO SPEED THE DRYING OF STRETCHED WALL TO WALL CARPET:

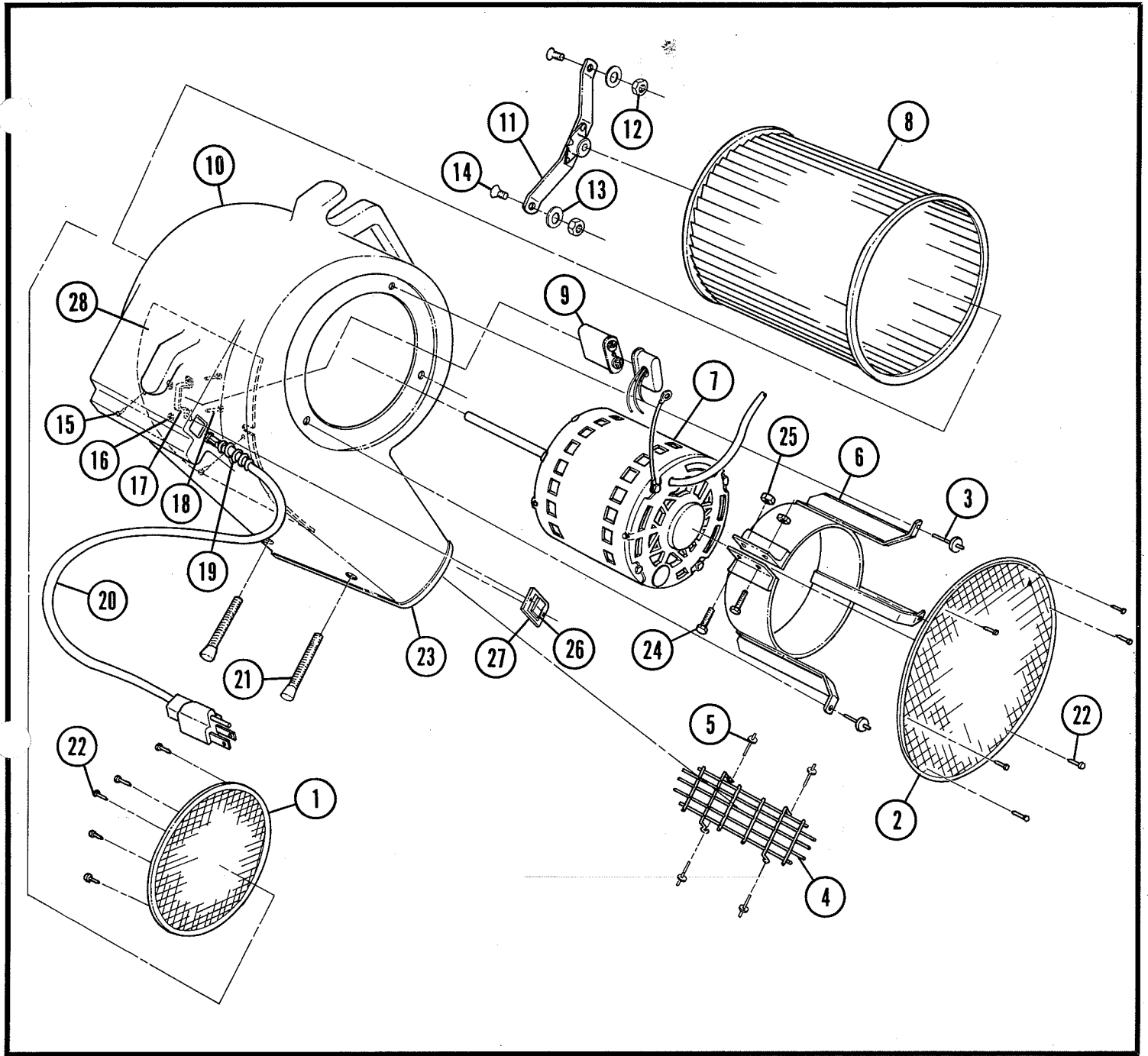
1. Peel back one corner of carpet. A scratch awl or any pointed instrument will make this easier. (All furniture should be removed from room.)
2. Position fan so that the exhaust snout is under the carpeting pointing toward the center of the room. Be sure that the intake screens are not blocked.
3. Plug into a grounded outlet and push on/off switch to turn on. Fan forces air under and through the carpet to speed drying time. Carpet will billow in the center of the room.
4. Remove fan when dry and stretch carpet back into place.

C. TO SPEED THE DRYING OF GLUED DOWN CARPET AND HARD FLOORING:

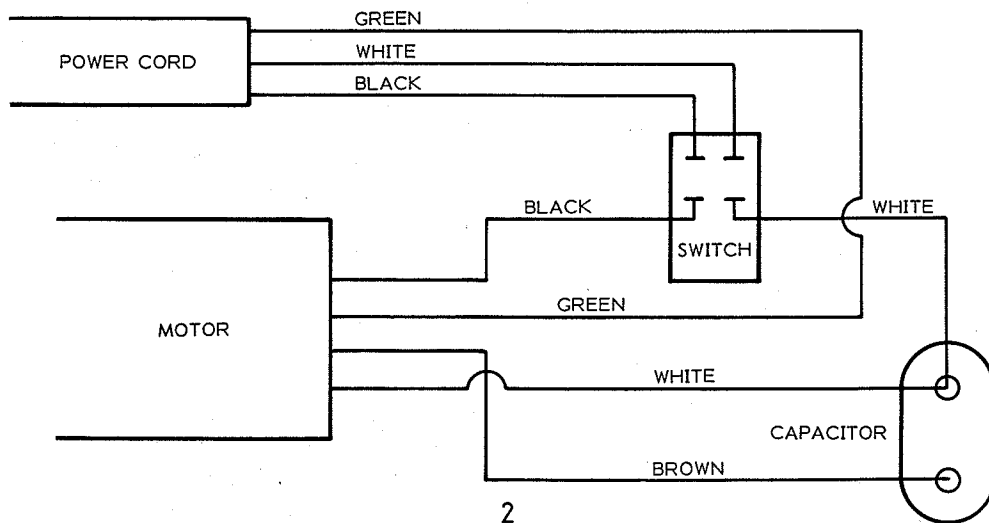
1. Place the fan in one corner of the room pointing toward the center of room.
2. Air moves across the surface to speed evaporation.

CYCLONE DRYER PARTS LIST

<u>Code Number</u>	<u>Part Number</u>	<u>Description</u>	<u>Code Number</u>	<u>Part Number</u>	<u>Description</u>
1	101010	Screen, intake 9 3/4"	16	140572	Nut, 10 - 24 hex
2	101013	Screen, intake 10 5/8"	17	130422	Clamp, capacitor
3	140701	1/4" pop rivet	18	140802	Screw, 10 - 24 x 1/2"
4	101012	Grill, exhaust	19	130137	Relief, cord strain
5	140703	3/16" pop rivet	20	130203	Cord, 18 - 3 x 15'
6	101002	Bracket, motor	21	101016	Leg, adjustable
7	130420	Motor, 1/3 H.P. blower	22	140825	Screw, #6 x 1/2" sheet metal
8	101015	Fan, impeller			
9	130421	Capacitor	23	101003	Trim, exhaust
10	N/A	Housing, fan	24	140801	Screw, 1/4" - 20 x 1 1/2" hex hd.
11	101001	Bracket, bearing			
12	140524	1/4" keps nut	25	140510	Nut, 1/4" - 20 hex
13	140028	3/8" SAE flat washer	26	130700	Switch, lighted rocker
14	140811	Screw, 1/4" - 20 x 1/2" flat head	27	130719	Switch plate
15	140803	Screw, 10 - 24 x 3/4"	28	101014	Plate, baffle



WIRE DIAGRAM



TROUBLESHOOTING

Problem	Cause	Solution
Motor won't run	1. Circuit overloaded	1. Check circuit breakers and reset
	2. Motor overheated*	2. Let motor cool and discover what caused it to over-heat (see below)
	3. Switch broken	3. Replace switch
	4. Loose wiring	4. Tighten wiring and repair
Motor won't run and hums	1. Severe jolt that has caused blower wheel to slide against housing	1. Remove intake screen (# 1 and 2) and loosen set screw (inside of # 8) and realign impeller (# 8)
Motor overheated*	1. Intake or exhaust screen blocked	1. Turn machine off and remove whatever is blocking the air flow and let cool*

* The Cyclone Dryer's motor is thermally protected and will therefore automatically shut down when overheated. When cool, push the on/off switch to begin operation.

GENERAL SERVICE POLICY:

All parts returned to the factory must arrive with freight prepaid and with a return authorization number issued by CASTEX. Always enclose a note indicating exactly what is wrong with the part, your name, and address. Please order all parts using the part number and description.