



Electronic Service Manuals

This electronic document is provided as a service to our customers. We do not create the contents of the information contained in this document. Should you have detailed questions pertaining to the information contained in this document, you may contact Michco, or the manufacturer which provided the original information in this electronic deliverable. Michco's only part in this electronic deliverable was the electronic assembly process. By providing this manual on line we are not guaranteeing parts availability.

You may contact Michco through the following methods:

Phone (517) 484-9312 or (800) 331-3339

2011 N. High St. -- Lansing, Michigan -- 48906

Fax: (517) 484-9836

Email: CustServe@Michco.com

Web site: www.Michco.Com

Parts Web site: www.FloorMachineParts.Com

Order Parts on Line at:

www.FloorMachineParts.Com

Directly to Parts & Service:

By Email: **Shop@Michco.com**

By Fax: (517) 702-2041

By Voice: Use numbers above.

Serving the Cleaning Industry Since 1922

Notice: All copyrighted material remains property of original owners, all trademarks are property of respective owners. Manuals are subject to Manufacturer's reproduction limitations. Originals or reproductions were provided by manufacturers through a request. We make no warranty as to the correctness of information provided in this document and you assume all risk. By placing these manuals on line we are not declaring our corporation to be an manufacturer authorized dealer or provider, please check our web site for authorized manufacturers we represent.



E85806-00
E85807-00

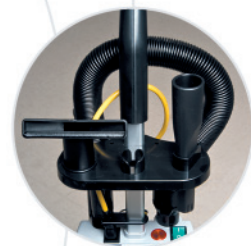


DM1400T & DM1800T

14" and 18"
Upright Vacuum



*Telescoping
wand feature*



*Onboard
tool kit*



*Optional
HEPA filter
available*

**Operator and Parts
Manual**

This manual is furnished with each new model. It provides necessary operating and preventive maintenance instructions. Read this manual completely and understand the machine before operating or servicing it. This machine will provide excellent service. However, the best results will be obtained at minimum costs if:

- The machine is operated with reasonable care.
- The machine is maintained regularly - per the maintenance instructions provided.
- The machine is maintained with approved parts.

Parts and supplies may be ordered by phone or mail from any parts and service center; distributor or from any of your representative subsidiaries. A complete illustrated parts list is supplied with this machine, use this list to order parts. Before ordering parts or supplies, be sure to have your machine model number and serial number handy.

TABLE OF CONTENTS

SAFETY PRECAUTIONS	2-GB
GENERAL INSTRUCTIONS	3-GB
MACHINE COMPONENTS	3-GB
INSTALLATION	3-GB
PLACING POWER CORD	3-GB
MACHINE OPERATION	3-GB
PRE OPERATION CHECKS	3-GB
UPRIGHT CARPET VACUUM CLEANING	3-GB
REMOTE VACUUM WAND CLEANING	3-GB
THE DUST BAG FULL INDICATOR	3-GB
DUST BAG REMOVAL AND INSTALLATION	4-GB
ROUTINE CARE AND MAINTENANCE	4-GB
THERMAL OVERLOAD	4-GB
CLEANING OR REPLACING INLET FILTER	4-GB
REPLACING BRUSH	4-GB
TORAGE INFORMATION	4-GB
WARRANTY	4-GB
SPECIFICATIONS	5-GB
TROUBLE SHOOTING	5-GB
PLACING AN ORDER	6-GB
FINDING A PART NUMBER	6-GB
ELECTRICAL DIAGRAM	A-L
PARTS LIST	A-L
UPPER UNIT	A-L
LOWER UNIT	A-L

SAFETY PRECAUTIONS

The following expressions are used throughout this manual as indicated in their description:

WARNING: To warn of hazards or unsafe practices which could result in severe personal injury or death.

FOR SAFETY: To identify actions which must be followed for safe operation of equipment.

USAGE

This machine is suited to pick up dirt and dust in an indoor environment and is not constructed for any other use. The pick up of any liquid or dangerous type of dust is unsuitable and therefore usage of this type is not allowed.

The following information signals potentially dangerous conditions to the operator or equipment. Know when these conditions can exist. Locate all safety devices on the machine. Then, take necessary steps to train machine operating personnel. Report machine damage or faulty operation immediately.

Do not use the machine if it is not in proper operating condition.

FOR SAFETY

- Do Not Operate, Maintain, or Service Machine:
 - Unless Trained And Authorized.
 - Unless Operation Manual Is Read And Understood.
 - With Damaged Cord Or Plug.
 - When Using Machine:
 - Do Not Pick Up Live Ashes Or Cigarette Butts.
 - Before Leaving Or Servicing Machine:
 - Turn Off Machine And Unplug Power Cord From Outlet.
- WARNING:**
Hazardous Voltage. Shock Or Electrocutation Can Result. Unplug Power Cord Before Working On Machine.
- WARNING:**
Do not store outdoors and avoid getting wet by rain etc.
- WARNING:** The use of attachments other than those recommended and supplied by the manufacturer may be hazardous.

GENERAL INSTRUCTIONS

Throughout this book references are made to figure numbers. These figures can be found on the page at the end of this manual.

MACHINE COMPONENTS

Refer to fig. 1

1. Handle
2. Option mount
3. Full Bag Light
4. Main Power Switch
5. Door Latch
6. Bag Housing
7. Release Handle
8. Electronic Display
9. Handle Pivot
10. Brush Housing
11. Power Brush Housing
12. Hose
13. Upper Cord Hook
14. Power Cord
15. Wand
16. Transport Handle
17. Thumb Nut
18. Base Inlet Connector
19. Cord Pigtail
20. Rear Wheel

Note: The italicized words in the following sections refer to items in the MACHINE COMPONENTS list. These are only italicized the first time they appear.

INSTALLATION

Carefully check carton for signs of damage. Report damages at once to the carrier.

Unpack the machine and check machine for completeness according to the packing list.

Check whether the cord plug installed corresponds to your wall outlet. Complete the machine:

1. Install *handle* by sliding it into the opening in the top of the *bag housing* until it bottoms out. Install and tighten with the M5 thumbscrew.
2. Install the *hose* by pushing one end into the top of the bag housing. Push the other end into the *wand*.
3. Position the open end of the *wand* over the opening of the *power brush housing* and while referring to figure 2 push the *wand* into the sleeve in the back of bag housing until it snaps into the notch (see arrow in figure 2).
4. Make sure the dust bag is installed. For instructions refer to the DUST BAG REMOVAL AND INSTALLATION.

5. Snap the upholstery tool and crevice tool into the *option mount*.

6. Plug the *cord pigtail* into the outlet at the back of the vacuum housing.

PLACING POWER CORD

According to your preference you can place the power cord on the machine in two ways:

1. Coil the cord (starting at the machine side to prevent cord turns) and hang it on the *upper cord hook*.
2. Wrap cord around the *upper* and *lower hooks*.

MACHINE OPERATION

NOTE: This machine is suitable for voltages from 220 - 240V AC/50 Hz.

PRE OPERATION CHECKS

1. Check to ensure a dust bag is installed. Replace bag if needed.
2. Check brush area for any thread, string or debris that may be wrapped around the brush.

UPRIGHT CARPET VACUUM CLEANING

1. Plug the power cord into a receptacle.
2. Adjust the brush height knob to suit the carpet thickness you are going to clean. The carpet indicator shows its position (1-4). Refer to figure 3.

3. Turn the *main power switch* on. The vacuum fan motor will turn. Refer to figure 4.
4. While holding the handle depress the red *release handle* pedal (refer to figure 5) and lower the handle to a convenient operating position. When the handle is lowered the brush motor will start turning.

5. Clean the floor using normal vacuuming procedure.

REMOTE VACUUM WAND CLEANING

1. Keep machine in a stable position, preferably an upright position.
2. Plug in the power cord and switch on the machine as described in the UPRIGHT CARPET VACUUM CLEANING.

3. Remove the wand by snapping it out of the retainer clip and pulling it from its inlet. The brush motor will stop automatically when the wand is removed.

4. Attach your choice of either the upholstery or crevice tool to the wand and clean as you like.

5. When finished cleaning replace the tool and wand to their storage positions. Make sure the wand fits tightly into the base inlet so it will not leak. Refer to figure 2.

THE DUST BAG FULL INDICATOR

1. Your machine has a red *full bag* light which will come on when the airflow is obstructed indicating the dust bag is full.
2. If the light comes on switch off the machine, unplug the cord and check the dust bag. Replace the bag when it is full. For instructions see the DUST BAG REMOVAL AND INSTALLATION.

3. If the light comes on and the dust bag is not full there is an obstruction somewhere in the system.

DUST BAG REMOVAL AND INSTALLATION (Refer to figure 6).

1. Open the bag housing by pushing on the *door latch*. Fold the ends of the dust bag together and carefully remove the bag. Dump the bag in a disposal container.
2. Always install a new dust bag directly after removing a full one.
3. To install the new dust bag, push the bag onto the inlet of the fan motor as far as it will go. Fold the top down so it will not interfere with the door latch.
4. Close the door ensuring that it latches properly.

ROUTINE CARE AND MAINTENANCE

The maintenance should be carried out by authorised maintenance personnel only. Every year the machine should be safety certified according to local safety standards (UVV). Contact your dealer for the most adequate and best service.

WARNING: Hazardous Voltage. Shock or Electrocutation Can Result. Unplug Power Cord Before Working On Machine.

The machine exterior should be cleaned once a week with a dust towel. A damp towel together with a mild detergent may be used.

DO NOT USE WATER.

Every week

Inspect and clean the filter at the vacuum motor inlet.

Every month

Inspect brush for wear. If brush strips no longer touch the carpet they have to be replaced.

Every year

The carbon brushes in the vacuum and brush motor have to be inspected for wear:

The vacuum cleaner is equipped with an electronic power brush alert: two lights - GREEN and RED. Refer to figure 7.

GREEN LIGHT:

Lower Brush operates properly.

RED & GREEN LIGHT:

Brush drive belt broken. Refer to Trouble Shooting.

RED LIGHT:

Brush rotation obstructed. Refer to Trouble Shooting.

These lights alert the operator of problems which must be corrected immediately. Monitor these lights during operation.

THERMAL OVERLOAD

The internal temperature of the vacuum motor is sensed at all times. When the temperature gets too high the sensor shuts off the vacuum motor. Inspect the machine for any air obstruction. The sensor will reset automatically when the sensor and electric motor have cooled sufficiently. The motor can then be re-started.

CLEANING OR REPLACING INLET FILTER (Refer to figure 8)

1. Remove the dust bag.
2. Snap the filter retainer from its fitting.
3. Remove the filter and clean by shaking or vacuuming.

Note: Replace the filter if worn or not cleanable.

4. Replace filter in the retainer and snap it into place.

5. Replace dust bag.

CAUTION: Do not operate the vacuum without the inlet filter in place.

REPLACING BRUSH (Refer to figure 9)

1. Remove the screw holding the brush access plate and remove plate.
2. Grasp the brush strip and slide it out of the brush extension.
3. Replace the strip with a new one and slide it into place.
4. Replace the access plate and install the screw.

STORAGE INFORMATION

The machine may be stored in any dry area. The machine may be parked either in a horizontal or an upright position.

WARRANTY

The manufacturer warrants to the original purchaser that products manufactured are free from defects of workmanship and material, provided such goods are installed, operated and maintained in accordance with the written manuals or other instructions.

In case you, as our customer, encounter any trouble with your machine contact your representative who will be obliged to be of service to you and will take care of the warranty settlement.

Your representatives are able to service you with detailed warranty conditions as well as periodic maintenance contracts.

NOTE: Alterations and charges made to the machine without written approval and use of unapproved spare parts will not be covered by warranty.

SPECIFICATIONS

Item	Dimension/Capacity	
Lenght	360 mm	460 mm
Width	260 mm	260 mm
Height	360 mm	460 mm
Weight	1200 mm	1200 mm
Brush width	10 kg	10.5kg
Sweeping path	310 mm	410 mm
Powercord length	310 mm	410 mm
Brush motor	10 M	10 M
Vacuum motor	0.7 A	1A
Filter bag	3.7 A	3.7 A
	5.7L	5.7L

TROUBLE SHOOTING

Vacuum motor is off.	Machine unplugged.	Plug the machine in.
	Switch in off position.	Switch on machine.
	Sensor temperature too high.	Check for air obstruction. Let the motor cool down.
	Faulty switch.	Replace switch. Request service call.
Brush motor is off.	Machine unplugged.	Plug the machine in.
	Brush switch off.	Switch brush on.
	Wand not installed correctly.	Re-install wand.
RED LIGHT ON.	Brush motor obstructed.	Unplug machine and inspect for obstruction.
RED & GREEN LIGHT ON.	Brush drive belt broken.	Request service call. Request service call.
Full bag indicator flashes.	Dust bag full.	Replace dust bag.
	Hose and wand blocked.	Inspect for obstruction.
	Power brush inlet blocked.	Inspect for obstruction.
	Inlet filter blocked.	Clean or replace inlet filter.
	Deflector port sealing in top of housing.	Check for free movement.
Low suction.	Dust bag full.	Replace bag.
	Full bag indicator flashes.	See Full Bag Indicator Flashes.
Poor pick up.	Wand not installed correctly.	Re-install wand.
	Brush not adjusted correctly.	Adjust brush height knob to conform to carpet thickness (pile).
Brush worn.		Request service call.
		Replace brush.

PLACING AN ORDER

Orders may be placed by phone, fax, or by mail. Phone orders may need written confirmation. Follow the steps below to insure prompt delivery:

1. Identify the model number of your machine.
2. Identify the serial number of your machine.
3. Find the part number of the part you need. Do not order by page number or reference number. If you are not able to find the part number, call your representative for help or send the old part as a sample.
4. Determine the quantity of the part you need.
5. Provide the following company information:
 - Company name
 - Customer ID Number
 - Shipping address
 - Billing address
 - First and last name of person ordering parts
 - Telephone number
 - Purchase order number

6. Provide definitive shipping instructions.

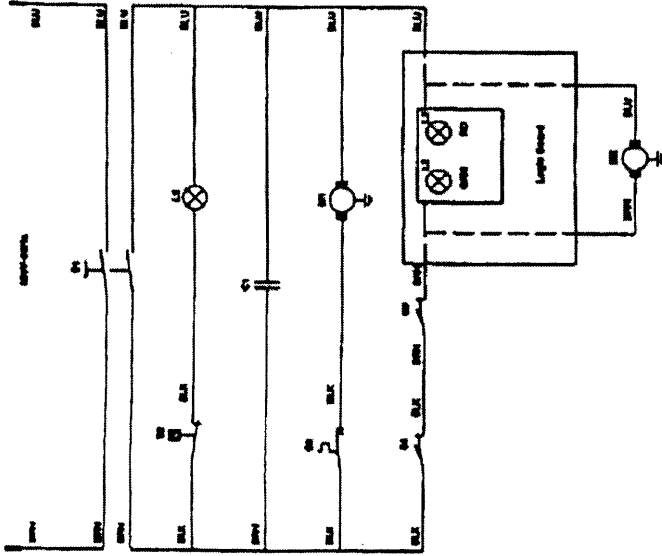
Any claim for loss or damage to a shipment in transit should be filed promptly with the transportation company making the delivery.

FINDING A PART NUMBER

The parts illustrations are numbered with **Ref** numbers which refer to corresponding parts lists. The parts lists include a number of columns of information:

- **Ref** - column refers to the reference number on the parts illustration.
- **Part No.** - column lists the part number for the part.
- **Description** - column is a brief description of the part.
- **Qty.** - column lists the quantity of that part used in that area of the machine.

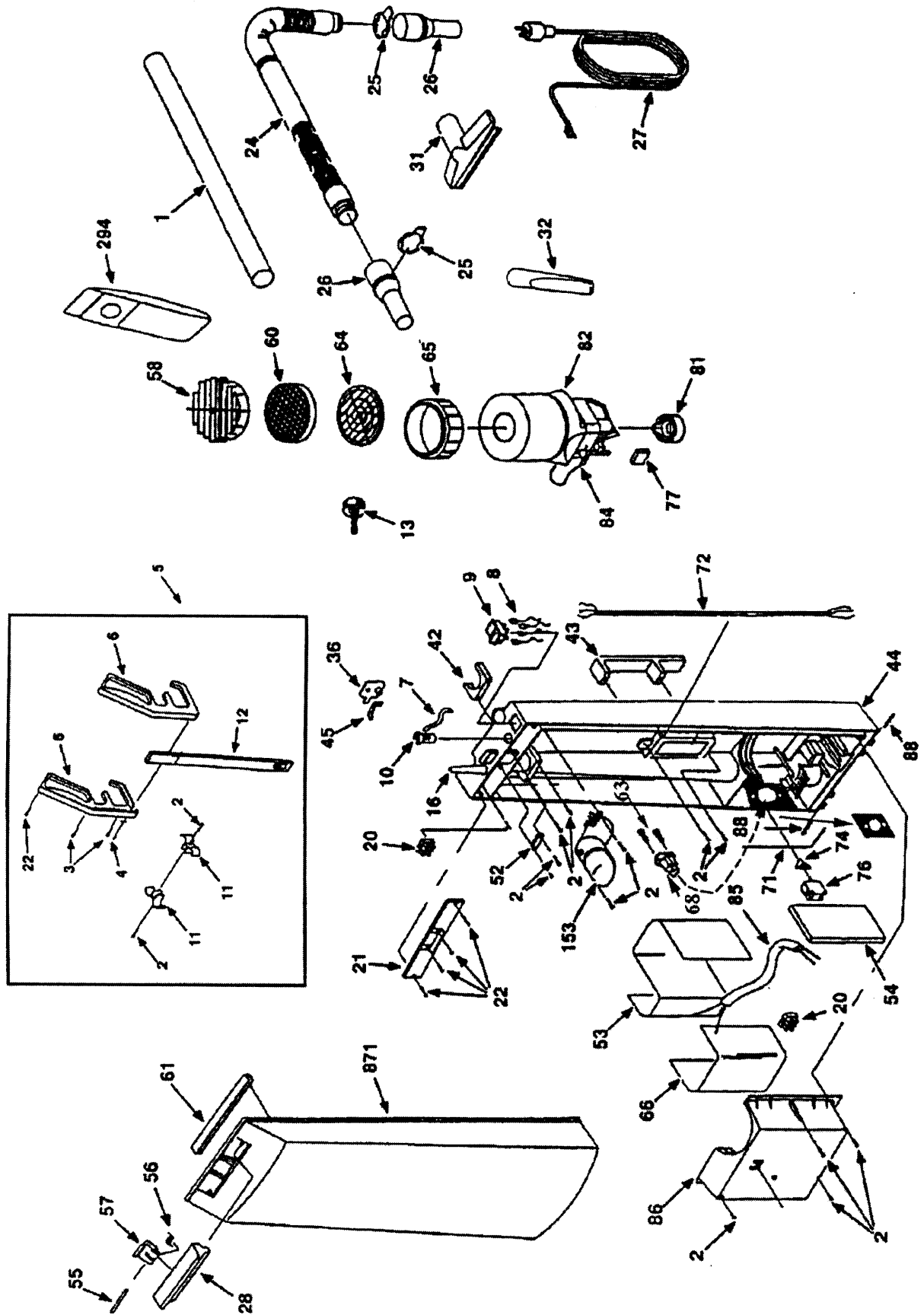
ELECTRICAL DIAGRAM-ELEKTRISCHES SYSTEM-SYSTEME ÉLECTRIQUE-ELEKTRISCH SYSTEM-SISTEMA ELÉCTRICO-SYSTÈME ÉLECTRIQUE



LEGENDA	LEGENDE	LEGENDE	LEGENDE	LEGENDE
BK	Black	Schwarz	Noir	Zwart
BRN	Brown	Braun	Brun	Bruin
BLU	Blue	Blaü	Bleü	Blaüw
C1	Anti-interference capacitor	Kondensator	Condensateur	Condensator
GRN	Green	Grün	Vért	Groen
L1	Full Bag light	Lampe Staub-Beutel voll	Lumière Sac de plein	Lamp'volle Stofzak
L2 & L3	Brush Alert Light	Lampe Bürstenbetriebs anzeige	Lumière Alarme la brosse	Lamp; Borstel waarschuwing
Logic Board	Logic Board	Steuer-Elektronik	Tableau Logique	Print Plaat
M1	Vacuum Fan Motor	Absaugventilatormotor	Moteur turbine d'aspiration	Motor de aspirador
M2	Brush Motor	Bürsten-Antriebsmotor	Moteur de brosse	Motor del cepillo
RD	Red	Rot	Rouge	Rojo
S1	Main Switch	Schalter 1:Haupt	Interrupteur 1:de réseau	Interruptor 1:de la red
S2	Vacuum Switch	Schalter 2:Vakuumdrück	Interrupteur 2:Pression d'aspiration	Interruptor 2:Presión de aspirador
S3	Thermal Switch	Schalter 3:Thermisch	Interrupteur 3:Thermique	Interruptor 3:Termico
S4	Suction Tube Switch	Schalter 4:Sauge-Rohr	Interrupteur 4:Tuyau d'aspiration	Interruptor 4:Tubo de aspirador
S5	Lever Switch	Schalter 5:Hebel	Interrupteur 5:Levier	Interruptor 5:Palanca

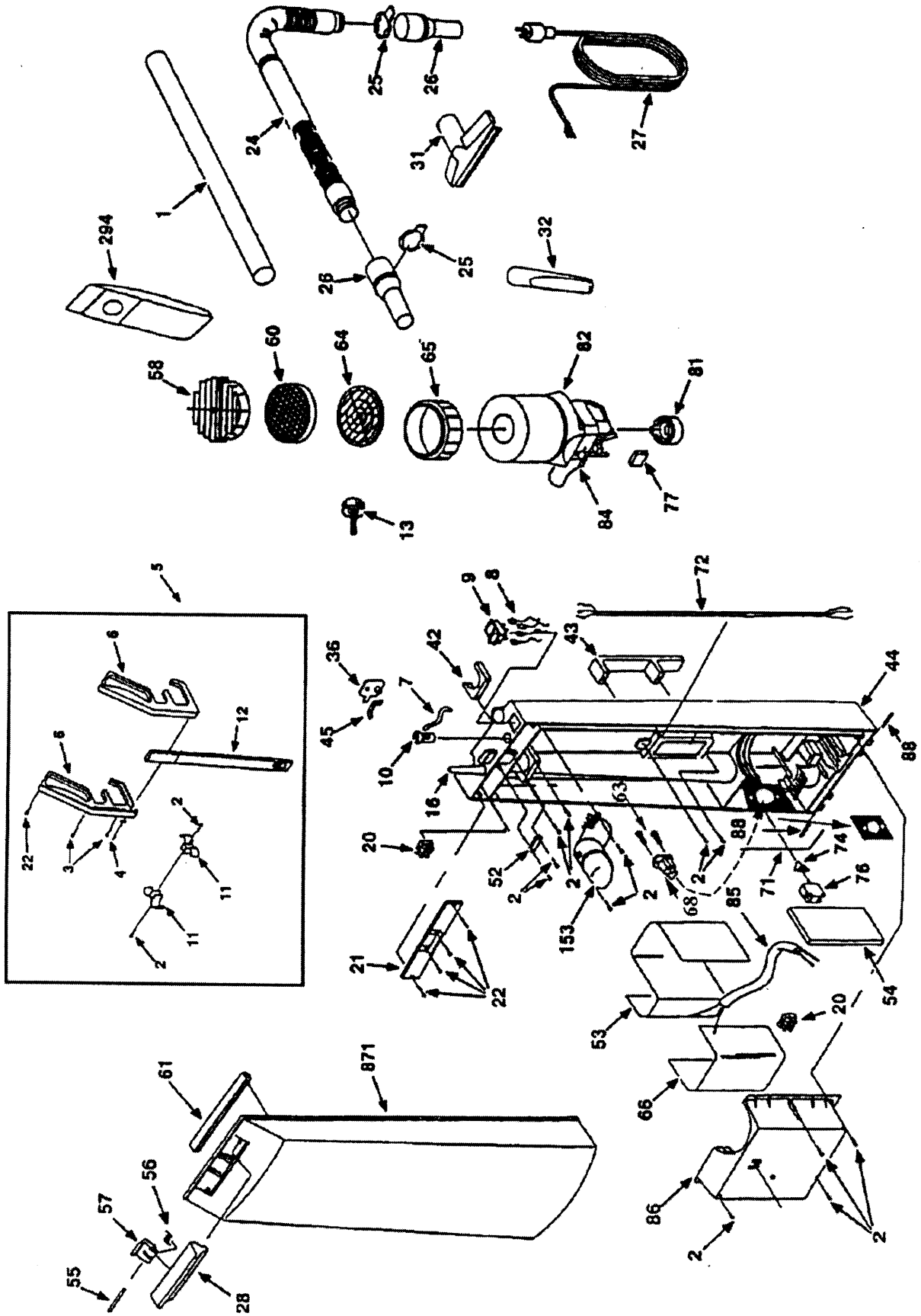
A

FIG. I - UPPER UNIT - OBERTEIL - PARTIE DU SUPÉRIEURE - BOVENSTUK - PARTE SUPERIOR - PARTE SUPERIORE.



B

FIG. 1 - UPPER UNIT - OBERTEIL - PARTIE DU SUPÉRIEURE - BOVENSTUK - PARTE SUPERIOR - PARTE SUPERIORE.



PARTS LIST - ERSATZTEILLISTE - LISTE DES PIÈCES - ONDERDELENLIJST - LISTA DE REPUESTOS - LISTA COMPONENTI

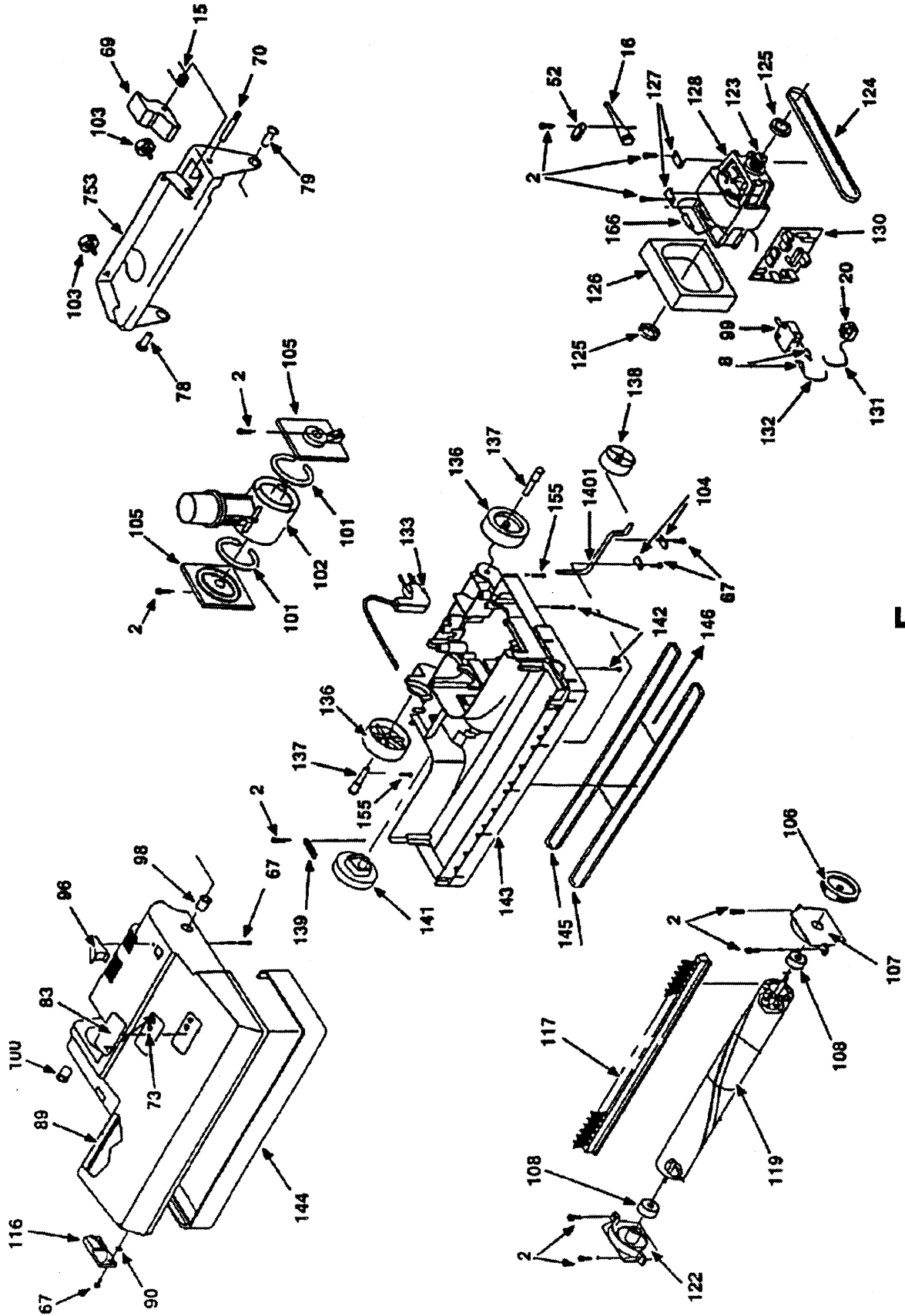
FIG.1 - UPPER UNIT - OBERTEIL - PARTIE DU SUPÉRIEURE - BOVENSTUK - PARTE SUPERIOR - PARTE SUPERIORE-

Ref.	Part No.	Description	Bezeichnung	Designation	Omschrijving	Descripción	Descrizione	Qty./ Zahl
53	04.0053.0	Foam, Vac Motor	Isolation, motor	Isolation, moteur	Isolatie, motor	Aislante, motor	Protezione motore	1
54	04.0054.0	Filter	Filter	Filter	Filter	Filter	Filter	1
55	06.0055.0	Latch, Shaft	Sperre	Loquet	Klink	Pestillo	Supporto albero	1
56	25.0015.0	Spring	Feder	Ressort	Veer	Muelle	Molla	1
57	06.0057.0	Lock, Cover	Schlob	Verrou	Slot	Cerradura, tapa	Supporto coperchio	1
58	04.0058.0	Holder, Filter	Halter	Support	Houder	Soporte, filtro	Supporto filtro	1
60	04.0060.0	Disc, Filter	Scheibe	Disque	Schijf	Disco, filtro	Disco filtro	1
61	06.0061.0	Gasket	Dichtung	Joint	Pakking	Junta	Guarnizione	1
63	00.0002.42	Screw, 3 x 8	Schraube	Vis	Schroef	Tornillo	Vite, M3-8	2
64	04.0064.0	Grill, Filter	Glitter	Pare-pierres	Gril	Rejilla, filtro	Griglia filtro	1
65	05.0065.0	Gasket, Motor Upper	Dichtung, oben	Joint, supérieur	Pakking, bovenste	Junta, superior	Guarnizione superiore	1
66	04.0066.0	Foam, Vac motor	Isolation, motor	Isolation, moteur	Isolatie, motor	Aislante, motor	Protezione motore	1
68	04.0069.0	Receptacle, 2 Pole	Kontakthülse	Contre-fische	Kontrastekker	Contra-clavija	Presa a due poli	1
68	04.0068.0	Receptacle, 3 Pole	Kontakthülse	Contre-fische	Kontrastekker	Contra-clavija	Presa a tre poli	1
71	04.0071.0	Gasket	Dichtung	Joint	Pakking	Junta	Guarnizione	1
72	04.0072.11	Cable 220-240V.	Kabel	Câble	Kabel	Cable	Cavo 220-240V	1
72	04.0072.10	Cable 110V.	Kabel	Câble	Kabel	Cable	Cavo 110V	1
72	04.0082.11	Cable 110V, CSA	Kabel	Câble	Kabel	Cable	Cavo 110V csa	1
74	04.0074.0	Switch, Actuator	Schalter	Interrupteur	Schakelaar	Interruptor	Interruttore attuatore	1
76	04.0076.0	Micro Switch, Open	Mikroschalter	Microrupteur	Micro-schakelaar	Microinterruptor	Microinterruttore aperto	1
77	05.0077.0	RFI Suppressor	Unterdrücker	Oppresseur	Onderdrukker	Opressor	Filtro antiradiodisturbi	1
81	05.0081.0	Gasket, Motor Lower	Dichtung, untere	Joint, inférieur	Pakking, onderste	Junta, inferior	Guarnizione bassa	1
82	05.0082.2	Motor, Vac 230 V.	Saugmotor	Moteur d' aspiration	Zuigmotor	Motor de aspiración	Motore aspirazione 230V	1
82	05.0083.0	Motor, Vac 110V.	Saugmotor	Moteur d' aspiration	Zuigmotor	Motor de aspiración	Motore aspirazione 110V	1
84	05.0084.0	Thermal Cut Out	Therm. Sicherung	Protection Thermique	Therm. beveiliging	Term. protección	Protezione termica	1
85	00.0085.0	Cable	Kabel	Câble	Kabel	Cable	Cavo	1
86	04.0086.0	Housing, Vac Motor	Gehäuse	Carter	Huis	Cárter	Alloggiamento motore	1
88	04.0088.0	Shaft, Front Cover	Welle	Arbre	As	Eje	Albero	2
153	04.0155.0	Fitting, Bag Mount	Beschlag	Montage	Fitting	Soporte saco	Supporto sacco	1
294	02.0150.0	Bag, Paper	Beutel, papier	Sac, papier	Zak, papier	Saco, papel	Sacco carta	1
871	06.0871.x	Door, Vac Housing	Klappe	Porte	Deur	Puerta cárter	Porte alloggiamento	1
06.0061.0	Gasket, Door	Dichtung	Dichtung	joint	Pakking	Junta	Guarnizione porta	1

x = color code

E

FIG.2-LOWER UNIT-UNTERTEIL-PARTIE DU INFÉRIEURE-ONDERSTUK-PARTE INFERIOR-PARTE INFERIORE



F

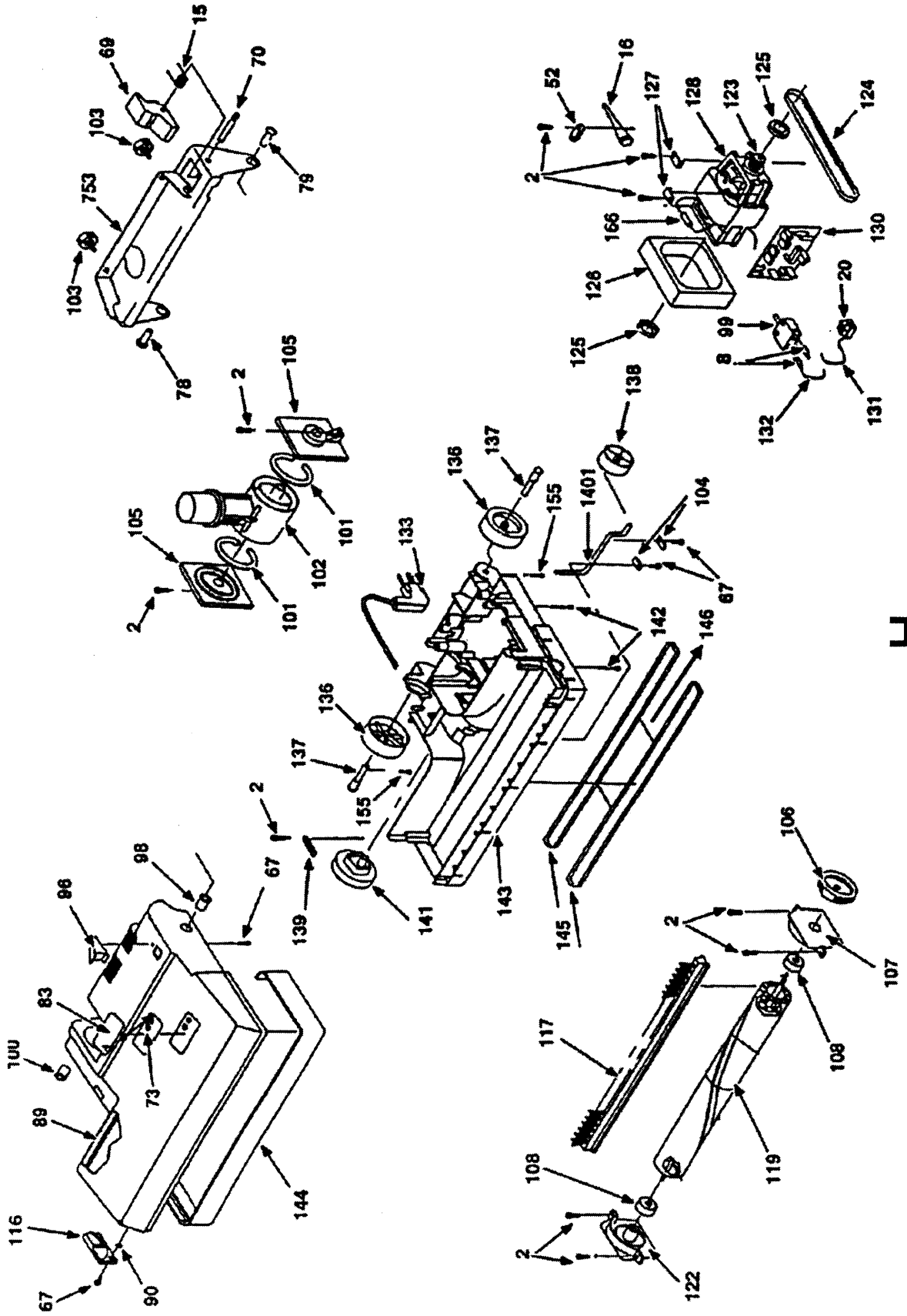
FIG.2-LOWER UNIT-UNTERTEIL-PARTIE DU INFÉRIEURE-ONDERSTUK-PARTE INFERIOR-PARTE INFERIORE

Ref.	Part No.	Description	Bezeichnung	Designation	Omschrijving	Descripción	Descrizione	QTY./ Zahl
2	00.0002.3	Screw, 4 x 16	Schraube	Vis	Schroef	Tornillo	Vite, 4 x 16	10
16	00.0016.0	Strain Relief	Abdeckung	de Décharge	Ontlaster	Válvula de descarga	Valvola scarico	1
20	20.0024.5	Block, Terminal	Block	Bloc	Blok	Bloque	Blochetto	1
52	00.0052.0	Clamp	Klemmschelle	Attache	Klem	Abrazadera	Morsetto	1
67	00.0002.7	Screw, 4 x 10	Schraube	Vis	Schroef	Tornillo	Vite, 4 x 10	3
69	11.0069.0	Release, Handle	Ausrückhebel	Levier de Débrayage	Ontkoppelingshendel	Palanco desembrague	Sblocco	1
70	11.0070.0	Pin	Bolzen	Axe	Pen	Pasador	Fermo	1
73	12.0073.0	Decal, LED English	Aufkleber English	Autocollant Anglais	Plakplaatje Engels	Calcomania Ingles	Adesivi LED Inglese	1
73	12.0073.1	Decal, LED German	Aufkleber Deutsch	Autocollant Allemand	Plakplaatje Duits	Calcomania	Adesivi LED Tedesco	1
78	11.0078.0	Screw, RH	Schraube	Vis	Schroef	Tornillo	Vite RH	1
79	11.0079.0	Screw, LH	Schraube	Vis	Schroef	Tornillo	Vite LH	1
83	12.0083.0	Cover, LED	Deckel	Couvercle	Deksel	Tapa	Coperchio LED	1
89	12.0089.x	Housing, Brush Upp.	Gehäuse, Bürste	Carter, Brosse	Huis, Borstel	Carter, Cepillo	Alloggiamente spazzola	1
90	00.0090.0	Washer, Lock	Federring	Rondelle-frein	Sluitring	Arandela de cierre	Rondella freno	1
96	12.0096.0	Latch	Sperrle	Loquet	Klink	Pestillo	Serratura	1
98	12.0098.0	Ring, Plastic LH	Ring	Anneau	Ring	Anillo	Anello plastica	1
99	16.0099.0	Micro Switch, Closed	Mikroschalter	Microrupteur	Micro-schakelaar	Microinterruptor	Micro interruttore	1
100	12.0099.0	Ring, Plastic RH	Ring	Anneau	Ring	Anillo	Anello plastica	1
101	13.0101.0	Gasket	Dichtung	Joint	Pakking	Junta	Guarnizione	2
102	13.0102.0	Swivel, Intake	Drehgelenk	Pivot	Draaikop	Pivote	Adattatore a snodo	1
103	11.0103.0	Screw	Schraube	Vis	Schroef	Tornillo	Vite	2
104	14.0104.0	Clips	Spange	Agafe	Klem	Pinza de sujeción	Fermaglio	2
105	13.0105.0	Plate, Guide	Führungplatte	Plaque-guide	Geleiderplaat	Placa guia	Placca	2
106	17.0106.0	Pulley, Brush	Riemenscheibe	Poulie, Brosse	Poelie, Borstel	Polea, Cepillo	Puleggia spazzola	1
107	17.0107.0	Support, Roller RH	Abstützung, Rolle	Support, Galet	Steun, Rol	Soporte, Rodillo	Supporto rullo	1
108	17.0108.0	Bearing, Brush	Lager	Pallier	Lager	Cojinete	Cuscinetto spazzola	2
116	12.0116.0	Cover, Brush Access	Deckel	Carter	Deksel	Tapa acceso cepillo	Carter spazzola	1
117	17.0117.0	Brush Strip	Bürste	Brosse	Borstel	Cepillo	Guarnizione spazzola	1
119	17.1111.0	Roller Assembly	Rolle	Galet	Rol	Rodillo, c/ro	Rullo	1

x = color code

G

FIG.2-LOWER UNIT-UNTERTEIL-PARTIE DU INFÉRIEURE-ONDERSTUK-PARTE INFERIOR-PARTE INFERIORE



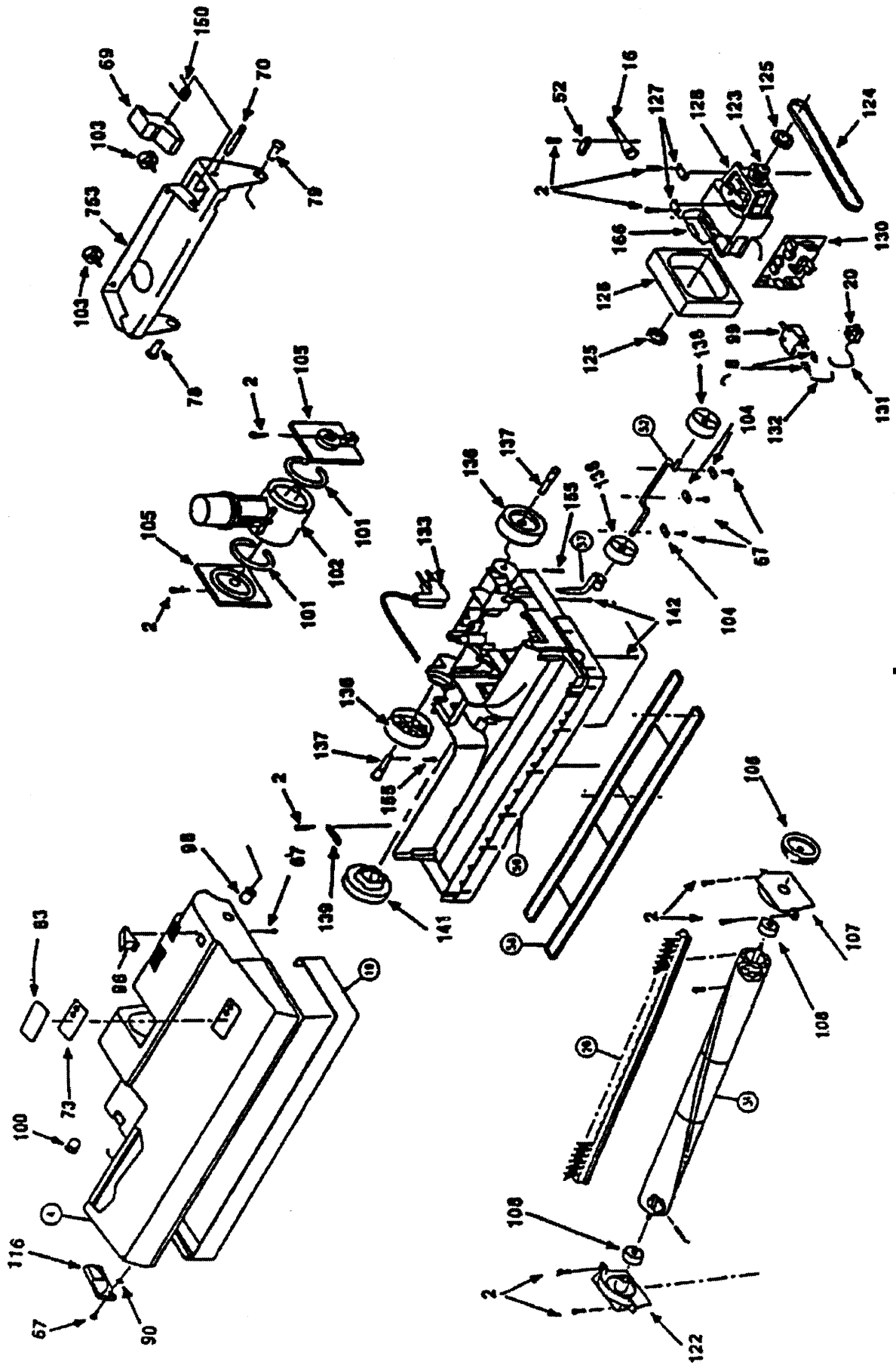
PARTS LIST - ERSATZTEILLISTE - LISTE DES PIÈCES - ONDERDELENLIJST - LISTA DE REPUESTOS - LISTA COMPONENTI

FIG.2-LOWER UNIT-UNTERTEIL-PARTIE DU INFIEURE-ONDERSTUK-PARTE INFERIOR-PARTE INFERIORE

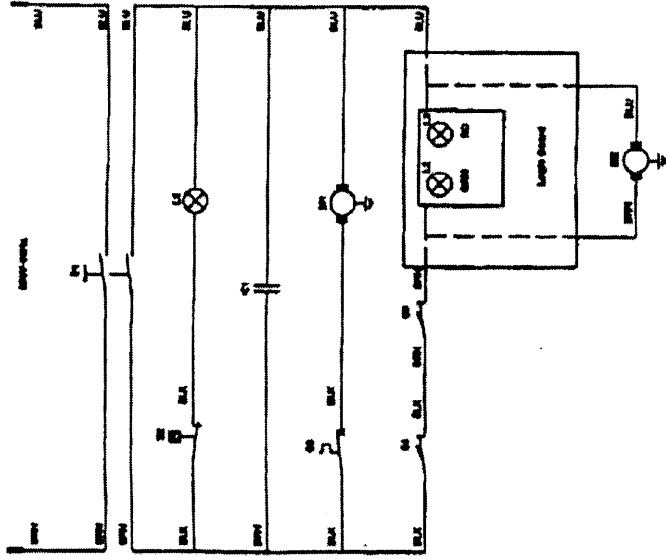
Ref.	Part No.	Description	Bezeichnung	Designation	Omschrijving	Descripción	Descrizione	Qtd./ Zahl
122	17.0122.0	Support, Roller LH	Abstützung, Rolle	Support, Galet	Steun, Rol	Soporte, Rodillo	Supporto rullo	1
123	16.0123.0	Pulley, Motor	Riemenscheibe	Poulie, Moteur	Poele, Motor	Polea, Motor	Puleggia motore	1
124	16.0124.0	Belt	Riemen	Courroie	Riem	Correa	Cinghia	1
125	16.0125.0	Ring, Rubber	Ring	Anneau	Ring	Anillo	Anello	2
126	16.0126.0	Foam, Brush Motor	Isolation	Isolation	Isolatie	Aislante	Protezione motore	1
127	14.0104.0	Clamp, Brush Motor	Klemmschelle	Attache	Klem	Abrazadera	Attacco spazzola motore	2
128	16.0128.0	Motor, Brush 110V	Motor, Bürste	Motor, Brosse	Motor, Borstel	Motor, Cepillo	Motore spazzola 110V	1
128	16.0128.1	Motor, Brush 220-240 V.	Motor, Bürste	Motor, Brosse	Motor, Borstel	Motor, Cepillo	Motore spazzola 220V	1
130	16.0130.3	Control, Brush Elec. 220-240 V.	Steuerelektronik	Commande-Circuit	Printplaat	Tablero Electrico	Comando circuito elettrico spazzola 220-240V	1
130	16.0130.4	Control, Brush elec. 110V.	Steuerelektronik	Commande-Circuit	Printplaat	Tablero Electrico	Comando circuito elettrico spazzola 110V	1
130	16.0130.5	Control, Brush elec. 110V, CSA	Steuerelektronik	Commande-Circuit	Printplaat	Tablero Electrico	Comando circuito elettrico spazzola 110V CSA	1
133	16.0133.7	Plug, with Cord 3 Pole	Stecker mit Kabel	Fische avec Câble	Stekker met Kabel	Clavija con Cable	Spina con cavo a 3 poli	1
133	16.0133.9	Plug, with Cord 2 Pole	Stecker mit Kabel	Fische avec Câble	Stekker met Kabel	Clavija con Cable	Spina con cavo a 2 poli	1
136	14.0136.0	Wheel, Rear	Rad, hinten	Roue, arrière	Wiel, Achter	Rueda, posterior	Ruota posteriore	2
137	14.0137.0	Shaft, Wheel	Welle	Axe	As	Eje	Albero ruota	2
138	14.0138.0	Caster, Front	Schwenkrad	Roulette	Zwenkwiel	Rueda orientable	Ruota orientabile	1
139	14.0139.0	Spring	Feder	Ressort	Veer	Muelle	Molla	1
141	14.0141.0	Knob	Knopf	Bouton	Knop	Perilla	Manopola	1
142	00.0002.5	Screw, 5 x 40	Schraube	Vis	Schroef	Tornillo	Vite 5 x 40	5
143	14.0143.x	Housing, Brush Low.	Gehäuse	Carter	Huis	Carter	Alloggiamento spazzola	1
144	12.0144.x	Bumper	Stoßstange	Parachocs	Bumper	Parachoques	Paracolpi	1
145	14.0145.0	Protector, Brush	Schutzrahmen	Protecteur	Beschermer	Protector	Protezione spazzola	2
150	11.0105.0	Spring	Feder	Ressort	Veer	Muelle	Molla	1
155	00.0002.6	Screw, 3 x 16	Schraube	Vis	Schroef	Tornillo	Vite 3 x 16	2
166	16.0166.0	Thermal Overload	Therm. Sicherung	Therm. protection	Therm. beveiliging	Term. protección	Protezione termica	1
753	11.0753.0	Bracket, Swivel	Halter	Support	Steun	Soporte	Supporto	1
1401	14.1401.0	Front castor shaft	Asche	Axe	Voorwiel as	Eje	Asse	1
146	14.0146.0	Brush Protector wire	Schutzrahmendraht	Protecteur fil	Beschermdraad	Protector hilo		1

x = color code

FIG.2-LOWER UNIT-PARTIE DU INFERIEURE-ONDERSTUK-PARTE INFERIOR-PARTE INFERIORE



ELECTRICAL DIAGRAM-ELEKTRISCHES SYSTEM-SYSTEME ÉLECTRIQUE-ELEKTRISCH SYSTEM-SISTEMA ELÉCTRICO-SYSTÈME ÉLECTRIQUE



LEGEND	LEGENDE	LEGENDA	LEGENDA	LEGENDA
BLK	= Schwarz	Noir	Zwart	Negro
BRN	= Braun	Brun	Bruin	Marrón
BLU	= Blau	Bleu	Blauw	Azul
C1	= Kondensator	Kondensateur	Condensator	Condensador
GRN	= Grün	Vert	Groen	Verde
L1	= Lampe: Saub-Beutel voll	Lumière: Sac de plein	Lamp: Volle Sack	Lámpara: Saco de Pleno
L2 & L3	= Lampe: Bürstenbetriebs anzeige	Lumière: Alarme la brosse	Lamp: Borstel waarschuwing	Lámpara: Alarma del cepillo
Logic Board	= Steuer-Elektronik	Tableau Logique	Print Plaat	Tabla Calculadora
M1	= Vacuum Fan Motor	Absaugeventilatormotor	Ventilatormotor	Motor de aspirador
M2	= Brush Motor	Bürsten-Antriebsmotor	Borstelmotor	Motor del cepillo
RD	= Red	Rouge	Rood	Rosjo
S1	= Main Switch	Schalter 1: Haupt	Schakelaar 1: aan/uit	Interruptor 1: de la red
S2	= Vacuum Switch	Schalter 2: Vakuumdruck	Schakelaar 2: Vakuumdruk	Interruptor 2: Presión de aspirador
S3	= Thermal Switch	Schalter 3: Thermisch	Schakelaar 3: Thermisch	Interruptor 3: Termico
S4	= Suction Tube Switch	Schalter 4: Sauge-Rohr	Schakelaar 4: Zuigslang	Interruptor 4: Tubo de aspirador
S5	= Lever Switch	Schalter 5: Hebel	Schakelaar 5: Handel	Interruptor 5: Palanca
BLK	= Black	Noir	Zwart	Negro
BRN	= Brown	Brun	Bruin	Marrón
BLU	= Blue	Bleu	Blauw	Azul
C1	= Anti-interference capacitor	Kondensateur	Condensator	Condensador
GRN	= Green	Vert	Groen	Verde
L1	= Full Bag light	Lumière: Sac de plein	Lamp: Volle Sack	Lámpara: Saco de Pleno
L2 & L3	= Brush Alert Light	Lumière: Alarme la brosse	Lamp: Borstel waarschuwing	Lámpara: Alarma del cepillo
Logic Board	=	Tableau Logique	Print Plaat	Tabla Calculadora
M1	= Vacuum Fan Motor	Absaugeventilatormotor	Ventilatormotor	Motor de aspirador
M2	= Brush Motor	Bürsten-Antriebsmotor	Borstelmotor	Motor del cepillo
RD	= Red	Rouge	Rood	Rosjo
S1	= Main Switch	Schalter 1: Haupt	Schakelaar 1: aan/uit	Interruptor 1: de la red
S2	= Vacuum Switch	Schalter 2: Vakuumdruck	Schakelaar 2: Vakuumdruk	Interruptor 2: Presión de aspirador
S3	= Thermal Switch	Schalter 3: Thermisch	Schakelaar 3: Thermisch	Interruptor 3: Termico
S4	= Suction Tube Switch	Schalter 4: Sauge-Rohr	Schakelaar 4: Zuigslang	Interruptor 4: Tubo de aspirador
S5	= Lever Switch	Schalter 5: Hebel	Schakelaar 5: Handel	Interruptor 5: Palanca
BLK	= Black	Noir	Zwart	Negro
BRN	= Brown	Brun	Bruin	Marrón
BLU	= Blue	Bleu	Blauw	Azul
C1	= Anti-interference capacitor	Kondensateur	Condensator	Condensador
GRN	= Green	Vert	Groen	Verde
L1	= Full Bag light	Lumière: Sac de plein	Lamp: Volle Sack	Lámpara: Saco de Pleno
L2 & L3	= Brush Alert Light	Lumière: Alarme la brosse	Lamp: Borstel waarschuwing	Lámpara: Alarma del cepillo
Logic Board	=	Tableau Logique	Print Plaat	Tabla Calculadora
M1	= Vacuum Fan Motor	Absaugeventilatormotor	Ventilatormotor	Motor de aspirador
M2	= Brush Motor	Bürsten-Antriebsmotor	Borstelmotor	Motor del cepillo
RD	= Red	Rouge	Rood	Rosjo
S1	= Main Switch	Schalter 1: Haupt	Schakelaar 1: aan/uit	Interruptor 1: de la red
S2	= Vacuum Switch	Schalter 2: Vakuumdruck	Schakelaar 2: Vakuumdruk	Interruptor 2: Presión de aspirador
S3	= Thermal Switch	Schalter 3: Thermisch	Schakelaar 3: Thermisch	Interruptor 3: Termico
S4	= Suction Tube Switch	Schalter 4: Sauge-Rohr	Schakelaar 4: Zuigslang	Interruptor 4: Tubo de aspirador
S5	= Lever Switch	Schalter 5: Hebel	Schakelaar 5: Handel	Interruptor 5: Palanca

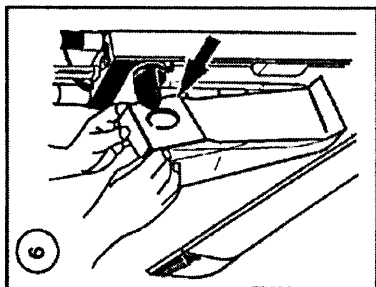
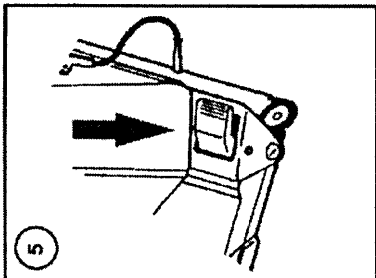
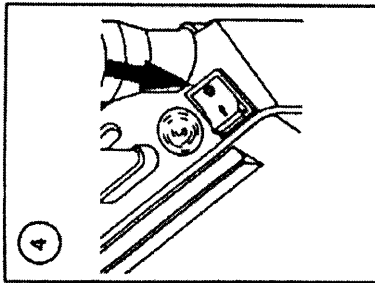
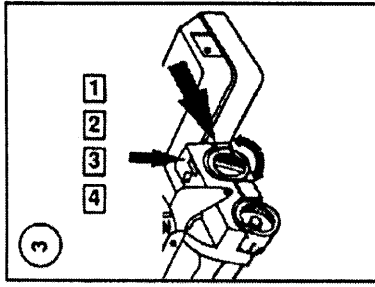
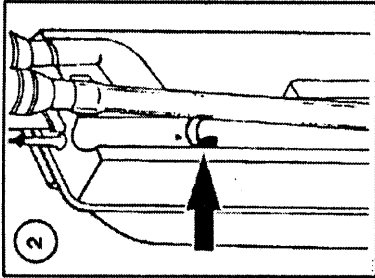
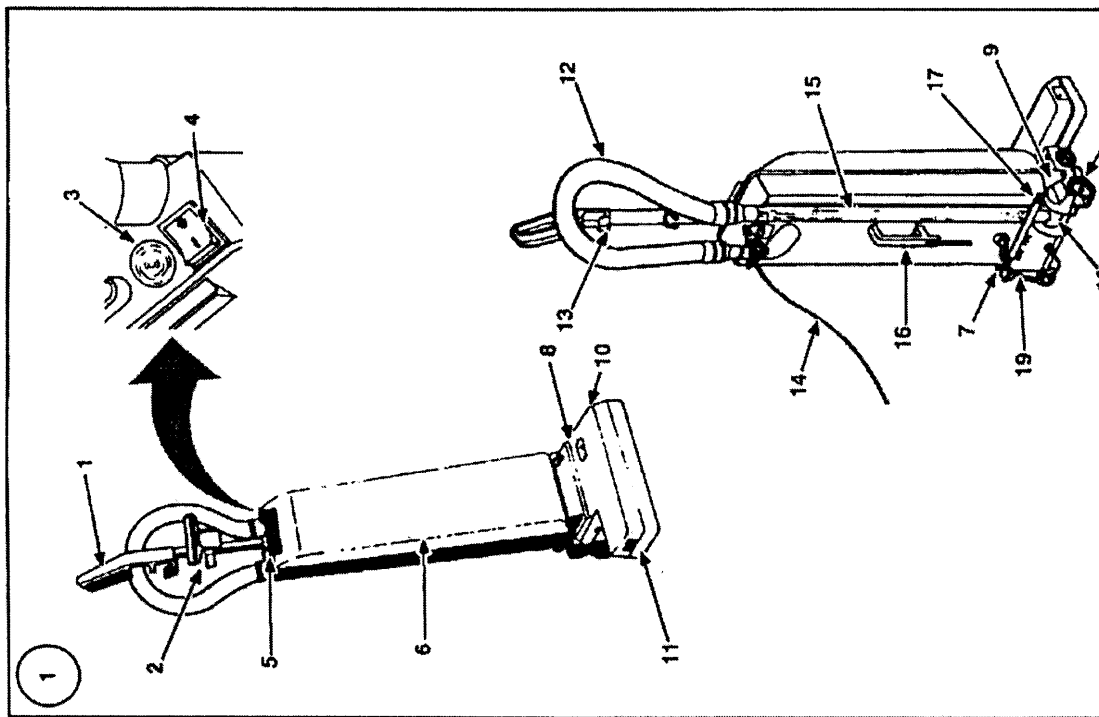


Diagram 7: A legend for the symbols used in the diagrams. It consists of a 2x2 grid of circles. The top row contains a solid black circle, a solid black circle, and an open circle. The bottom row contains an open circle, a solid black circle, and a solid black circle. To the right of the grid is the text:

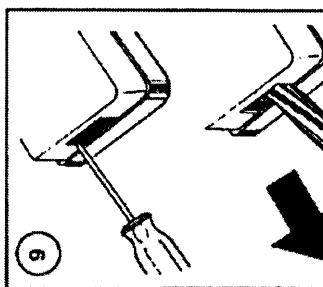
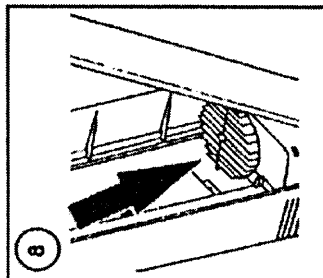
CLEAR OPERATING
BELT OUT/BROKEN
BRUSH BLOCKED

Очищено
 Пояс вылетел/разорван
 Щетки заклинили

● ● ○
 ○ ● ●

Очищено
 Пояс вылетел/разорван
 Щетки заклинили

● ● ○
 ○ ● ●



BETCO US WARRANTY POLICY

10 year coverage

Subject to the conditions stated below, Betco warrants parts and labor on rotationally molded polyethylene tanks/housings and injection molded vacuum head assemblies to be free from defects in materials and workmanship for a period of ten years to the original purchaser.

3 Year Coverage

Subject to the conditions stated below, Betco warrants parts and labor on all other Betco components to be free from defects in materials and workmanship for a period of three years to the original purchaser.

1 Year Coverage

Subject to the conditions stated below, Betco offers a limited warranty on parts and labor on the following equipment: parts and accessories to be free from defects in materials and workmanship for a period of one year to the original purchaser.

- DM Series Vacuums: #85506-00, #85507-00
- Bac Pac Lite Vacuum: #85903-00
- FiberPRO® Floor Dryer: #85507-00
- WORKMAN™ Series Vacuums: #85024-00, #85025-00, #85026-00, #85027-00
- CV100T Vacuum: #85023-00
- All Tools and Accessories
- All Battery Chargers
- All Batteries are pro-rated for 1 year

Allowable Travel Time Warranty Reimbursement:

Eligible equipment: All battery and propane powered equipment products. Warranty period: 90 days from date of sale to the original purchaser. A maximum 60 mile round trip at 44 cents per mile will be allowed for warranty consideration.

Propane Machine Warranty:

Honda engines are warranted by Honda for a period of 2 years against manufacturer defects. Kawasaki engines are warranted by Kawasaki for a period of 2 years against manufacturer defects. All other components (except wear items)* are warranted by Betco for a period of 3 years.

***Wear Items exempt from Warranty consideration include but may not be limited to: power cords, transport wheels, vacuum bags, belts, squeegee blades, pad drivers, clutch plates, handle grips, filters, screens, throttle cables, brushes and carbon brushes.**

Subject to the conditions and exceptions stated in this warranty, Betco warrants the Betco products to be free from defects in material and workmanship, under normal use and service, for the periods listed under the warranty policy to the original purchaser. At any time during the warranty period, Betco will furnish replacement parts for the Betco parts to the original purchaser. Such parts will be furnished and charged including transportation costs, to the original owner through any Betco authorized Service Distributor. If the original part is returned within the warranty policy period from date of delivery for inspection by Betco and is found to be defective the owner will be credited for the cost of replacement parts plus shipping and handling. Replacement parts that have become defective through wear or abuse are not included in this warranty.

This warranty does not apply to damage or defect caused by accident, misuse, negligence, fire, or to any Betco product which has been serviced or repaired by other than an authorized Betco Service Distributor or Betco factory personnel. This warranty is void if products are used for any purpose other than that which was intended. There are no other warranties expressed or implied. In no event shall Betco be liable for incidental or consequential damages or any damage to person or property. (Please note some states do not allow the exclusion or limitations for incidental and consequential damages)

