



## Electronic Service Manuals

This electronic document is provided as a service to our customers. We do not create the contents of the information contained in this document. Should you have detailed questions pertaining to the information contained in this document, you may contact Michco, or the manufacturer which provided the original information in this electronic deliverable. Michco's only part in this electronic deliverable was the electronic assembly process. By providing this manual on line we are not guaranteeing parts availability.

You may contact Michco through the following methods:

Phone (517) 484-9312 or (800) 331-3339

2011 N. High St. -- Lansing, Michigan -- 48906

Fax: (517) 484-9836

Email: [CustServe@Michco.com](mailto:CustServe@Michco.com)

Web site: [www.Michco.Com](http://www.Michco.Com)

Parts Web site: [www.FloorMachineParts.Com](http://www.FloorMachineParts.Com)

Order Parts on Line at:

**[www.FloorMachineParts.Com](http://www.FloorMachineParts.Com)**

Directly to Parts & Service:

By Email: **[Shop@Michco.com](mailto:Shop@Michco.com)**

By Fax: (517) 702-2041

By Voice: Use numbers above.

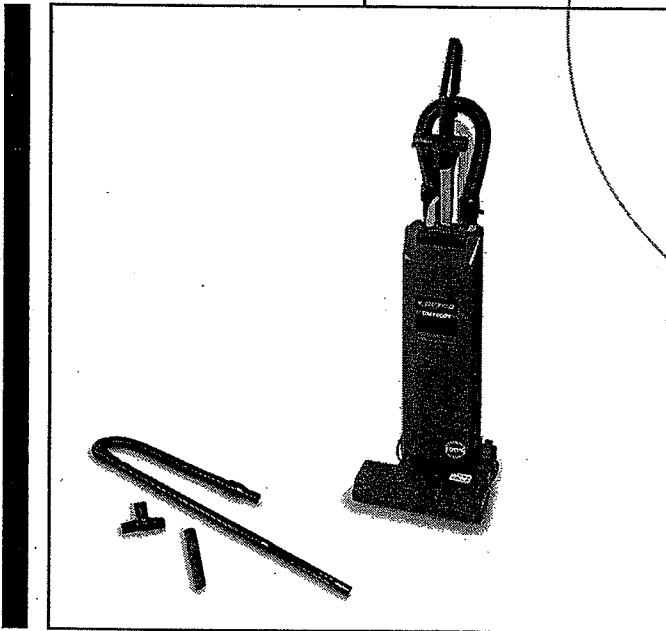
**Serving the Cleaning Industry Since 1922**

Notice: All copyrighted material remains property of original owners, all trademarks are property of respective owners. Manuals are subject to Manufacturer's reproduction limitations. Originals or reproductions were provided by manufacturers through a request. We make no warranty as to the correctness of information provided in this document and you assume all risk. By placing these manuals on line we are not declaring our corporation to be an manufacturer authorized dealer or provider, please check our web site for authorized manufacturers we represent.

# DM1400T 14" Dual Motor Upright Vacuum

Item #E85806-00

## Operator's Manual Parts Schematic

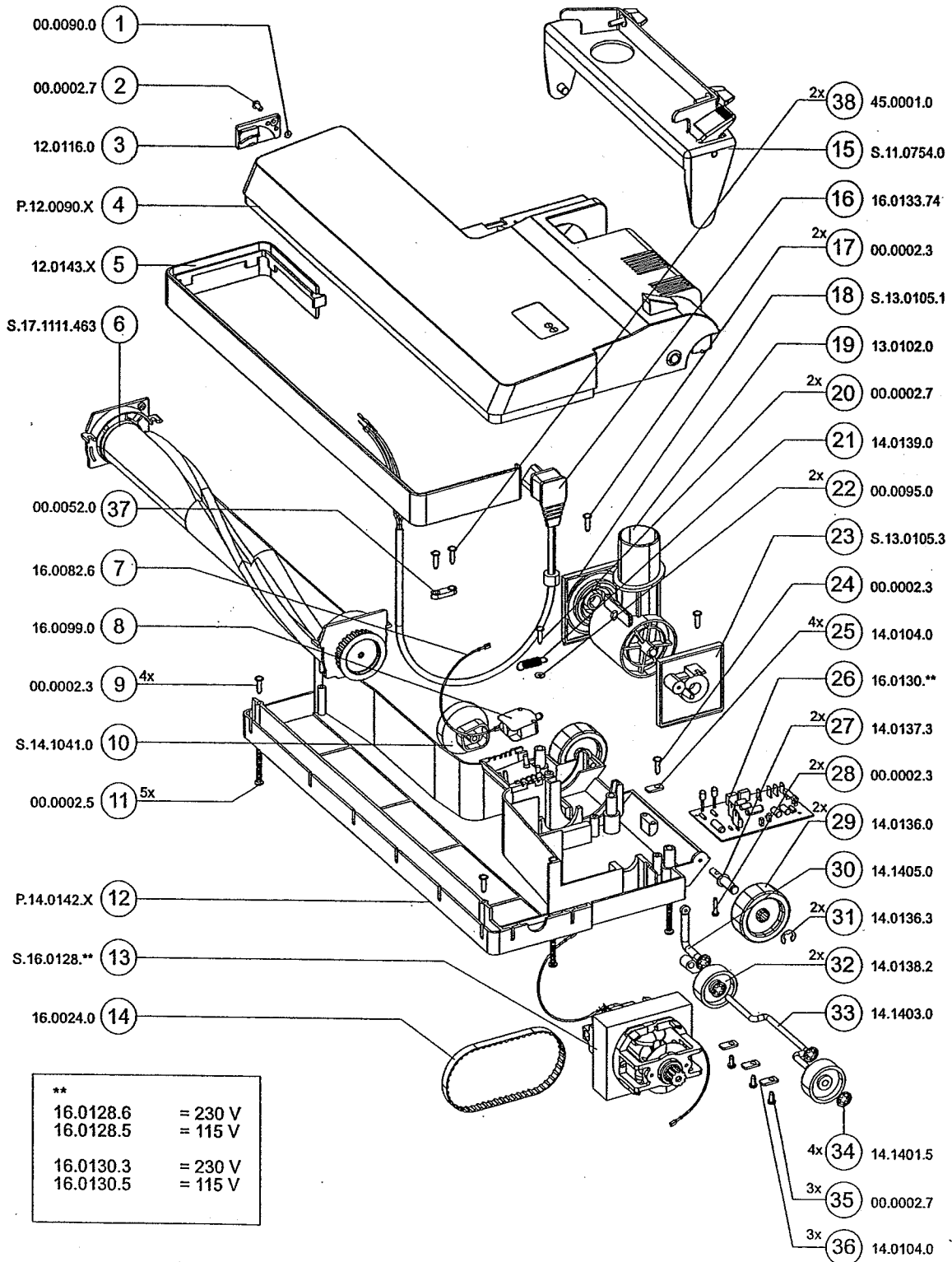


*Chemicals*  
*Equipment*  
*Programs*  
*Process*

**BETCO**<sup>®</sup>

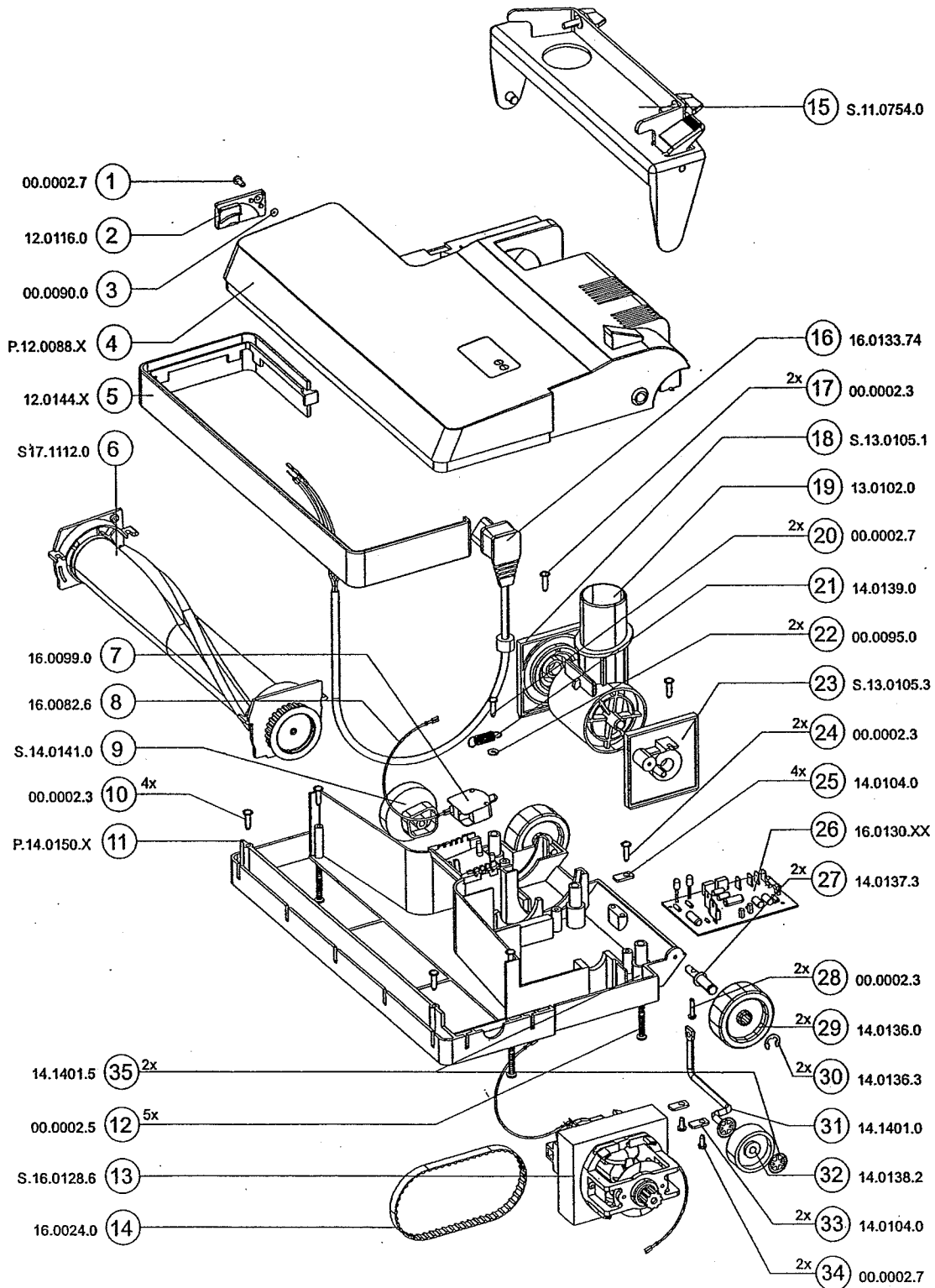
# BETCO Drawing Reference A

## Sub-assembly bottom compartment E85807-00



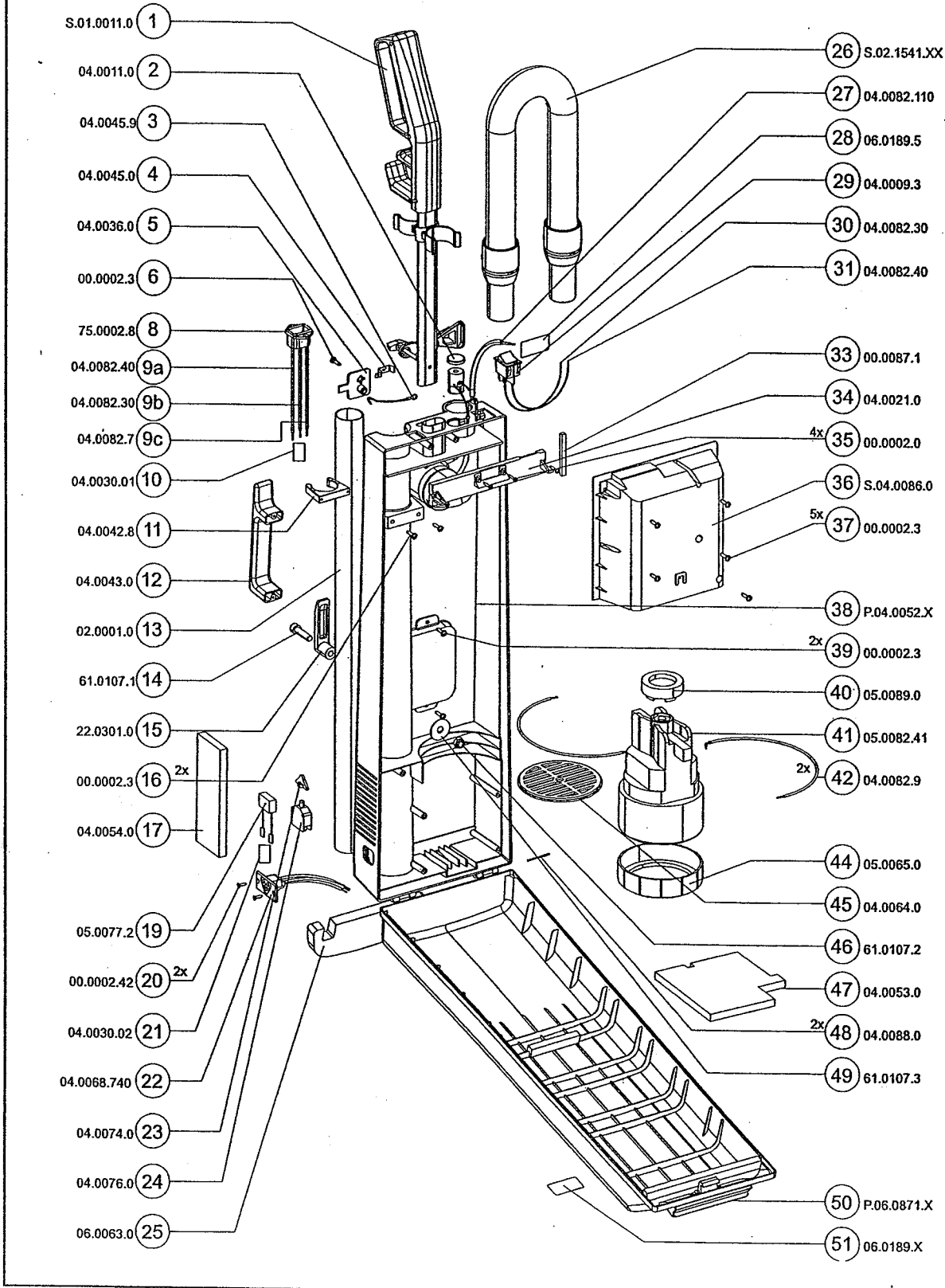
**	
16.0128.6	= 230 V
16.0128.5	= 115 V
16.0130.3	= 230 V
16.0130.5	= 115 V

BETCO Drawing Reference B  
 Sub-assembly bottom compartment E85806-00

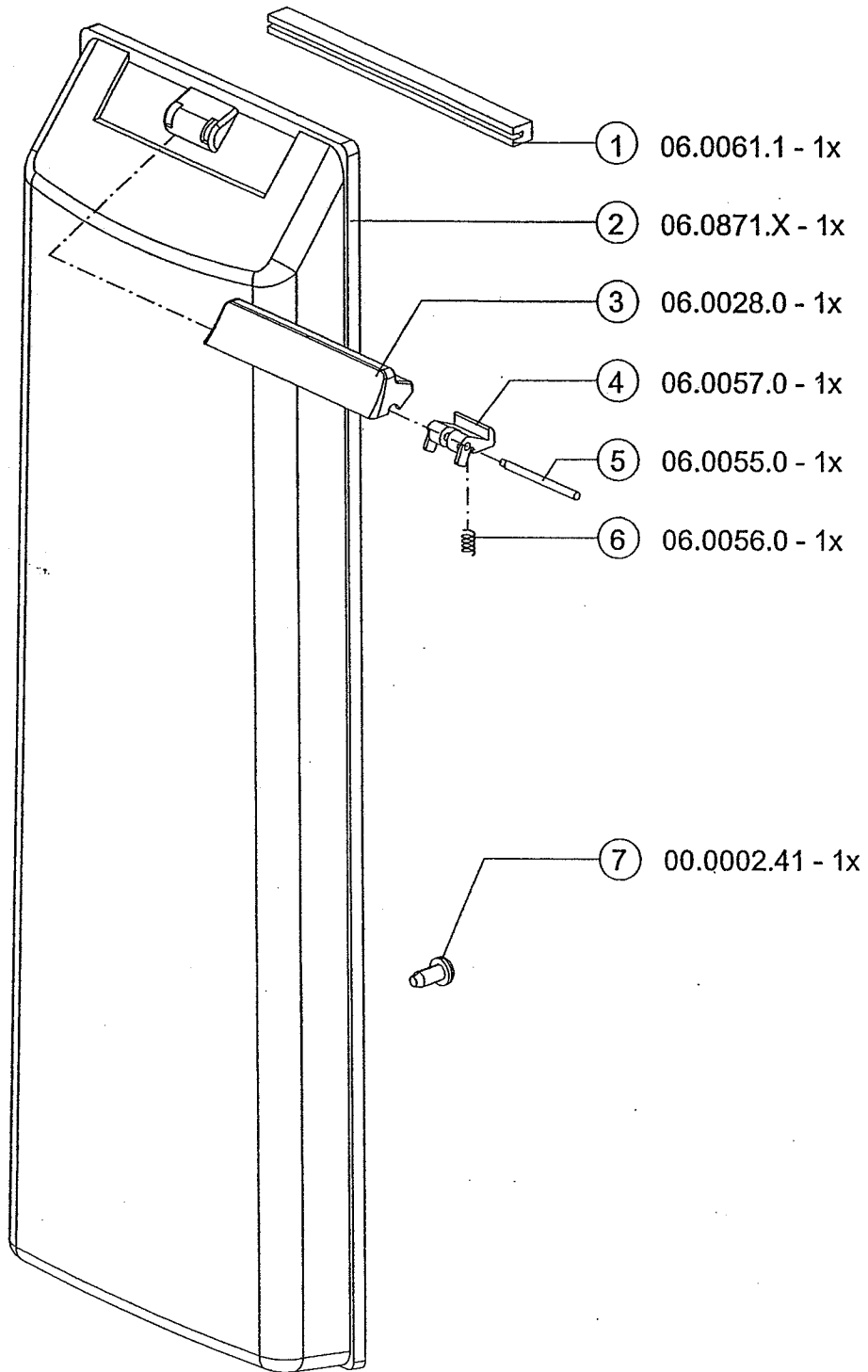


BETCO Drawing Reference C115  
 Sub-assembly top  
 compartment E85807&E85806

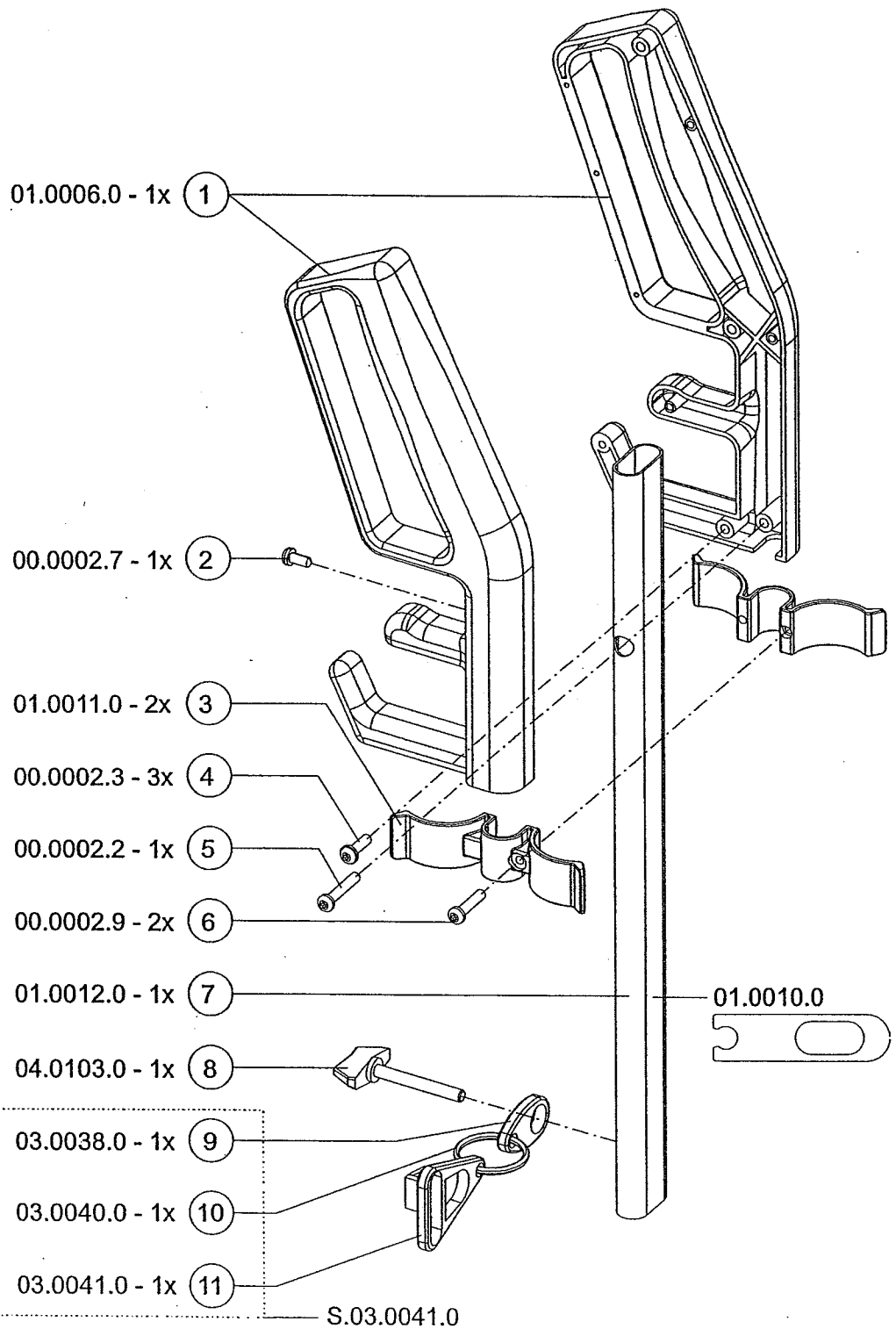
# 115Volt



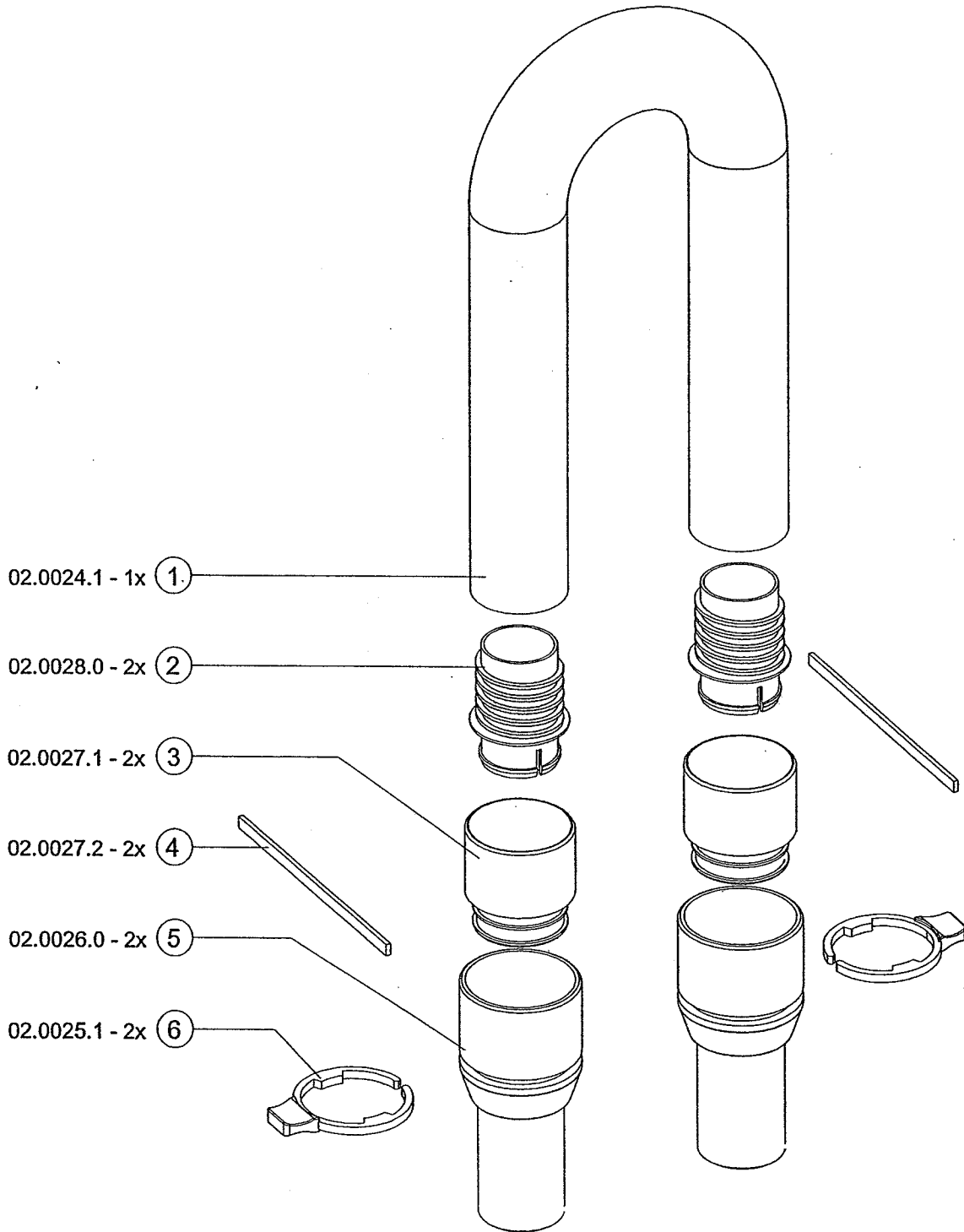
BETCO Drawing Reference E  
P.06.0871.X  
Front door assembly E85807&E85806



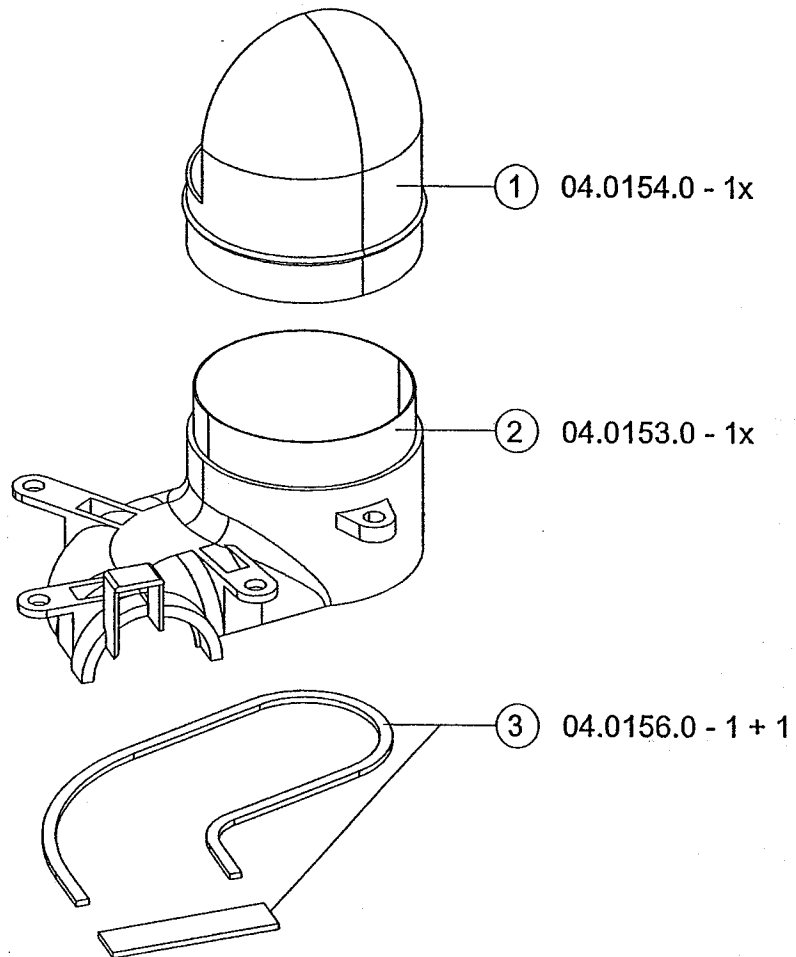
BETCO Drawing Reference F  
 S.01.0011.0  
 Handle assembly E85807&E85806



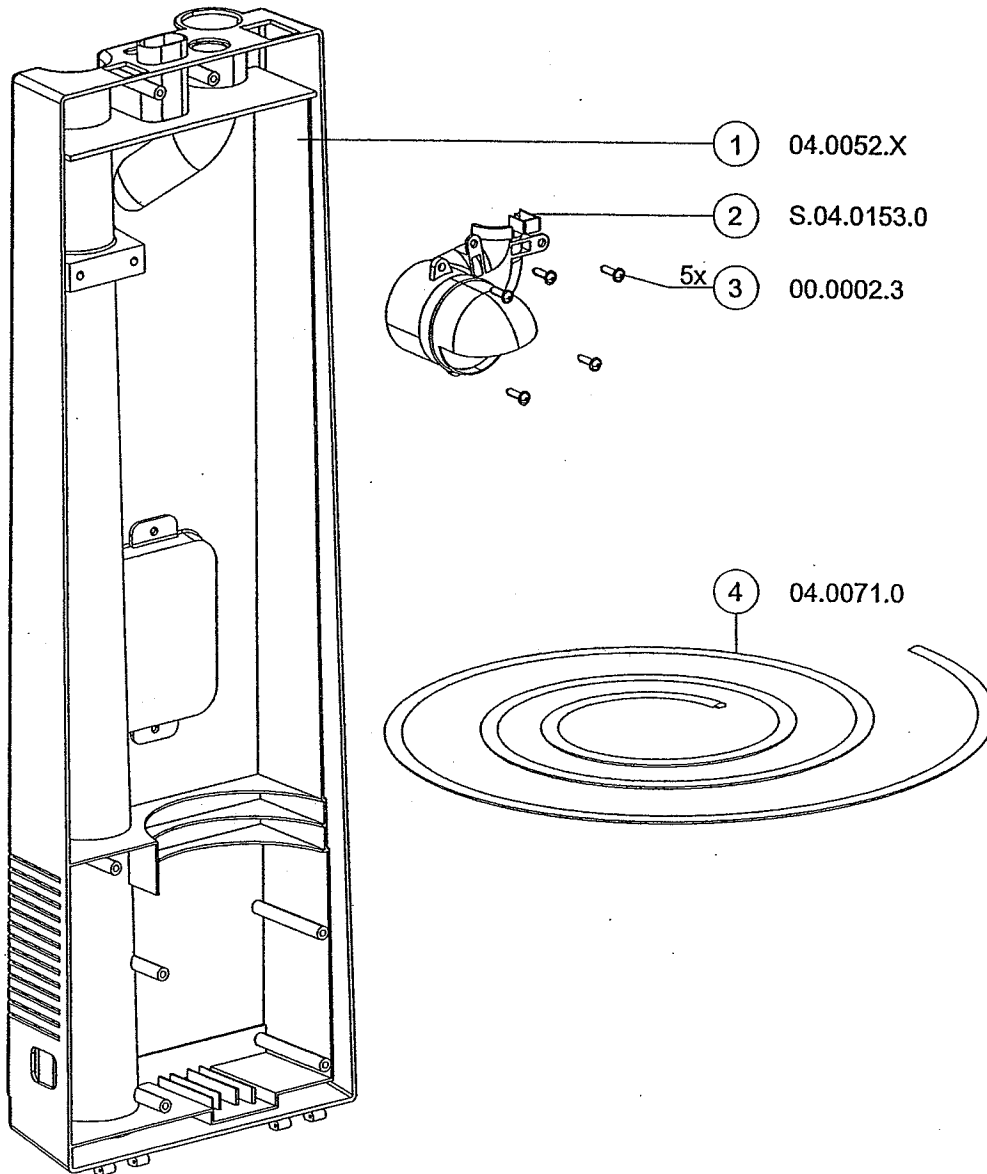
Drawing Reference G  
S.02.1541.1  
Hose assembly with cuffs - 50 cm - UP 350/460



BETCO Drawing Reference I  
S.04.0153.0  
Paper bag mount assembly E85807&E85806

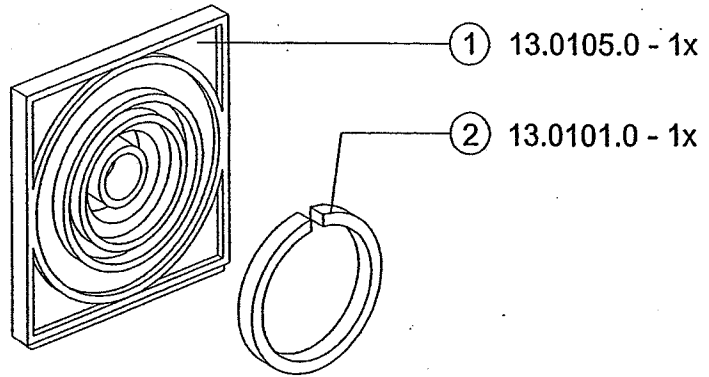


Drawing Reference J  
P.04.0052.X



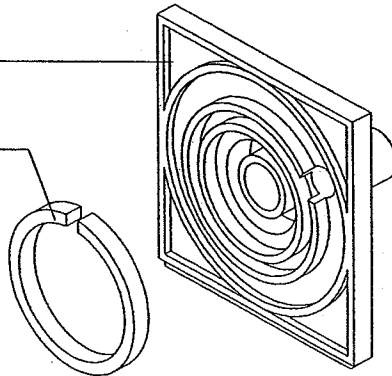
Drawing Reference L - 32 mm  
FAST Specification

S.13.0105.1  
Swivel guiding plate with felt UP 350/460

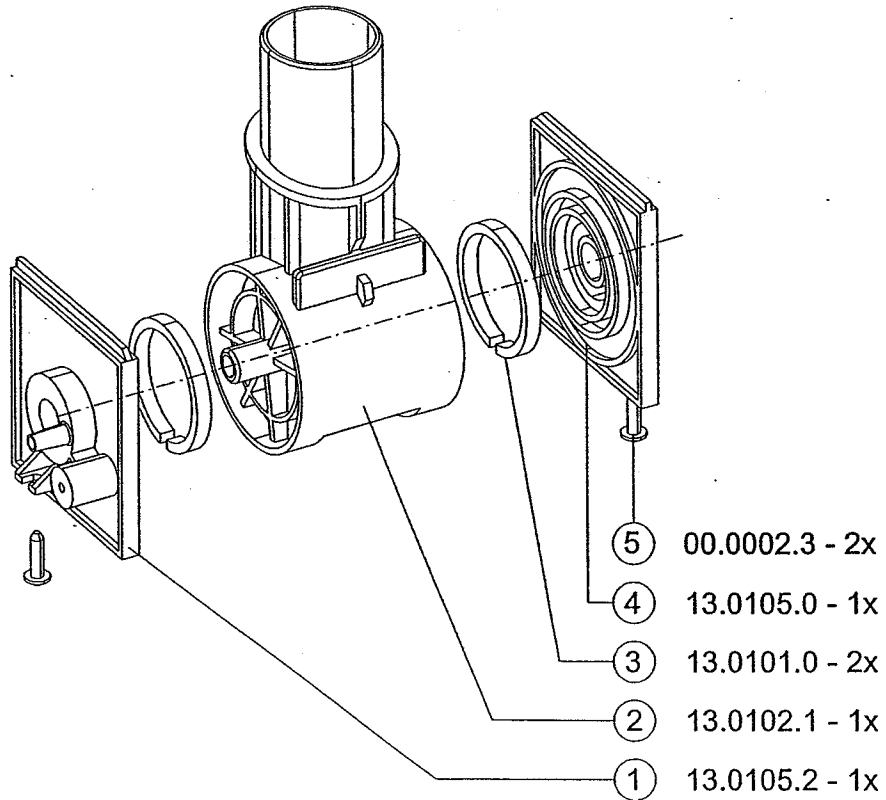


13.0105.2 - 1x ①

13.0101.0 - 1x ②



S.13.0105.3  
Swivel guiding plate with felt new UP 350/460



⑤ 00.0002.3 - 2x

④ 13.0105.0 - 1x

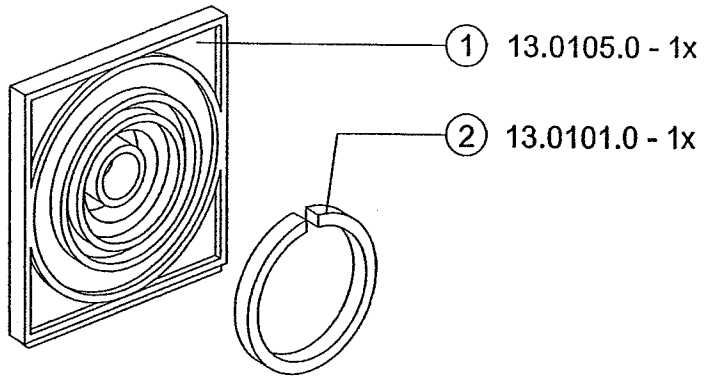
③ 13.0101.0 - 2x

② 13.0102.1 - 1x

① 13.0105.2 - 1x

Drawing Reference L - 35 mm

**S.13.0105.1**  
Swivel guiding plate with felt UP 350/460

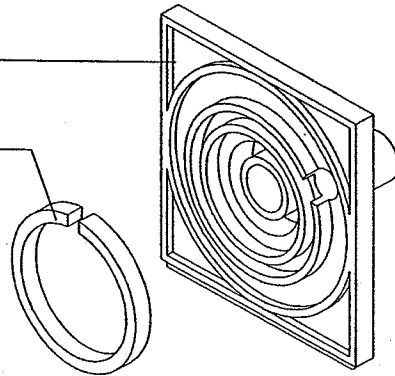


13.0105.2 - 1x

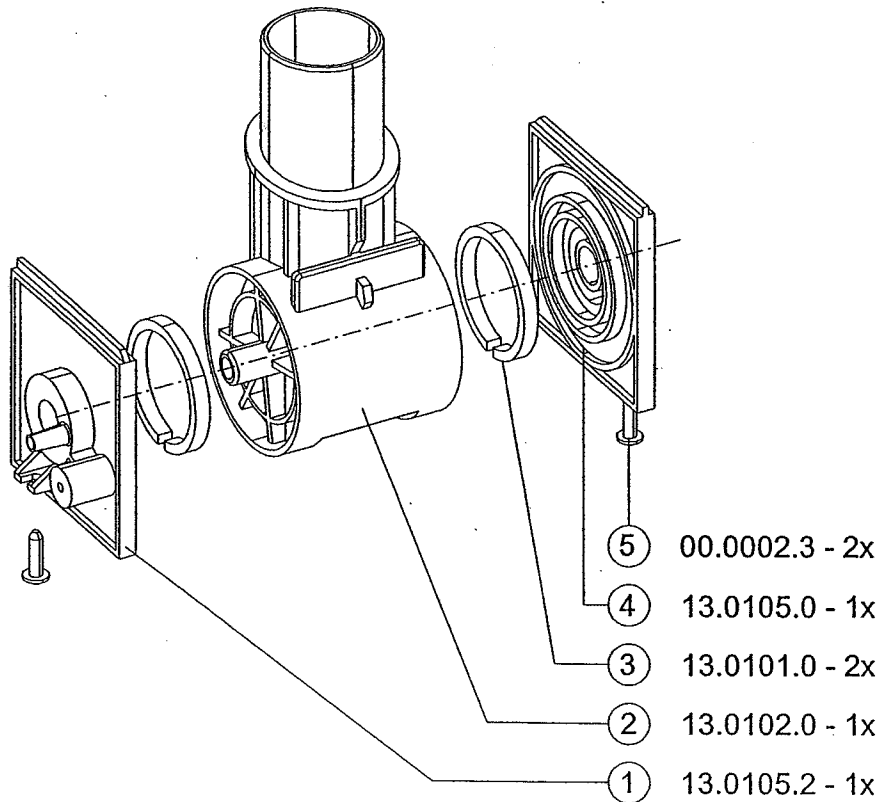
①

13.0101.0 - 1x

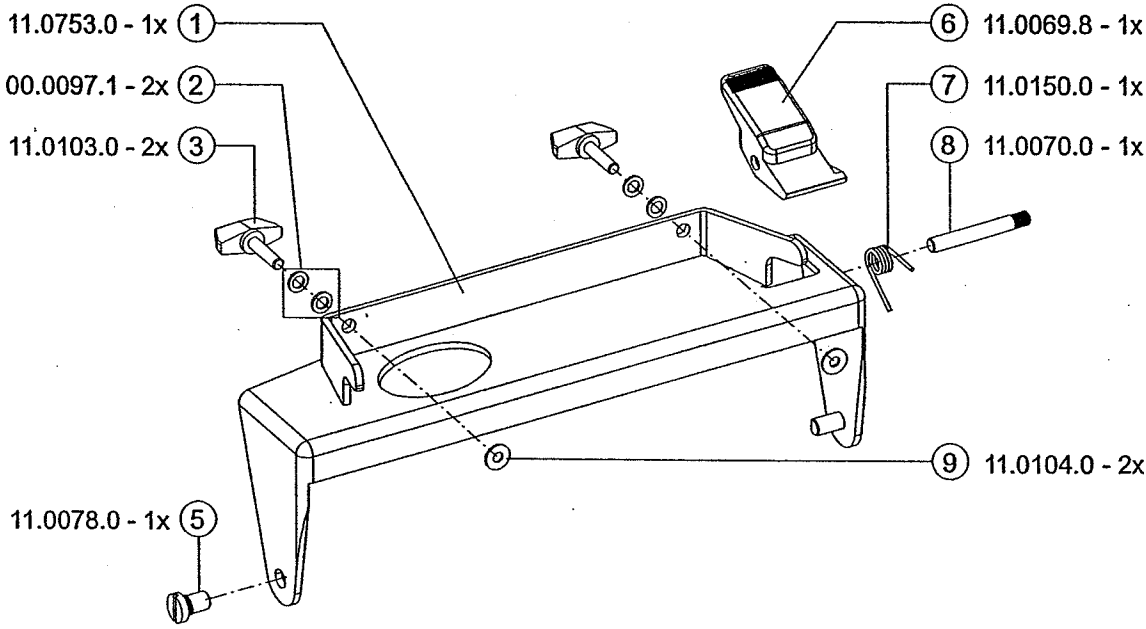
②



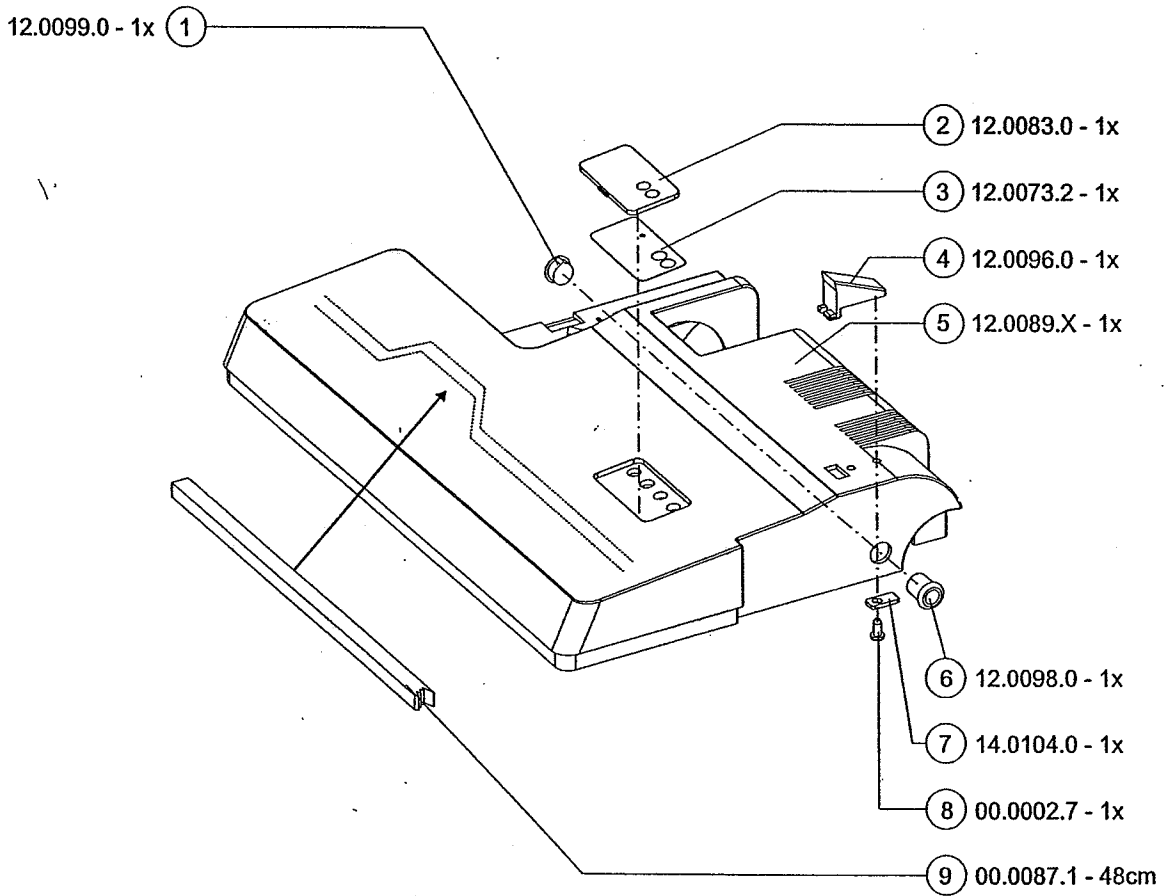
**S.13.0105.3**  
Swivel guiding plate with felt new UP 350/460



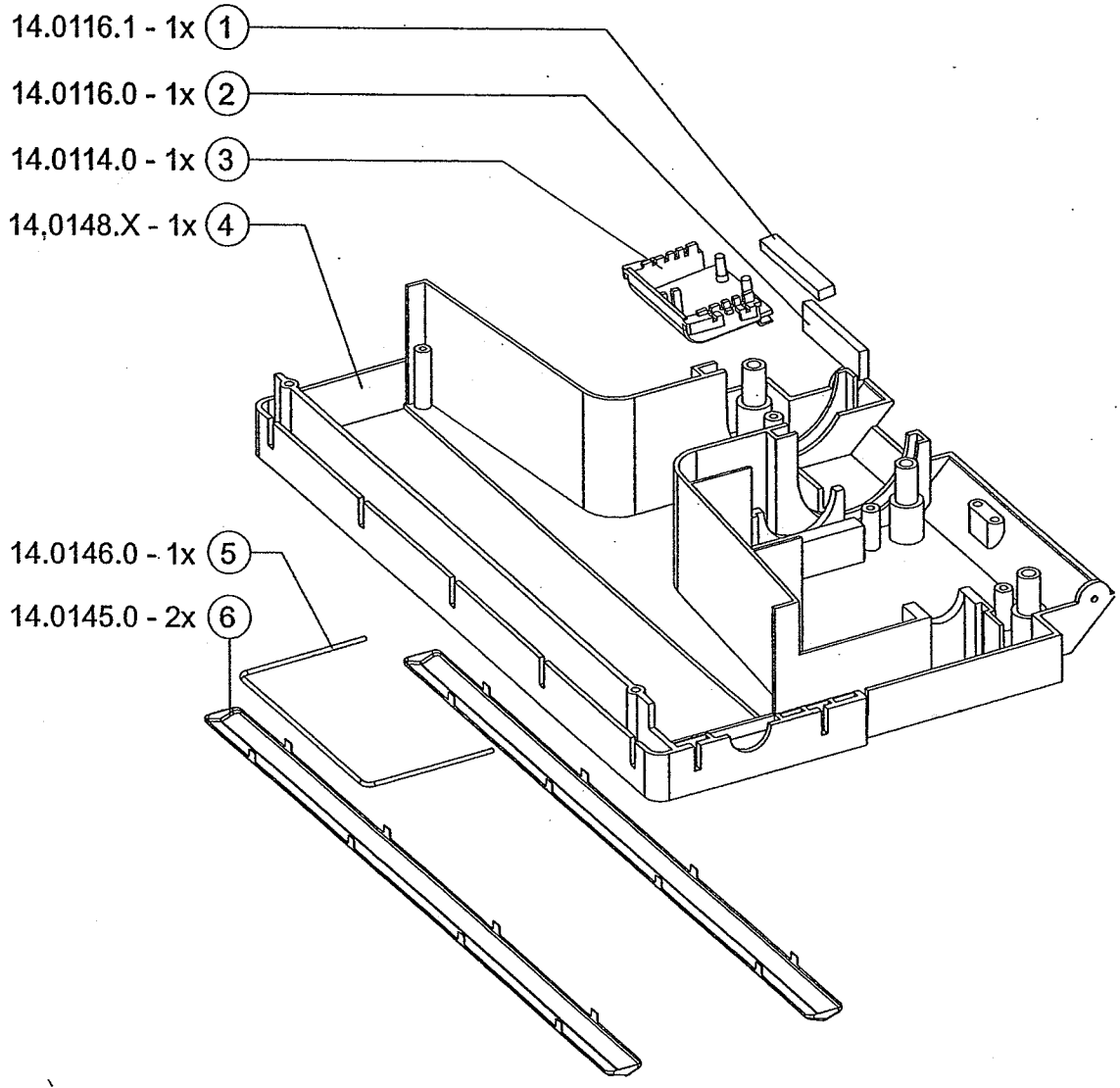
Drawing Reference M  
S.11.0754.0  
Bracket assembly



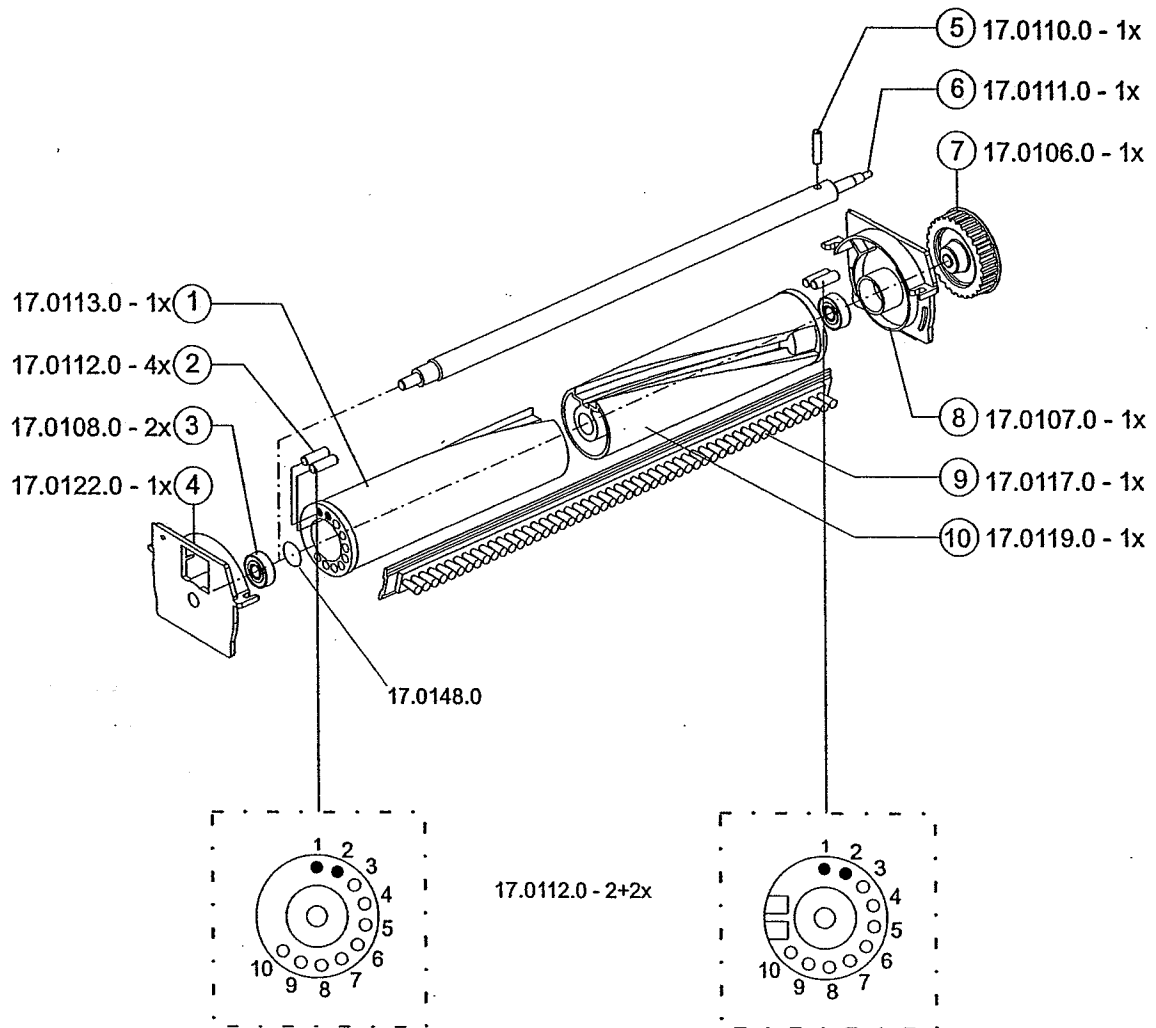
Drawing Reference N  
P.12.0088.X  
Brush cover assembly E85806  
Ref 4 on drawing B



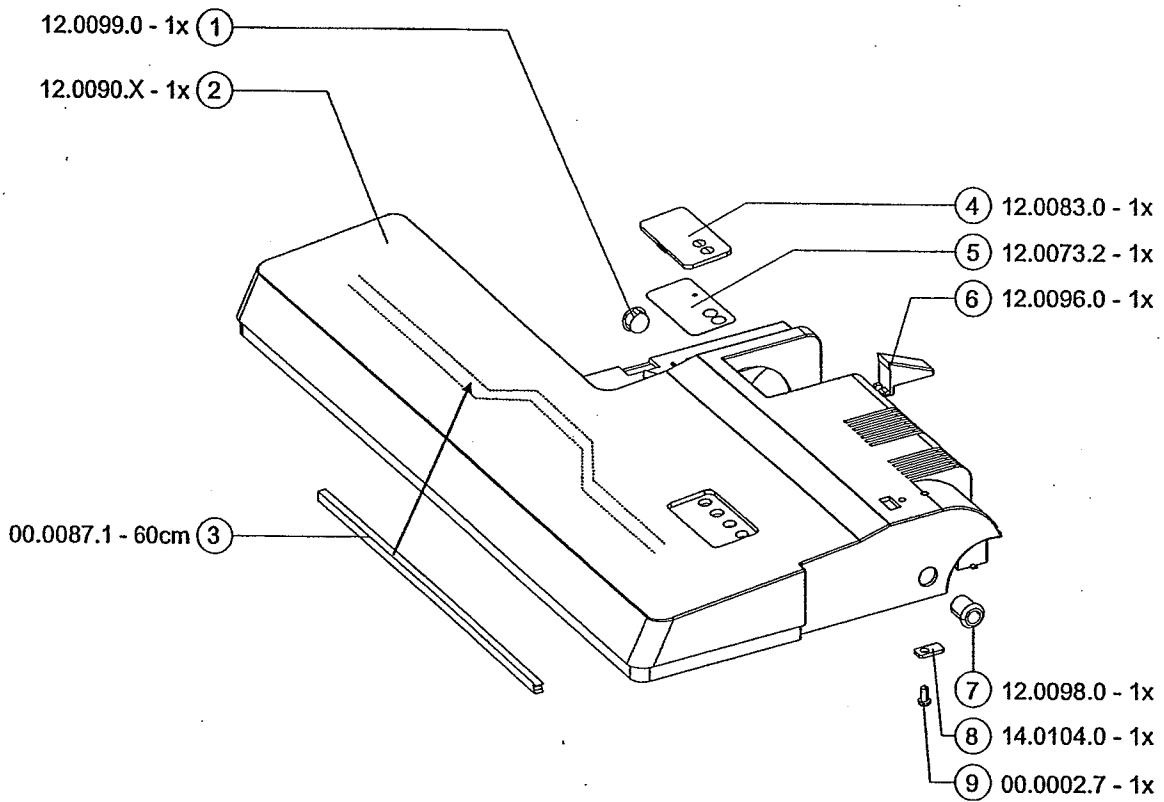
Drawing Reference O  
P.14.0150.X  
Brush housing assembly E86806



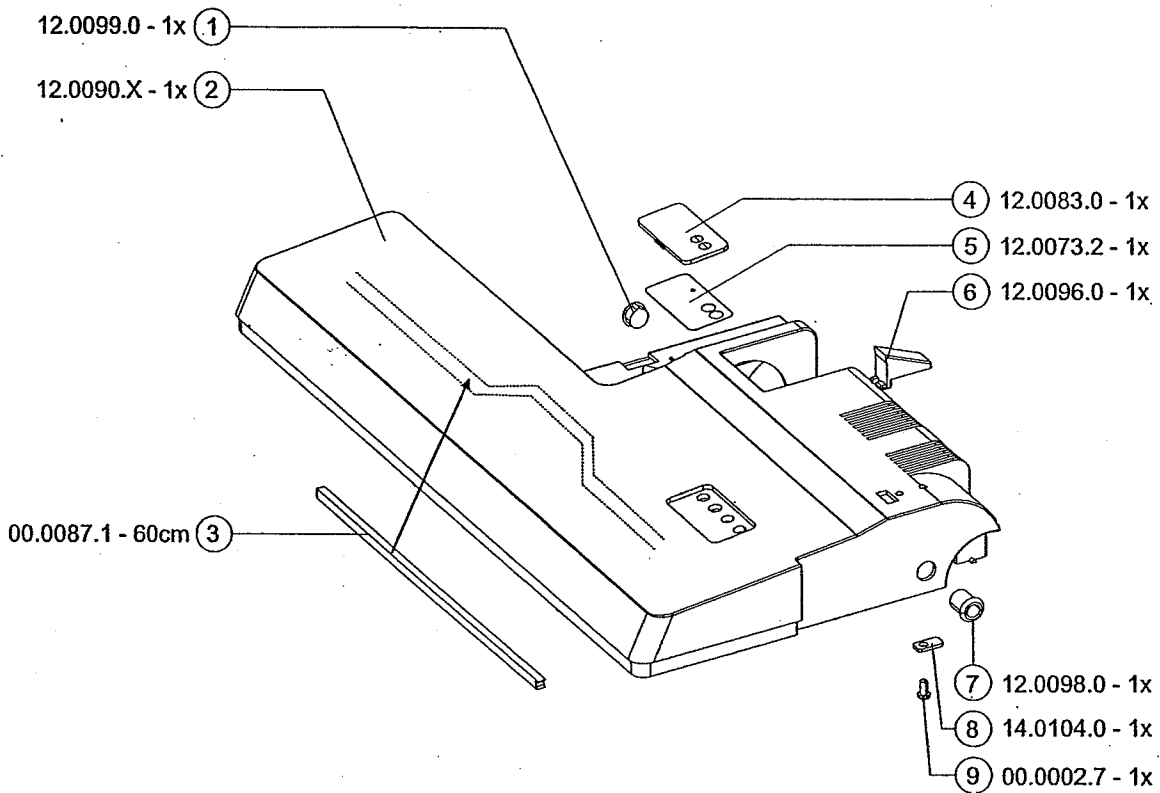
Drawing Reference P  
 S17.1112.0  
 Roller assembly with strip E85806  
 Ref 6 on drawing ref 6



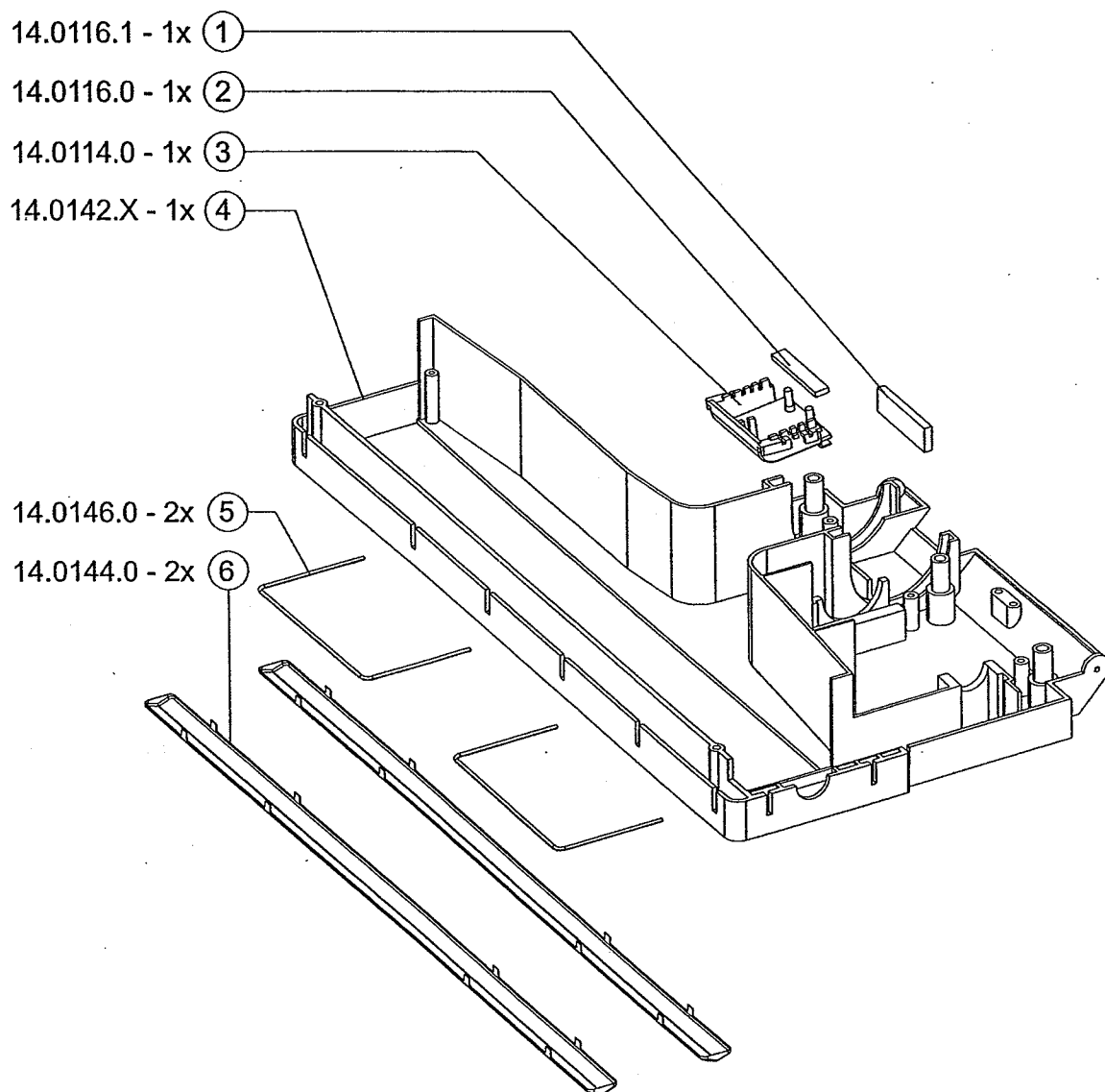
Drawing Reference Q  
P.12.0090.X  
Brush cover assembly E85807



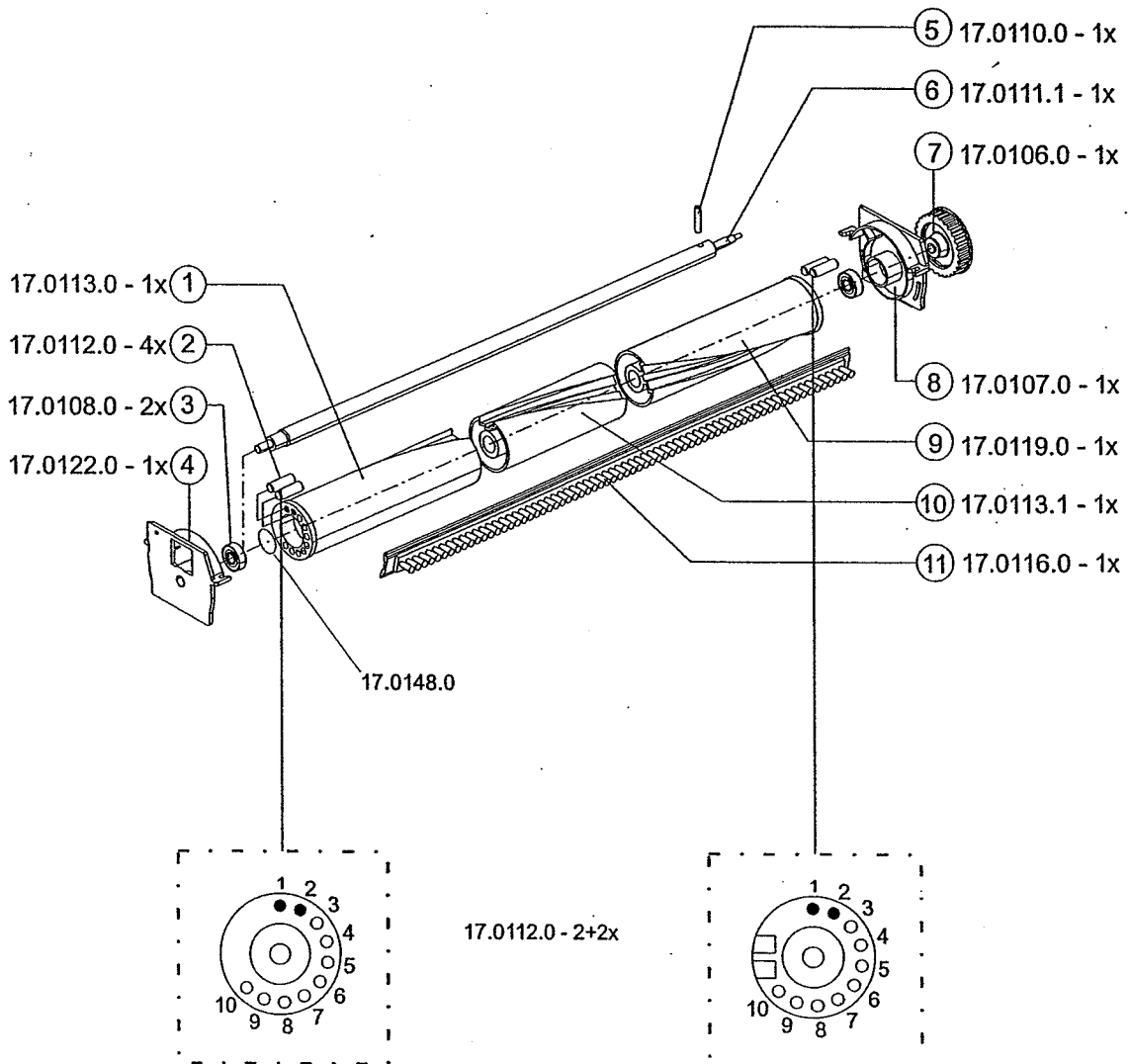
Drawing Reference Q  
P.12.0090.X  
Brush cover assembly E85807



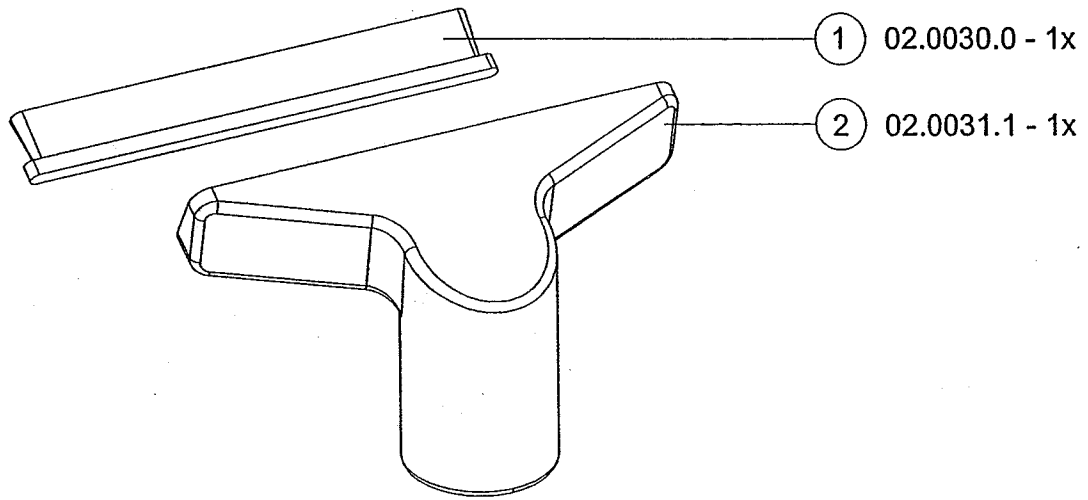
Drawing Reference R  
P.14.0142.X  
Brush housing assembly E85807



Drawing Reference S  
 S17.1111.463  
 Roller assembly with strip E85807

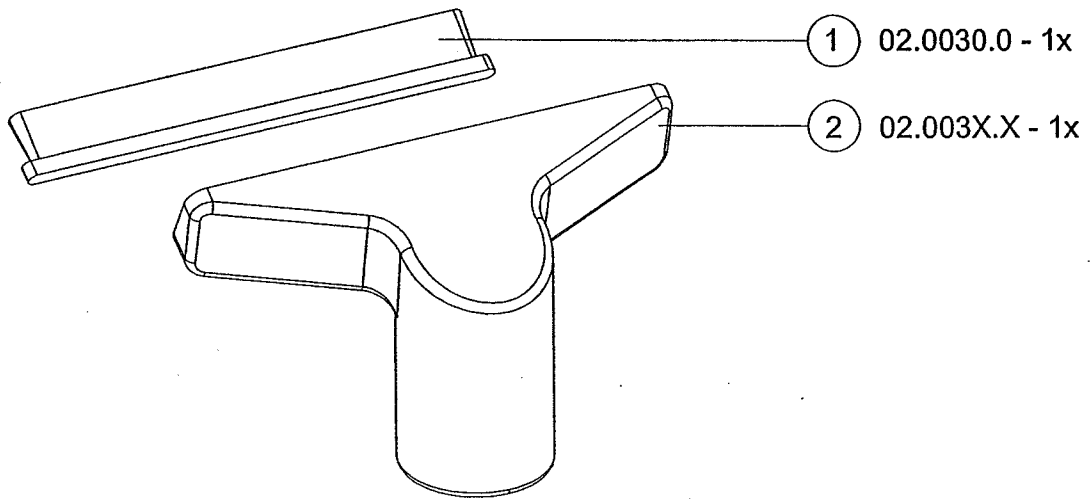


S.02.0031.0  
Upholstry tool with bristle 35 mm

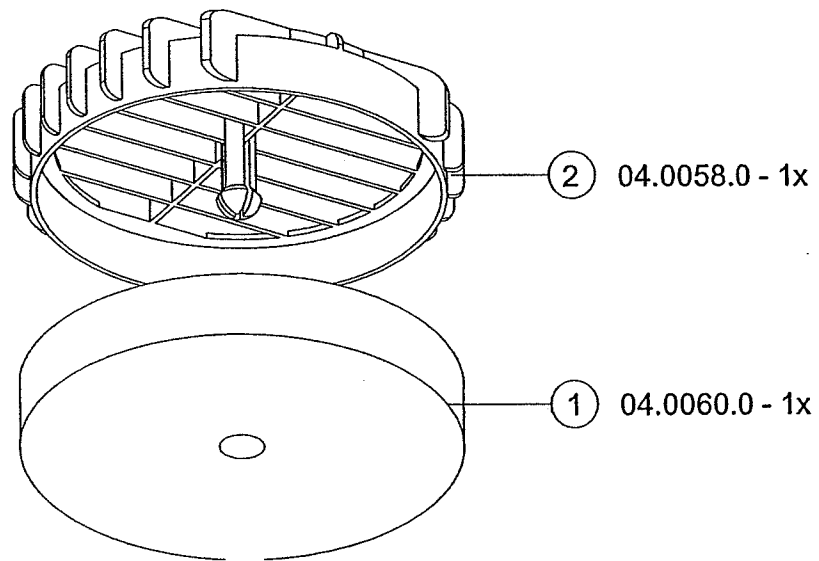


S.02.0031.5  
Upholstry tool with bristle 32 mm

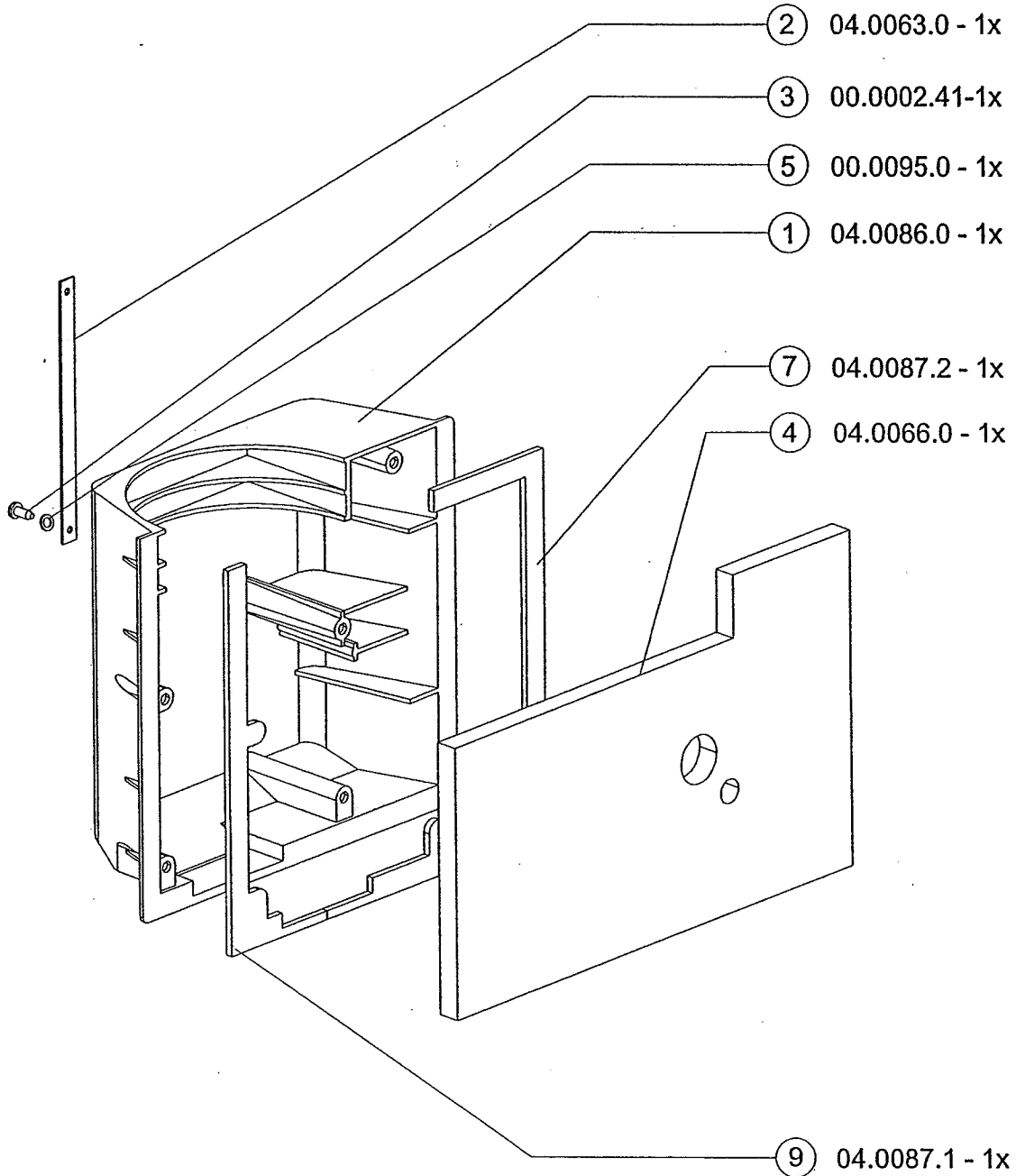
No tools for this at the moment.  
Purchase article 02.0031.5



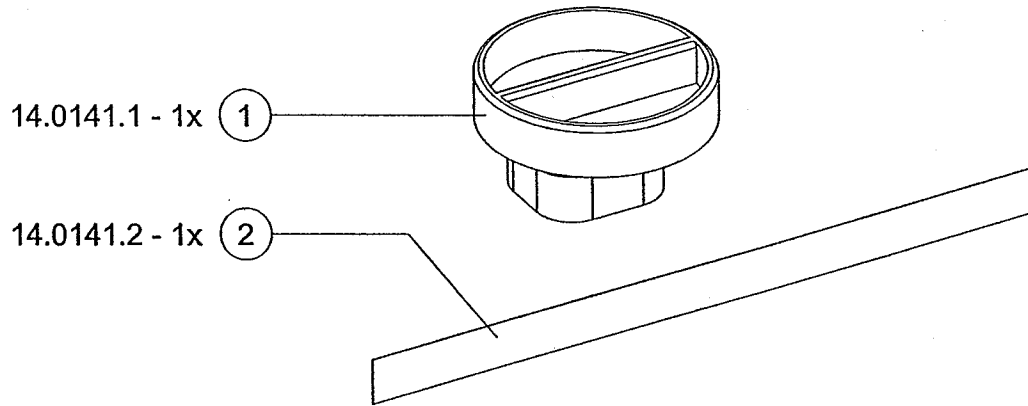
S.04.0058.0  
Dust filter holder assembly



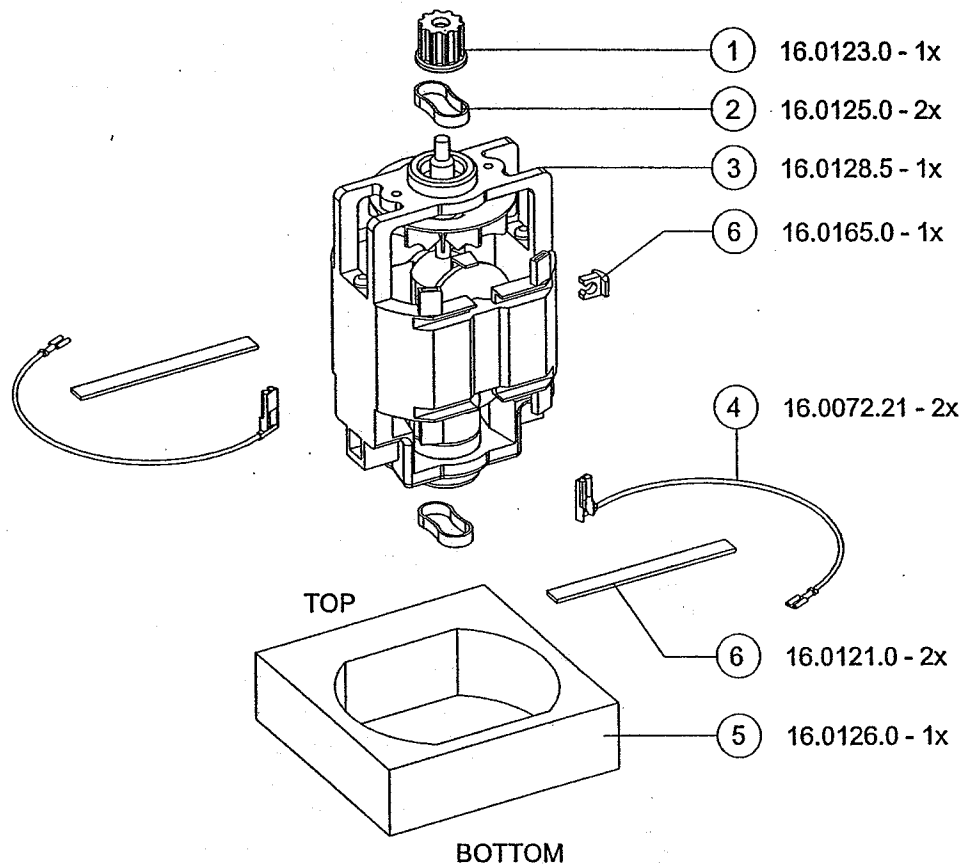
S.04.0086.0  
Motor housing assembly



S.14.0141.0  
Front castor adj. Button with print



Drawing Reference D  
S.16.0128.5  
Brush motor assembly UP 115 V  
UP350/460



DM1400/1800			
	ref #	item #	description
82093		0000020	Screw 3, 5x16
82094		0000023	Screw 4x16 flat head
82095		0000025	Screw 5x40
82096		0000027	Screw 4x10
82097		00000241	Screw 3x8
82098		00000242	Screw 3, 5x13
82099		0000520	Cable restrain internal
82100		0000871	Gasket 6x5mm neapreem sealed ZK
82101		0000900	Washer fiber 6, 5x2x0.5
82102		0000950	Washer plain M4 steel
82103		0000960	Spring washer M4
82104		0001801	Glue pen PX-10 10 gram
82105		0001851	MEK Produced special ABS glue
82106		0200018	Wand 32mm aluminum telescopic
82107		0200325	Crevice tool 32mm
82108		0201500	Paper Bag
82109		0400070	tube Vacuum indicator
82110		0400093	Switch 4P with green light
82111		0400110	Top indicator paper bag full
82112		0400210	Electric Cover
82113		0400360	Antistatic cover
82114		0400428	Wand locker, yellow
82115		0400430	Rear body handle
82116		0400450	Antistatic discharge
82117		0400459	Antistatic wire 50mm R/VER CSA
82118		0400530	Foam motor vacuum
82119		0400540	Foam filter vent
82120		0400580	Dust filter holder
82121		0400600	Motor Filter round 107 x 5mm
82122		0400630	Door restrain
82123		0400640	Motor grill
82124		0400660	Foam motor
82125		0400700	Silicone kit fabory universal T
82126		0400748	Switch actuator yellow
82127		0400760	Switch normally open
82128		0400827	Wire GR/YEL 100mm F/F CSA
82129		0400828	Wire GR/YEL 200mm PL/PL CSA
82130		0400829	Wire BL 1mm2 200mm PL/PL CSA
82131		0400860	Motor Housing
82132		0400871	Gasket Motor housing 1
82133		0400872	Gasket Motor housing 2
82134		0400880	Door hinge shaft
82135		0401880	Extra warning sticker Fr. Eng.
82136		0500650	Top rubber motor
82137		0500772	Supr. FRI Hoov with term
82138		0500890	Mounting block motor
82139		0600630	Bumper cell rubber EPDM black ZK
82140		1201160	Brush strip access
82141		1201430	Brush bumper black, 18"
82142		1201440	Brush bumper black, 14"
82143		1301021	Swivel neck 32mm
82144		1401040	Front castor shaft fixing plat

82145		1401360	Rear caster	
82146		1401363	Circlip 7mm, rear caster shaft	
82147		1401372	Rear caster shaft tera	
82148		1401382	Front castor (RTP) version 2	
82149		1401390	Spring T21 x 76	
82150		1401850	Molykote 44m (100 gram)	
82151		1414010	Front castor shaft	
82152		1414015	Starlock 6mm	
82153		1414030	Front castor shaft 460, 18"	
82154		1600826	Wire BL 1mm2 150mm F/F CSA	
82155		1600990	Switch normally closed	
82156		1601240	Tooth belt 130 XL 031	
82157		1601305	Electron Board CSA 120 v. 3.0A	
82158		1800020	Cardboard box 14"- 930x370x170mm	
82159		1800110	Cardboard UP 687x370, handle	
82160		1800120	Cardboard UP 653x460, hose	
82161		1800130	Cardboard UP 445x660, brush head	
82162		1800160	Pilloflex Vel AFM 600x250mm	
82163		1800510	Tape Transparant PP 50mm	
82164		1800710	Pallet 100 120cm WEGWERP	
82165		1800820	Cardboard box 18" -930x480x170mm	
82166		1800830	Cardboard UP460 18" - 687x480	
82167		2203010	Cable hook external black NE	
82168		04003001	Connection Bracket 1P	
82169		04003003	connection Bracket 3P	
82170		04008230	Wire black 1mm 2 220mm F/F CSA	
82171		04008240	Wire white 1mm 2 220mm F/F CSA	
82172		04008250	Wire GR/GL 1mm2 190mm F/VER	
82173		4500010	Screw 4.2 x 13 PA	
82174		6101071	Screw Hexagon M8x30	
82175		6101072	Nut nylon M8	
82176		6101073	Washer plan M8x30	
82177		7500028	Inlet 3 Pole click C6/C9	
82178		16013374	3 pole new mod CSA with term	
82179		030026100	Cable 3P-A 18, 50FT, yellow	
82180		040068740	3 Pole model CSA PL/PL/PL	
82181		040082110	Main wire 120/230 volt CSA	
82182		140115755	Serial number UP350 CPI, 14"	
82183		140115756	Serial number UP460 CPI, 18"	
82184		180005755	Sticker cardboard box, 14" CPI	
82185		180005756	Sticket cardboard box, 18" CPI	
82186		180005920	Sticker 'this side up' cardboard box	
82187		180041755	Manual 14" CPI	
82188		P0400523	Rear body assembly, gray	
82189		P0608713	Front door assembly, gray	
82190		P1200883	Brush cover 14", gray	
82191		P1200903	Brush cover 18", gray	
82192		P1401423	Brush housing bottom 18", gray	
82193		P1401503	Brush housing bottom 14", gray	
82194		S0100110	Handle assembly complete, aluminum	
82195		S02003150	Upholstery tool 32mm	
82196		S0215412	Hose complete 32mm, black 0.5m	
82197		S05008241	Motor vacuum 115v	
82198		S1107540	Bracket, black metal	

82199		S1301051	Swivel guiding plate with felt
82200		S1301053	Swivel guiding plate with felt NW
82201		S1401410	Front castor adjustment knob w/ print
82202		S1601285	Brush motor 115v
82203		S1711120	Roller 14" w/ strip
82204		S17111463	Roller 18" w/ strip
<b>S1711120 - Roller Brush complete - 14"</b>			
82205		0001810	Power glue S13-100/Flacon 50g
82206		0001870	Loctite nutlock 50ml
82207		1701060	Brush driver
82208		1701070	Roller support left 'closed'
82209		1701080	Ball bearing 626ZZ
82210		1701100	Shaft for steel roller
82211		1701110	Brush shaft 350, 14"
82212		1701120	Balance weights short
82213		1701130	Roller brush right (open)
82214		1701170	Brush strip 14" black nylon
82215		1701190	Roller brush left (closed)
82216		1701220	Roller support right (open)
82217		1701480	Starlock 10mm
<b>S17111463 - Roller Brush complete - 18"</b>			
82218		0001870	Loctite nutlock 50ml
82219		1701060	Brush driver
82220		1701070	Roller support left 'closed'
82221		1701080	Ball bearing 626ZZ
82222		1701100	Shaft for steel roller
82223		1701111	Brush shaft 460, 18"
82224		1701120	Balance weights short
82225		1701130	Roller brush right (open)
82226		1701460	Brush strip 18" black nylon
82227		1701190	Roller brush left (closed)
82228		1701220	Roller support right (open)
82229		1701480	Starlock 10mm
<b>S1107540 - Bracket</b>			
82230		0000971	Nord lock lock washers M5 DOU
82231		0001870	Loctite nutlock 50ml
82232		1100698	Locking pedal, yellow
82233		1100700	Shaft pedal
82234		1100780	Screw short left side
82235		1101030	Thumb screw 5x20 black
82236		1101040	Fiber ring 11x4.5x1
82237		1101500	Spring E17 x 123
82238		1107530	Bracket, black metal
<b>S0215412 - Hose Complete</b>			
82239		0200241	Hose stretch 50mm 32mm, black
82240		0200251	Hose clip with lip, black
82241		02002632	Hose cuff 32mm, black
82242		0200271	Hose coupling w/o seal, black
82243		0200272	Seal hose coupling 115x5x2
82244		0200280	Hose end
<b>S0100110 - Handle Complete</b>			
82245		0000022	Screw 3.5 x 25
82246		0000023	Screw 4x16 flat head

82247		000027	Screw 4x10	
82248		000029	Screw 4x20	
82249		0001851	MEK Produced special ABS glue	
82250		0100060	Handle left and right	
82251		0100100	Holder cable	
82252		0100110	Holder tool	
82253		0100120	Tube oval aluminum	
82254		0300380	Cable restrain 1/2 part CAN SI	
82255		0300400	Metal ring diam. 30mm 1/2 part	
82256		0300410	Cable restrain 1/2 part cable	
82257		0401030	Thumb screw 5 x 40, handle.	
<b>P1401503 - Brush Housing lower, 14"</b>				
82258		0001830	Hard plastic glue tube 25ml	
82259		1401140	Switch housing w/o felt	
82260		1401160	Felt for brush housing 49x14x4	
82261		1401161	Felt for switch housing 50x8x4	
82262		1401450	Brush protector 350, 14"	
82263		1401460	Brush protector wire	
82264		1401483	Brush housing side cable gray, 14"	
<b>P1401423 - Brush Housing lower, 18"</b>				
82265		0001830	Hard plastic glue tube 25ml	
82266		1401140	Switch housing w/o felt	
82267		1401160	Felt for brush housing 49x14x4	
82268		1401161	Felt for switch housing 50x8x4	
82269		1401450	Brush housing lower 460 gray, 18"	
82270		1401460	Brush protector 460, 18"	
82271		1401483	Brush protector wire	
<b>P1200903 - Brush Housing upper, 18"</b>				
82272		000027	Screw 4x10	
82273		0000871	Gasket 6x5mm neapreem sealed ZK	
82274		0001810	Power glue S13-100/Flacon 50g	
82275		1200732	Decal LED standard	
82276		1200830	LED cover, clear plastic	
82277		1200903	Brush cover 460, gray, 18"	
82278		1200960	Latch break	
82279		1200980	Bearing bushing long	
82280		1200990	Bearing bushing short	
82281		1401040	Front castor shaft fixing plat	
<b>P1200883 - Brush Housing upper, 14"</b>				
82282		000027	Screw 4x10	
82283		0000871	Gasket 6x5mm neapreem sealed ZK	
82284		0001810	Power glue S13-100/Flacon 50g	
82285		1200732	Decal LED standard	
82286		1200830	LED cover, clear plastic	
82287		1200893	Brush cover 350, gray, 14"	
82288		1200960	Latch break	
82289		1200980	Bearing bushing long	
82290		1200990	Bearing bushing short	
82291		1401040	Front castor shaft fixing plat	
<b>P0400523 - Rear Body Assembly, gray</b>				
82292		000023	Screw 4x16 flat head	
82293		0400523	Rear body vac for ext cord, gray	
82294		0400710	Seal front door	

82295		S0401530	Paper bag mount	
-------	--	----------	-----------------	--