



## Electronic Service Manuals

This electronic document is provided as a service to our customers. We do not create the contents of the information contained in this document. Should you have detailed questions pertaining to the information contained in this document, you may contact Michco, or the manufacturer which provided the original information in this electronic deliverable. Michco's only part in this electronic deliverable was the electronic assembly process. By providing this manual on line we are not guaranteeing parts availability.

You may contact Michco through the following methods:

Phone (517) 484-9312 or (800) 331-3339

2011 N. High St. -- Lansing, Michigan -- 48906

Fax: (517) 484-9836

Email: [CustServe@Michco.com](mailto:CustServe@Michco.com)

Web site: [www.Michco.Com](http://www.Michco.Com)

Parts Web site: [www.FloorMachineParts.Com](http://www.FloorMachineParts.Com)

Order Parts on Line at:

**[www.FloorMachineParts.Com](http://www.FloorMachineParts.Com)**

Directly to Parts & Service:

By Email: **[Shop@Michco.com](mailto:Shop@Michco.com)**

By Fax: (517) 702-2041

By Voice: Use numbers above.

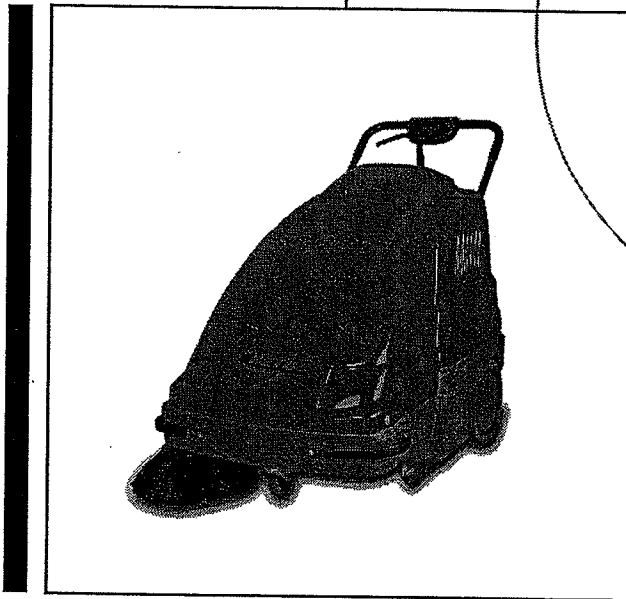
**Serving the Cleaning Industry Since 1922**

Notice: All copyrighted material remains property of original owners, all trademarks are property of respective owners. Manuals are subject to Manufacturer's reproduction limitations. Originals or reproductions were provided by manufacturers through a request. We make no warranty as to the correctness of information provided in this document and you assume all risk. By placing these manuals on line we are not declaring our corporation to be an manufacturer authorized dealer or provider, please check our web site for authorized manufacturers we represent.

# BPS28 28" Battery Powered Sweeper

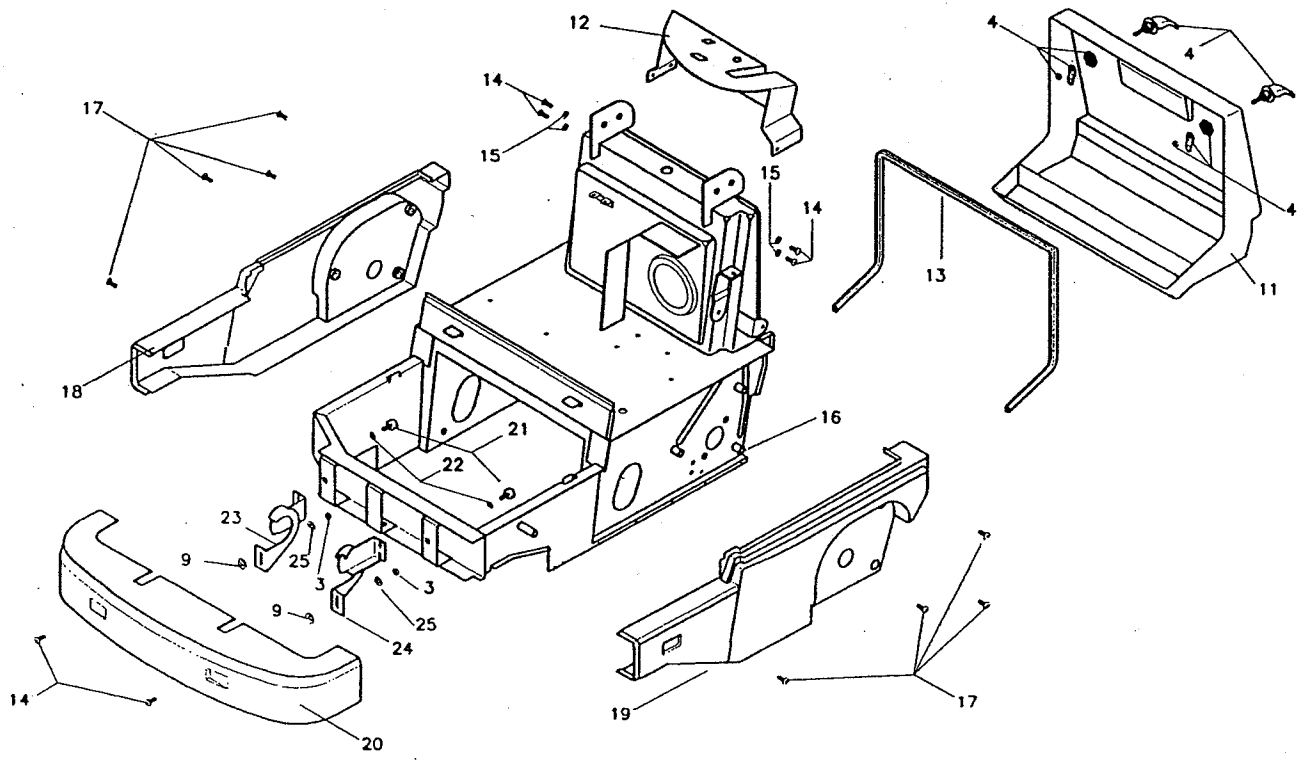
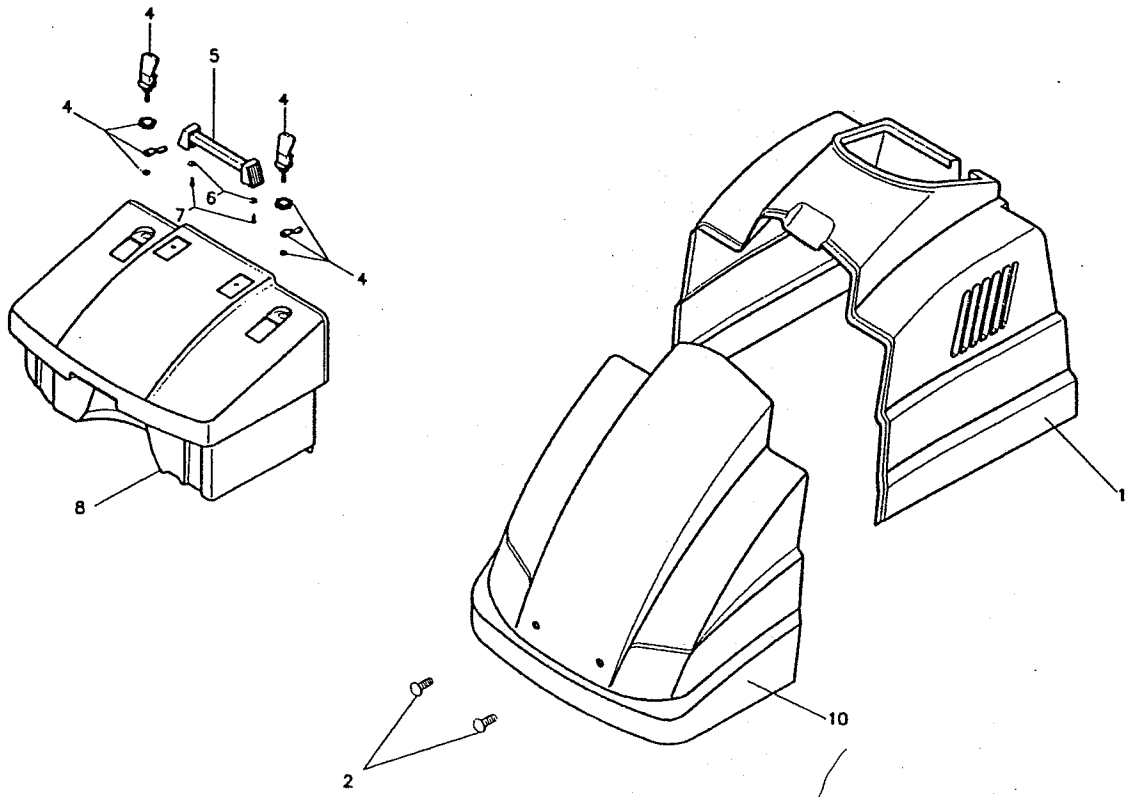
## Parts Schematic

Item #89001

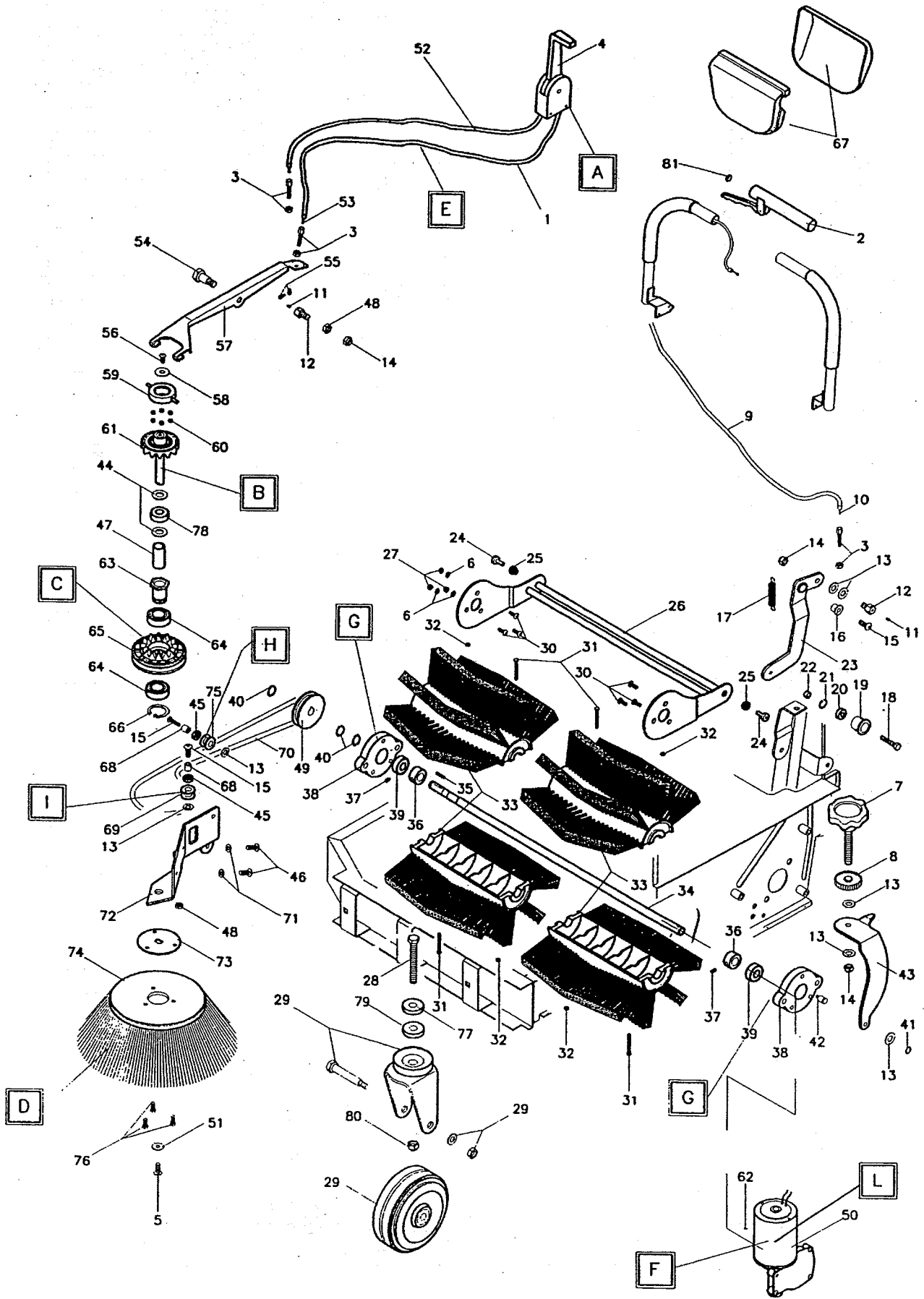


*Better Resources. Better Results.*  
**BETCO**®





<b>Ref.</b>	<b>Part No.</b>	<b>Description</b>	<b>Qty.</b>
1.	2120417	Upper cover	1
2.	2300405	Fixing screw	2
3.	1105220	Block nut M8	2
4.	2300111	Locking	4
5.	2310097	Complete handle	1
6.	1105325	Washer 6x24x2	2
7.	1105361	Screw 6.3x19	2
8.	2120422	Front drawer	1
9.	2110402	Bushing	2
10.	2120418	Front cover	1
11.	2120424	Back drawer	1
12.	2260406	Dashboard	1
13.	2160090	Back drawer gasket	1
14.	1105239	Screw 8x16	6
15.	1105304	Washer 8x17	4
16.	2270407	Frame BPS-28	1
17.	1105230	Screw 8x10	8
18.	2120427	Right side casing	1
19.	2120426	Left side casing	1
20.	2120428	Front casing	1
21.	1370003	Foot 20x9 M6x18	2
22.	1105123	Nut M6	2
23.	2300411	Right hinge	1
24.	2300412	Left hinge	1
25.	2110403	Bushing	2



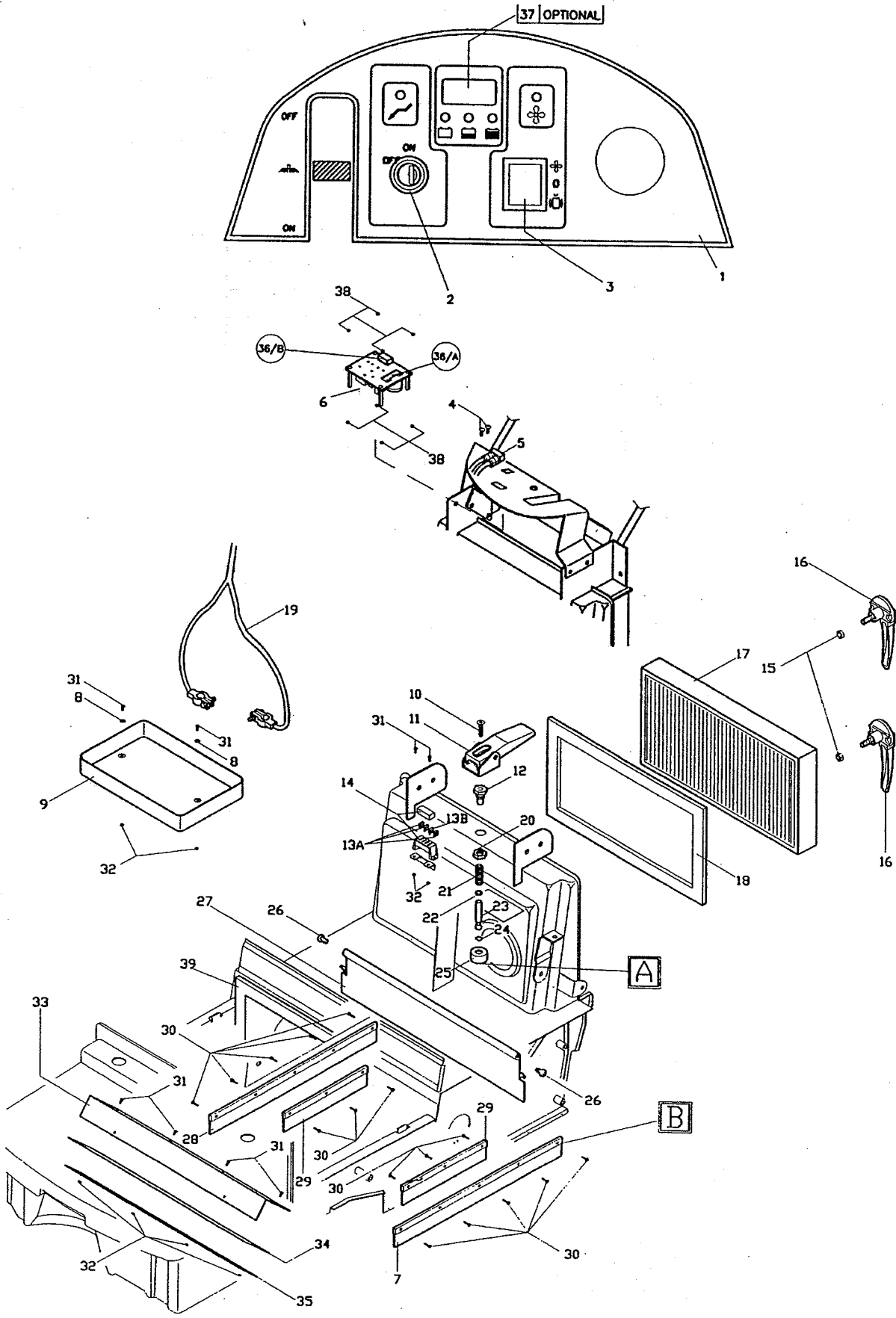
<i>Ref.</i>	<i>Part No.</i>	<i>Description</i>	<i>Qty.</i>
1.	2125017B	Side brush sheathing	1
2.	2310454	Traction handle	1
3.	1105229	Turned adjuster Ø7	3
4.	1125005	Sidebrush drive lever	1
5.	1105162	Screw 6x16	1
6.	1105303	Washer 6x12	3
7.	1320031	Handwheel, Ø60 12x67	1
8.	1110005	Knurled ring nut, Ø40 M12	1
9.	2125013	Drive cable sheath	1
10.	2125013C	Drive cable	1
11.	1105485	Dowel 5x6	2
12.	2290004	Wire fixing screw	2
13.	1105304	Washer 8x17	7
14.	1105134	Block nut M8	3
15.	1105238	Screw 8x25	3
16.	2110025	Belt tightener lever b.	1
17.	2205005	Traction spring	1
18.	2290001	Fixing screw belt tightener roller	1
19.	2250001	Belt tightener roll h15	1
20.	1390005	Bearing 608 2RS	1
21.	1105701	Inner snap ring Ø22	1
22.	2130001	Spacer	1
23.	2190011E	Belt tightener bracket	1
24.	2290007	Pin for rocker	2
25.	2110016	Rocker bushing	2
26.	2110017	Rocker	1
27.	1105133	Block nut M6	3
28.	1105096	Screw 12x60	1
29.	1250085	Rotary support wheel 0100 grey	1
	1250067	Rotary support wheel 0100 black	
30.	1105503	Screw 6x20	6
31.	1105551	Screw 5x70	4
32.	1105122	Nut M5	4
33.	2350027	Center brush	1
34.	2100009	Brush shaft	1
35.	1105461	Key 5x5x15	1
36.	2130003	Spacer brush'shaft	2
37.	1105482	Dowel 6x5	2
38.	2260028	Ø80 Bearing support	2
39.	1390009	Bearing 6202 2RS	2
40.	1105405	Outer snap ring Ø15	3

<i>Ref.</i>	<i>Part No.</i>	<i>Description</i>	<i>Qty.</i>
41.	1105420	Outer snap ring Ø12	1
42.	2230029	Brush adjusting fixing pivot	1
43.	2190005	Main brush adjustment bracket	1
44.	2105001	Side arm felt washer	2
45.	1390013	Bearing HK 1012	2
46.	1105230	Screw 8x10	2
47.	2130011	Side brush shaft spacer	1
48.	1105220	Nut M8	2
49.	2250019	Pulley	1
50.	1340008	Gearmotor, Ø77	1
51.	1105325	Washer 6x24	1
52.	2125017D	Side brush sheathing	1
53.	2125018E	Side brush lifting cable	1
54.	2230002	Pin 17x34	1
55.	1125004	Clamp Ø7	1
56.	1105231	Screw 8x22	1
57.	2190004	Side brush lifting lever	1
58.	1105327	Washer 8x32	1
59.	2100012	Ring for the side brush bearing	1
60.	1260029	Balls 11/32"	6
61.	2100019N	TK Side brush mov. toothed ring	1
62.	1105463	Key 3x3.7	1
63.	2110012N	Bushing for bearings	1
64.	1390012	Bearing 6005 2RS	2
65.	2100020	Idle toothed ring	1
66.	1105416	Outer snap ring Ø25	1
67.	2120425	Traction handle casing	1
68.	2110042	Spacer	2
69.	2250079	Pulley Ø27x15	1
70.	2330102	Belt Ø8x1000	1
71.	1105326	Washer 8x24	2
72.	2260024	Side brush support	1
73.	2250034	Side brush dragging flange	1
74.	2350020	Side brush	1
75.	2250080	Pulley Ø30x15	1
76.	1105160	Screw 6x10	3
77.	2130005	Spacer h10	1
78.	1390015	Bearing HK 1412	1
79.	2130012	Spacer h16	1
80.	1105136	Block nut M12	1
81.	2110405	Bushing	1

<i>Ref.</i>	<i>Part No.</i>	<i>Items Included</i>	<i>Description</i>
A.	2125100	4+E	Complete brush-lifting lever
B.	2315003	44+47+56+58+59+60+61+78	Complete movement ring
C.	2315008	63+64+65+66	Complete idle tooth ring
D.	2310127	73+74+76	Complete side brush PPL 70
E.	2310262	1+52+53	Side brush sheathing + cable
F.	1380005		Carbon brush
G.	2310112	38+39	Complete Ø80 Bearing support
H.	2310291	75+45	Complete pulley Ø27x15
I.	2310292	69+45	Complete pulley Ø30x15



<b>Ref.</b>	<b>Part No.</b>	<b>Description</b>	<b>Qty.</b>
1.	2120084	Wheel cover Ø200	2
2.	1105234	Screw 6x10	2
3.	1105325	Washer 6x24	2
4.	1105418	Outer snap ring Ø28	4
5.	1390016	Bearing HFL 1426	2
6.	2110033	Exagonal bushing	2
7.	1390015	Bearing HK 1412	2
8.	2250071	Wheel Ø250x55 black / black	2
	2250086	Wheel Ø250x55 grey / black	
9.	1105222	Screw 6x10	4
10.	1390017	Support SBPFL 203	2
11.	1105303	Washer 6x12	4
12.	1105133	Block nut M6	8
13.	1105464	Key 5x5x25	1
14.	2100006	Driveshaft	1
15.	1330006	Belt Z30 3/4	1
16.	2250029	Pulley Ø140	1
17.	1105481	Dowel 6x10	1
18.	1105001	Screw 4x12	1
19.	1105323	Washer 5x20	3
20.	2250030	Pulley Ø55	1
21.	1105235	Screw 6x20	3
22.	1390007	Bearing 6000 2RS	1
23.	2260032	Bearing support	1
24.	2230005	Belt support pin	1
25.	2260026	Motor support	1
26.	1290002	Fan Ø200	1
27.	1105022	Screw 5x10	2
28.	1105463	Key 3x3.7	1
29.	1340008	Drive gearmotor Ø77	1
30.	1340002	Motor with 077 smooth shaft	
31.	1105162	Screw 6x16	4
32.	1105324	Washer 6x18	4
33.	2230404	Pivot	1
34.	2260401	Fan protection grid	1
35.	1105160	Screw 6x10	1
36.	2120412	Air conveyor	1
37.	1250059	Reductor's gear	1
A.	2310099N	Complete right wheel black/black	
	2310402	Complete right wheel grey/black	
B.	2310100N	Complete left wheel black/black	
	2310401	Complete left wheel grey/black	
C.	2310117	Complete support	
D.	1380005	Carbon brush	



<i>Ref.</i>	<i>Part No.</i>	<i>Description</i>	<i>Qty.</i>
1.	6911400	Dashboards plate	1
2.	13801001	Keyswitch	1
3.	1380009	Bipolar switch	1
4.	1105363	Screw 5x20	2
5.	1380008	Batt. charger connector	1
6.	2180009	12V motor blocking driving	1
7.	2160107 2160060	Left side flap grey Left side flap black	1
8.	1105302	Washer 5x10	2
9.	2120125	Battery container	1
10.	1105504	Screw 6x25	1
11.	2310105	Complete filtershakers lever	1
12.	2165005	Filtershakers rail	1
13A.	1380023	Fuse 30A	3
13B.	1380017	Fuse 20A	1
14.	1380004	Fuse box + cover	1
15.	1105124	NutM8	2
16.	2310410	Unlocking filter handle	2
17.	2360002 2360005	Paper filter Polyester filter	1
18.	2160052	Filter gaskets kit	1
19.	1180037	Electrical installation	1
20.	1105221	Nut M18	1
21.	2205006	Filtershaker spring	1
22.	1160049	OR 106 Gasket	1
23.	2230018	Pin	1
24.	1105702	Inner snap ring Ø16	1
25.	2205007	Articulated bar	1
26.	1105232	Screw 10x16	2
27.	2160035	Backside flap	1
28.	2160106 2160036	Right side flap grey Right side flap black	1
29.	2160105 2160055	Inner flap grey Inner flap black	2
30.	1105356	Screw 3.5x9.5	16
31.	1105002	Screw 4x16	8
32.	1105121	Nut M4	8
33.	2150028	Flap fixer	1
34.	2160406	Rubber	1
35.	2160407	Flap	1
36A.	1380038	50A fuse	1
36B.	1380037	1.6A fuse	1
37.	13801000	Hour meter	1
38.	1105121	Nut M14	8
39.	2160033	Adhesive kit for front drawer	1
A.	2310106	Complete filtershaker jointed rod	
B.	2310095 2310400	Grey frame flap kit Black frame flap kit	