



Electronic Service Manuals

This electronic document is provided as a service to our customers. We do not create the contents of the information contained in this document. Should you have detailed questions pertaining to the information contained in this document, you may contact Michco, or the manufacturer which provided the original information in this electronic deliverable. Michco's only part in this electronic deliverable was the electronic assembly process. By providing this manual on line we are not guaranteeing parts availability.

You may contact Michco through the following methods:

Phone (517) 484-9312 or (800) 331-3339

2011 N. High St. -- Lansing, Michigan -- 48906

Fax: (517) 484-9836

Email: CustServe@Michco.com

Web site: www.Michco.Com

Parts Web site: www.FloorMachineParts.Com

Order Parts on Line at:

www.FloorMachineParts.Com

Directly to Parts & Service:

By Email: **Shop@Michco.com**

By Fax: (517) 702-2041

By Voice: Use numbers above.

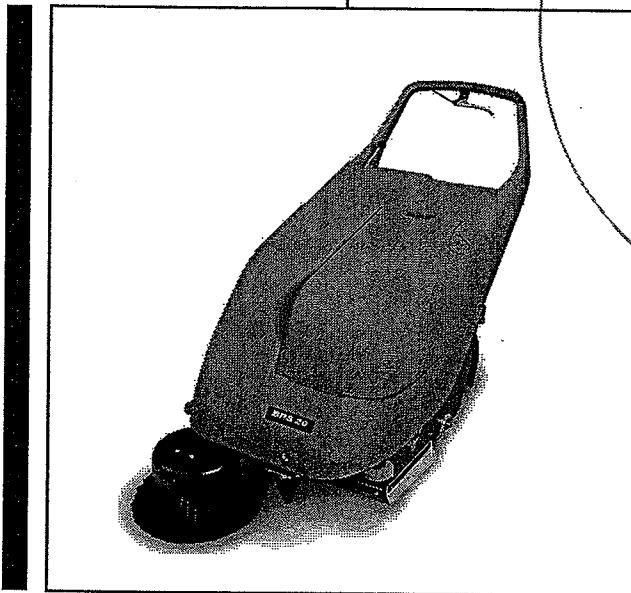
Serving the Cleaning Industry Since 1922

Notice: All copyrighted material remains property of original owners, all trademarks are property of respective owners. Manuals are subject to Manufacturer's reproduction limitations. Originals or reproductions were provided by manufacturers through a request. We make no warranty as to the correctness of information provided in this document and you assume all risk. By placing these manuals on line we are not declaring our corporation to be an manufacturer authorized dealer or provider, please check our web site for authorized manufacturers we represent.

BPS26 26" Battery Powered Sweeper

Parts Schematic

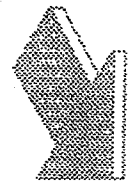
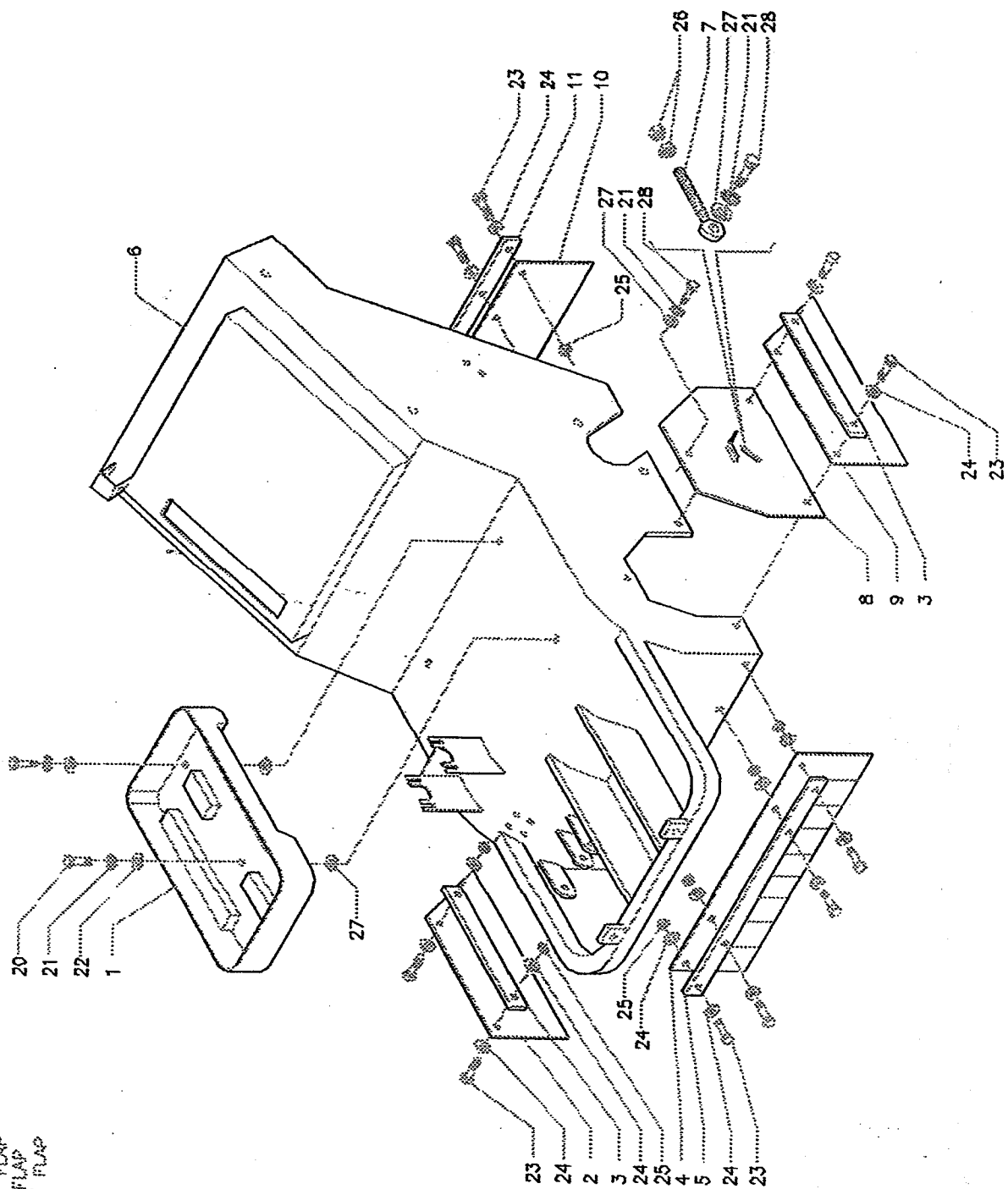
Item #89002-00



Chemicals
Equipment
Programs
Process

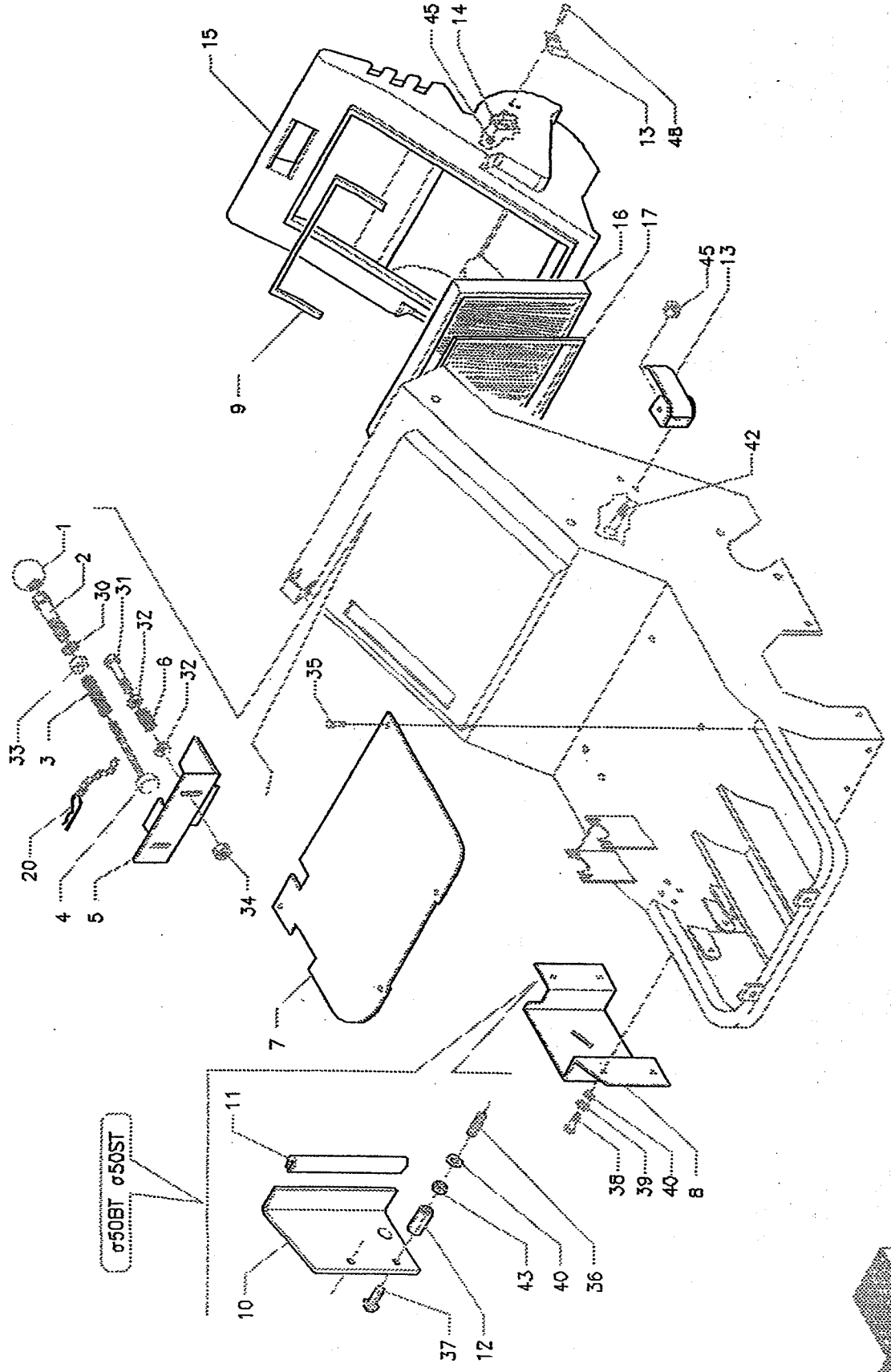


GRUPPO TELAIO / FLAP
 FRAME ASSEMBLY / FLAP
 GRUPE CHASSIS / FLAP
 RAHMENGRUPPE / FLAP
 GRUPO BASTIDOR / FLAP



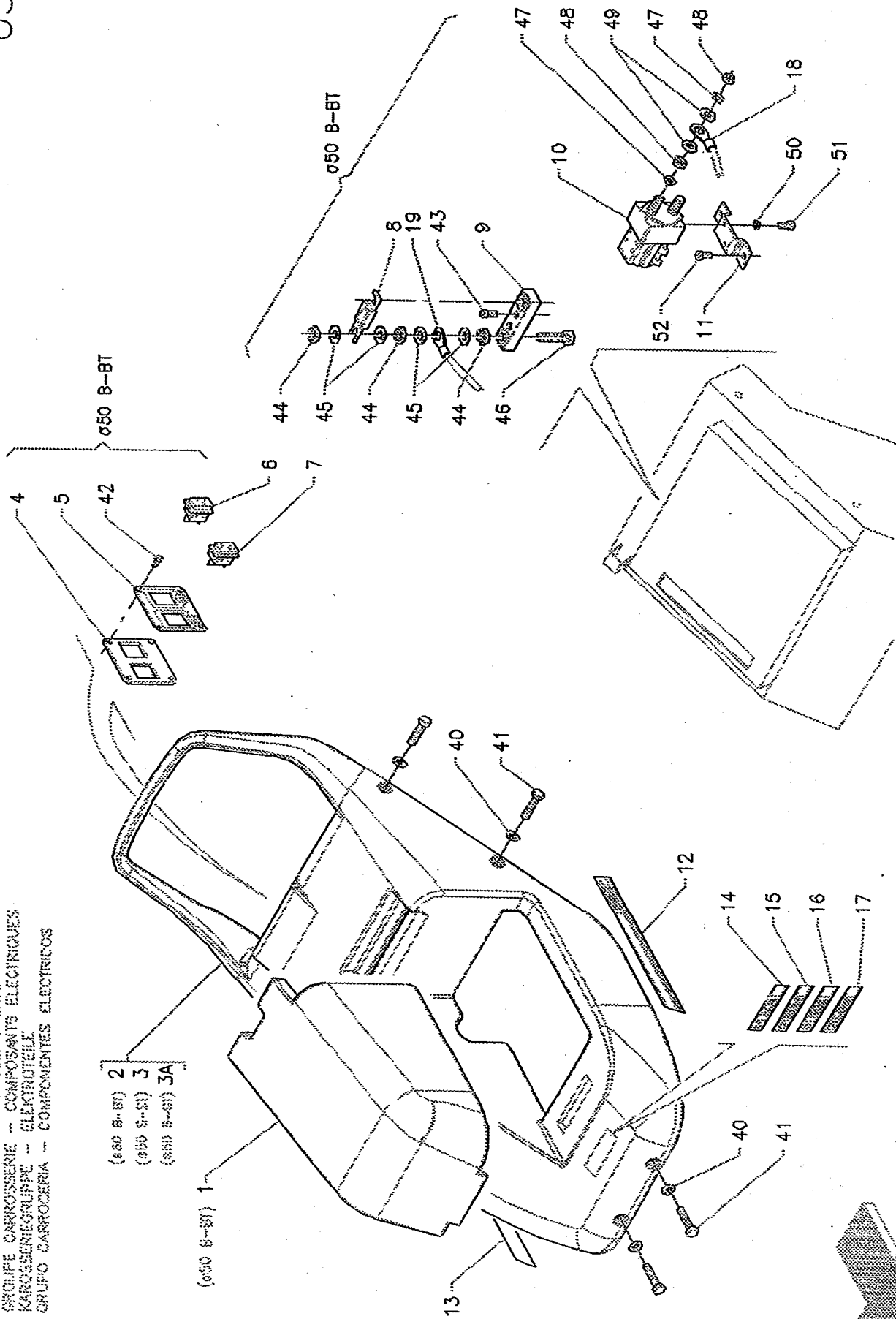
Pos.	Mod.	Codice	Q.tà	Denominazione	Denominazione	Description	Benennung	Description
1		R3816030	1	SOTTOFONDO BATTERIA	BASE	BASE	BASE	BASE
2		R3841150	1	GOMMA FISSA DX	RUBBER	CACOUTCHOU	GUMMI	GOMA
3		R3841180	2	PREMIGOMMA FISSA LAT	BLADE	PLAQUETTE	LEISTE	LISTON
4		R3841120	1	GOMMA FLAP	RUBBER	CACOUTCHOU	GUMMI	GOMA
5		R3841100	1	PREMIGOMMA FLAP	BLADE	PLAQUETTE	LEISTE	LISTON
6		E9938200	1	TELAIO	FRAME	CHASSIS	FHRGESTELL	BASTIDOR
7		R3107030	2	TIRANTE REG. SPAZZ. CENTR.	TIE ROD	TIRANT	STANGE	VARILLA
8		R3816010	1	SUPPORTO TELAIO SX	SUPPORT	SUPPORT	LAGER	SOPORTE
9		R3841160	1	GOMMA FISSA SX	RUBBER	CACOUTCHOU	GUMMI	GOMA
10		R3841130	1	GOMMA FISSA POST.	RUBBER	CACOUTCHOU	GUMMI	GOMA
11		R3841140	1	PREMIGOMMA FISSA POST.	BLADE	PLAQUETTE	LEISTE	LISTON
20		-	-	VITE 6X20 UNI 5739	SCREW	VIS	SCHRAUBE	TORNILLO
21		-	-	ROSETTA M8 DIN 6798/A	WASHER	RONDELLE	SCHEIBE	ARANDELA
22		-	-	ROSETTA M8X24 UNI 6592	WASHER	RONDELLE	SCHEIBE	ARANDELA
23		-	-	VITE 5X16 UNI 5739	SCREW	VIS	SCHRAUBE	TORNILLO
24		-	-	ROSETTA M5 UNI 6592	WASHER	RONDELLE	SCHEIBE	ARANDELA
25		-	-	DADO M5 AUT. UNI 7473	NUT	ECROU	MUTTER	TUERCA
26		-	-	DADO M6 UNI 5587	NUT	ECROU	MUTTER	TUERCA
27		-	-	ROSETTA M6 UNI 6592	WASHER	RONDELLE	SCHEIBE	ARANDELA
28		-	-	VITE 6X16 UNI 5739	SCREW	VIS	SCHRAUBE	TORNILLO

GRUPPO TELAIO / FILTRO
 FRAME ASSEMBLY / FILTER
 CHASSIS / FILTRE
 RAHMENGRUPPE / FILTER
 GRUPO BASTIDOR / FILTRO



Pos.	Mod.	Codice	Q.tà	Denominazione	Denomination	Description	Benennung	Descrizione
1		T4008001	1	POMELLO	KNOB	POIGNEE	KUGELGRIFF	POMO
2		R3156010	1	GUIDA PER SCUOTIFILTRO	GUIDE	GUIDE	HUND	GUIA
3		E2210120	1	MOLLA SCUOTIFILTRO	SPRING	RESSORT	FEDER	RESORTE
4		R3841050	1	SCUOTIFILTRO	FILTERSHAKER	VIBROSCOUQUEUR	FILTERRUETTLE	SACUIDIDOR DEL FILTRO
5		R3841030	1	STAFFA FILTRO	BRACKET	BRIDE	HALTER	SOPORTE
6		E2210080	2	MOLLA	SPRING	RESSORT	FEDER	RESORTE
7		R3816050	1	CHIUSURA ANTERIORE	COVER	PROTECTION	LAGER	SOPORTE
8		R3816090	1	SUPPORTO TELAIO DX	SUPPORT	SUPPORT	SUPPORT	JUNTA
9		E7402230	1	GUARNIZIONE CASSETTO	GASKET	GARNITURE	ABDECKUNG	CARTER
10	BT-ST	R3846090	1	CARTER CINGHIA	COVER	CARTER	CARTER	PERFIL
11	BT-ST	E7402220	1	PROFILO A "U"	PROFILE	PROFIL	PROFIL	TUERCA
12	BT-ST	T1010808	2	DADO DI PROLUNGAMENTO M8	NUT	ECROU	MUTTER	GANCHO
13		T4400001	2	GANCIO CASSETTO	HOOK	PINCE	HAKEN	PLACA
14		R3841180	2	PIASTRINA CASSETTO	PLATE	PLAQUE	TELLER	CAJON
15		R3841200	1	CASSETTO	BOX	TIROIR	BEHAELTER	FILTRO
16		E6500150	1	FILTRO ARIA	FILTER	FILTRE	FILTER	JUNTA
17		E7402310	1	GUARNIZIONE FILTRO	GASKET	GARNITURE	DICHTUNG	CADENA
18		R0811020	1	CATENELLA CON SPILLO	CHAIN	CHAINE	KETTE	ARANDELA
19		-	-	ROSETTA M14 DIN 6798/A	WASHER	RONDELLE	SCHRAUBE	ARANDELA
20		-	-	VITE 6X35 UNI 5739	SCREW	VIS	MUTTER	TUERCA
21		-	-	ROSETTA M6 D18 UNI 6593	WASHER	RONDELLE	SCHRAUBE	TORNILLO
22		-	-	DADO M14X2 UNI 5688	NUT	ECROU	MUTTER	TUERCA
23		-	-	DADO M6 UNI 5587	NUT	ECROU	MUTTER	TUERCA
24		-	-	VITE AUT. 4.8X13	SCREW	VIS	SCHRAUBE	TORNILLO
25		-	-	GRANO M8X40 UNI 5923	DOWEL	VIS	MADENSCHRAUBE	TORNILLO
26		-	-	VITE M8X16 TBEI UNI ISO 7380	SCREW	VIS	SCHRAUBE	TORNILLO
27		-	-	VITE 8X20 UNI 5739	SCREW	VIS	SCHRAUBE	TORNILLO
28		-	-	ROSETTA M8 DIN 6798/A	WASHER	RONDELLE	SCHRAUBE	ARANDELA
29		-	-	ROSETTA M8 UNI 6582	WASHER	RONDELLE	SCHRAUBE	ARANDELA
30		-	-	VITE 3X8 UNI 6109	SCREW	VIS	SCHRAUBE	TORNILLO
31		-	-	DADO M8 UNI 5688	NUT	ECROU	MUTTER	TUERCA
32		-	-	DADO M3 AUT. UNI 7473	NUT	ECROU	MUTTER	TUERCA
33		-	-	VITE 3X16 UNI 5739	SCREW	VIS	SCHRAUBE	TORNILLO

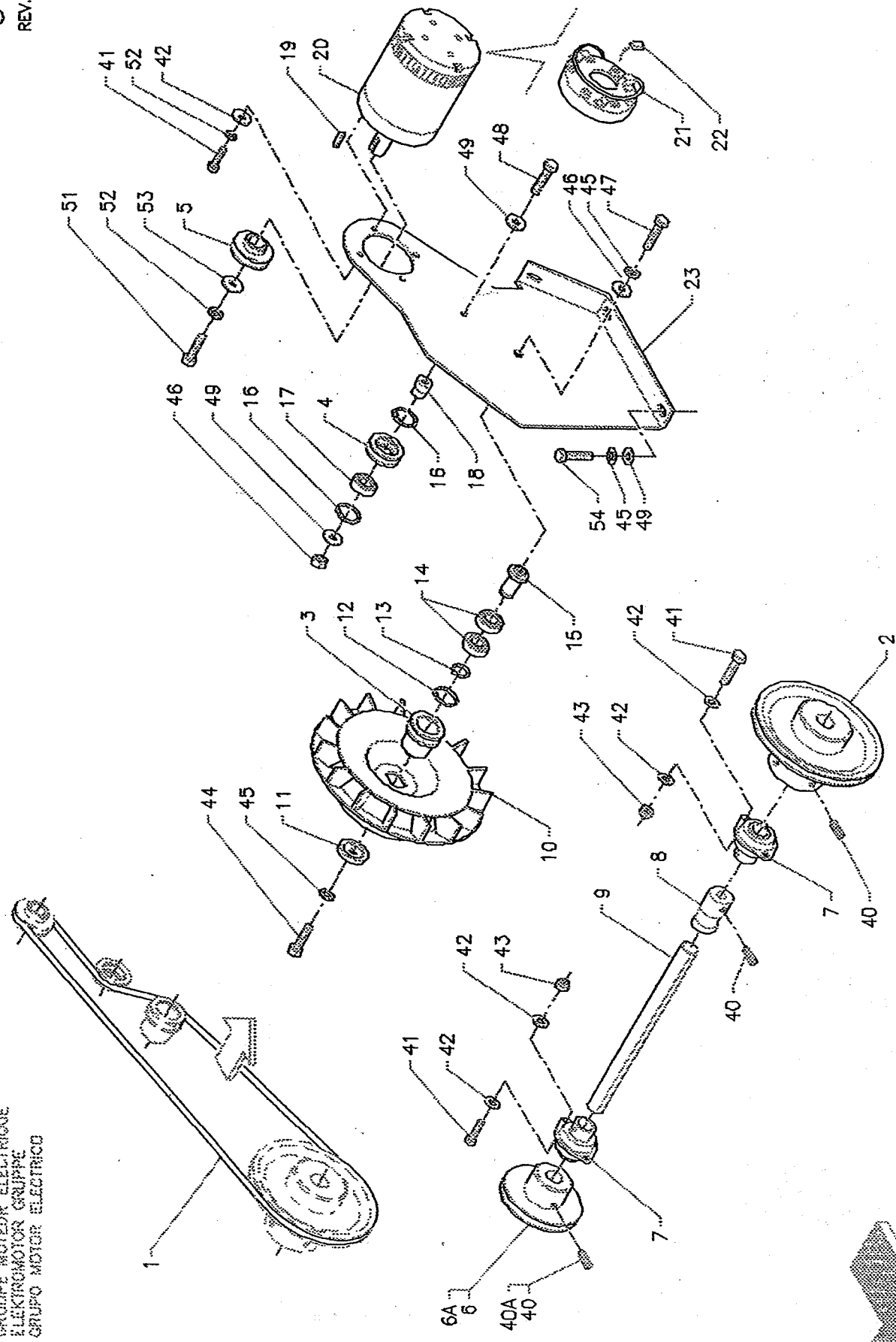
GRUPPO CARROZZERIA - COMPONENTI ELETTRICI
 BODY ASSEMBLY - ELECTRIC COMPONENTS
 GROUPE CARROSSERIE - COMPOSANTS ELECTRIQUES
 KAROSSENGRUPPE -- ELEKTROTEILE
 GRUPO CARROZERIA -- COMPONENTES ELECTRICOS



Pos.	Mod.	Codice	Q.tà	Denominazione	Denomination	Description	Benennung	Description
1	B-BT	R3848100	1	COPERCHIO BATTERIA	COVER	CARTER	SCHUTZ	CARTER
2	B-BT	R3846070	1	COFANO σ50 B-BT	BONNET σ50 B-BT	COUVERCLE σ50 B-BT	ABDECKHAUBE σ50 B-BT	TAPADERA σ50 B-BT
3	"	R3846080	1	COFANO σ50 S-ST	BONNET σ50 S-ST	COUVERCLE σ50 S-ST	ABDECKHAUBE σ50 S-ST	TAPADERA σ50 S-ST
3A	"	R3848150	1	COFANO σ50 S-ST	BONNET σ50 S-ST	COUVERCLE σ50 S-ST	ABDECKHAUBE σ50 S-ST	TAPADERA σ50 S-ST
4	B-BT	R3848110	1	PIASTRINA CRUSCOTTO	SHEET	TOLE	BLECH	CHAPA
5	B-BT	E6410318	1	INT. BIP. LUM. VERDE 12V	SWITCH	INTERRUPTEUR	SCHALTER	ETIQUETA
6	B-BT	T2102008	1	SPIA LIVELLO BATTERIA	INDICATOR	INDICATEUR	ANZEIGER	INTERRUPTOR
7	B-BT	T2300209	1	FUSIBILE LAMELLARE 80A	FUSE	FUSIBLE	SICHERUNG	SEGNALE
8	B-BT	T2408001	1	PORTAFUSIBILE	FUSEHOLDER	PORTE-FUSIBLE	SICHERUNGSHALTER	FUSIBLE
9	B-BT	T2400004	1	TELERUTTORE	REMOTE CONTROL SWITCH	TELERUPTEUR	FERNSTEUER	PORTAFUSIBILE
10	B-BT	E6410003	1	STAFFA TELERUTTORE	SUPPORT	ATTAQUE	HALTERUNG	CONTROL REMOTO
11	B-BT	T2806004	1	ETICHETTA SX	LABEL	ETIQUETTE	SCHILD	SOPORTE FIJADOR
12	B	E6410004	1	ETICHETTA DX	LABEL	ETIQUETTE	SCHILD	ETIQUETA
13	B	E6410003	1	ETICHETTA σ50 B	LABEL	ETIQUETTE	SCHILD	ETIQUETA
14	BT	E6410118	1	ETICHETTA σ50 BT	LABEL	ETIQUETTE	SCHILD	ETIQUETA
15	ST	E6410320	1	ETICHETTA σ50 S	LABEL	ETIQUETTE	SCHILD	ETIQUETA
16	ST	E6410117	1	ETICHETTA σ50 ST	LABEL	ETIQUETTE	SCHILD	ETIQUETA
17	ST	E6410321	1	CAPOCORDA D. 8,4	CONTACT	CONTACT	KONTAKT	ETIQUETA
18		T3020003	1	CAPOCORDA D. 10,5	CONTACT	CONTACT	KONTAKT	CONTACTO
19		T3020005	1	ROSETTA Ø 6X24 UNI 6553	WASHER	RONDELLE	SCHWEIBE	CONTACTO
40			-	VITE M6X50 TE UNI 6739	SCREW	VIS	SCHRAUBE	ARANDELA
41			-	VITE Ø 4,2X13 TCTC AUTOFIL.	SCREW	VIS	SCHRAUBE	TORNILLO
42			-	VITE Ø 4,8X25 TCTC AUTOFIL.	SCREW	VIS	SCHRAUBE	TORNILLO
43			-	DADO M10 UNI 5589	NUT	ECROU	MUTTER	TORNILLO
44			-	RONDELLA Ø 10X21 OTTONE	WASHER	RONDELLE	SCHWEIBE	TORNILLO
45			-	ROSETTA Ø 8 GROWER UNI 1751	SCREW	VIS	SCHRAUBE	TORNILLO
46			-	DADO M8 UNI 5588	NUT	ECROU	MUTTER	TORNILLO
47			-	RONDELLA Ø 8X17 OTTONE	WASHER	RONDELLE	SCHWEIBE	TORNILLO
48			-	ROSETTA Ø 4 GROWER UNI 1751	SCREW	VIS	SCHRAUBE	TORNILLO
49			-	VITE Ø 4,8X13 TCTC UNI 6954	SCREW	VIS	SCHRAUBE	TORNILLO
50			-					
51			-					
52			-					

* = MOTORE TECNIMSEH
 ** = MOTORE HONDA

GRUPPO MOTORE ELETTRICO
ELECTRICAL ENGINE ASSEMBLY
GROUPE MOTEUR ELECTRIQUE
ELEKTROMOTOR GRUPPE
GRUPO MOTOR ELECTRICO

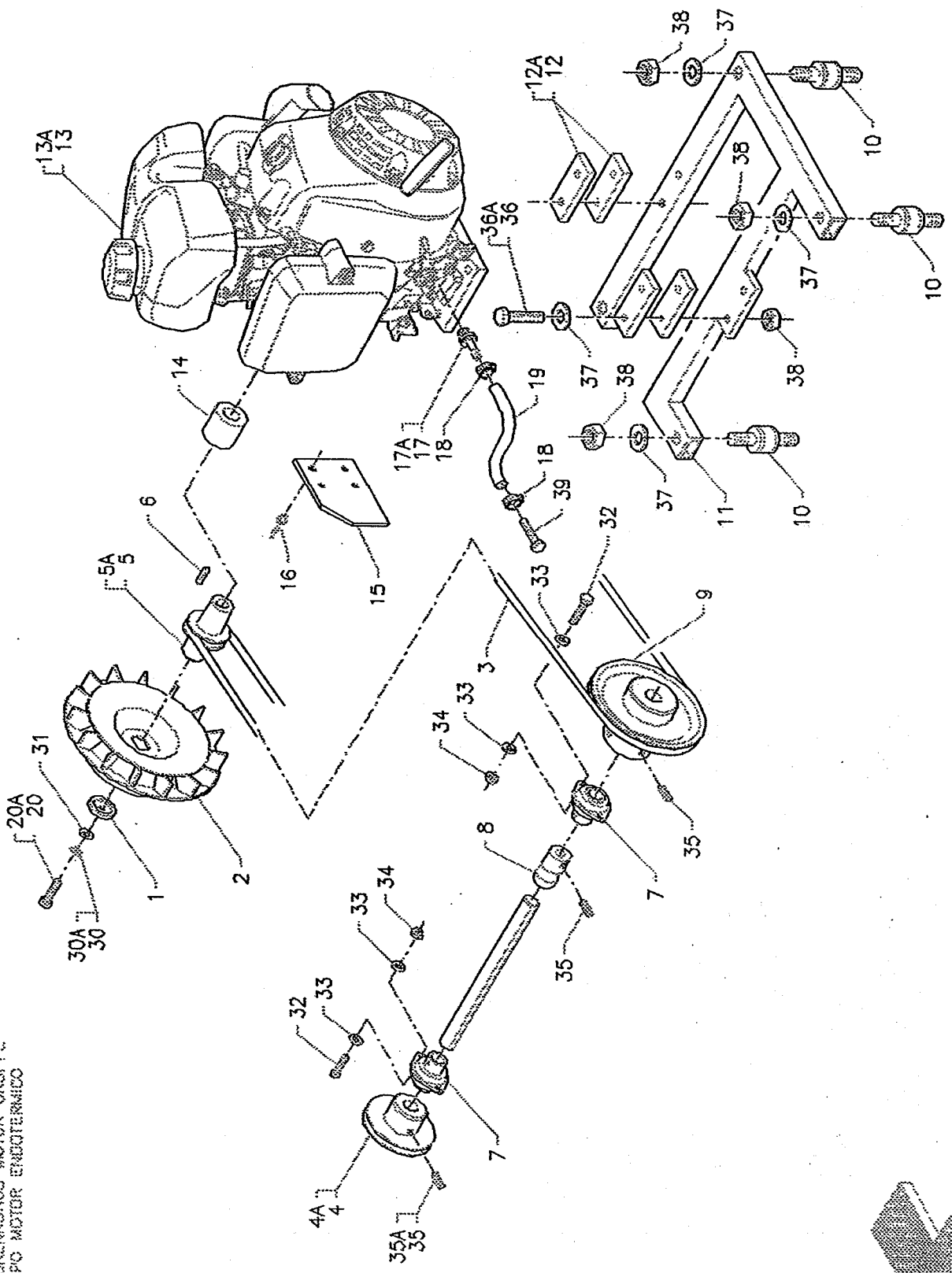


Pos.	Mod.	Codice	Q.tà	Denominazione	Denomination	Description	Benennung	Description
1		T0150010	1	CINGHIA Ø 8X1086	BELT	COURROIE	RIEMEN	CORREA
2		E9431030	1	PULEGGIA	PULLEY	POULIE	RIEMENSCHLEIBE	POLEA
3		E9431050	1	PULEGGIA PORTA VENTOLA	PULLEY	POULIE	RIEMENSCHLEIBE	POLEA
4		E9440080	1	PULEGGIA TENDICINGHIA	PULLEY	POULIE	RIEMENSCHLEIBE	POLEA
5		E9410310	1	PULEGGIA MOTORE	PULLEY	POULIE	RIEMENSCHLEIBE	POLEA
6	B	E9438040	1	PULEGGIA	PULLEY	POULIE	RIEMENSCHLEIBE	POLEA
6A	BT	E9440080	1	PULEGGIA	PULLEY	POULIE	RIEMENSCHLEIBE	POLEA
7		T0541701	2	SUPPORTO BPFL 203 2	SUPPORT	SUPPORT	HALTERUNG	SOPORTE
8		E9438030	1	PULEGGIA SPAZZOLA LAT.	PULLEY	POULIE	RIEMENSCHLEIBE	POLEA
9		R3117040	1	ALBERO RINVIO	SCHAFT	ARBRE	WELLE	EJE
10		T6410001	1	VENTOLA	FAN	VENTILATEUR	VENTILATOR	VENTILADOR
11		R3141180	1	RONDELLA	WASHER	RONDELLE	SCHLEIBE	ARANDELA
12		T0210002	1	SEEGER I 35	SEEGER RING	SERRE CLIPS	SEEGERRING	ANILLO SEEGER
13		T0220001	1	SEEGER E 15	SEEGER RING	SERRE CLIPS	SEEGERRING	ANILLO SEEGER
14		T0511502	2	CUSCINETTO 6202-2RS1	BEARING	ROULEMENT	LAGER	COJINETE
15		R3841210	1	PERNO	PIN	AXE	BOLZEN	PERNO
16		T0210001	2	SEEGER I 32	SEEGER RING	SERRE CLIPS	SEEGERRING	ANILLO SEEGER
17		T0511501	1	CUSCINETTO 6002-2RS1	BEARING	ROULEMENT	LAGER	COJINETE
18		R3817050	1	PERNO	PIN	AXE	BOLZEN	PERNO
19		T0405051	1	LINGUETTA 5X5X20	TONGUE	LANGUETTE	PASSFEDER	CLAVETA
20		E8210120	1	MOTORE	MOTOR	MOTEUR	MOTOR	MOTOR
21		T1707142	2	SPAZZOLA MOTORE	CARBON BRUSH MOTOR	CHARBON MOTEUR	KOHLEBÜRSTE	ESCOBILLA MOTOR
22		T1700002	1	PORTASPAZZOLE	CARBON BRUSH HOLDER	PORTE-CHARBON	KOHLEBÜRSTHALTERUNG	PORTAESCOBILLAS
23		R3817040	1	PIASTRA SUPPORTO MOTORE	PLATE	PLAQUE	TELLER	PLACA
40	B		-	GRANO M6X10 UNI 5929	DOWEL	VIS	MADENSCHRAUBE	TORNILLO
40A	BT		-	GRANO M6X16 UNI 5929	DOWEL	VIS	MADENSCHRAUBE	TORNILLO
41			-	VITE M8X20 TE UNI 5739	SCREW	VIS	SCHRAUBE	TORNILLO
42			-	RONDELLA Ø 6X12 UNI 6592	WASHER	RONDELLE	SCHLEIBE	ARANDELA
43			-	DADO M8 AUTOBL. UNI 7473	NUT	ECROU	MUTTER	TUERCA
44			-	VITE M8X20 TE UNI 5739	SCREW	VIS	SCHRAUBE	TORNILLO
45			-	RONDELLA Ø 8 DENT.	WASHER	RONDELLE	SCHLEIBE	ARANDELA
46			-	RONDELLA Ø 8X24 UNI 6592	WASHER	RONDELLE	SCHLEIBE	ARANDELA
47			-	VITE M8X16 TE UNI 5739	SCREW	VIS	SCHRAUBE	TORNILLO
48			-	RONDELLA Ø 8X17 UNI 6592	WASHER	RONDELLE	SCHLEIBE	ARANDELA
49			-	DADO M8 AUTOBL. UNI 7473	NUT	ECROU	MUTTER	TUERCA
50			-	VITE M8X16 TE UNI 5739	SCREW	VIS	SCHRAUBE	TORNILLO
51			-	RONDELLA Ø 6 DENT.	WASHER	RONDELLE	SCHLEIBE	ARANDELA
52			-	RONDELLA Ø 6X18 UNI 6592	WASHER	RONDELLE	SCHLEIBE	ARANDELA
53			-	VITE M8X20 TE UNI 5739	SCREW	VIS	SCHRAUBE	TORNILLO
54			-					

04A

REV. 0

GRUPPO MOTORE ENDOTERMICO
ENDOTHERMIC ENGINE ASSEMBLY
GRUPE MOTEUR ENDOTHERMIQUE
VERBRENINGS MOTOR GRUPE
GRUPO MOTOR ENDOTERMICO

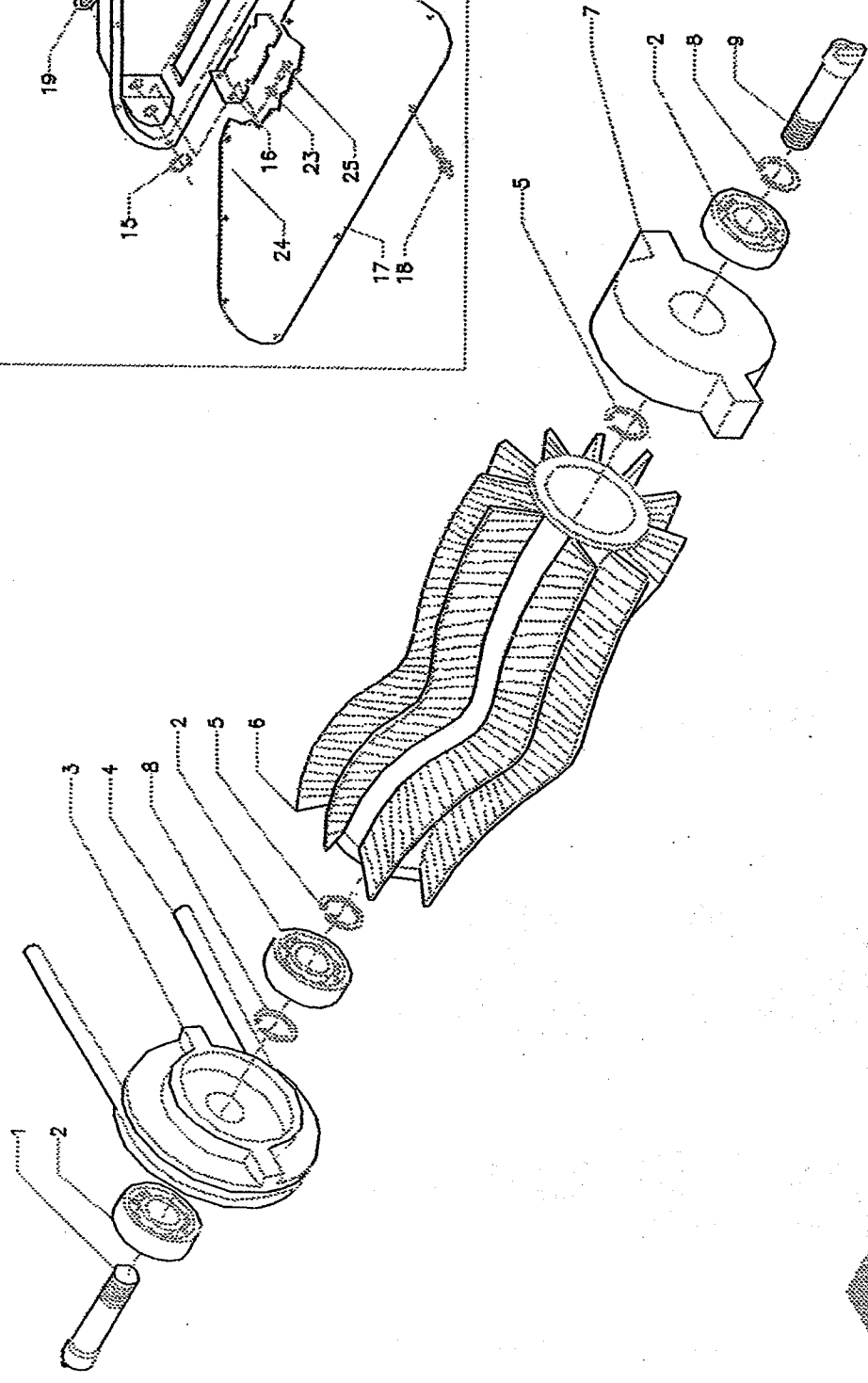
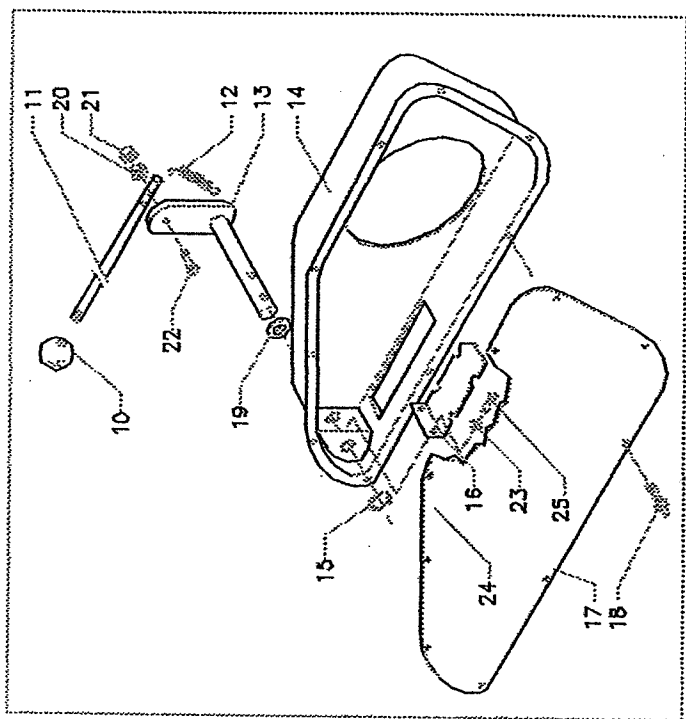


Pos.	Mod.	Codice	Q.tà	Denominazione	Denomination	Description	Benennung	Descrizione
1		R3141190	1	RONDELLA	WASHER	RONDELLE	SCHLEIBE	ARANDELA
2		T5410001	1	VENTOLA	FAN	VENTILATEUR	VENTILATOR	VENTILADOR
3		T0150002	1	CINGHIA Ø 10X700	BELT	COURROIE	RIEMEN	CORREA
4	S	E9438040	1	PULEGGIA	PULLEY	POULIE	RIEMENSCHLEIBE	POLEA
4A	ST	E9440080	1	PULEGGIA	PULLEY	POULIE	RIEMENSCHLEIBE	POLEA
5	*	E9432020	1	PULEGGIA MOTORE	PULLEY	POULIE	RIEMENSCHLEIBE	POLEA
5A	**	E9410370	1	PULEGGIA MOTORE	PULLEY	POULIE	RIEMENSCHLEIBE	POLEA
6		T0400001	1	LINGUETTA MOTORE	TONGUE	LANGUETTE	HALTERUNG	CLAVETA
7		T0541701	2	SUPPORTO BPFL 203 2	SUPPORT	SUPPORT	SUPPORT	SOPORTE
8		E9438030	1	PULEGGIA SPAZZOLA LAT.	PULLEY	POULIE	RIEMENSCHLEIBE	POLEA
9		E9431030	1	PULEGGIA	PULLEY	POULIE	RIEMENSCHLEIBE	POLEA
10		E9735010	4	ANTIVIBRANTE	VIBRATION-DAMPING	ANTIVIBRATOIRE	SCHWINGUNGSDAEMPFEND	ANTIVIBRADOR
11		R3818060	1	SUPPORTO	SUPPORT	SUPPORT	HALTERUNG	SOPORTE
12	*	R3816080	2	DISTANZIALE	SPACER	ENTRETOISE	DISTANZHÜLSE	DISTANCIADOR
12A	**	R3230110	4	DISTANZIALE	SPACER	ENTRETOISE	DISTANZHÜLSE	DISTANCIADOR
13	*	E9290008	1	MOTORE TECUMSEH	MOTOR	MOTEUR	MOTOR	MOTOR
13A	**	E9290004	1	MOTORE HONDA	MOTOR	MOTEUR	MOTOR	MOTOR
14	*	E9038010	1	DISTANZIALE	SPACER	ENTRETOISE	DISTANZHÜLSE	DISTANCIADOR
15	*	R3857010	1	DEFLETTORE TUBO MARMITTA	BAFFLE	DEFLECTEUR	ABWEISER	DESVIADOR
16	**	T1400002	4	RIVETTO	RIVET	RIVET	SCHRAUBE	RIVET
17	*	T4550001	1	PORTAGONMA	CONNECTOR	RACCORD	SCHLAUCHANSCHLUSS	EMPALME TUBO DE GOMA
17A	**	T4540008	1	PORTAGONMA	CONNECTOR	RACCORD	SCHLAUCHANSCHLUSS	EMPALME TUBO DE GOMA
18		T4220005	2	FASCETTA A VITE 11-17	CLAMP	COLLIER	LAGGERING	ANILLO
19		E7510340	1	TUBO VITREO Ø 10X450	PIPE	TUYAU	ROHR	TUBO
20	*	T0810004	1	VITE TE SPECIALE	SCREW	VIS	SCHRAUBE	TORNILLO
20A	**	T0810692	1	VITE TE SPECIALE	SCREW	VIS	SCHRAUBE	TORNILLO
30	*	-	-	RONDELLA Ø 8 GROWER	WASHER	RONDELLE	SCHLEIBE	ARANDELA
30A	**	-	-	RONDELLA Ø 6 GROWER	WASHER	RONDELLE	SCHLEIBE	ARANDELA
31	**	-	-	RONDELLA Ø 6X18 UNI 6592	SCREW	VIS	SCHRAUBE	TORNILLO
32	*	-	-	VITE M6X20 TE UNI 5739	SCREW	VIS	SCHRAUBE	TORNILLO
33	*	-	-	RONDELLA Ø 6X12 UNI 6592	WASHER	RONDELLE	SCHLEIBE	ARANDELA
34	*	-	-	DADO M8 AUTOBL. UNI 7473	NUT	ECROU	MUTTER	TUERCA
35	S	-	-	GRANO M6X10 UNI 5928	DOWEL	VIS	MADENSCHRAUBE	TORNILLO
35A	ST	-	-	GRANO M6X16 UNI 5928	DOWEL	VIS	MADENSCHRAUBE	TORNILLO
36	*	-	-	VITE M8X45 TE UNI 5739	SCREW	VIS	SCHRAUBE	TORNILLO
36A	**	-	-	VITE M8X35 TE UNI 5739	SCREW	VIS	SCHRAUBE	TORNILLO
37	*	-	-	RONDELLA Ø 8X17 UNI 6592	WASHER	RONDELLE	SCHLEIBE	ARANDELA
38	*	-	-	DADO M8 AUTOBL. UNI 7474	NUT	ECROU	MUTTER	TUERCA
39	*	-	-	VITE M10X25 TE UNI 5739	SCREW	VIS	SCHRAUBE	TORNILLO

* = MOTORE TECUMSEH
** = MOTORE HONDA

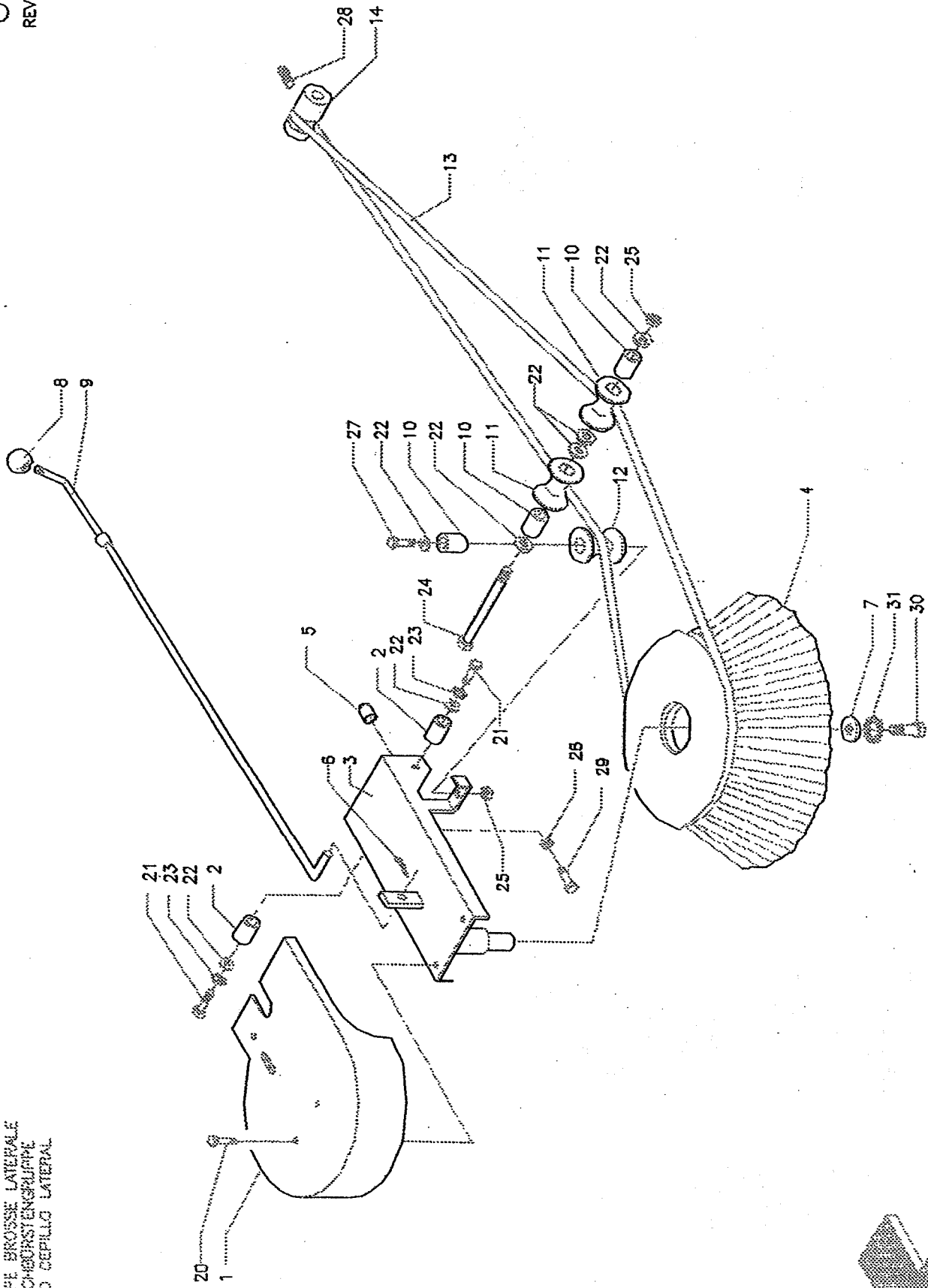
GRUPPO SPAZZOLA CENTRALE
 CENTRAL BRUSH ASSEMBLY
 GROUPE BRUSSE CENTRALE
 ZENTRALEBRUSTENGRUPPE
 GRUPO CEPILLO CENTRAL

05
 REV. 0



Pos.	Mod.	Codice	Qtà	Denominazione	Denomination	Description	Benennung	Description
1		R3807010	1	PERNO SPAZZOLA DX	PIN	PIVOT	BOLZEN	EJE
2		T0511501	3	CUSCINETTO	BEARING	COUSSINET	LAGER	COJNETE
3		E9431080	1	PULEG.TRASC. SPAZZ. CENTR	PULLEY	POULIE	RIEMENSCHLEIBE	POLEA
4		T0150004	1	CINGHIA	BELT	COURROIE	RIEMEN	CORREA
5		T0220001	2	ANELLO EST. 15	RING	BAGUE	RING	ANILLO
6		E6831010	1	SPAZZOLA CENTRALE	BRUSH	BROSSE	BURSTE	CEPILLO
7		R3107010	1	PORTASPAZZOLA CENTRALE	BRUSH HOLDER	PORTE-BROSSE	BURSTENHALTER	PORTA-CEPILLO
8		T0210001	2	ANELLO INT. 32	RING	BAGUE	RING	ANILLO
9		R3807020	1	PERNO SPAZZOLA SX	PIN	PIVOT	BOLZEN	EJE
10		T4008001	1	POMELLO	KNOB	POIGNEE	KUGELGRIFF	POMO
11		R3841110	1	MANETTA DI CHIUSURA	HANDLE	MENOTTES	HANDSCHELLE	MANETA
12		E9220150	1	MOLLA	SPRING	RESSORT	FEDER	RESORTE
13		R3841080	1	PERNO CHIUSURA	PIN	PIVOT	BOLZEN	EJE
14		R3841021	1	CORPO CONVOGLIATORE ARIA	CONVEYOR	CONVOYEUR	KUHLERHAUBE	CONVOYADOR
15		T0220003	1	ANELLO EST. 17	RING	BAGUE	RING	ANILLO
16		R3841080	1	CHIUSURA ASPIRATORE	DOOR	PORTE	TUR	PORTILLO
17		R3841022	1	COPERCHIO CONVOGL.	COVER	COUVERCLE	DECKEL	TAPA
18		T1400001	9	RIVETTO 6.4X19 NYLON	RIVET	RIVET	SCHRAUBE	RIVET
19		T1118001	1	ROSETTA 18X30X3 NYLON	WASHER	RONDELLE	SCHLEIBE	ARANDELA
20		-	1	DADO M5 UNI 5687	NUT	ECROU	MUTTER	TUERCA
21		-	-	DADO M5 AUT. UNI 7473	NUT	ECROU	MUTTER	TUERCA
22		-	-	VITE 5X25 UNI 5739	SCREW	VIS	SCHRAUBE	TORNILLO
23		-	-	ROSETTA M4 UNI 6592	WASHER	RONDELLE	SCHLEIBE	ARANDELA
24		-	-	ROSETTA M4 DIN 6788/A	WASHER	RONDELLE	SCHLEIBE	ARANDELA
25		-	-	VITE 4X16 UNI 5739	SCREW	VIS	SCHRAUBE	TORNILLO

GRUPPO SPAZZOLA LATERALE
LATERAL BRUSH ASSEMBLY
GRUPPE BROSSE LATÉRALE
SEITLICHBORSTENGRUPPE
GRUPO CEPILLO LATERAL

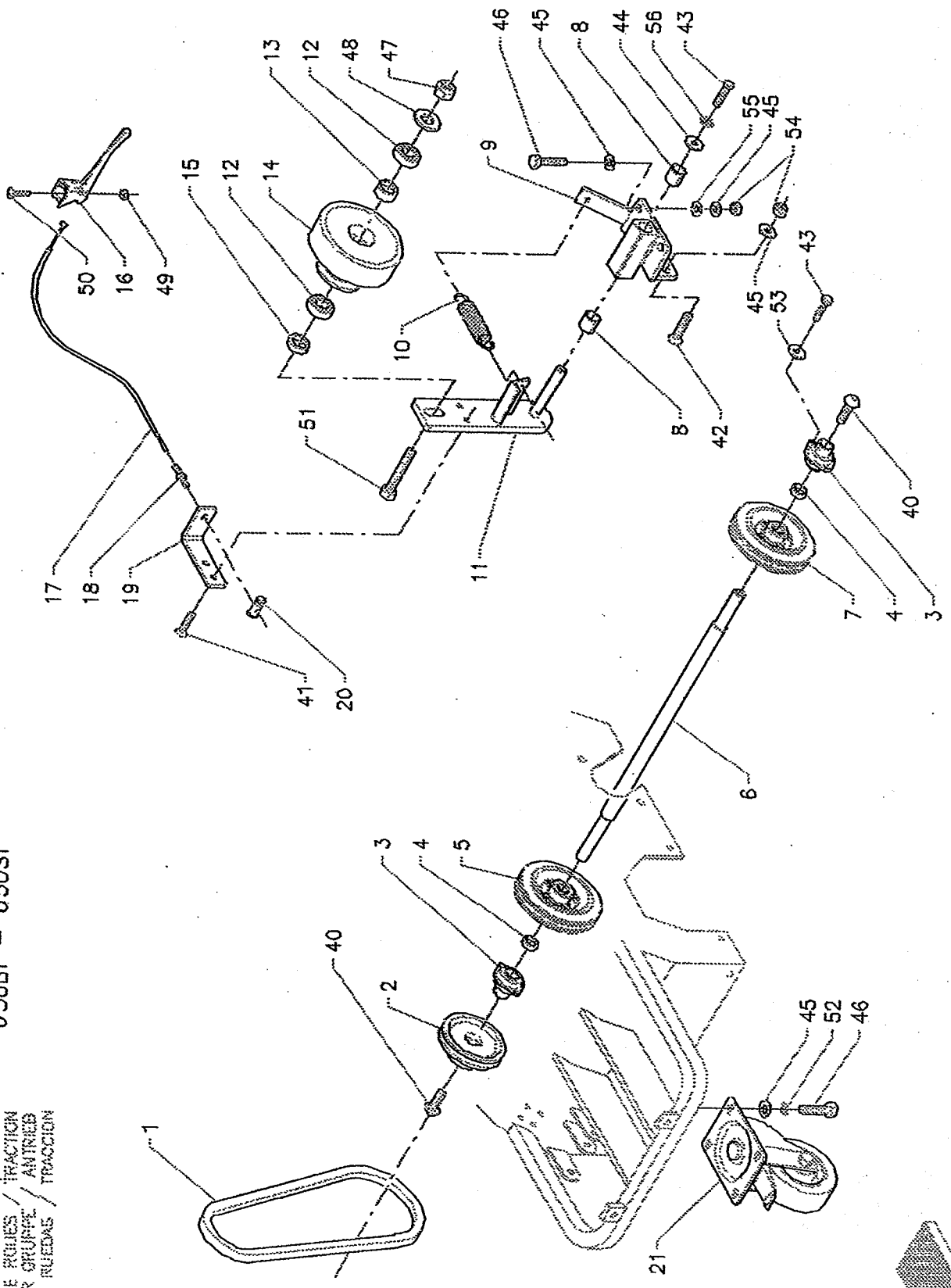


Pos.	Mod.	Codice	Q.tà	Denominazione	Denomination	Description	Benennung	Description
1		R3846030	1	CARTER	COVER	CARTER	SCHUTZ	CARTER
2		R3802030	2	BOCCOLA	BUSHING	DOUILLE	BUCHSE	CASQUILLO
3		R3808010	1	BRACCIO	ARM	BRAS	ARM	BRAZO
4		E6838010	1	SPAZZOLA	BRUSH	BROSSE	BRUSTE	CEPILLO
5		T4808004	1	PIEDINO Ø8	FOOT	PIEDS	FUSS	BASE
6		T1502001	1	COPIGLIA 2X20	SPLIT PIN	GOUJILLE	SPLINT	PASADOR DE ALETAS
7		R3808020	1	RONDELLA	WASHER	RONDELLE	SCHLEIBE	ARANDELA
8		T4008001	1	POMELLO	KNOB	POIGNEE	KUGELGRIFF	POMO
9		R3808030	1	LEVA	LEVER	LEVIER	HEBEL	PALANCA
10		E9138020	3	BOCCOLA	BUSHING	DOUILLE	BUCHSE	CASQUILLO
11		R3803040	2	RULLINO	ROLLER	ROULEAU	ROLLE	RODILLO
12		R3803020	1	RULLINO	ROLLER	ROULEAU	ROLLE	RODILLO
13		T0150005	1	CINGHIA	BELT	COURROIE	RIEMEN	CORREA
14		E9438030	1	PULEGGIA	PULLEY	POULIE	RIEMENSCHLEIBE	POLEA
20		-	-	VITE TCTC M5X16 UNI 7687	SCREW	VIS	SCHRAUBE	TORNILLO
21		-	-	VITE 8X20 UNI 5739	SCREW	VIS	SCHRAUBE	TORNILLO
22		-	-	ROSETTA M8 D24 UNI 6683	WASHER	RONDELLE	SCHLEIBE	TORNILLO
23		-	-	ROSETTA D.8 GROWER	WASHER	RONDELLE	SCHLEIBE	ARANDELA
24		-	-	VITE TE 8X70 UNI 5739	SCREW	VIS	SCHRAUBE	TORNILLO
25		-	-	DADO M8 AUT. UNI 7474	NUT	ECROU	MUTTER	TUERCA
26		-	-	DADO M8 UNI 5587	NUT	ECROU	MUTTER	TUERCA
27		-	-	VITE 8X35 UNI 5739	SCREW	VIS	SCHRAUBE	TORNILLO
28		-	-	GRANO M6X10	DOWEL	VIS CYLINDRIQUE	HADEN SCHRAUBE	TORNILLO
28		-	-	VITE TE 8X50 UNI 5739	SCREW	VIS	SCHRAUBE	TORNILLO
30		-	-	VITE TE 8X16 UNI 5739	SCREW	VIS	SCHRAUBE	TORNILLO
31		-	-	ROSETTA D.8 GROWER	WASHER	RONDELLE	SCHLEIBE	ARANDELA

σ50BT - σ50ST

GRUPPO RUOTE / TRAZIONE
WHEELS ASSEMBLY / TRACTION
GROUPE ROUES / TRACTION
RÄDER GRUPPE / ANTRIEB
GRUPO RUEDAS / TRACCION

07
REV. 0

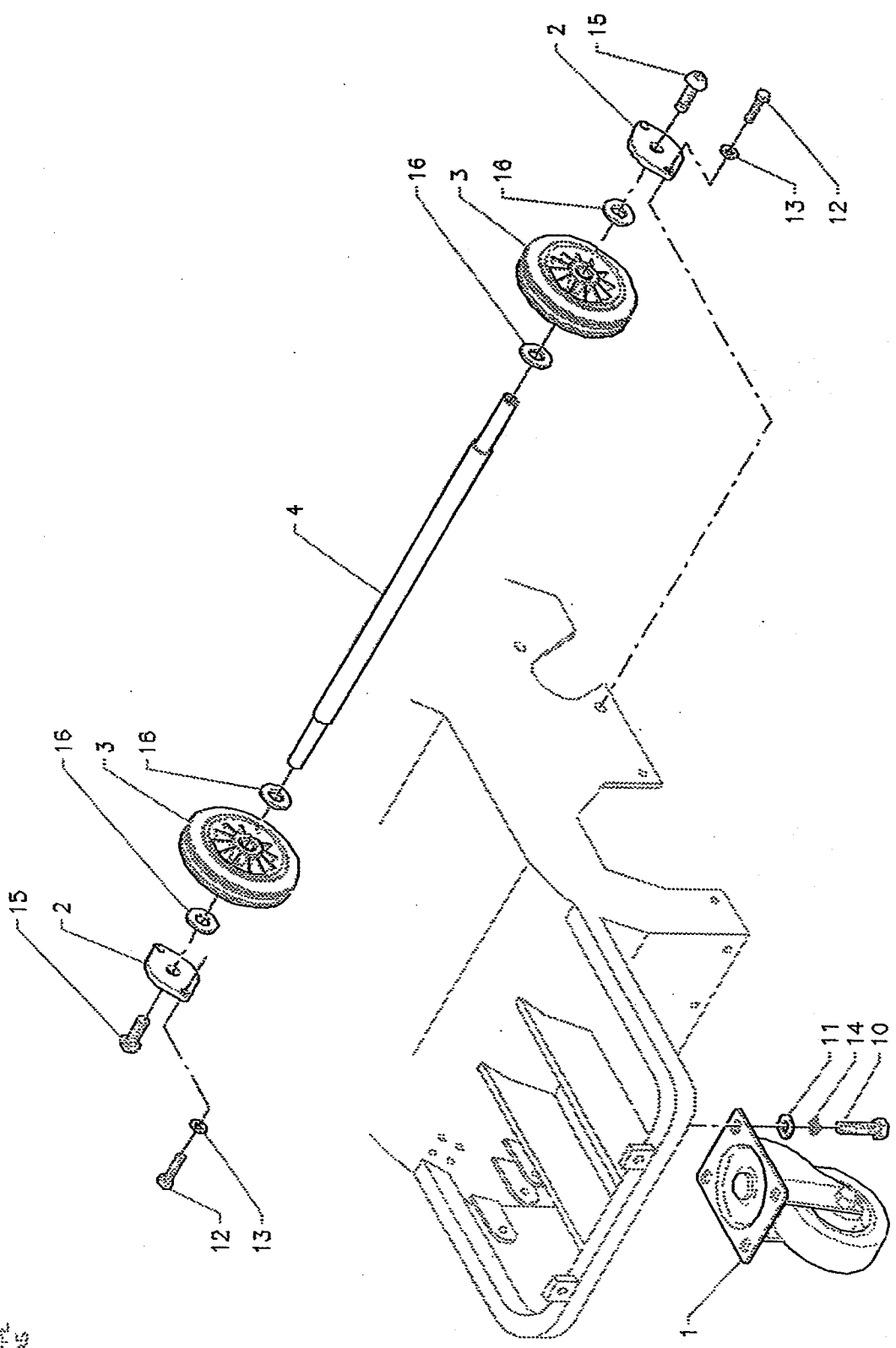


Pos. Mod.	Codice	Q.tà	Denominazione	Denomination	Description	Benennung	Description
1	T0110010	1	CINGHIA A39	BELT	COURROIE	RIEMEN	RIEMEN
2	E9410300	2	PULLEGGIA	PULLEY	POULIE	RIEMENSCHLEIBE	POLEA
3	T0541701	2	SUPPORTO BPFL 203 2	SUPPORT	SUPPORT	HALTERUNG	SOPORTE
4	E9018020	2	DISTANZIALE	SPACER	ENTRETOISE	DISTANZHÜLSE	DISTANCIADOR
5	E7010230	1	RUOTA DX	WHEEL	ROUE	RAD	RUEDA
6	R3817010	1	ALBERO	SHAFT	ARBRE	LENKWELLE	EJE
7	E7010240	1	RUOTA SX	WHEEL	ROUE	RAD	RUEDA
8	E9100330	2	BOCCOLA	BUSHING	BAGUE	BUCHSE	CASQUILLO
9	R3817030	1	SUPPORTO	SUPPORT	SUPPORT	HALTERUNG	SOPORTE
10	E9220010	1	MOLLA	SPRING	RESSORT	FEDER	RESORTE
11	R3817020	1	BRACCIO	ARM	BRAS	ARM	BRAZO
12	T0511001	2	CUSCINETTO 6200 2RS1	BEARING	ROULEMENT	LAGER	COJINETE
13	E9000300	1	DISTANZIALE	SPACER	ENTRETOISE	DISTANZHÜLSE	DISTANCIADOR
14	R3128030	1	PULLEGGIA	PULLEY	POULIE	RIEMENSCHLEIBE	POLEA
15	E9000280	1	DISTANZIALE	SPACER	ENTRETOISE	DISTANZHÜLSE	DISTANCIADOR
16	T4802016	1	LEVA	LEVER	LEVIER	HEBEL	PALANCA
17	R3817070	1	CAVO	CABLE	CABLE	KABEL	CABLE
18	T4802004	1	REGISTRO	ADJUSTER	REGISTRE	REGISTER	REGULADOR
19	R3817080	1	STAFFA	SUPPORT	ATTACHE	HALTERUNG	SOPORTE FIJADOR
20	T4803047	1	MORSETTO	HOLDFAST	ETAU	ZWINGE	ABRAZADERA
21	E7050130	1	RUOTA PIVOTTANTE	CASTOR WHEEL	ROULETTE PIVOTANTE	LENKROLLE	RUEDA PIVOTANTE
41	-	-	VITE M12X20 TBEI ISO 7380	SCREW	VIS	SCHRAUBE	TORNILLO
42	-	-	VITE M8X14 TPSEI UNI 5933	SCREW	VIS	SCHRAUBE	TORNILLO
43	-	-	VITE M8X25 TPSEI UNI 5933	SCREW	VIS	SCHRAUBE	TORNILLO
44	-	-	VITE M8X16 TE UNI 5739	SCREW	VIS	SCHRAUBE	TORNILLO
45	-	-	RONDELLA Ø 6X24 UNI 6593	WASHER	RONDELLE	SCHLEIBE	ARANDELA
46	-	-	RONDELLA Ø 8X17 UNI 6592	WASHER	RONDELLE	SCHLEIBE	ARANDELA
47	-	-	VITE M8X25 TE UNI 5739	SCREW	VIS	SCHRAUBE	TORNILLO
48	-	-	DADO M10 AUTOBL. UNI 7474	NUT	ECROU	MUTTER	TUERCA
49	-	-	RONDELLA Ø 10X21 UNI 6592	NUT	ECROU	MUTTER	TUERCA
50	-	-	DADO M5 UNI 6588	NUT	ECROU	MUTTER	TUERCA
51	-	-	VITE M5X70 TTDE UNI 5732	SCREW	VIS	SCHRAUBE	TORNILLO
52	-	-	VITE M10X65 TE UNI 5737	SCREW	VIS	SCHRAUBE	TORNILLO
53	-	-	RONDELLA Ø 8 GROWER	WASHER	RONDELLE	SCHLEIBE	ARANDELA
54	-	-	RONDELLA Ø 6X12 UNI 6592	WASHER	RONDELLE	SCHLEIBE	ARANDELA
55	-	-	DADO M8 AUTOBL. UNI 7474	NUT	ECROU	MUTTER	TUERCA
56	-	-	RONDELLA Ø 8X24 UNI 6592	WASHER	RONDELLE	SCHLEIBE	ARANDELA

GRUPPO RUOTE
WHEELS ASSEMBLY
GROUPE ROUES
RAEDER GRUPE
GRUPO RUEDAS

σ50B - σ50S

08
REV. 0



08 REV. 0

Pos.	Mod.	Codice	Q.tà	Denominazione	Denomination	Description	Benennung	Description
1		E7050080	1	RUOTA PIVOTTANTE	CASTOR WHEEL	ROULETTE PIVOTANTE	LENKROLLE	RUEDA PIVOTANTE
2		R3818100	2	SUPPORTO	SUPPORT	SUPPORT	HALTERUNG	SOPORTE
3		E7010250	2	RUOTA	WHEEL	ROUE	RAD	RUEDA
4		R3818110	1	ALBERO	SHAFT	ARBRE	LENKWELLE	EJE
10		-	-	VITE M8X25 TE UNI 5739	SCREW	VIS	SCHRAUBE	TORNILLO
11		-	-	RONDELLA Ø 8X17 UNI 6592	WASHER	RONDELLE	SCHRAUBE	ARANDELA
12		-	-	VITE M8X16 TE UNI 5739	SCREW	VIS	SCHRAUBE	TORNILLO
13		-	-	RONDELLA Ø 6X12 UNI 6592	WASHER	RONDELLE	SCHRAUBE	ARANDELA
14		-	-	RONDELLA Ø 8 GROWER	WASHER	RONDELLE	SCHRAUBE	ARANDELA
15		-	-	VITE M12X20 TBEI ISO 7380	SCREW	VIS	SCHRAUBE	TORNILLO
16		-	-	RONDELLA Ø 20X37 UNI 6592	WASHER	RONDELLE	SCHRAUBE	ARANDELA